

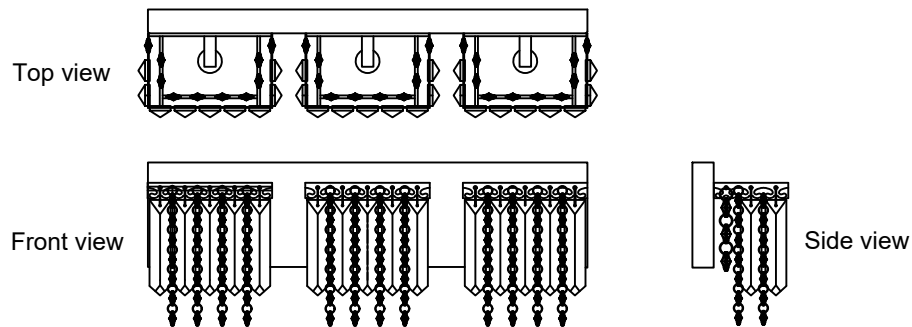
# USER MANUAL

## CAUTION

1. Rated 110~130V/60Hz, bulb 2.5W maximum.
2. Care should be taken to avoid damage to the surface of lighting and wire. Wearing gloves are recommended when installing.
3. Keep lighting away from acid, alkali and other corrosive chemical or gas, clean the lighting with clean soft cloth only.
4. Installation must be carried out by qualified electrician only.
5. Disconnect the power before installing, cleaning and replacing lighting.
6. Never cover the lighting when power is connected.

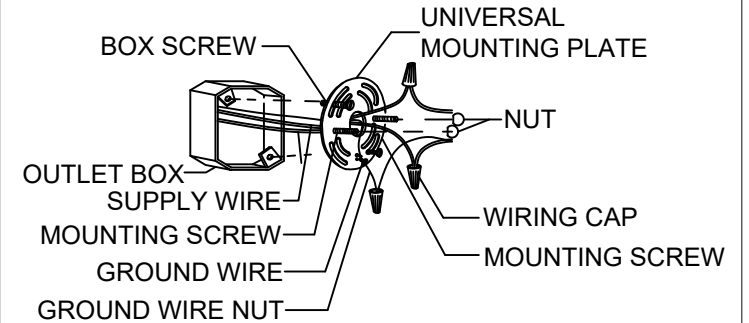
## MISE EN GARDE

1. Évalué 110 ~ 130V / 60Hz, ampoule 2.5W maximum.
2. Des précautions doivent être prises pour éviter d'endommager la surface de l'éclairage et du fil. Le port de gants est recommandé lors de l'installation.
3. Gardez l'éclairage éloigné de l'acide, des alcalis et d'autres produits chimiques ou gaz corrosifs, nettoyez l'éclairage uniquement avec un chiffon doux et propre.
4. L'installation doit être effectuée uniquement par un électricien qualifié.
5. Débranchez l'alimentation avant d'installer, de nettoyer et de remplacer l'éclairage.
6. Ne couvrez jamais l'éclairage lorsque l'alimentation est connectée.

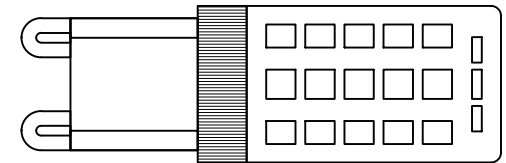


## The wiring connection of luminaire and outlet box

There are two main wires. One is in black and the other is in white. Be sure to connect, the black wire (positive electrode) to the outlet box wire (positive electrode), the white wire (negative electrode) to the outlet box wire (negative electrode) and the copper fixture ground wire to the supply ground wire with wire connectors.



Requires G9 LED 2.5W bulb (not included)



# INSTRUCTION

1A. Lock the crossbar on the junction box of the wall by using 2 pcs of 5/32 screws in the accessories bag.

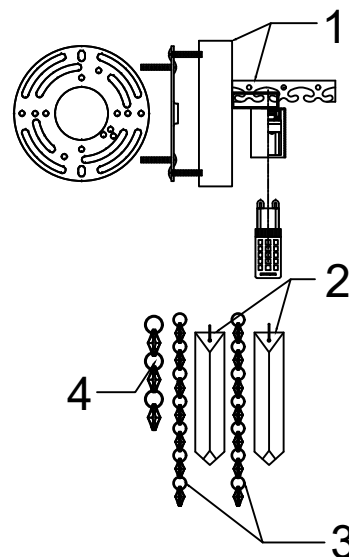
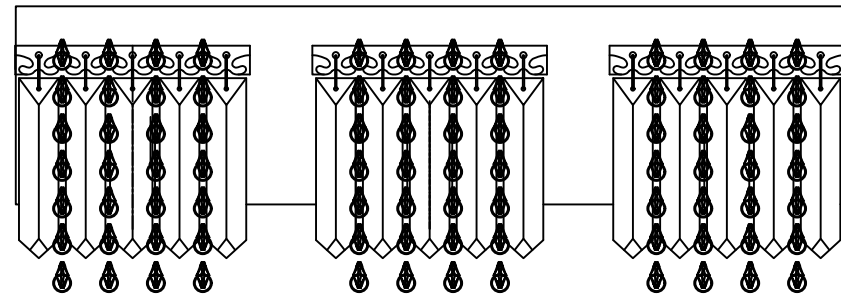
1B. Connect the wires. The black wire is the hot /positive ( + ) wire. The white wire is the negative ( - ) wire.

1C. Cover the wall plate and attach the screws to the wall plate.

3. Hang the crystals (part #2, part #3 and part #4) from part #1.

2. Put the light bulbs (not included) in the light sockets one by one.

Please note: The parts in this table are completely unassembled, for illustrative purpose. In the actual product that you receive, some parts are assembled and attached together.



Part Number	Picture	Quantity
1		1
2		27
3		24
4		6
spare parts		1
		5