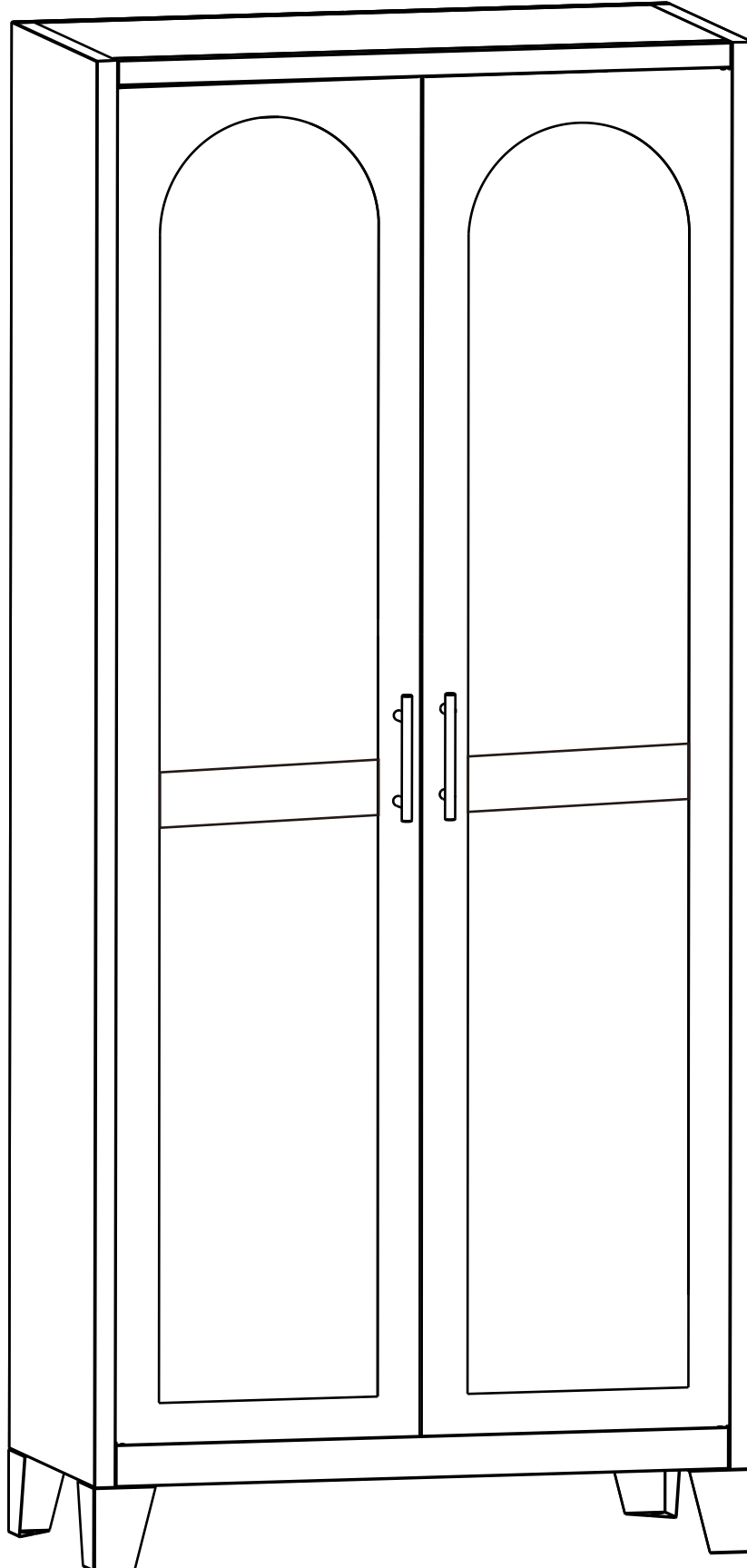


Assembling Guide

Thank you for choosing our product!





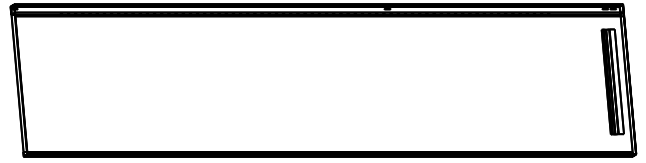
Thank you for lighting up another coordinate of our product on the map. We are committed to creating high-quality home living, making every household filled with warmth and comfort.



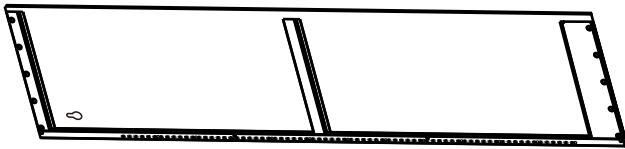
A x1 Left Panel



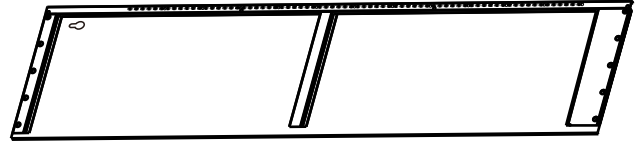
B x1 Right Panel



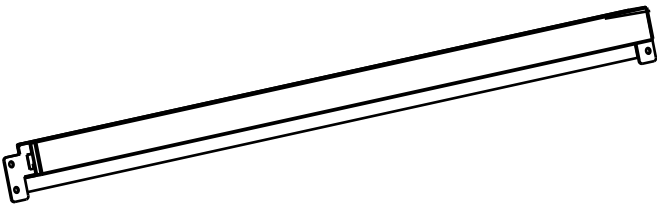
C x1 Left Back Panel



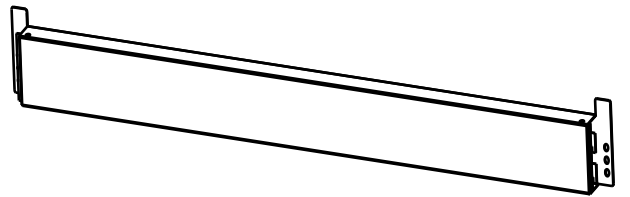
D x1 Right Back Panel



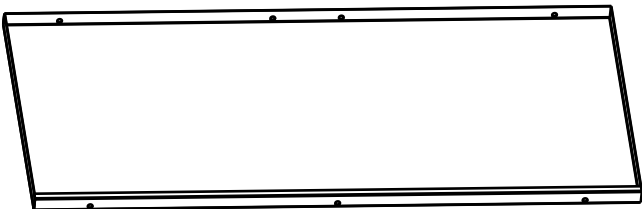
E x1 Top Frame Bar



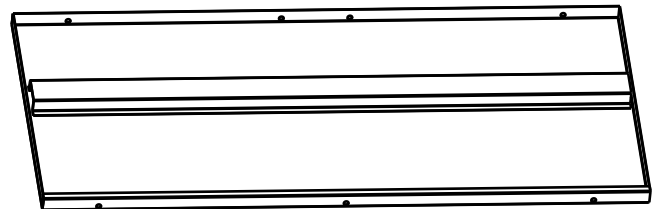
F x1 Bottom Frame Bar (Wider)



G x1 Top Panel



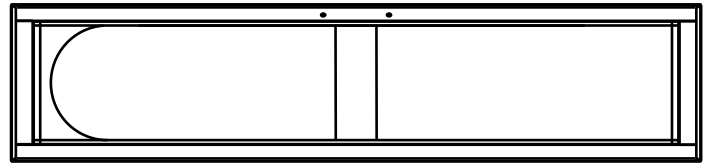
H x1 Bottom Panel



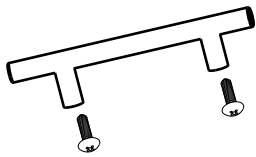
I x4 Shelf



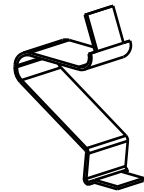
J x2 Door



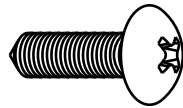
K x2 Handle (contain screws for handle)



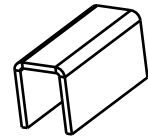
L x16 Shelf Clip



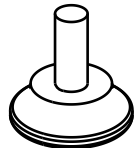
M x54 Screw



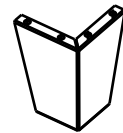
N x16 Shelf Holder



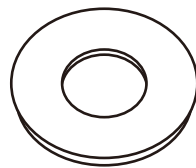
O x4 Adjustable Foot



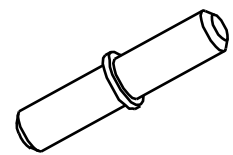
P x4 Foot Stand



Q x8 Gasket



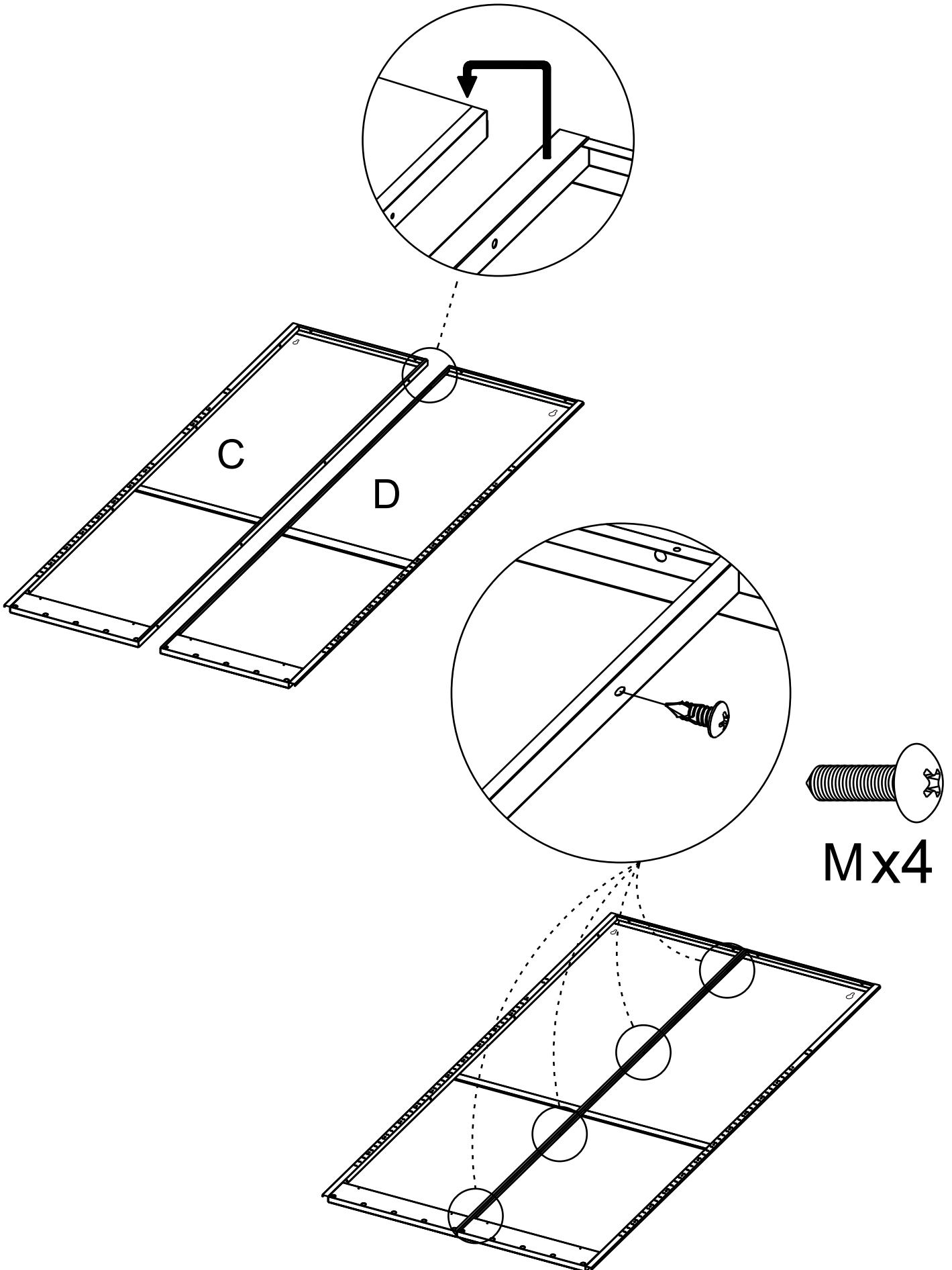
R x2 Hinge



We always provide some extra screws for backup.
Don't worry if you have some left over after installation.

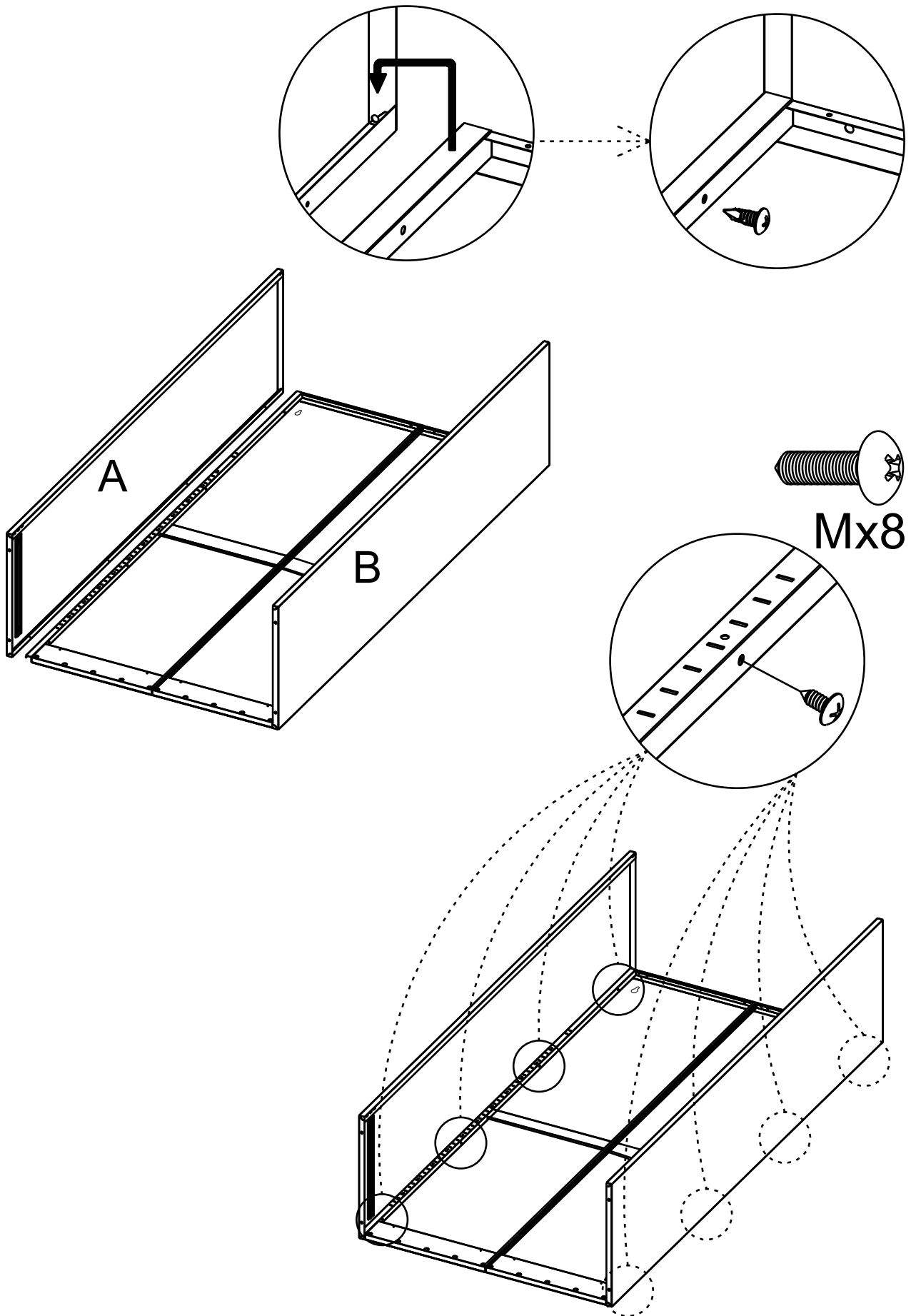
STEP 1 Install the back.

Attach D to C, and secure with 4 M screws.



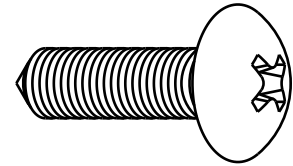
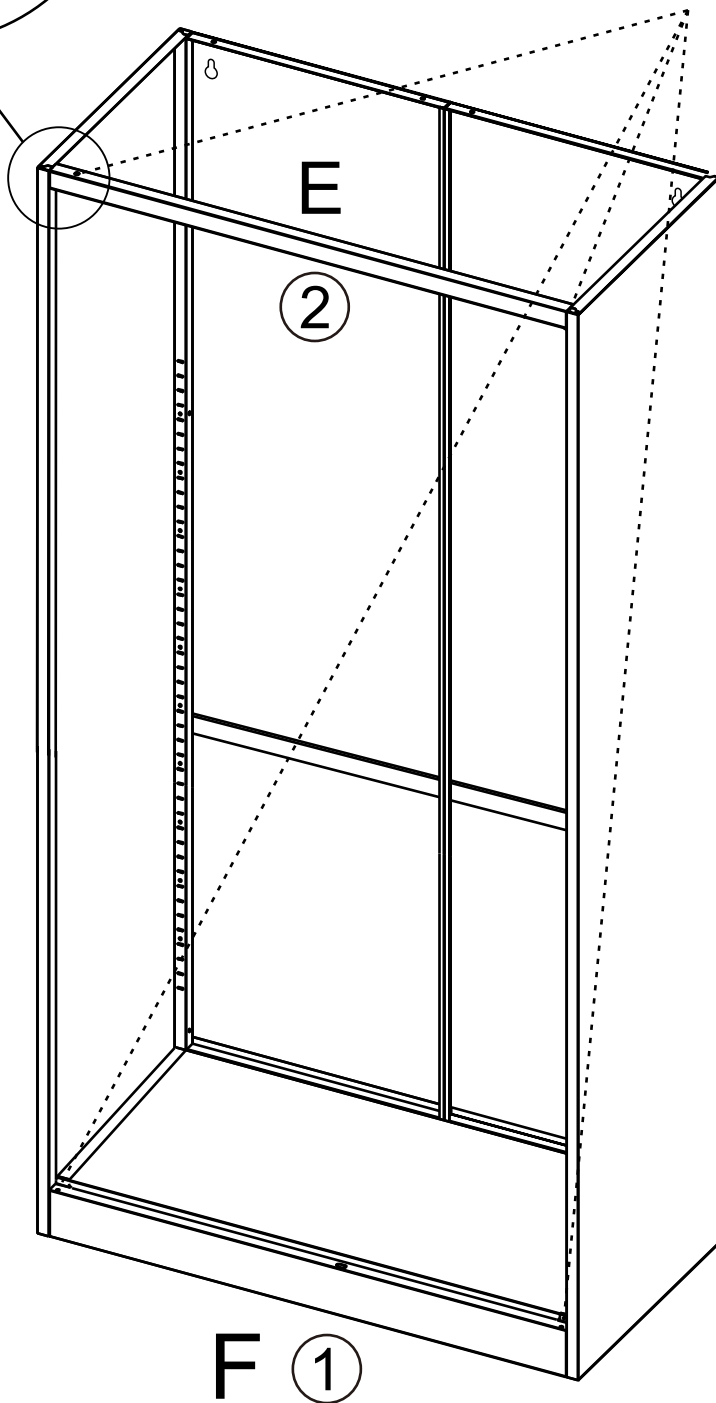
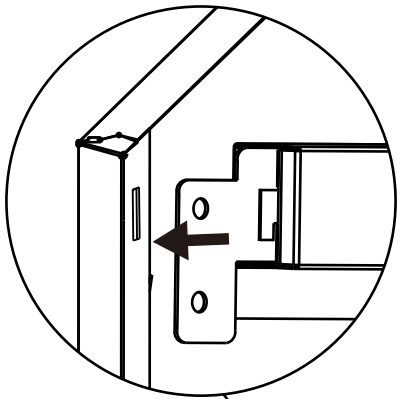
STEP 2 install the sides.

Attach A and B to the back, and secure with 8 M screws.



STEP 3 Install the top , middle and bottom frame bar.

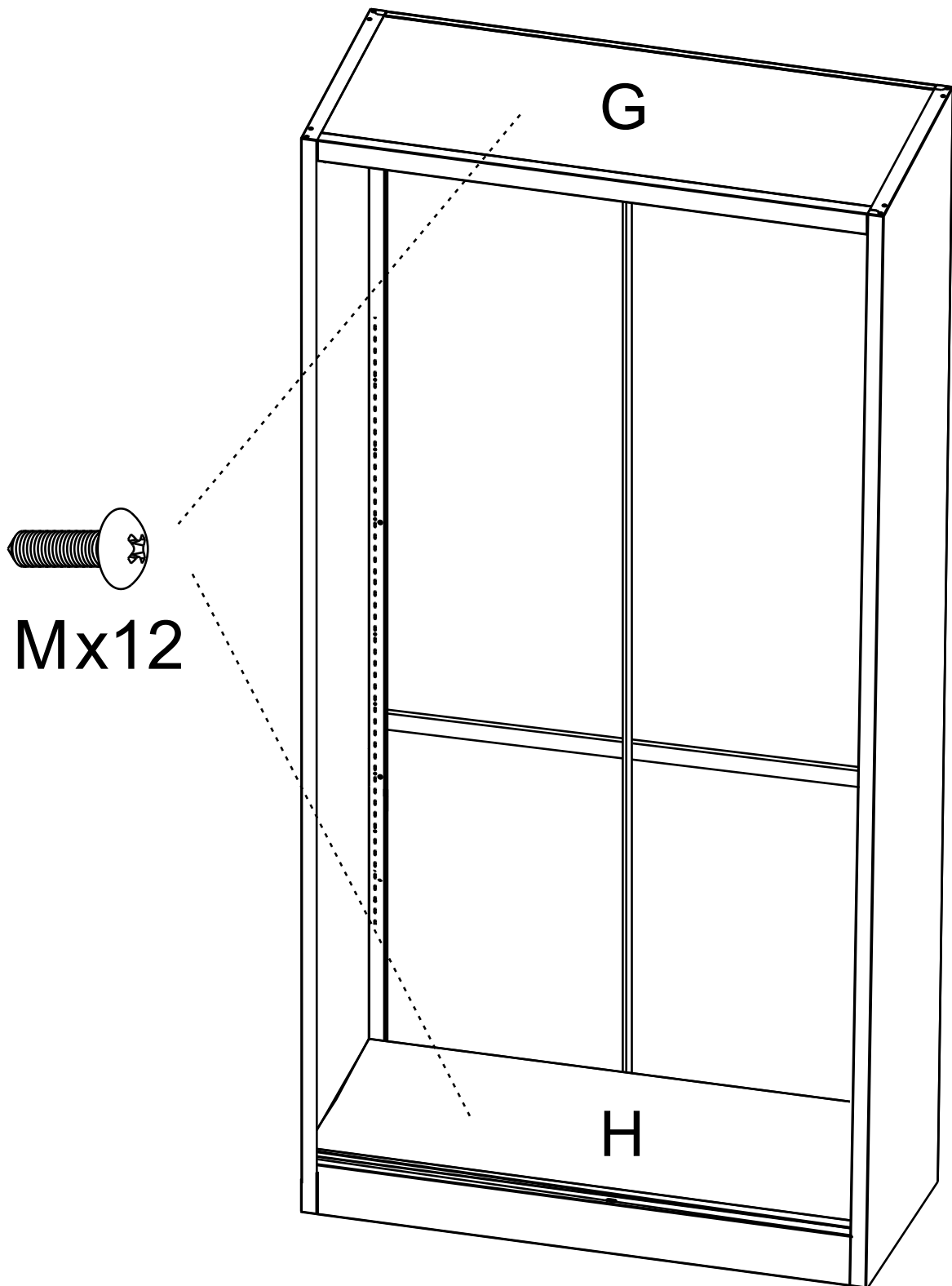
Hook in E and F into sides, and secure with M screws.



Mx10

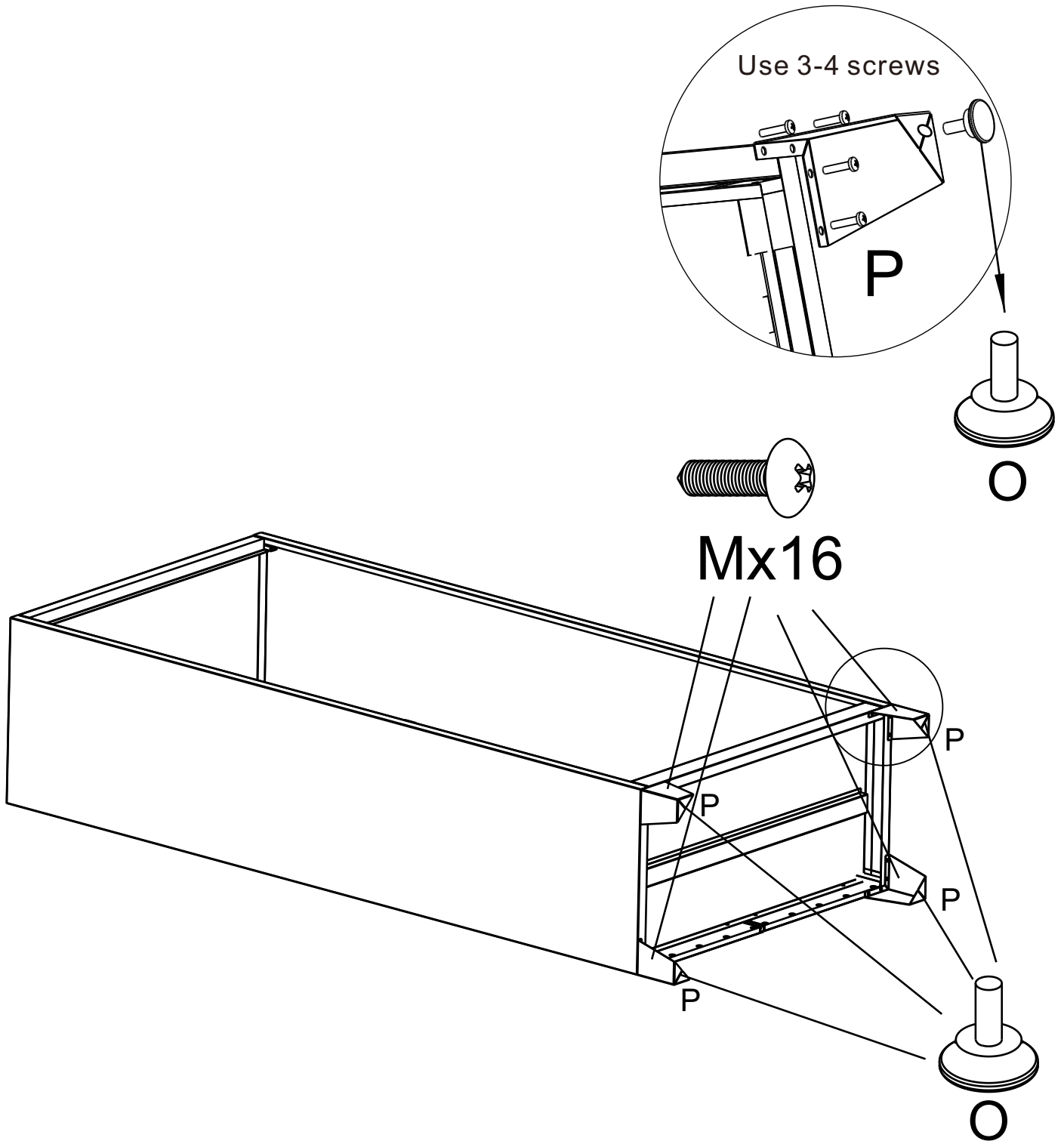
STEP 4 Install the top, middle and bottom panels .

Put H in, lift G up and secure with M screws.



STEP 5 Install the foot stand and adjustable foot.

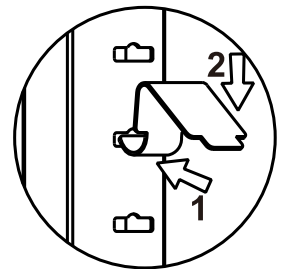
If the height is perfect for you, then no need to install the feet, you can skip this step.



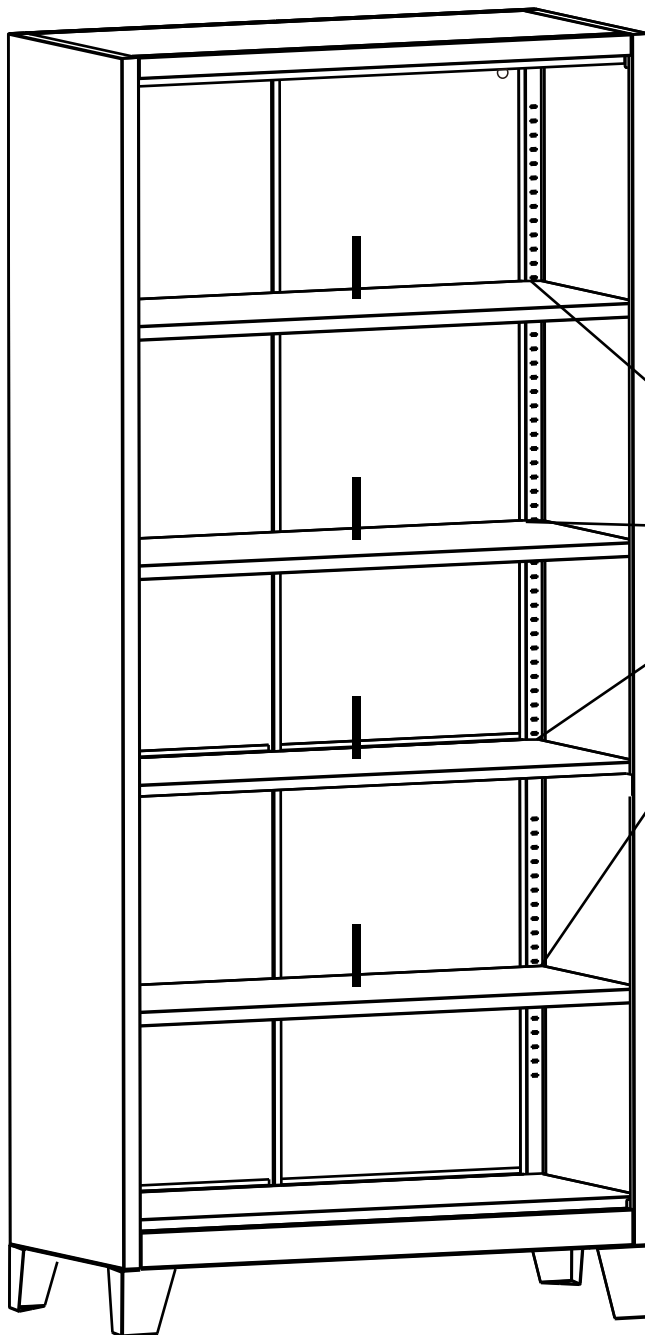
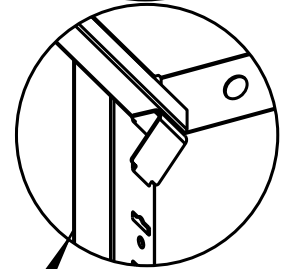
STEP 6 Install the shelf.

First to clip in L and then put I on it, finally use N to secure it.

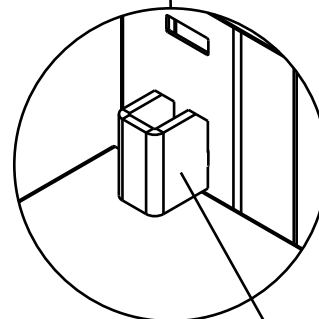
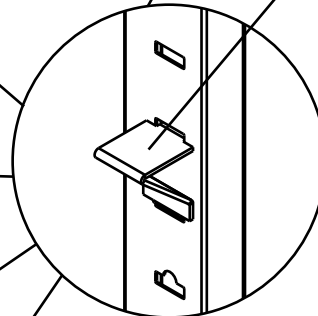
1. Insert bending side first
2. Fall down the flat side to secure



Now shelf can safely sits on it



Lx16



Nx16

STEP 7 Install the doors.

1. First to insert R (you may need to add 1-2 Qs) into the holes on bottom frame bar, put L in.
2. Then press down the top hinge spring to insert the L.

