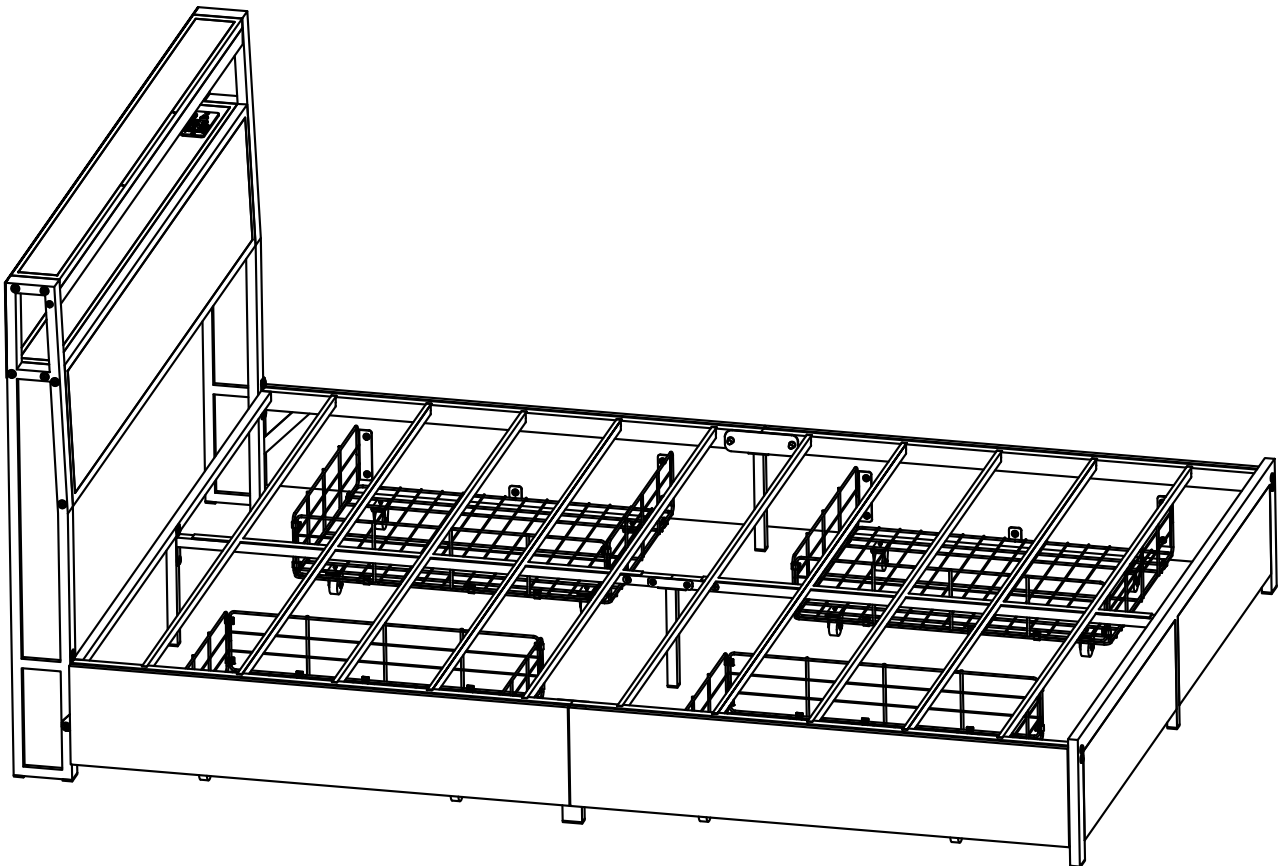
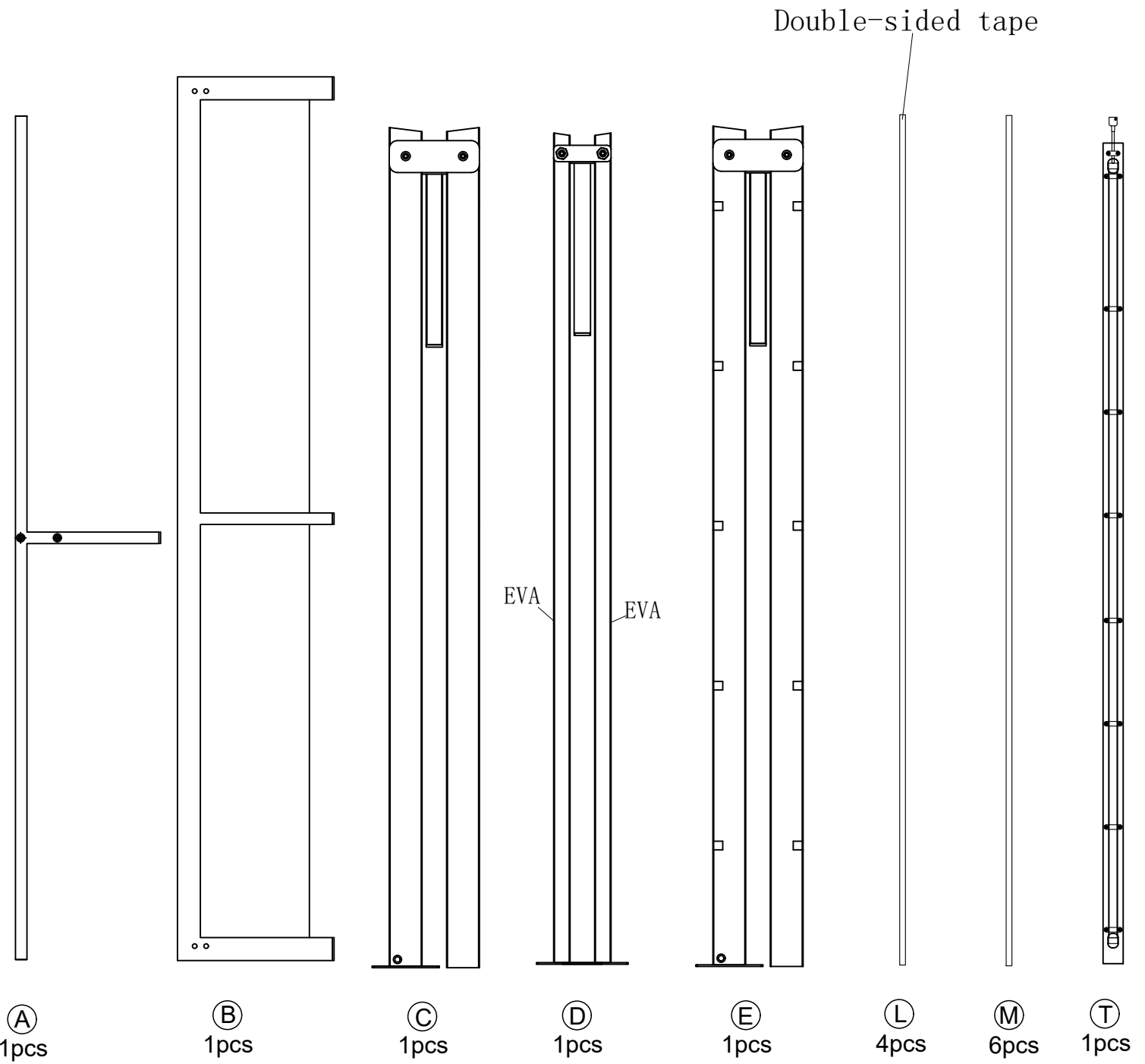


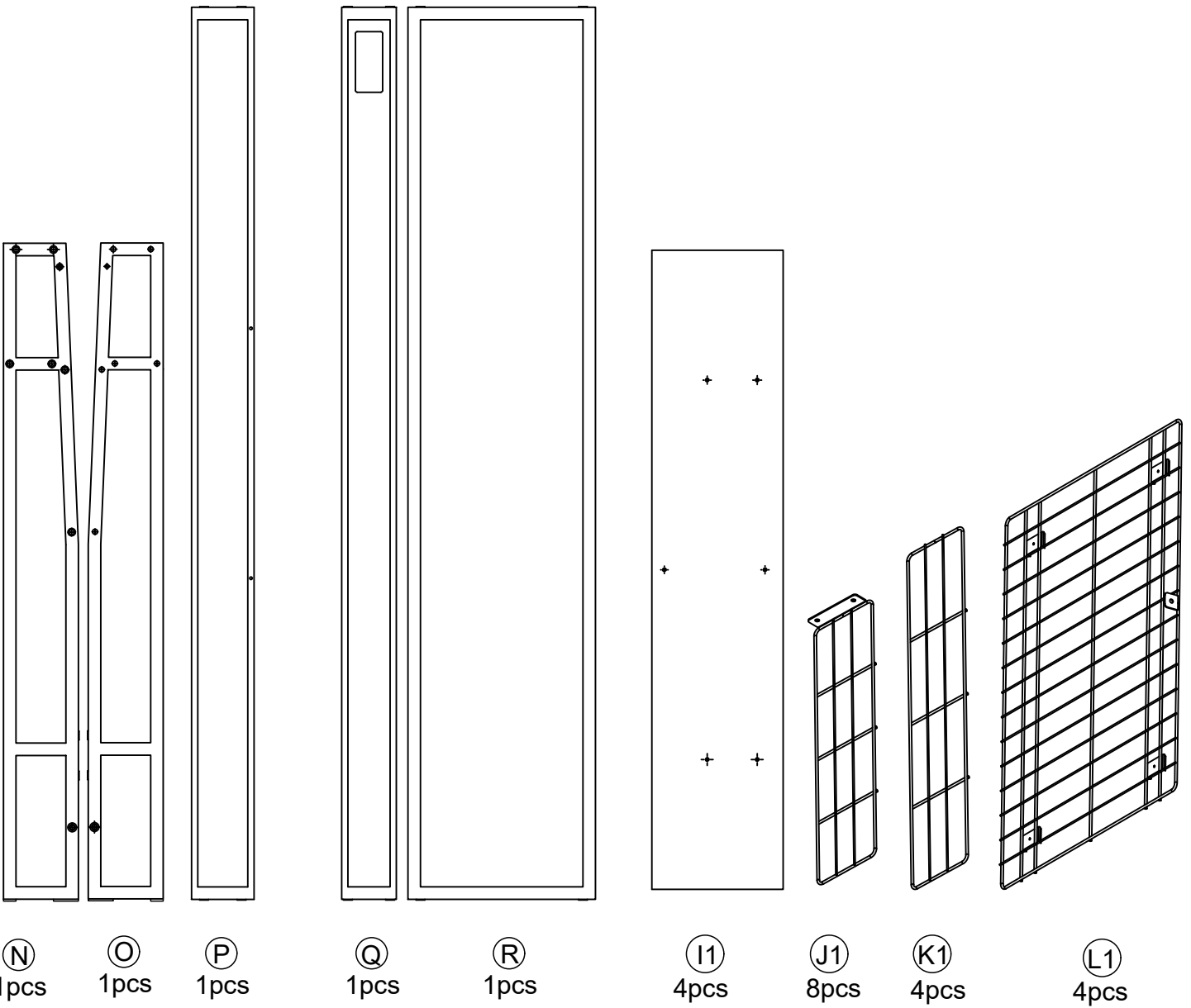
Bed Frame





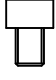


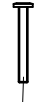

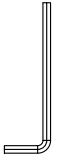



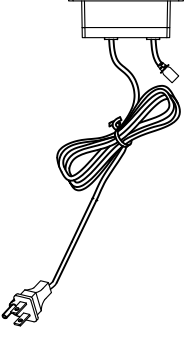
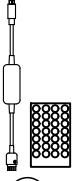


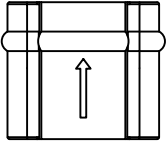
Parts List:



Parts List:



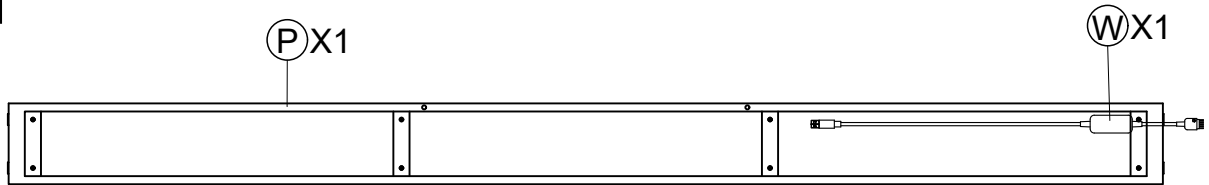
Parts List:

										
M4x6mm	M6x10mm	M6x10mm	M4x10mm	M8x12mm	M6x50mm	M4x30mm		M8x35mm	M8x50mm	M6x35mm
(N1)	(O1)	(P1)	(A1)	(B1)	(G1)	(H1)	(V)	(D1)	(E1)	(F1)
18pcs	20pcs	4pcs	3pcs	12pcs	2pcs	2pcs	1pcs	4pcs	12pcs	2pcs
										
(Z)										
1pcs										
										
(W)										
1pcs										
										
(U)										
2pcs										
										
(M1)										
16pcs										
										
(Q1)										
42pcs										

Thank you for choosing our product, please read this manual carefully before assembling. For any questions, don't hesitate to contact us.

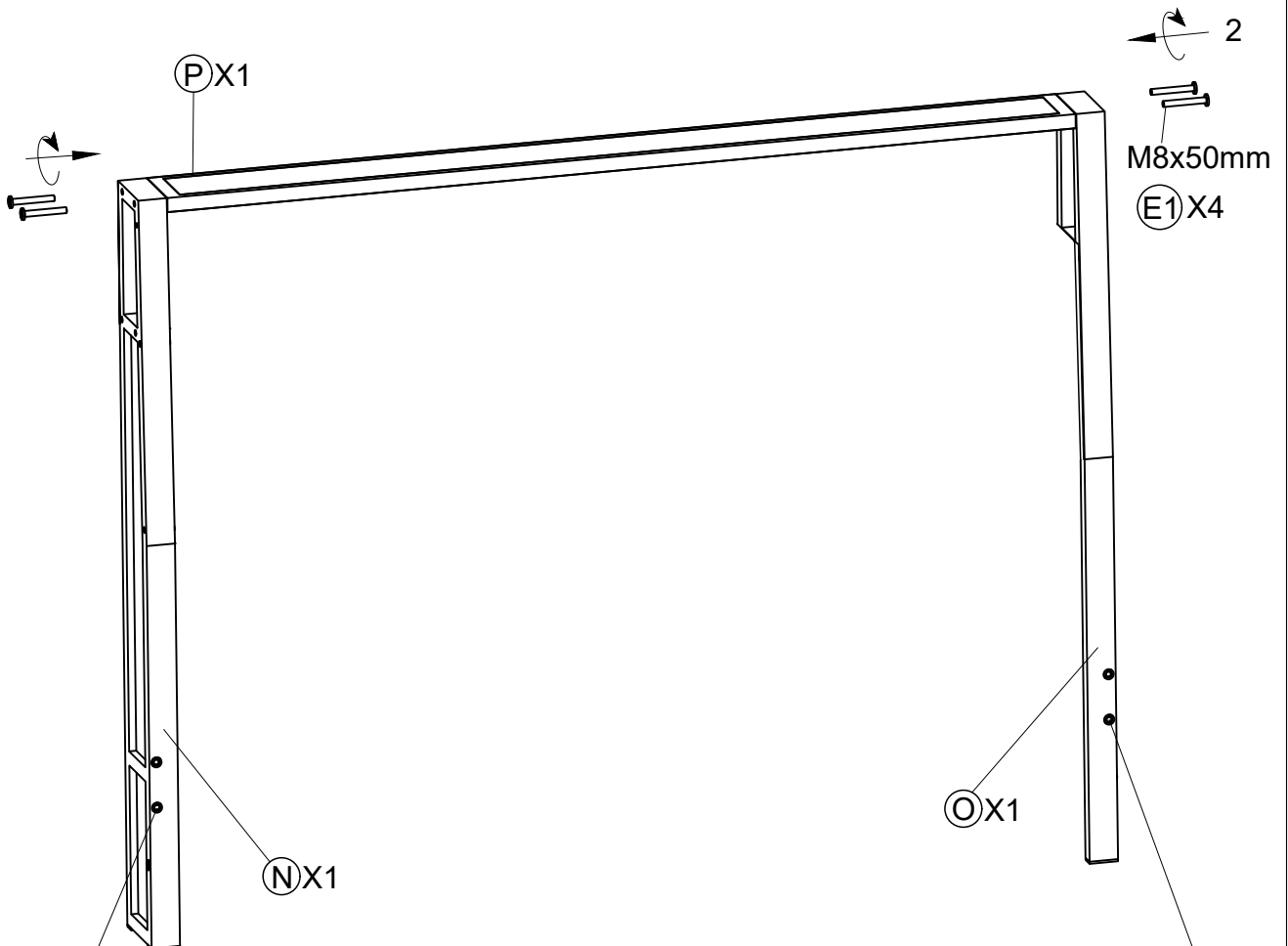
STEP 1

1.1



Tear off the double-sided adhesive tape of the "W" and then stick it to "P"

1.2



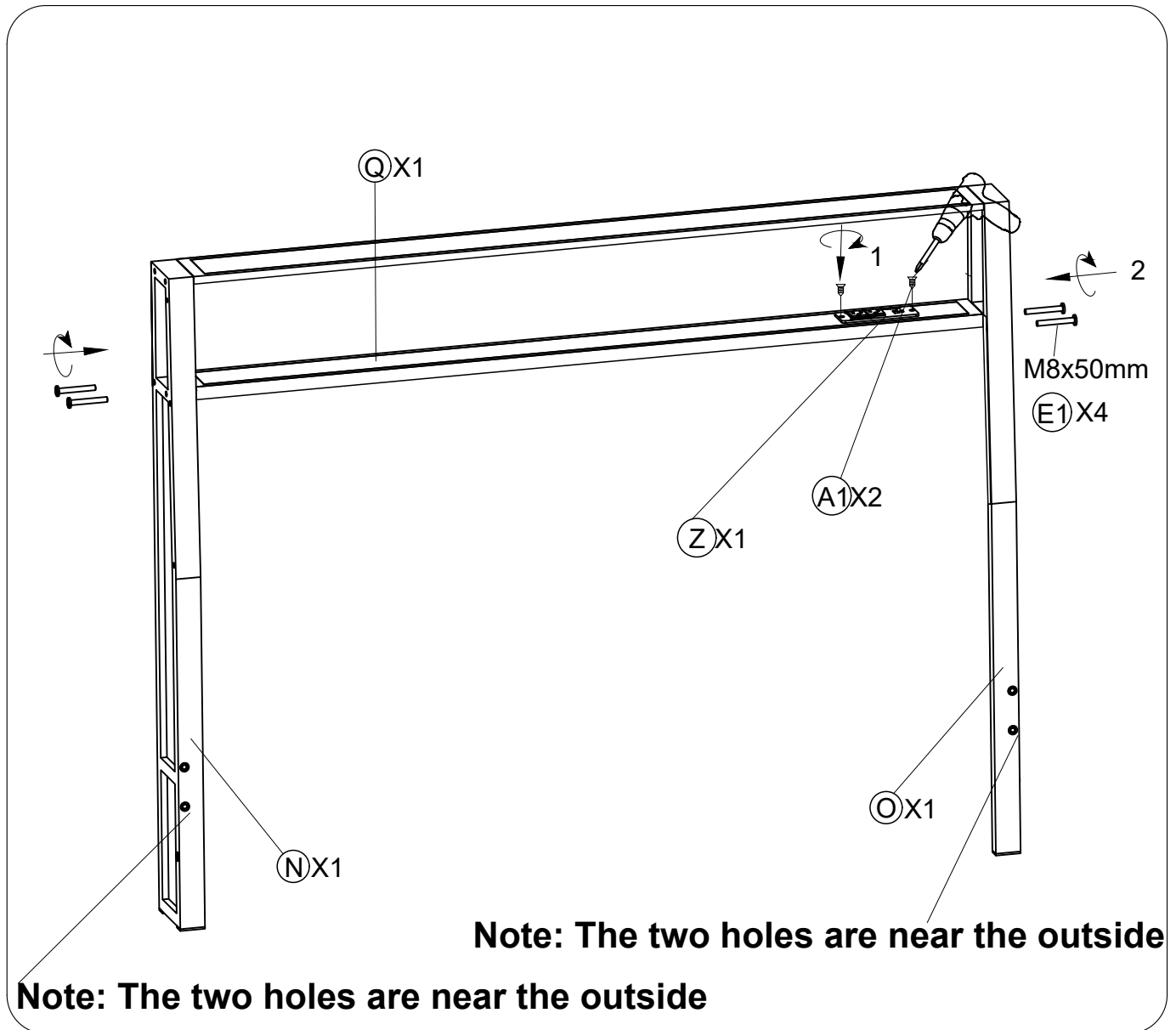
Note: The two holes are near the outside

Note: The two holes are near the outside

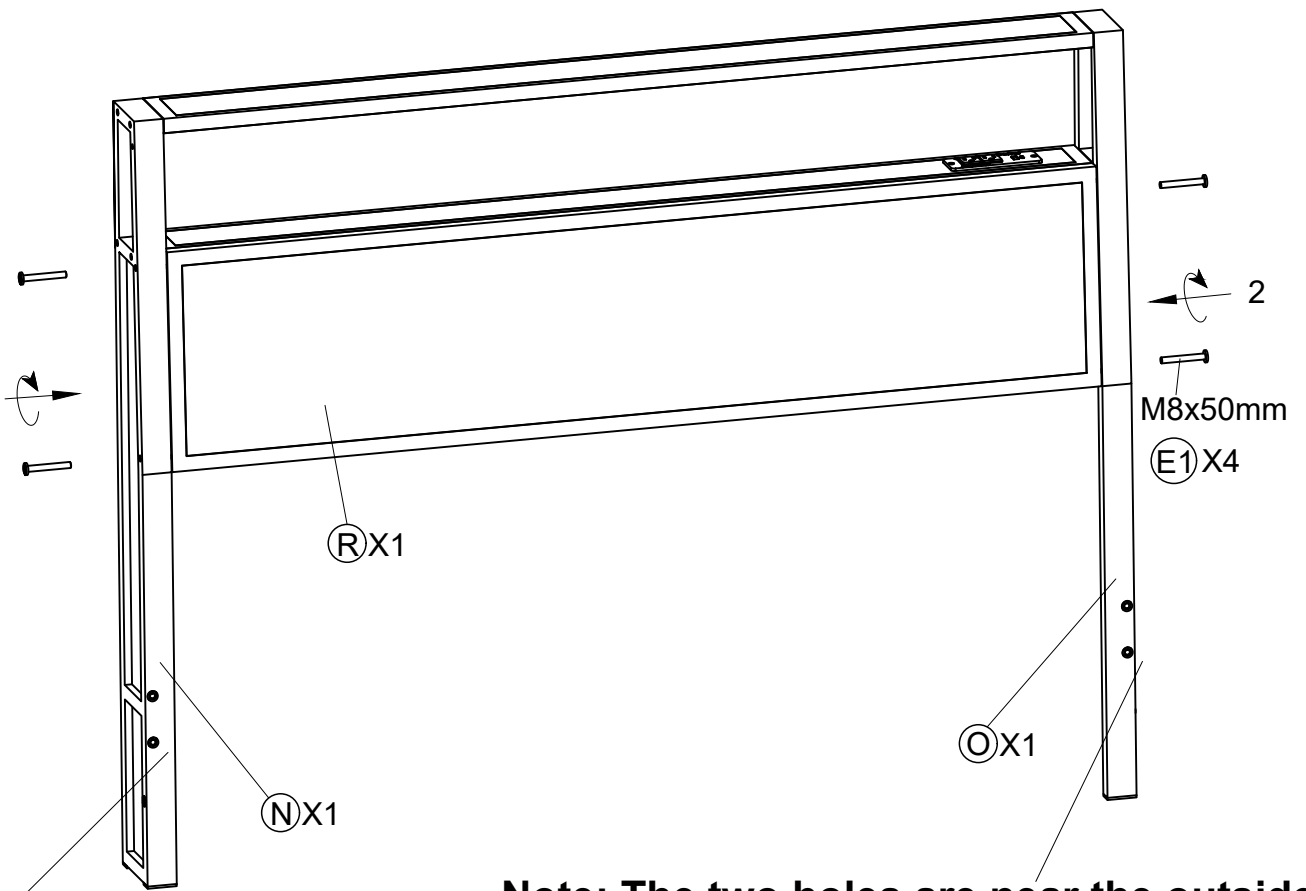
STEP 2

We suggest using drill machine to install A1 screws

*Note: no holes on the board is normal



STEP 3

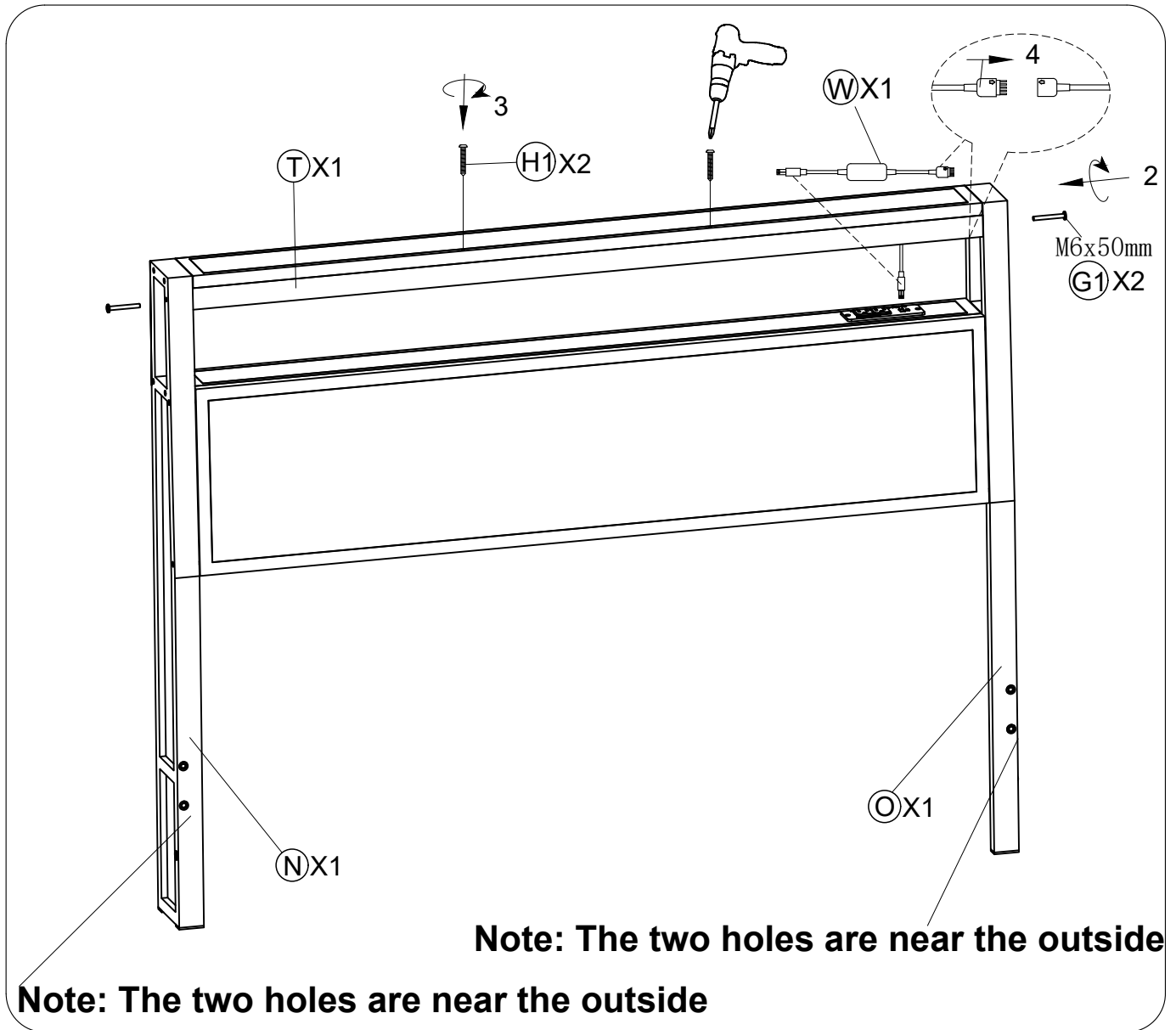


Note: The two holes are near the outside

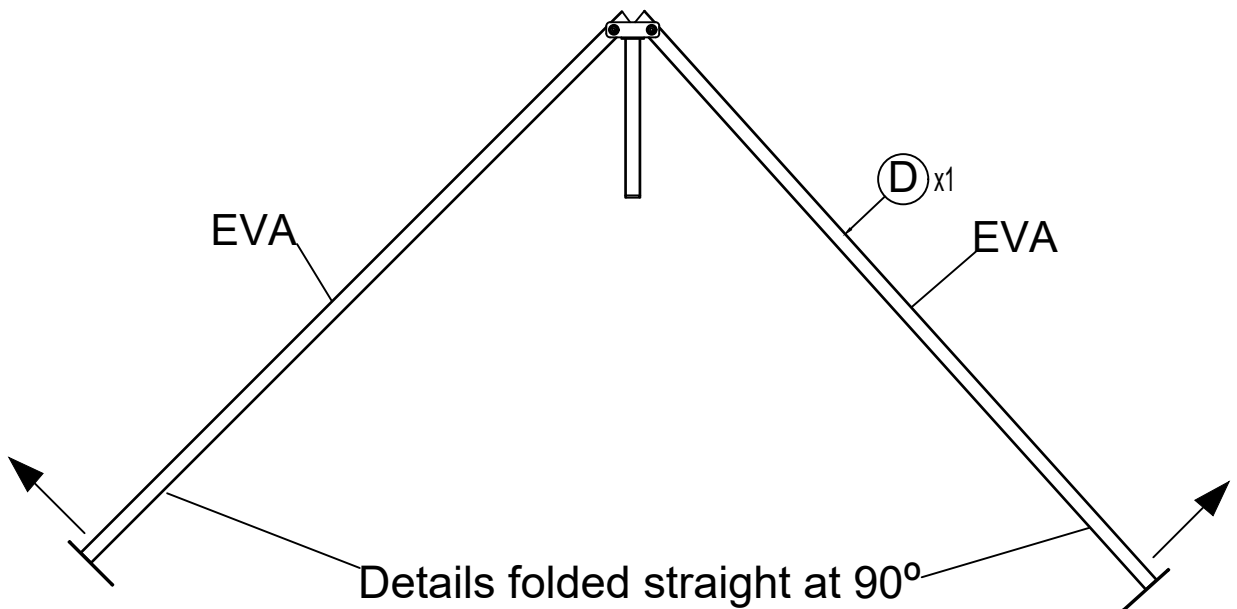
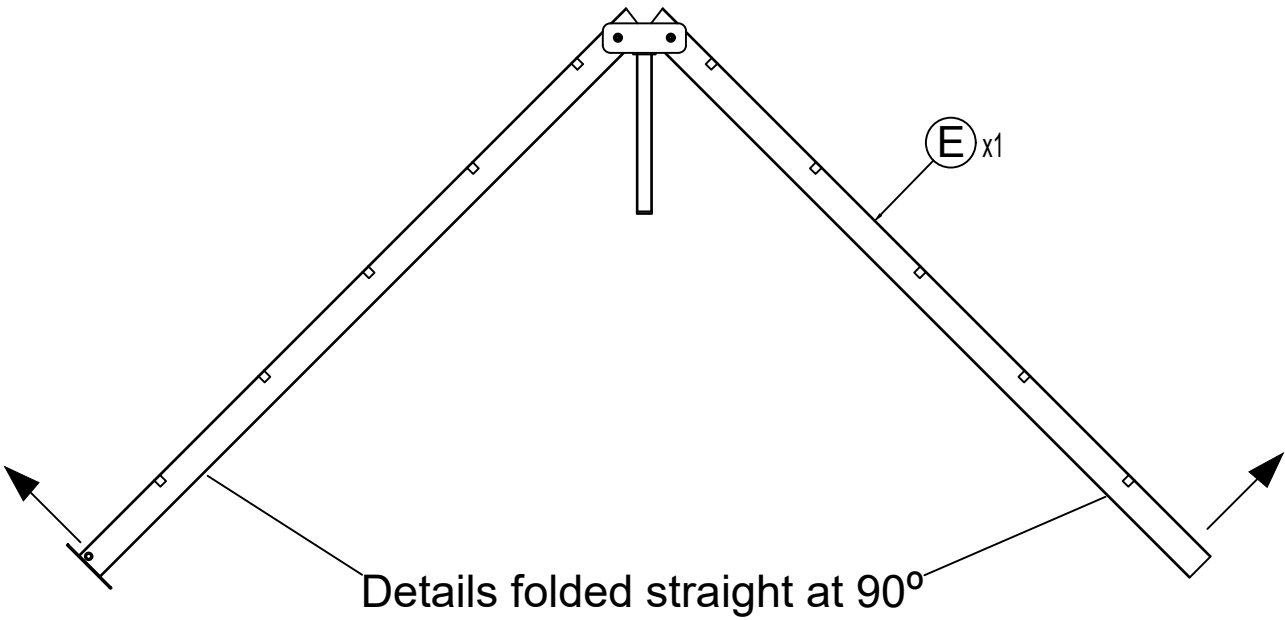
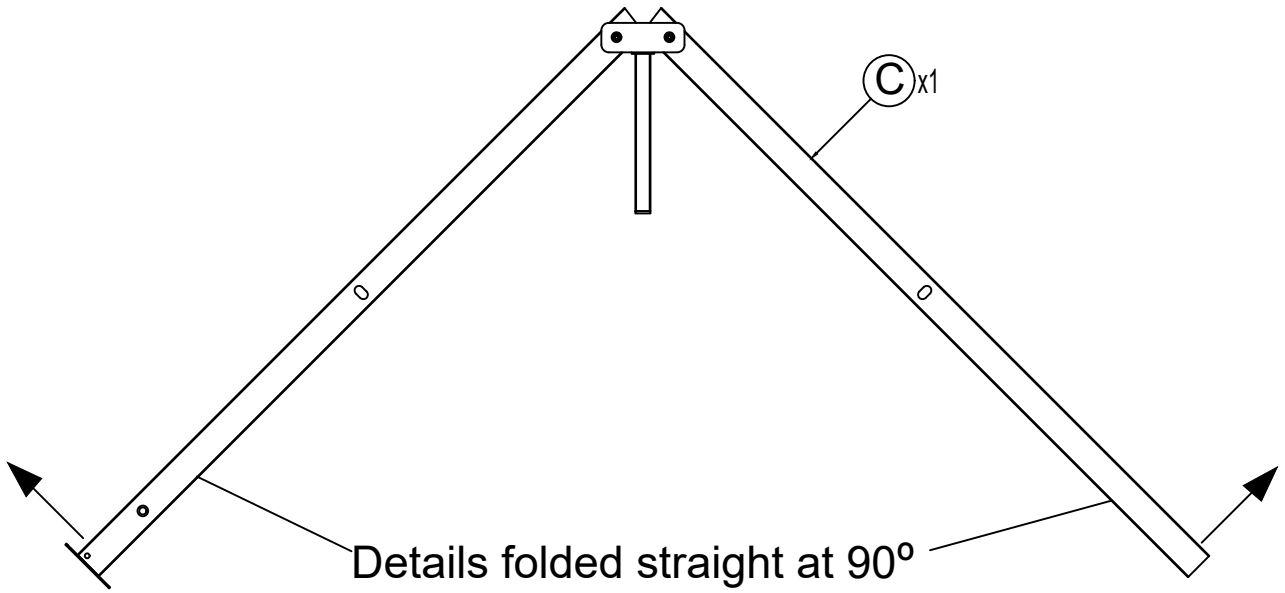
Note: The two holes are near the outside

STEP 4

We suggest using drill machine to install H1 screws

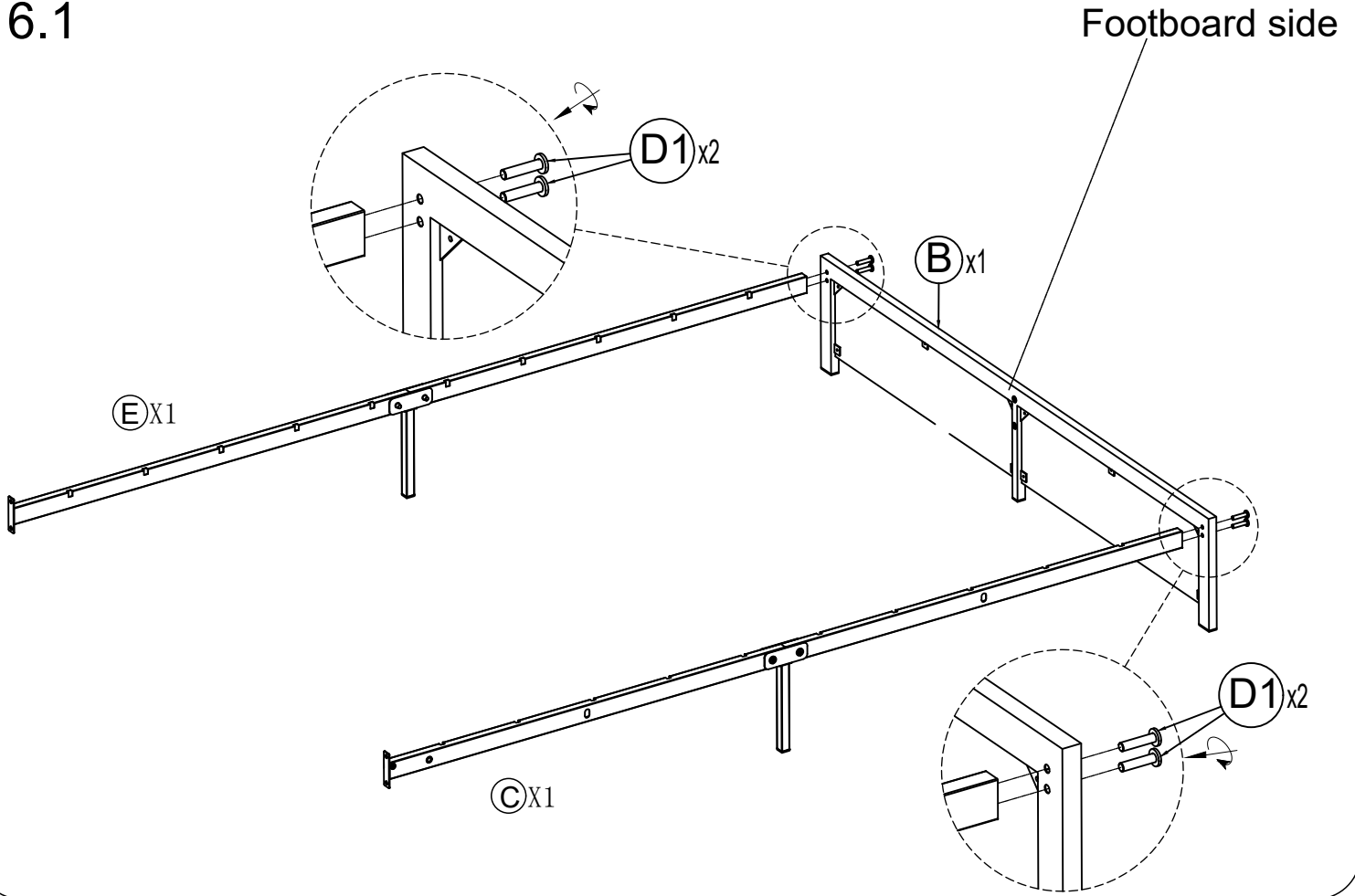


STEP 5

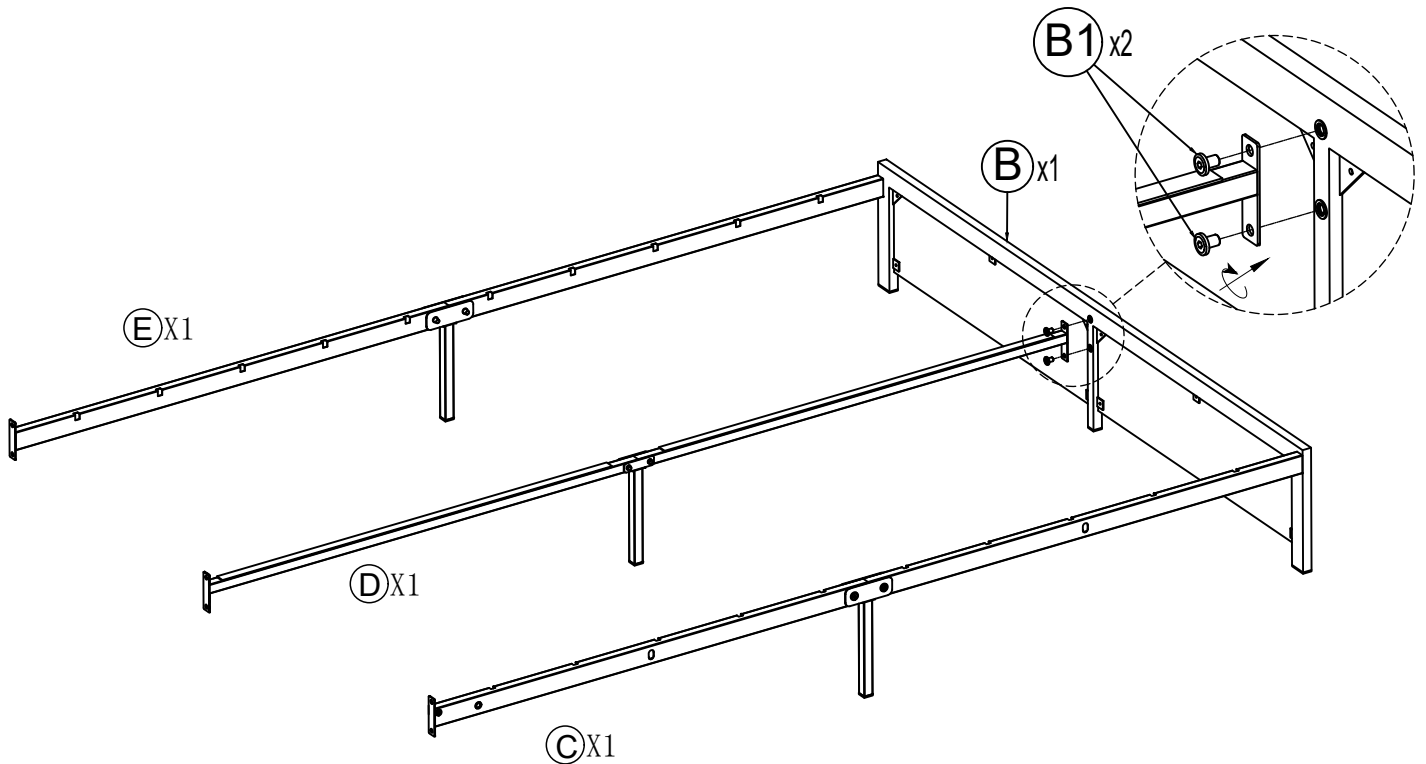


STEP 6

6.1

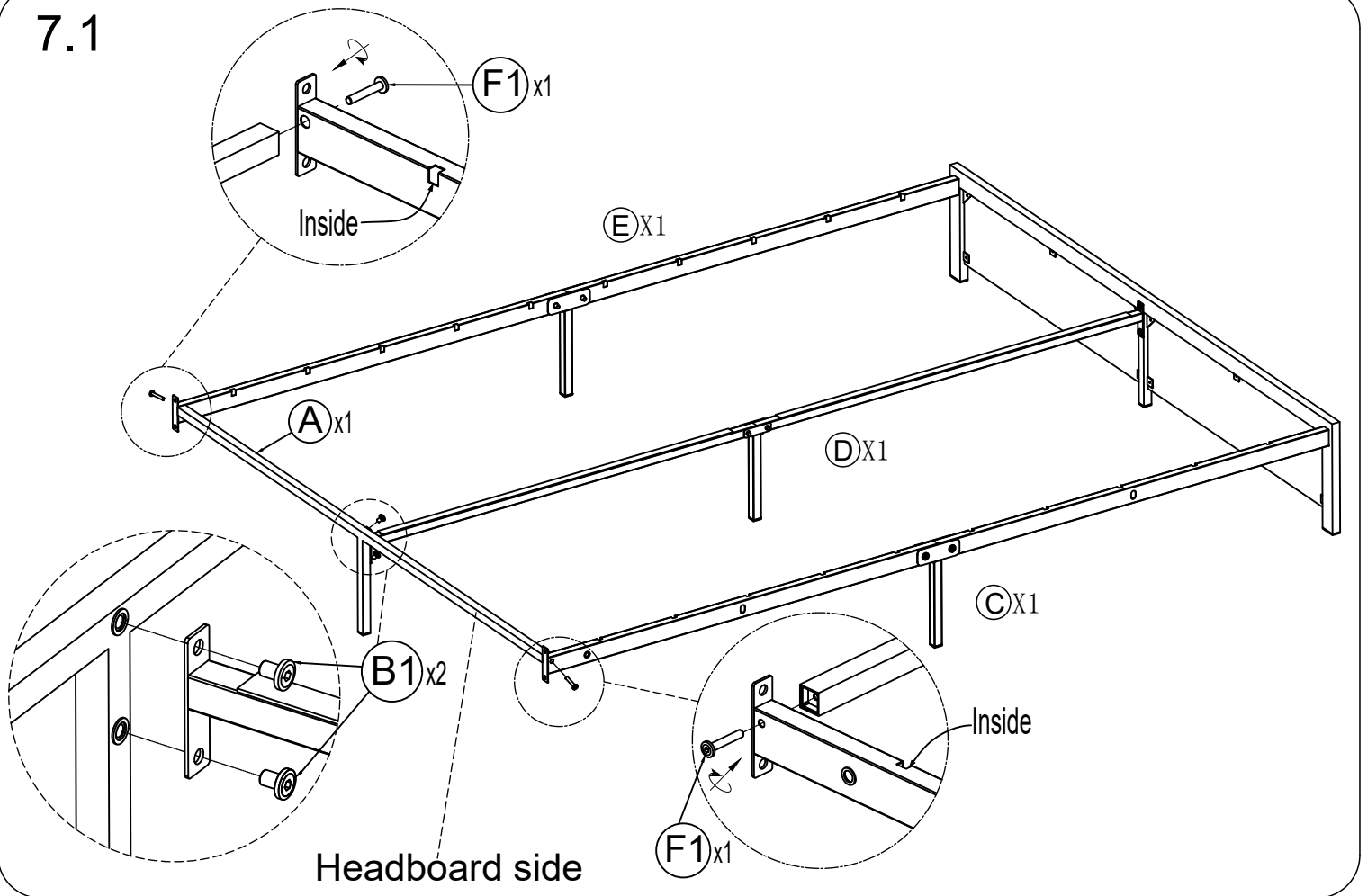


6.2

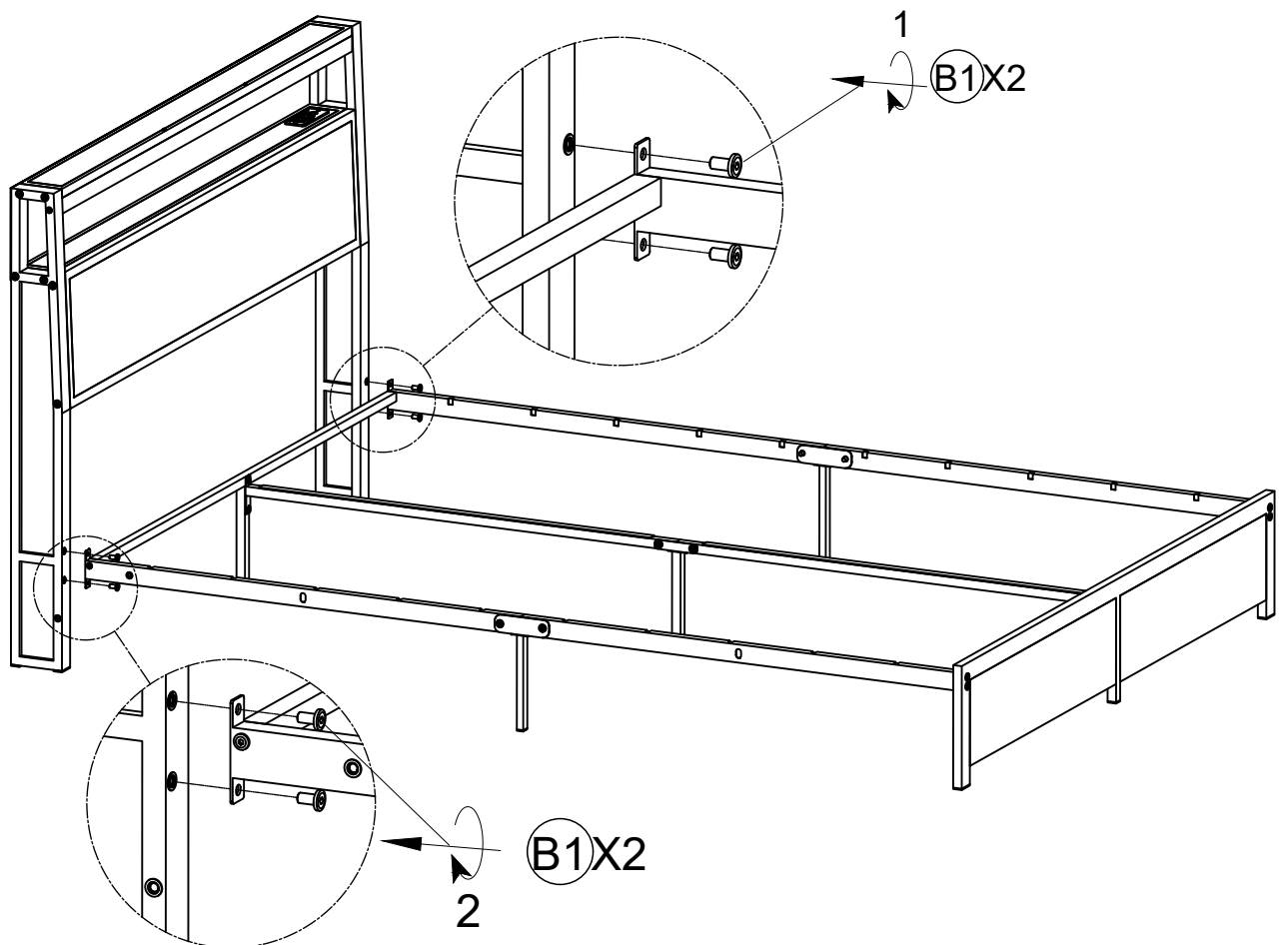


STEP 7

7.1

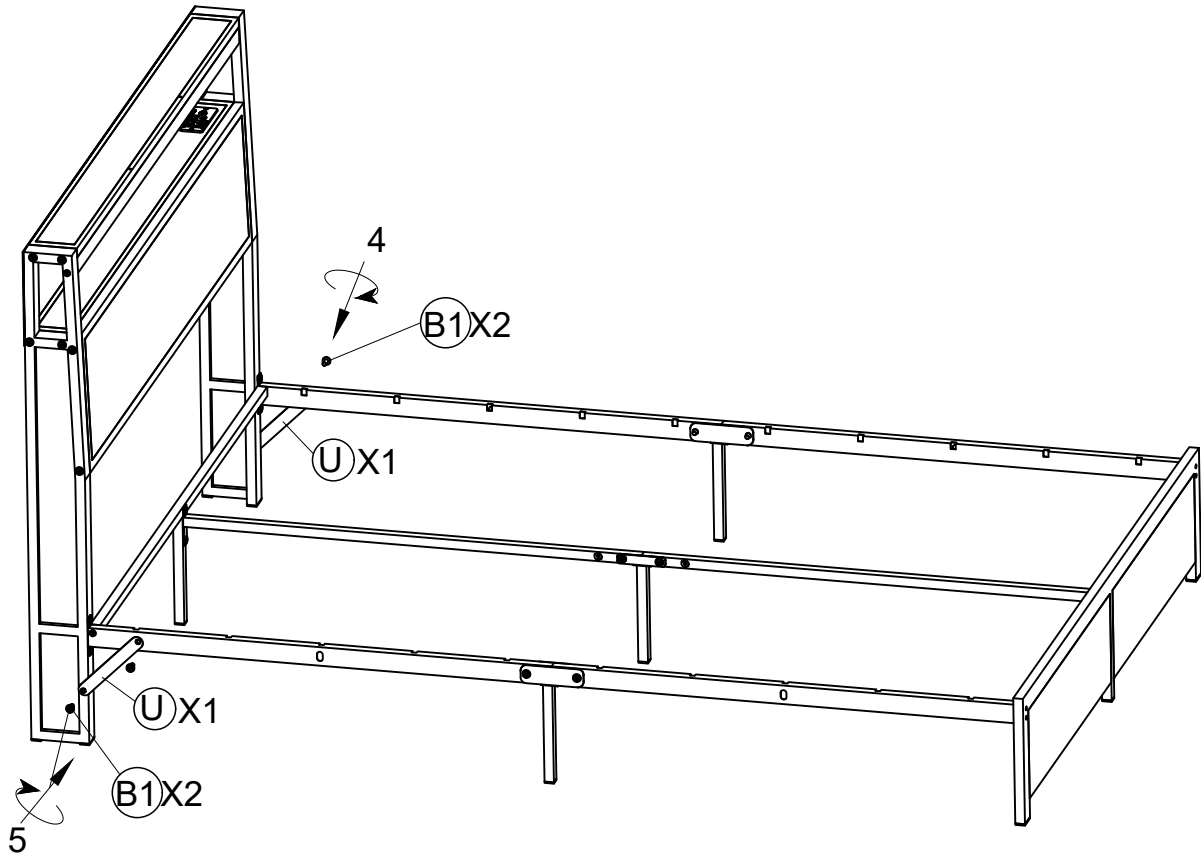


7.2

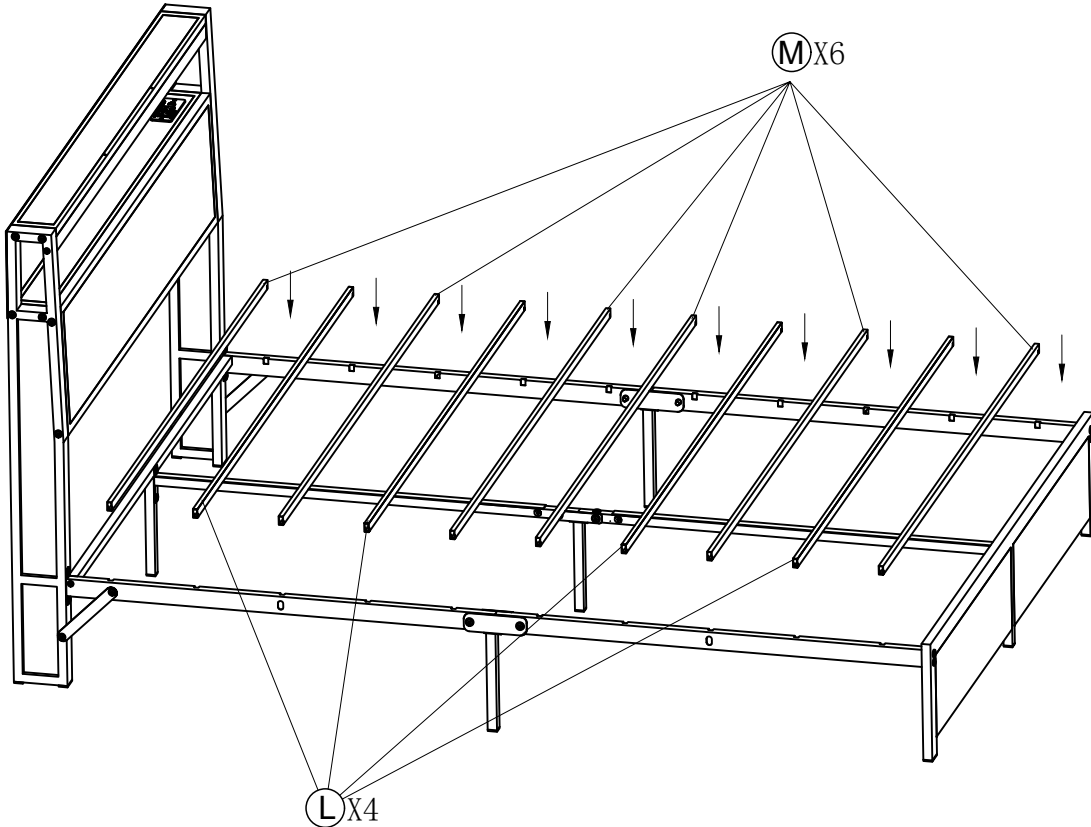


STEP 8

8.1



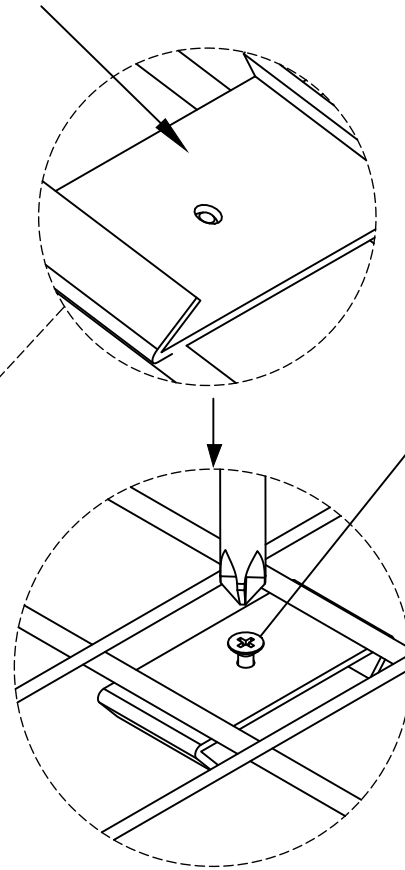
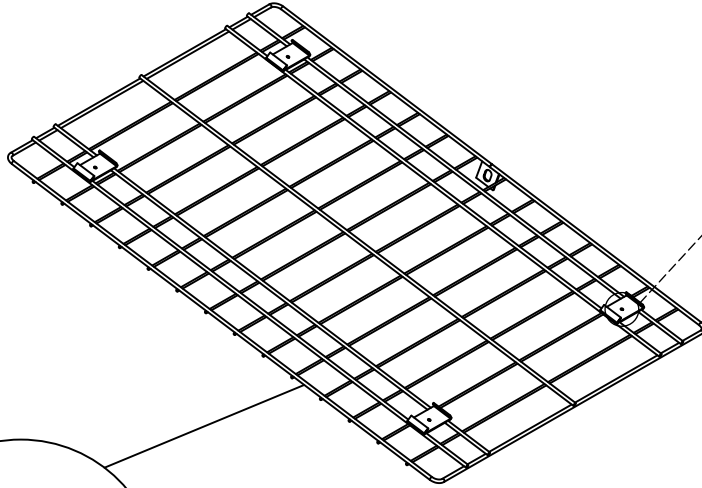
8.2



Tear off the double-sided adhesive tape before place the mattress.

STEP 9

Put all the screw in but not tighten, don't let the screws get through all the wheel's holder"



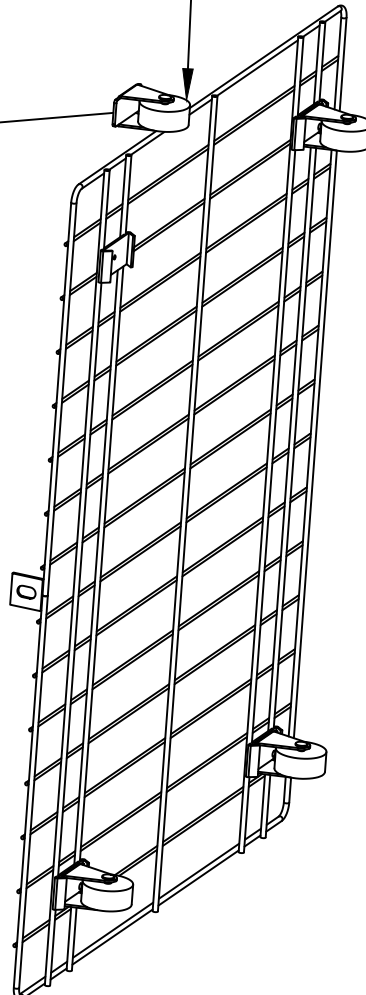
N1

L1

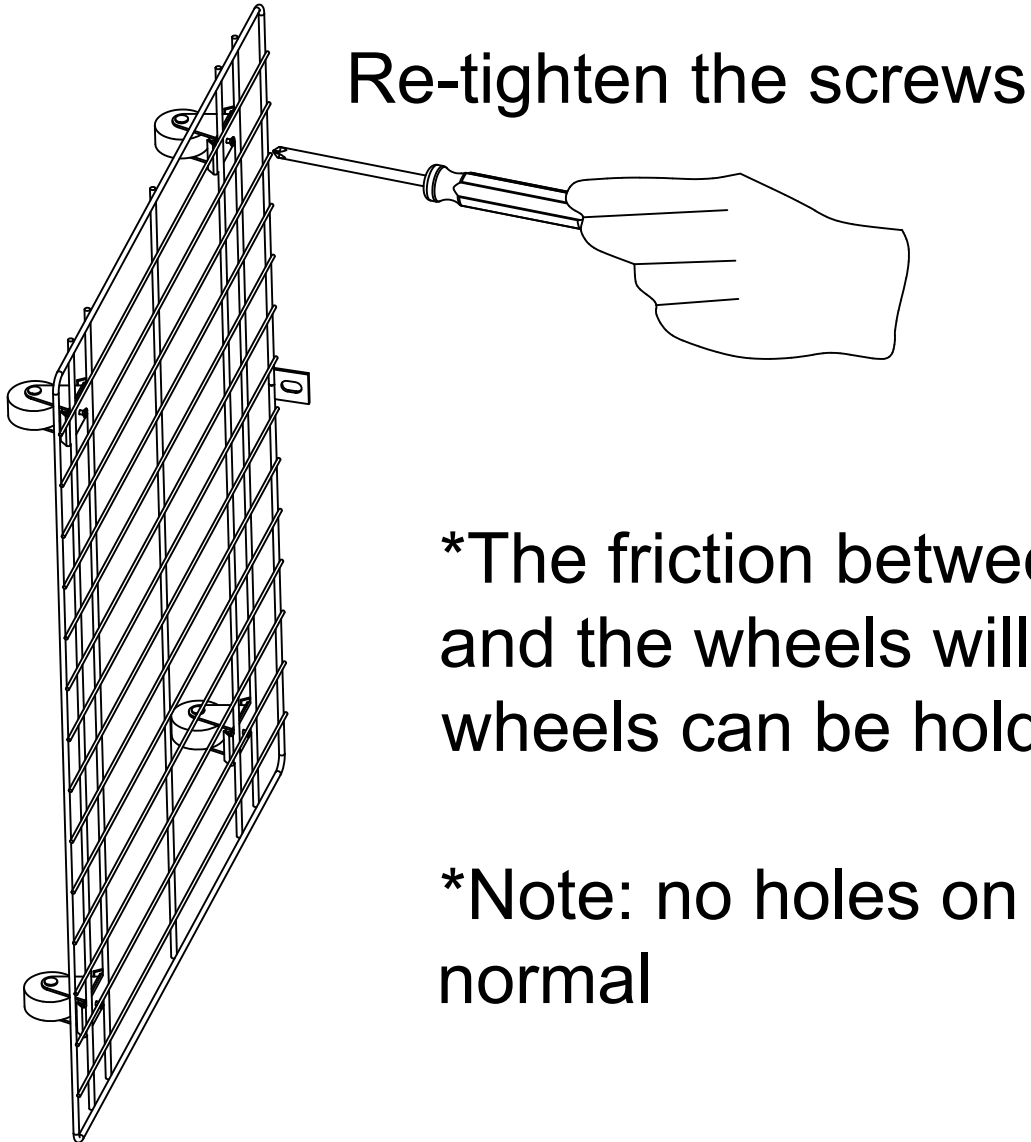
STEP 10

Slide in

M1



STEP 11



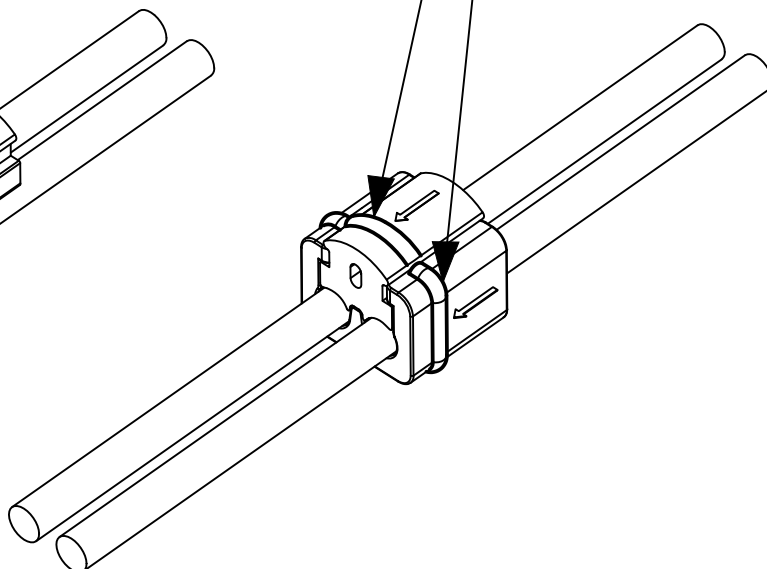
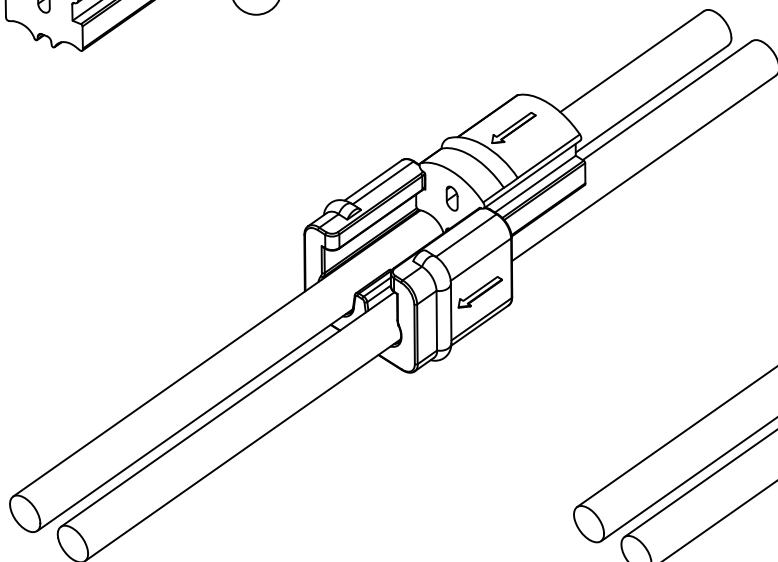
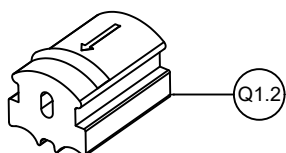
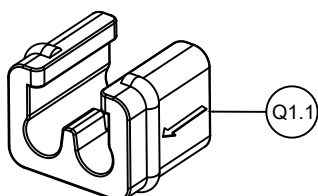
Re-tighten the screws

*The friction between the screw and the wheels will make the wheels can be holded

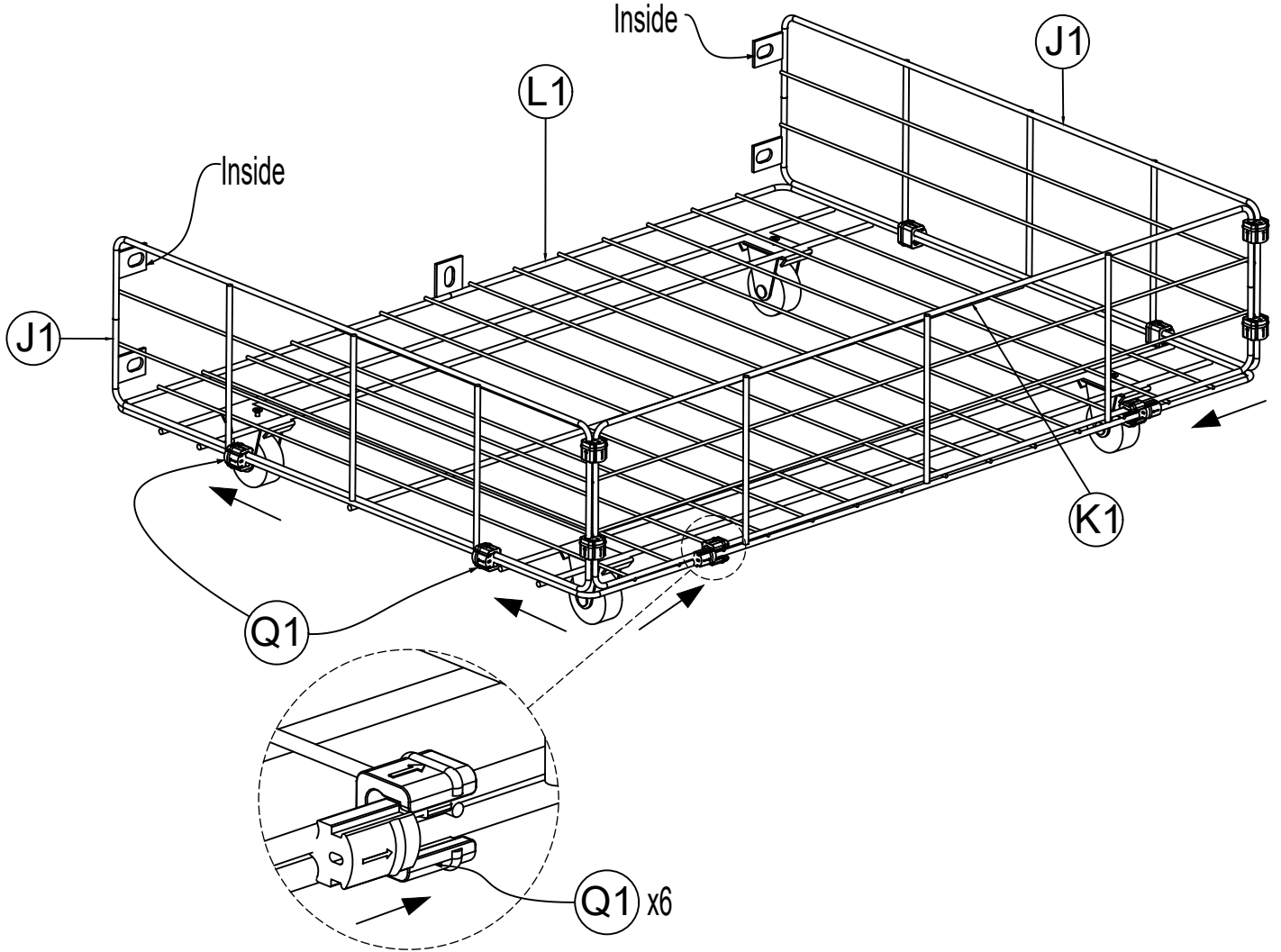
*Note: no holes on the wheels is normal

Detailed assembly instructions Q1

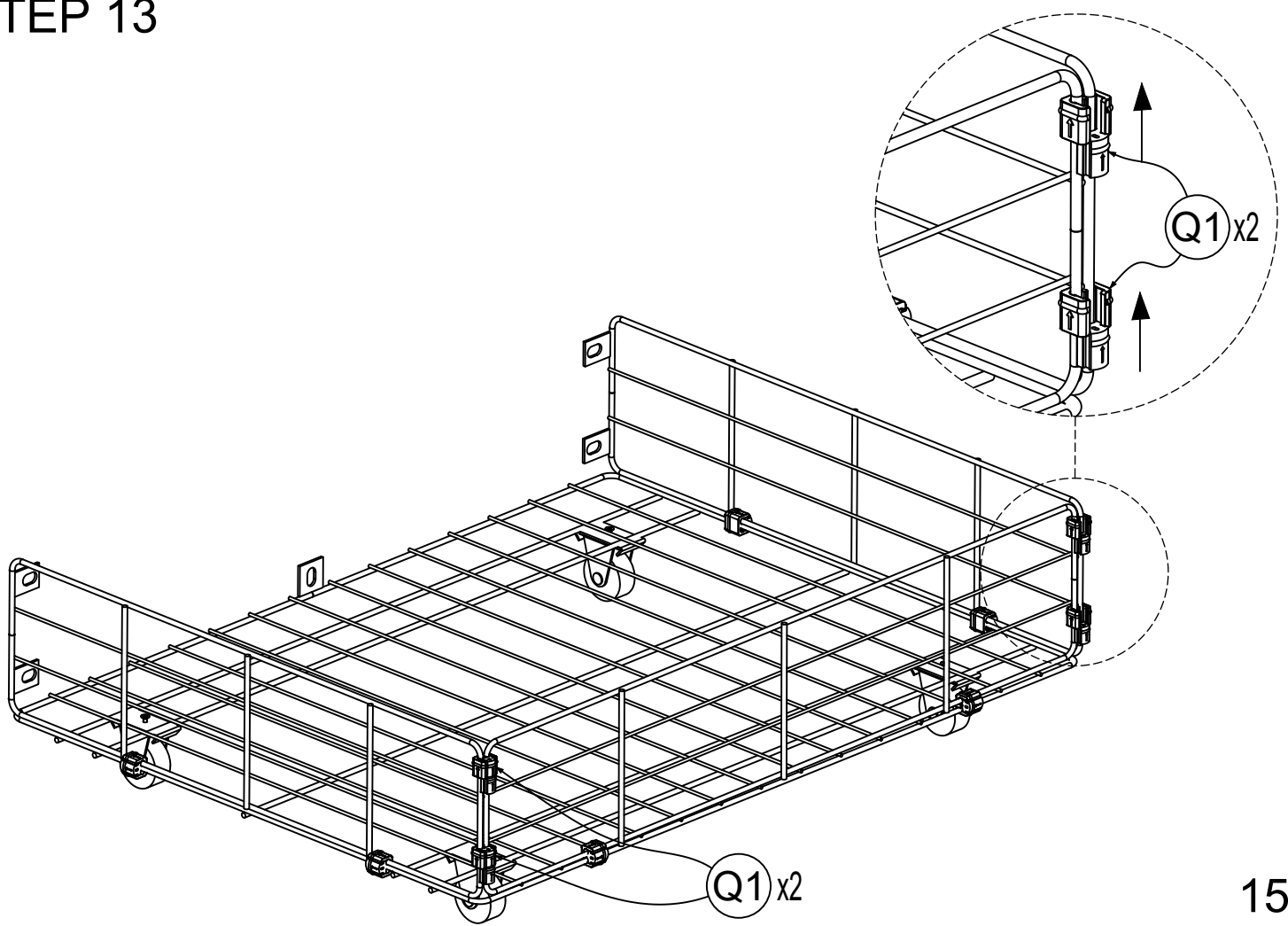
these two lines
on Q1.1 and
Q1.2 need to
be matched



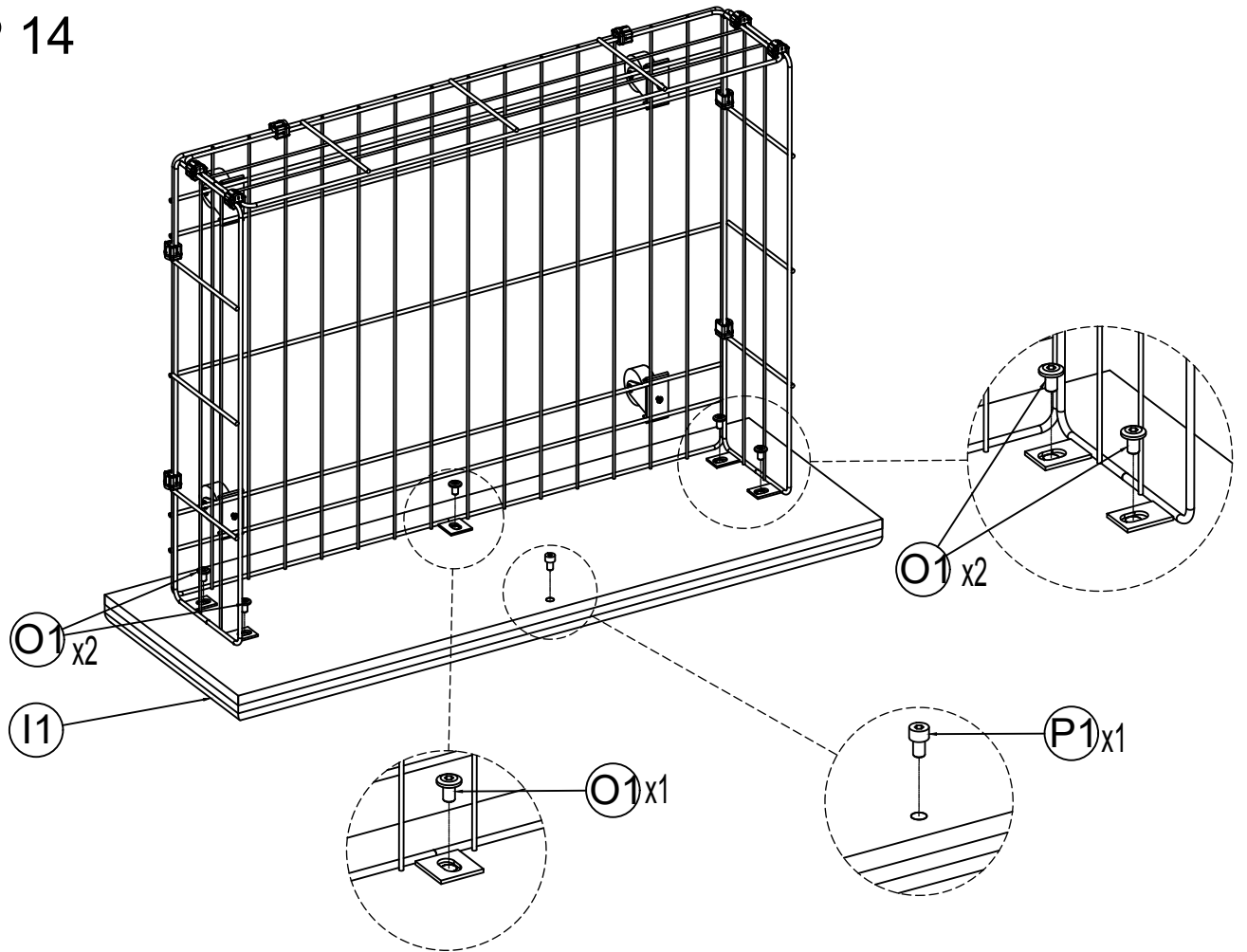
STEP 12



STEP 13

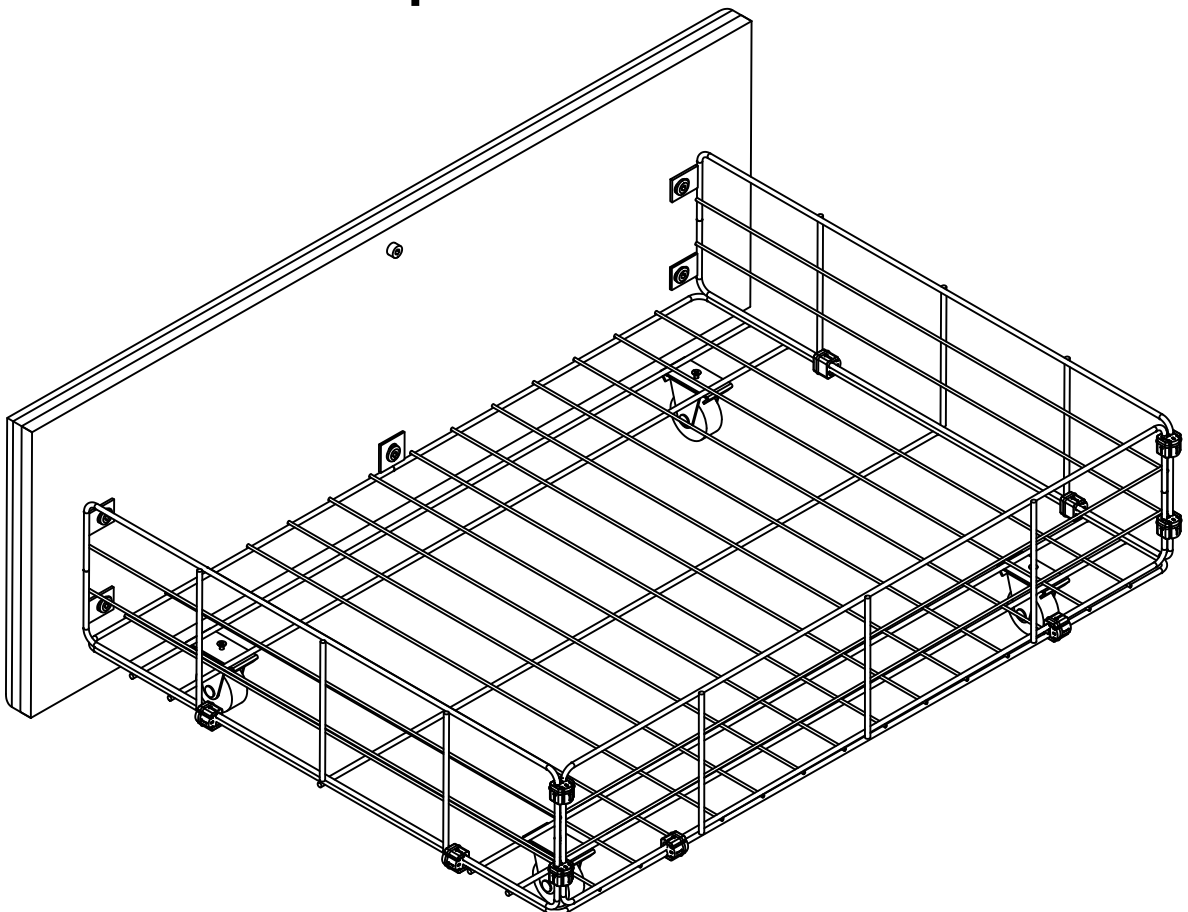


STEP 14

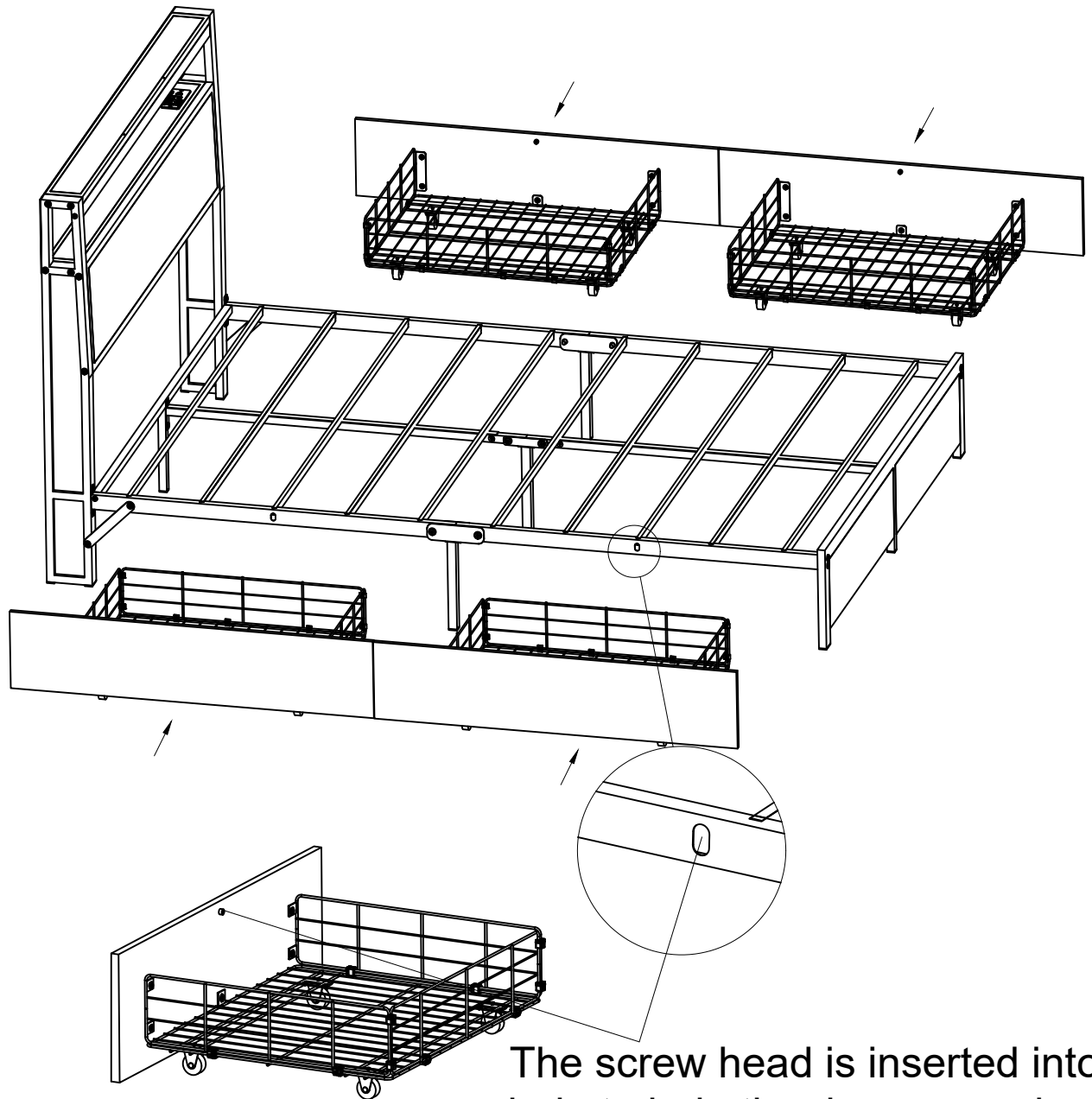


STEP 15

4pcs



STEP 16



The screw head is inserted into this hole to help the drawer can be in the fixed position.

REMOTE CONTROL

