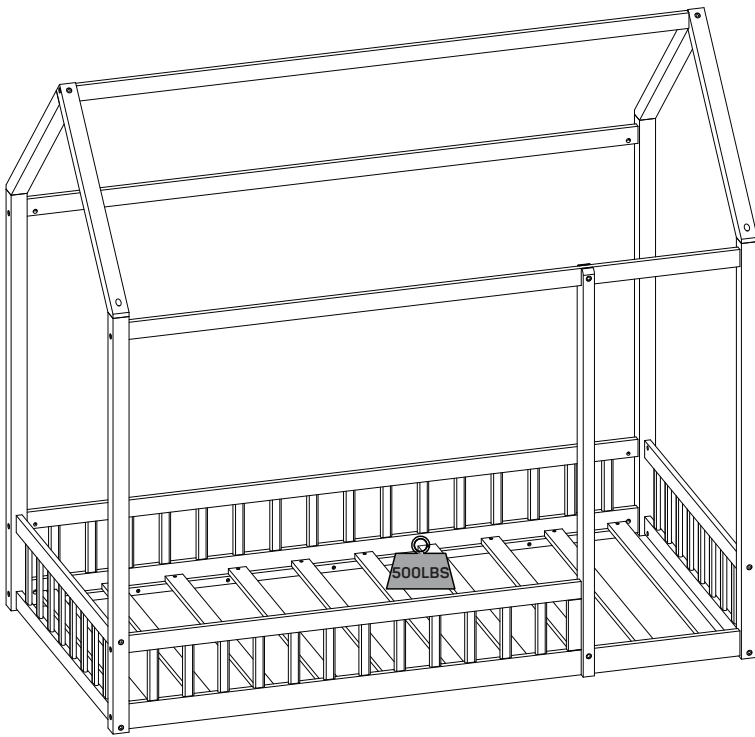


Thank you for your purchase!



# Twin House Bed

## ASSEMBLY INSTRUCTIONS

**Before You Begin:** Phillips screwdriver required for assembly (Not Included).

Please identify all component parts and hardware pieces required before you begin. Carefully remove all of the components from the packaging and set aside for assembly. Assemble on a soft surface to prevent scratching during assembly.

**Caution:**

Tighten all components securely before use. Failure to do so may result in personal injury.

**DO NOT** use any sharp objects to open plastic wrapped components as damage to product or components may result.

**Warning:**

**CHOKING HAZARD - Small Parts. Adult Assembly Required. DO NOT ALLOW CHILDREN TO CLIMB ON FURNITURE**

Serious or fatal injuries can occur from furniture tipping over. You must install Tipping Restraint Hardware (where included) to help prevent the unit from tipping and causing accidental injury, instability, death or damage. The tipping restraint is intended only as a safety measure, it is not a substitute for proper adult supervision.

To help prevent furniture from tipping over it must be permanently attached to the wall. Anti-Tip Safety Wall Straps suitable for the unit weight and wall materials (if not included) should be purchased and installed.



# Congratulations!

You just purchased a piece of happiness. At we believe you can transform your spaces into the most inspired places with furnishings that are the perfect combination of form, function and style. As original innovators of online furniture retail, we offer the best selection of popular, contemporary styles at cool, comfortable prices. And, with decades of proven shipping and packaging expertise, our Extended Quality Checklist ensures a rewarding, hassle-free experience time and time again. It's just what you need to bring your vision to life.

**Thank you & Enjoy!!**

## EVERY UBIQUE GROUP PRODUCT

Quality &  
Durability Tested

Packaged  
with Care


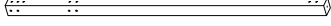

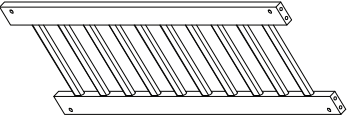
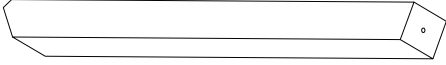
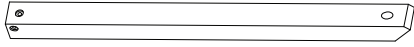
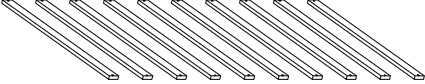

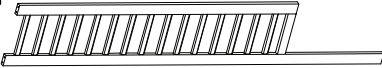
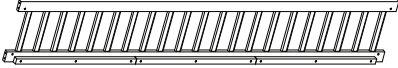
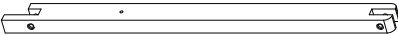




Shipped from  
our U.S. Facility

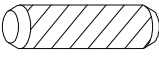
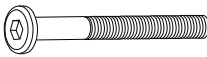

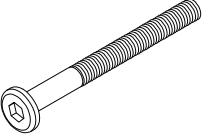


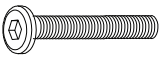
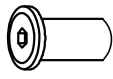
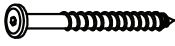
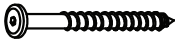
Designed  
for Easy  
Assembly

Ethically  
Sourced

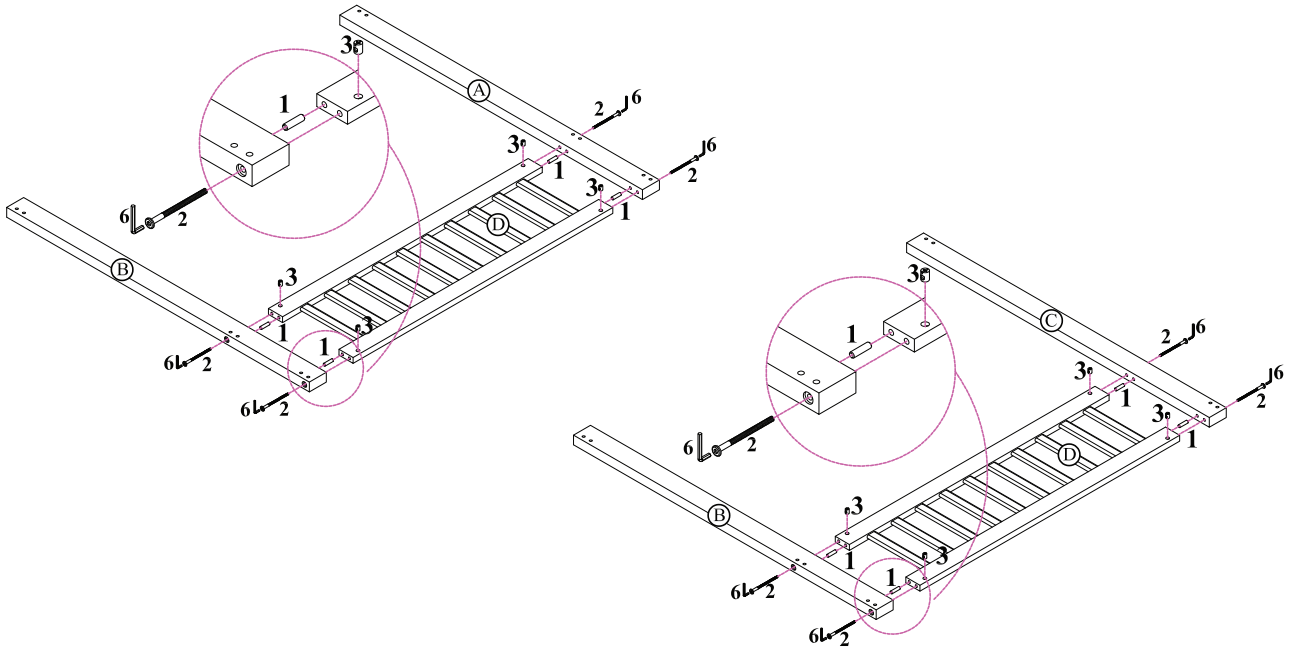
**PARTS**


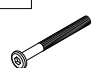


|   |   |   |
|---|---|---|
| <p><b>A</b></p>  <p>Left Rear Leg - 1pc</p>                | <p><b>B</b></p>  <p>Left Front and Right Rear Support Bar - 2pcs</p> | <p><b>C</b></p>  <p>Right Front Support Bar - 1pc</p>                            |
| <p><b>D</b></p>  <p>Left &amp; Right Side Frame - 2pcs</p> | <p><b>E</b></p>  <p>Rear Roof Bar - 2pcs</p>                        | <p><b>F</b></p>  <p>Left Front Roof Bar - 1pc</p>                                |
| <p><b>G</b></p>  <p>Slat - 10pcs</p>                        | <p><b>H</b></p>  <p>Right Front Roof Bar - 1pc</p>                  | <p><b>I</b></p>  <p>Front Frame - 1pc</p>  |
| <p><b>J</b></p>  <p>Rear Frame - 1pc</p>                   | <p><b>K</b></p>  <p>Door Support Bar - 1pc</p>                       | <p><b>L</b></p>  <p>Rear Upper Frame Bar and Central Roof Support Bar - 2pcs</p> |
| <p><b>M</b></p>  <p>Front Upper Frame Bar - 1pc</p>      |   |   |

**HARDWARE**

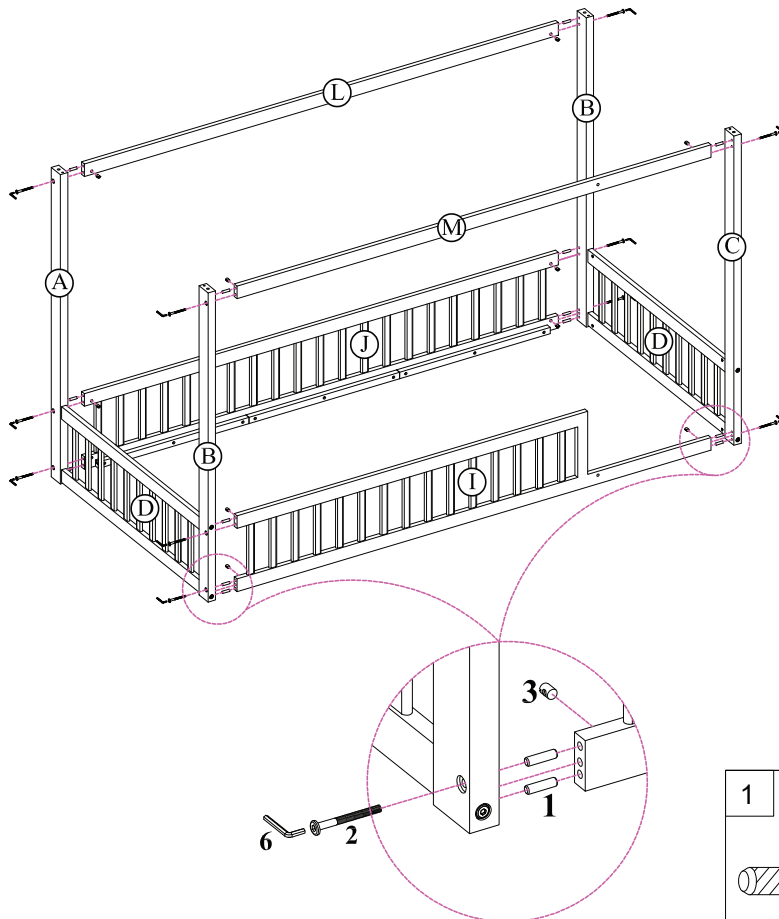
|   |   |  |   |
|---|---|--|---|
| <p><b>1</b></p>  <p>5/16"x 1-3/16" Wood Dowel - 25pcs</p>  | <p><b>2</b></p>  <p>1/4"x 3-3/8" Hex Head Bolts - 21pcs</p>  | <p><b>3</b></p>  <p>1/4"x 15/32" Barrel Nut - 22pcs</p>      | <p><b>4</b></p>  <p>1/4"x 2-9/16" Hex Head Bolts - 1pc</p> |
| <p><b>5</b></p>  <p>5/32"x 1-3/16" Screw - 20pcs</p>       | <p><b>6</b></p>  <p>Allen Key - 2pc</p>                      | <p><b>7</b></p>  <p>1/4"x 1-15/16" Hex Head Bolts - 2pcs</p> | <p><b>8</b></p>  <p>1/4"x 19/32" Connector Nut - 2pcs</p>  |
| <p><b>9</b></p>  <p>1/4"x 3-3/8" Hex-Head Screw - 2pcs</p> | <p><b>10</b></p>  <p>1/4"x 2-9/16" Hex-Head Screw - 4pcs</p> |  |   |





# STEP 1



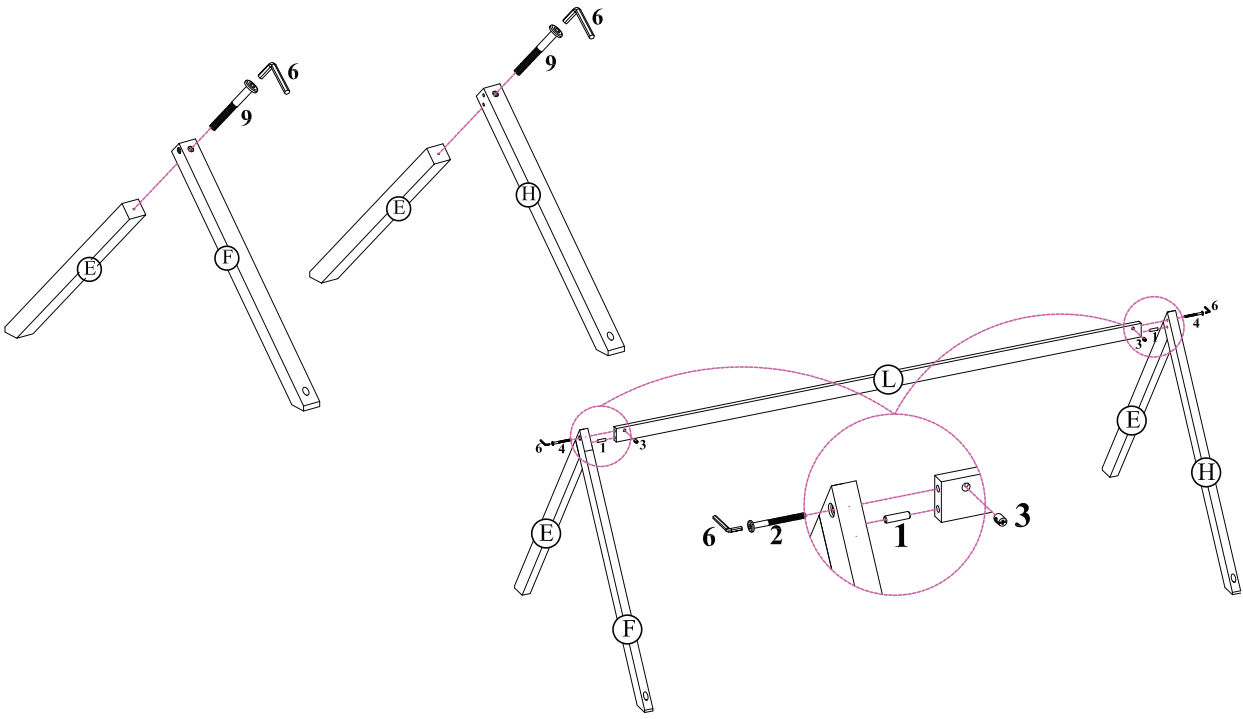
|  |  |   |   |
|--|--|---|---|
| 1  | 2  | 3   | 6   |
|  |  |  |  |
| 8PCS   | 8PCS   | 8PCS  | 1PC   |






# STEP 2



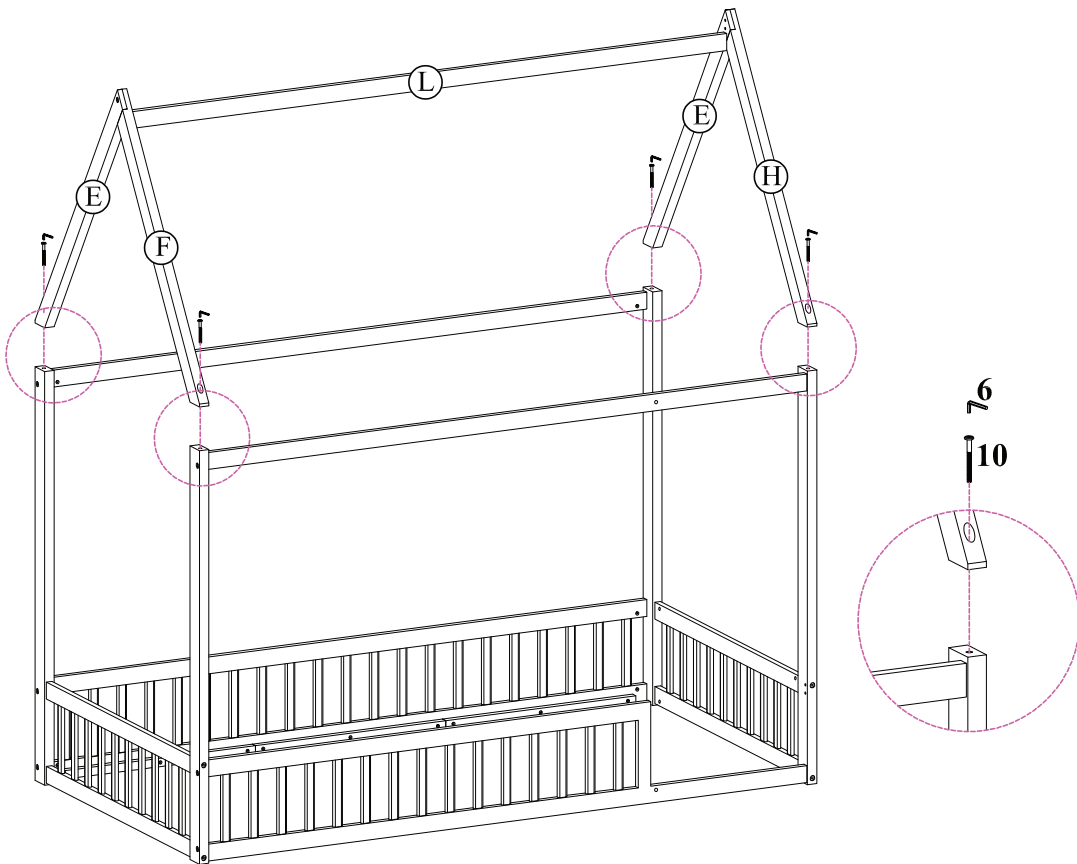
|  |   |   |   |
|--|---|---|---|
| 1  | 2   | 3   | 6   |
|  |  |  |  |
| 15PCS  | 11PCS   | 11PCS   | 1PC   |

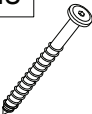

STEP 3



|   |   |   |   |   |
|---|---|---|---|---|
| <p>9</p>  <p>2PCS</p> | <p>1</p>  <p>2PCS</p> | <p>2</p>  <p>2PCS</p> | <p>3</p>  <p>2PCS</p> | <p>6</p>  <p>1PC</p> |
|---|---|---|---|---|

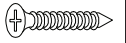
STEP 4



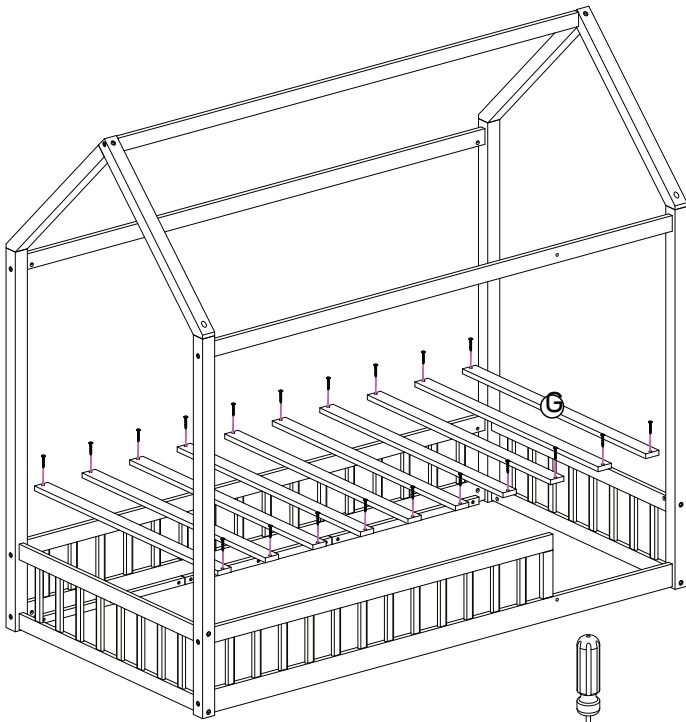
|   |   |
|---|---|
| <p>10</p>  <p>4PCS</p> | <p>6</p>  <p>1PC</p> |
|---|---|

# STEP 5

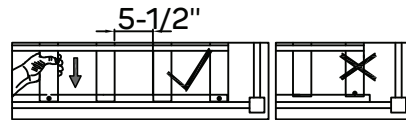
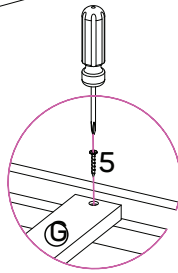
5



20pcs

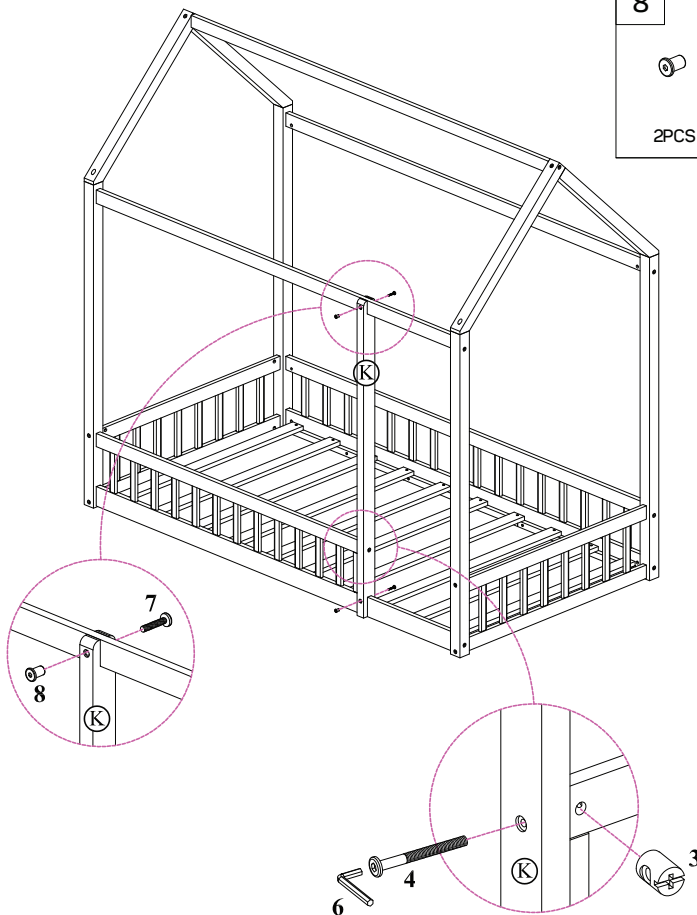


**Note:** The distance between each slat is 5 1/2 inches to ensure the optimum strength of the slat system. Do not lock the bed slats on the edge of the wood, please hold them firmly before screwing, hold them in place with one hand, then lock the screw.

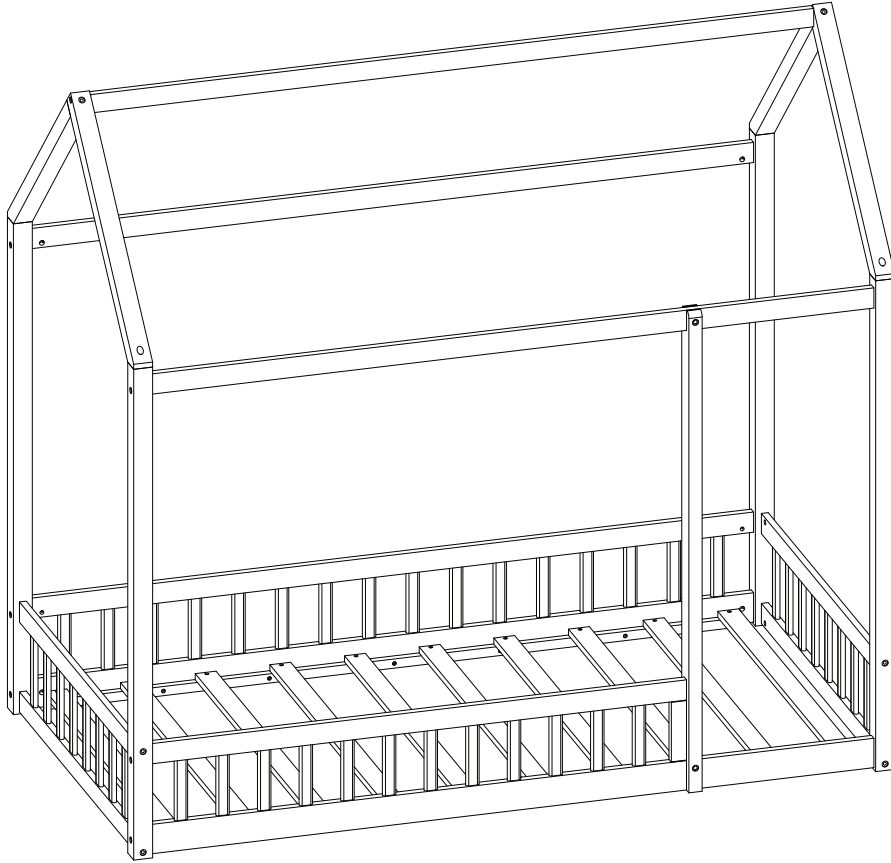


# STEP 6

|      |      |     |      |     |
|------|------|-----|------|-----|
| 8    | 7    | 3   | 6    | 4   |
|      |      |     |      |     |
| 2PCS | 2PCS | 1PC | 2PCS | 1PC |



STEP 7



## Quality and Safety Guidelines

- **Please use this item on a stable, level surface only. If any of the legs or any part of the base of this product are not contacting the Flooring surface, do not use. Do not use this item if any instability is detected.**
- **Carefully follow all of the assembly instructions. If all of the parts are not provided, please do**

**This item is intended for indoor use. Store indoors also.**

- **Do not drag or slide the bedframe when repositioning it. Team lift the bedframe and move it carefully without sliding the legs in any manner.**
- **This item is intended for lying down, do not jump, climb, hang or stand on this item.**
- **Do not use this bed with infants or Children under 6 years old. Adult supervision required.**

**Do not attach or hang anything from any part of the bedframe.**