

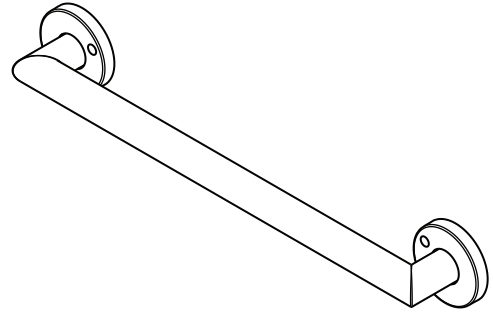
Easy Mount™

Miter Grab Bars

Technical Data Sheet

Product Specification

The product shall be a grab bar with a mitered corner. The product shall have flange covers that conceal the mounting hardware. All components of the product shall be constructed of #304 stainless steel, suitable for use in wet environments. The grab rail portion of the product shall be 1.25" / 3.2cm in diameter. The product shall have a weight capacity of 500lbs / 227kg. Product shall comply with ADA Guidelines, specifying the structural strength of grab bars, tubs and shower seats. The grab rail shall be HealthCraft model MGB-XX-XX (see table below for appropriate product code).



Key Features

- #304 Stainless Steel
- Minimalist Design with Integrated Support
- Suitable For Use in a Wet Environment
- 500lbs / 227kgs Weight Capacity

Codes and Standards

- ADA 609.2 Cross Section
- ADA 609.3 Spacing
- ADA 609.8 Structural Strength



Specified Model

MODEL	AA - LENGTH	BB - FINISH	MATERIAL
MGB-AA-BB	12" (305mm) 18" (457mm) 24" (610mm)	CP (Polished Chrome) BS (Brushed Stainless) BLK (Matte Black) GD (Brushed Gold) ORB (Oil Rubbed Bronze)	#304 Stainless Steel

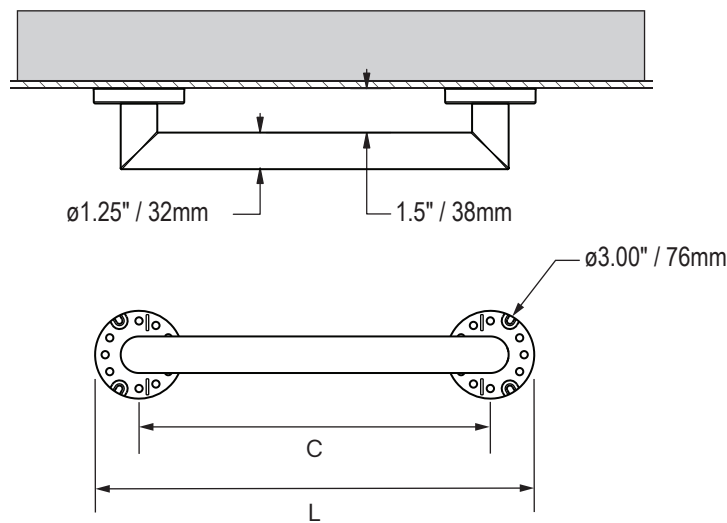
Easy Mount™

Miter Grab Bars

Technical Data Sheet

Product Dimensions

Model	L (Total Length)	C (Center to Center)
12	15" / 381mm	12" / 305mm
18	21" / 533mm	18" / 457mm
24	27" / 686mm	24" / 610mm



Shipping Dimensions

Model	Height (H)	Width (W)	Depth (D)	Weight
12	3.15" / 8cm	15.5" / 39.5cm	3.35" / 8.5cm	1.30 lbs / 0.60kg
18	3.15" / 8cm	21.5" / 54.5cm	3.35" / 8.5cm	1.61 lbs / 0.73kg
24	3.15" / 8cm	27.5" / 70cm	3.35" / 8.5cm	1.92 lbs / 0.87kg

