

Assembly Instructions

Dining Table / Executive Desk



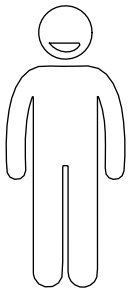
Contact Us

We're here to help you.

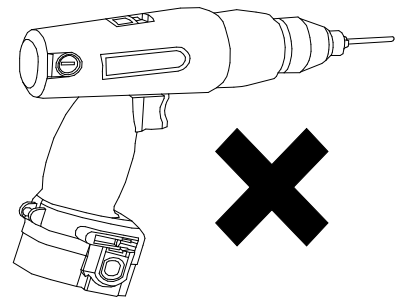
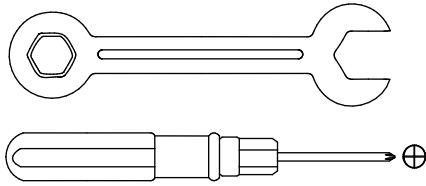
Your satisfaction is our top priority. If you encounter any issues with this product, such as missing or damaged parts, we're here to help. Please retain the original packaging and take photos of the packaging and the product, then contact us as soon as possible.

Warm Tips

1. Carefully read these instructions and keep them for future reference.
2. Check the parts list and confirm everything's there before starting assembly.
3. When assembling, put all parts on a soft, smooth surface like a carpet to avoid scratches.
4. Don't fully tighten screws until all parts are confirmed in place to avoid misalignment.

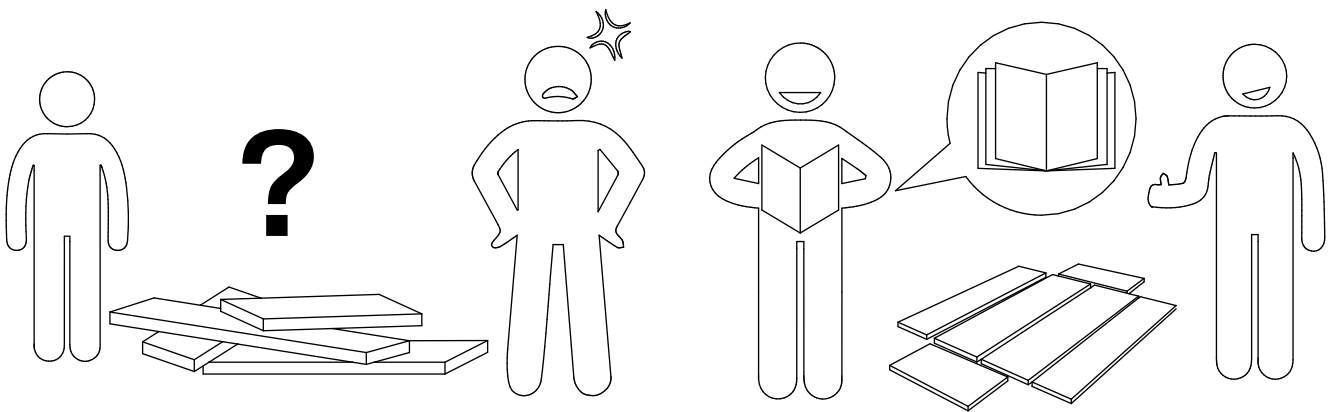


X2



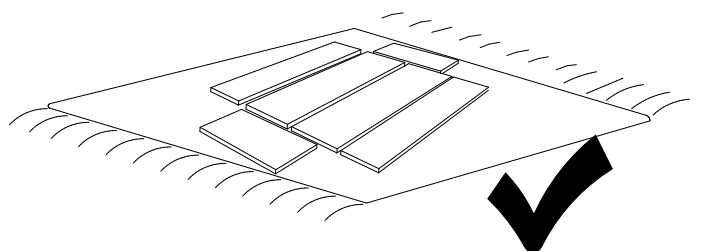
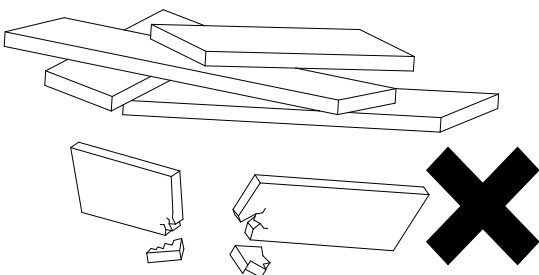
We recommend using hand tools for assembly.

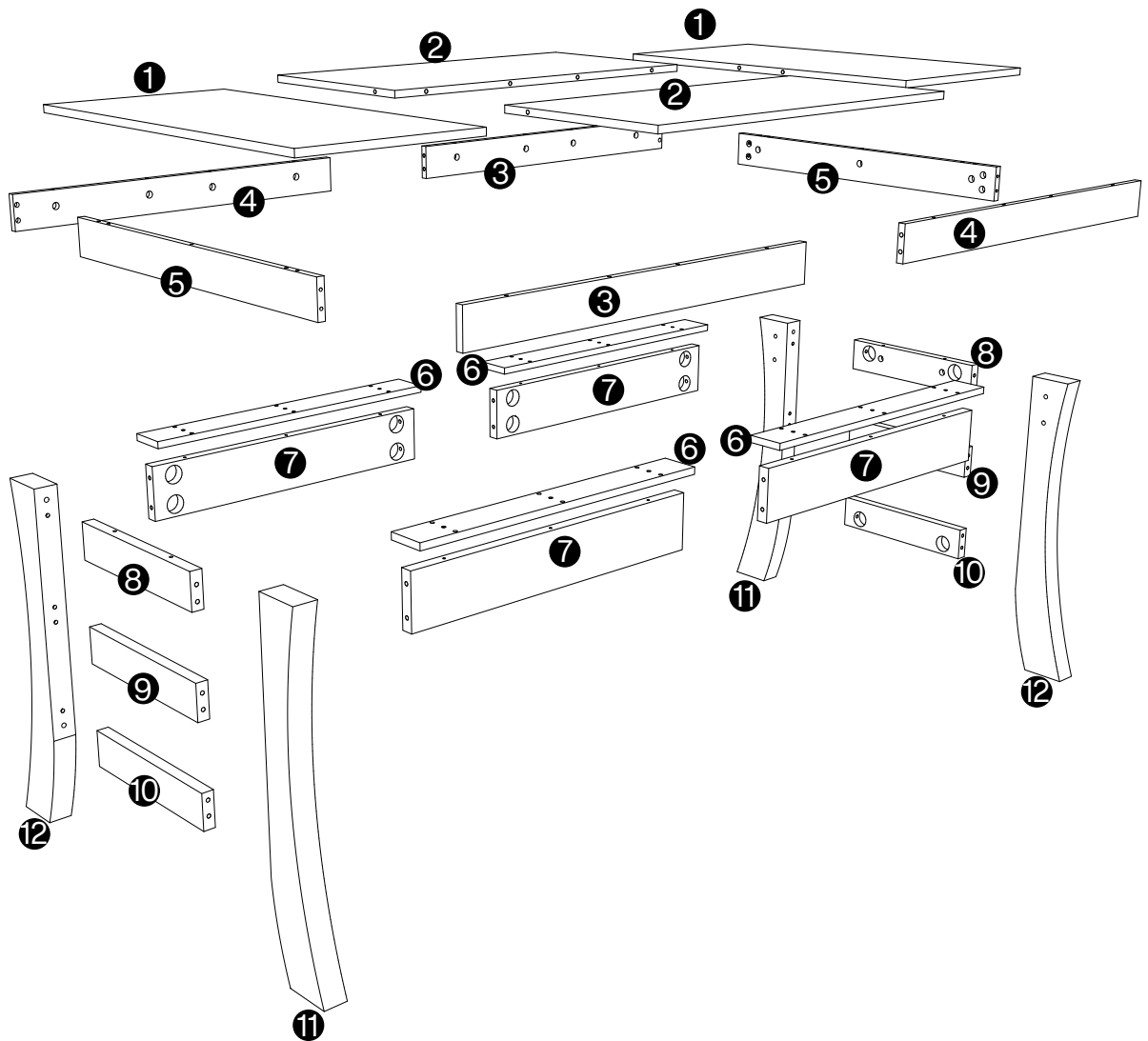
If an electric screwdriver is used, reduce power and torque to avoid damage to the product.



AVOID SCRATCHES

In order to avoid scratching, this furniture should be assembled on a soft surface, such as a rug.

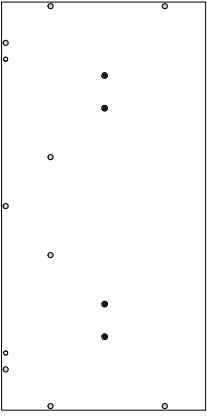
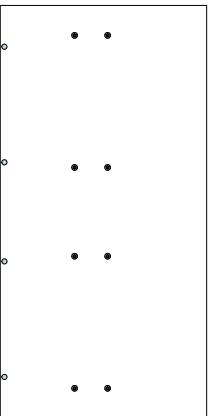

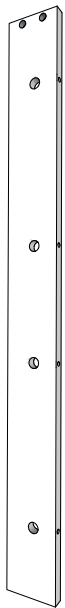



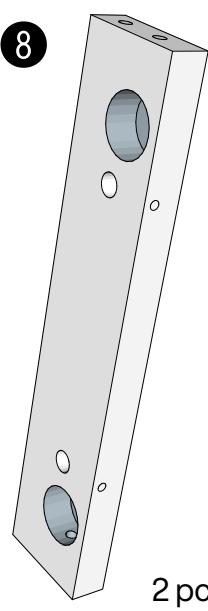
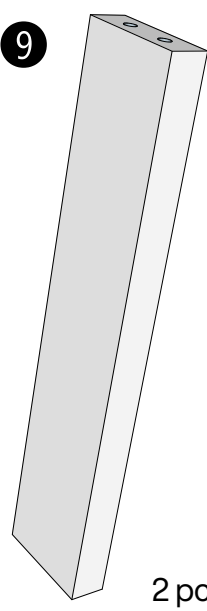
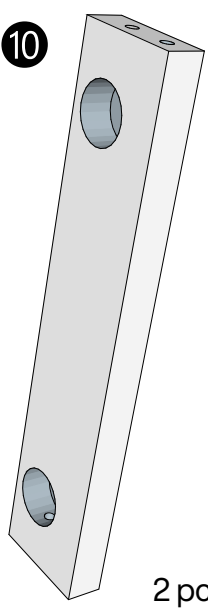
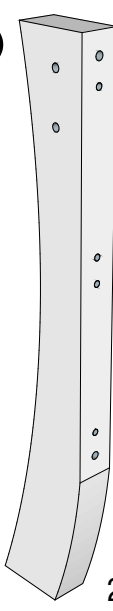
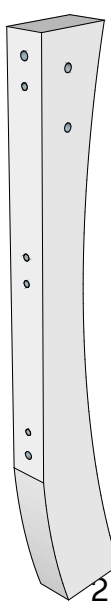





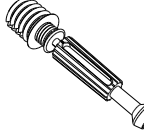


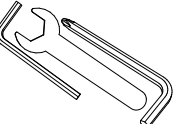


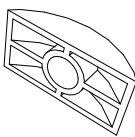
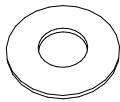
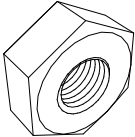


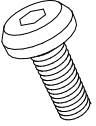
⚠ Caution

Make sure all parts are included. Most board parts are labeled or stamped on the raw edge. Contact us for a free replacement if you encounter any damaged or missing parts.

Parts List

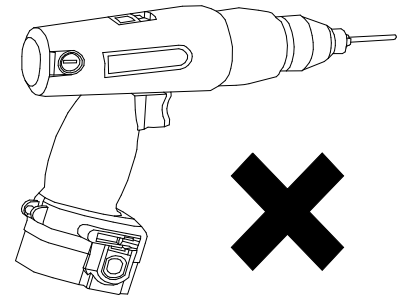
<p>1</p>  <p>2 pcs</p>	<p>2</p>  <p>2 pcs</p>	<p>3</p>  <p>2 pcs</p>	<p>4</p>  <p>2 pcs</p>	<p>5</p>  <p>2 pcs</p>	<p>6</p>  <p>4 pcs</p>
<p>7</p>  <p>4 pcs</p>	<p>8</p>  <p>2 pcs</p>	<p>9</p>  <p>2 pcs</p>	<p>10</p>  <p>2 pcs</p>	<p>11</p>  <p>2 pcs</p>	<p>12</p>  <p>2 pcs</p>

Hardware List

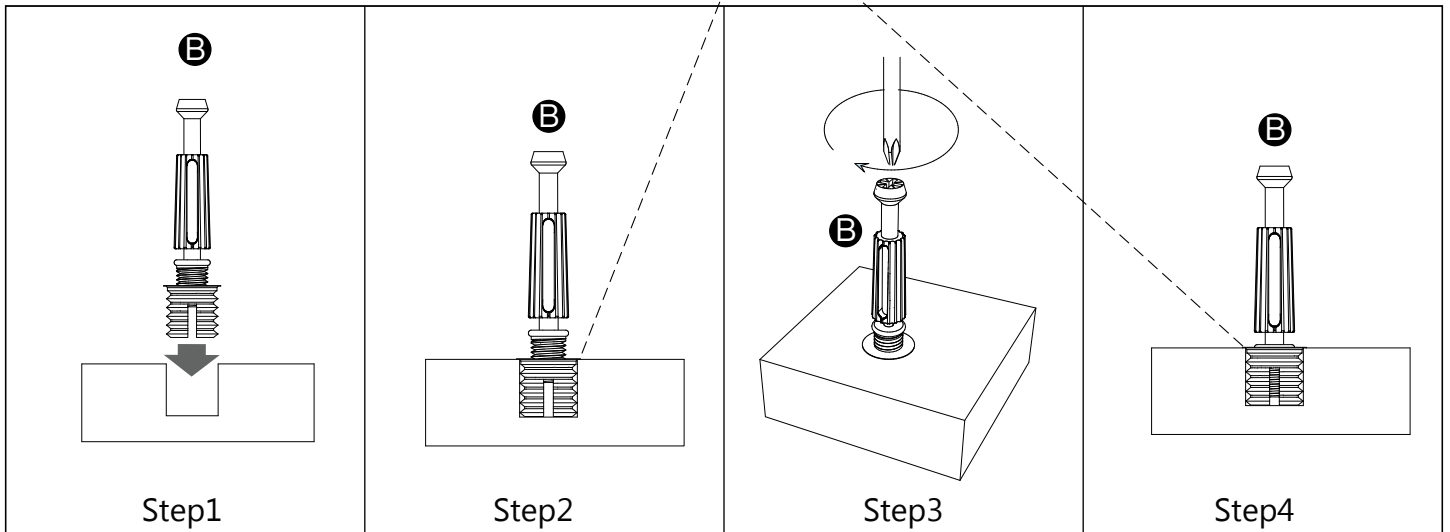
<p>A</p>  <p>Ø15x12mm 34 pcs</p>	<p>B</p>  <p>M6x40mm 34 pcs</p>	<p>C</p>  <p>Ø8x30mm 32 pcs</p>	<p>D</p>  <p>M8x70mm 16 pcs</p>	<p>E</p>  <p>M3/M4/M14 1 pc</p>	<p>F</p>  <p>4 pcs</p>	<p>G</p>  <p>4 pcs</p>
<p>H</p>  <p>24 pcs</p>	<p>I</p>  <p>24 pcs</p>	<p>J</p>  <p>24 pcs</p>	<p>K</p>  <p>12 pcs</p>	<p>L</p>  <p>M8x100mm 4 pcs</p>	<p>M</p>  <p>M6x25mm 24 pcs</p>	

Installation of Cams and Pins

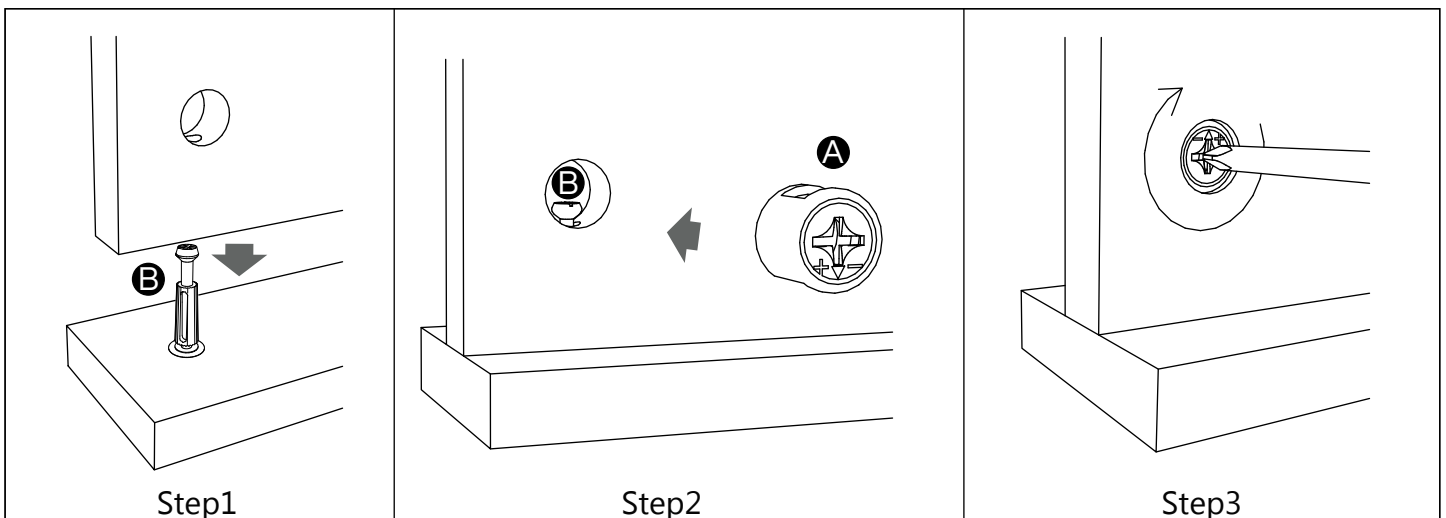
Read each step carefully before starting. Each step of instruction should be performed in the correct order. If these steps are not followed in sequence, assembly difficulties may occur.



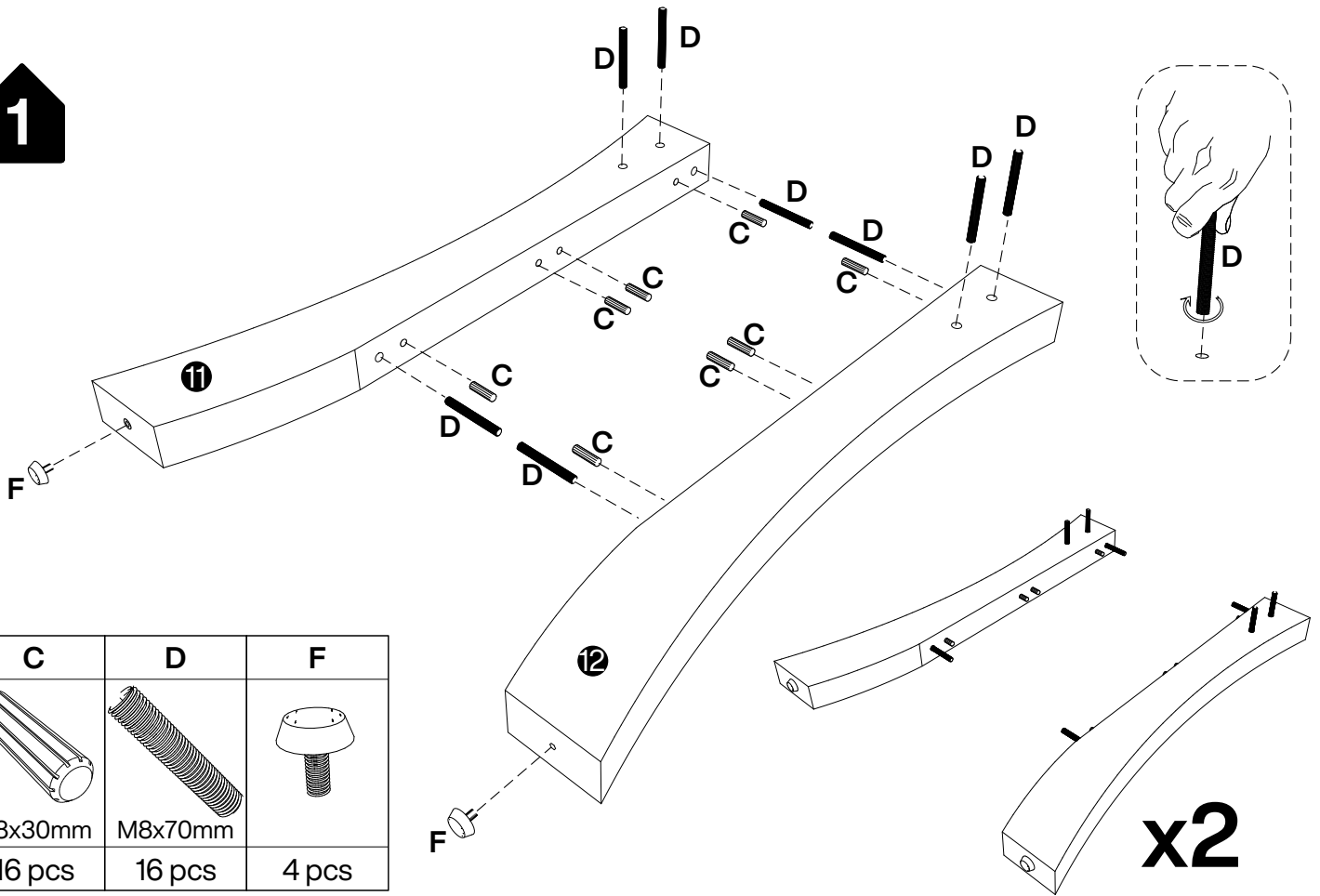
No gap



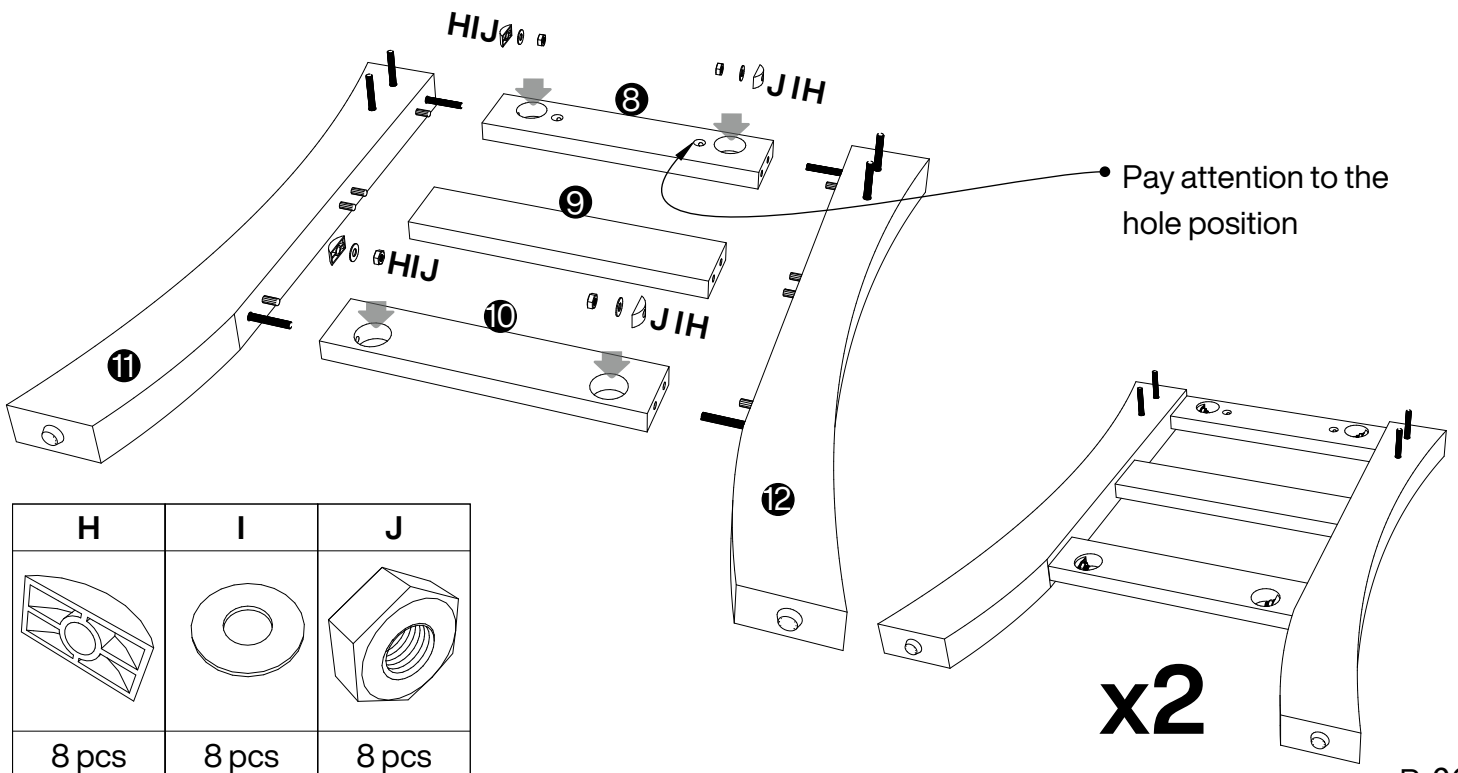
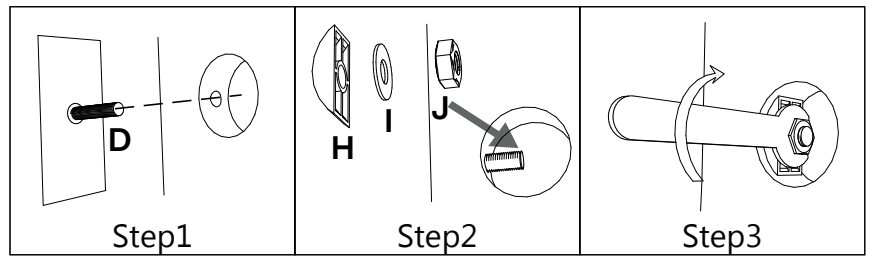
Screw the pin into the hole. Set the cams correctly by aligning the head of the cams with the lock pins. Lock the cam by turning the cam head with a screwdriver until it is tightened. Please do not use an electric screwdriver to assemble the unit.



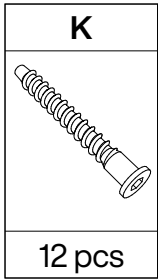
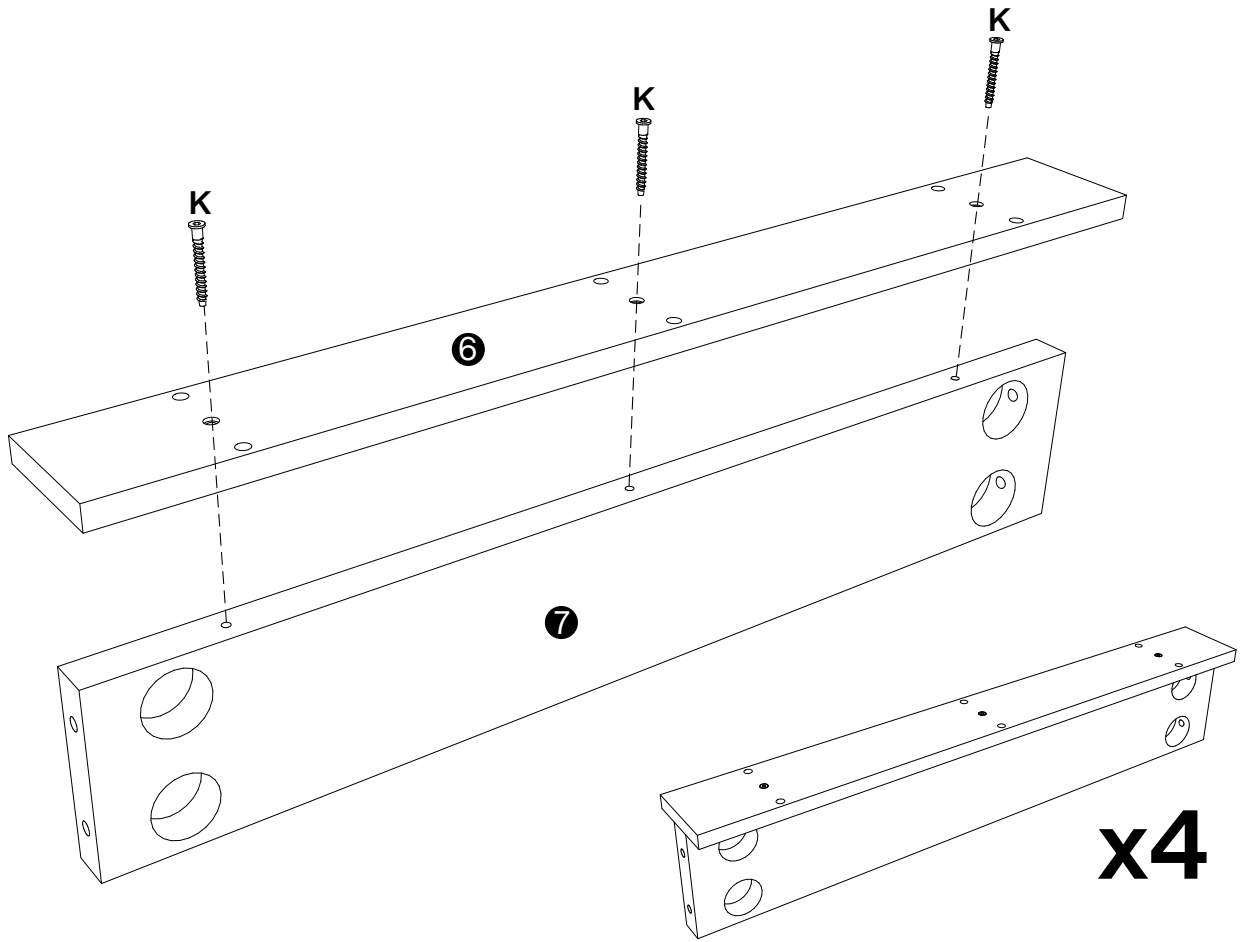
1



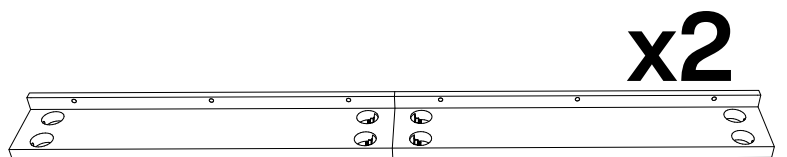
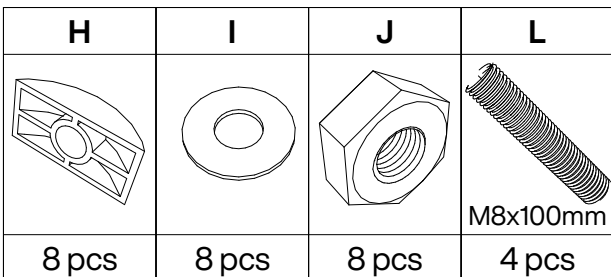
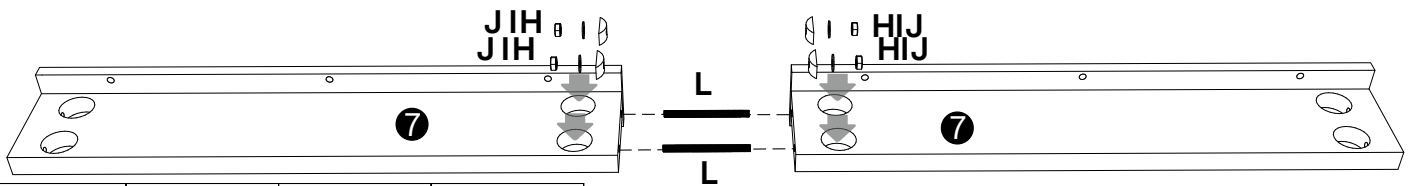
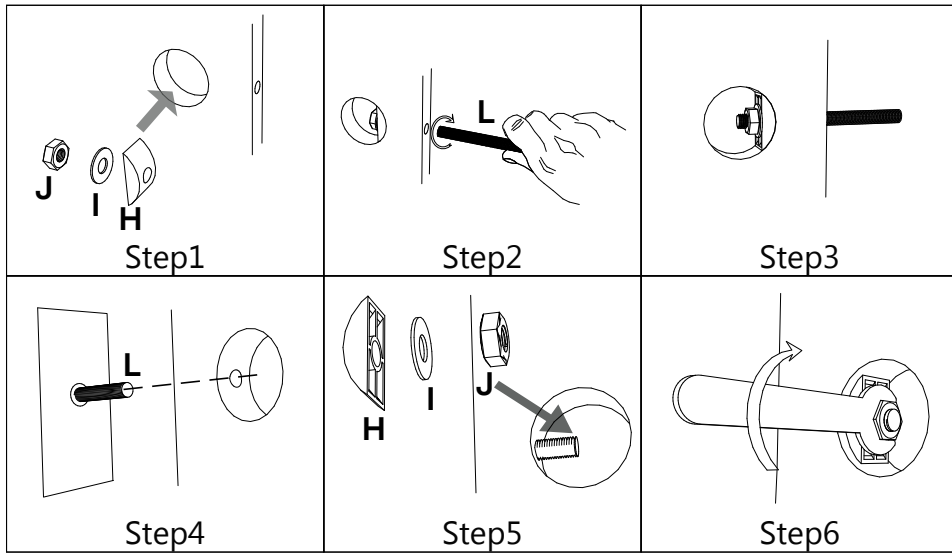
2



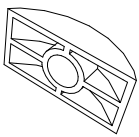
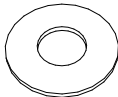
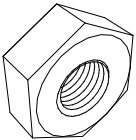
3

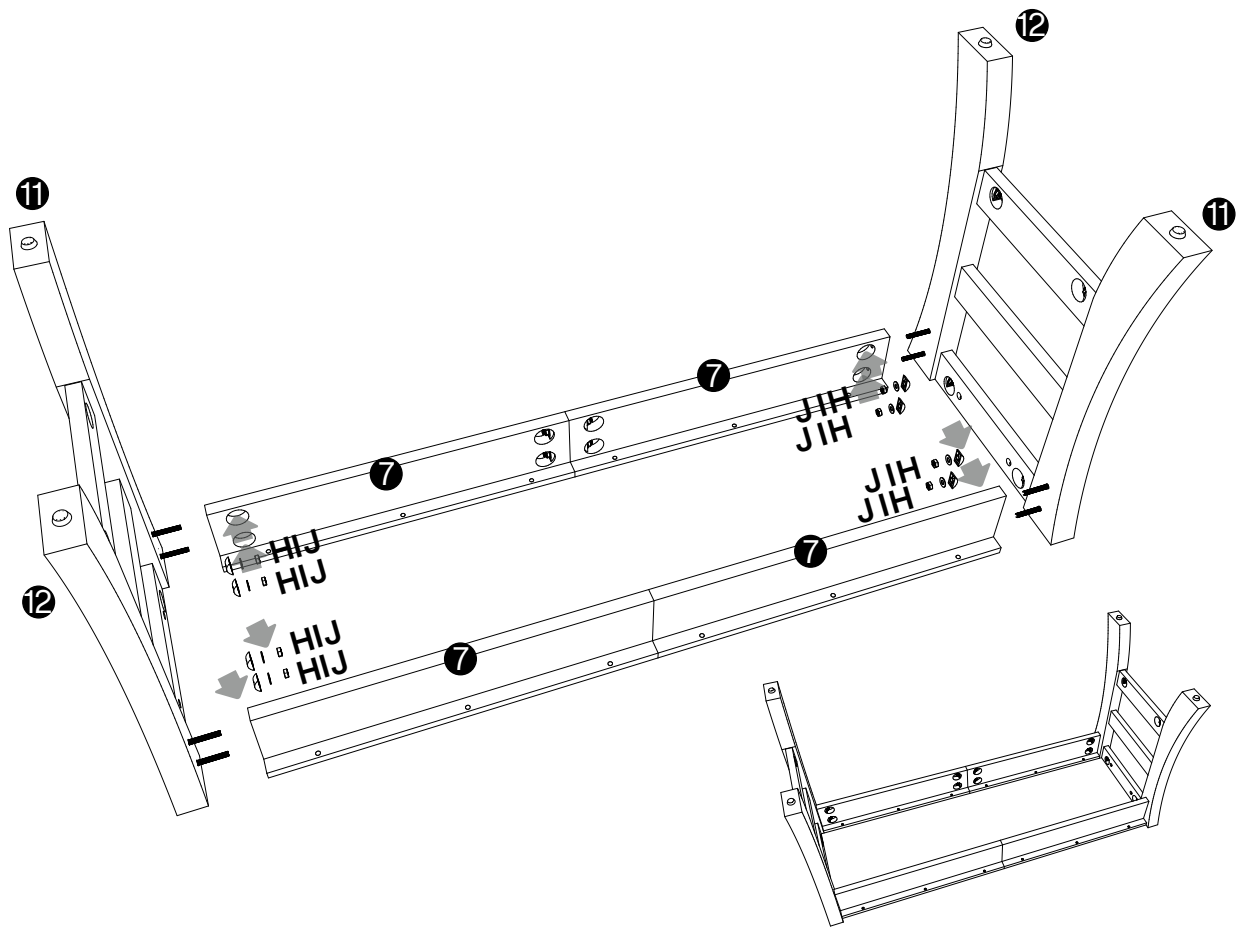


4

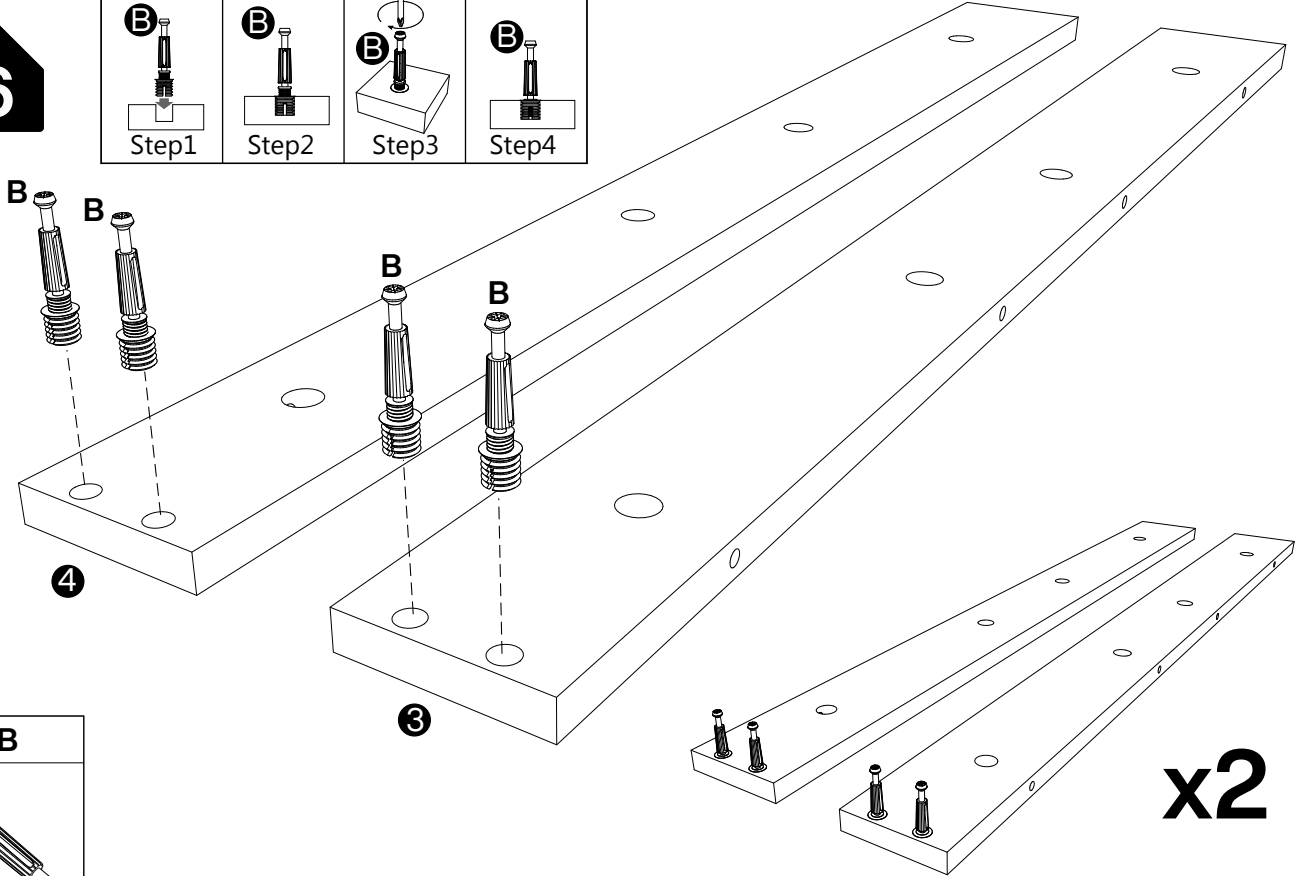
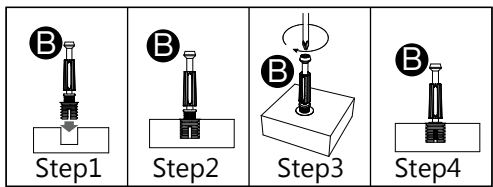


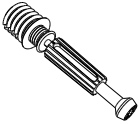
5

H

8 pcs
I

8 pcs
J

8 pcs

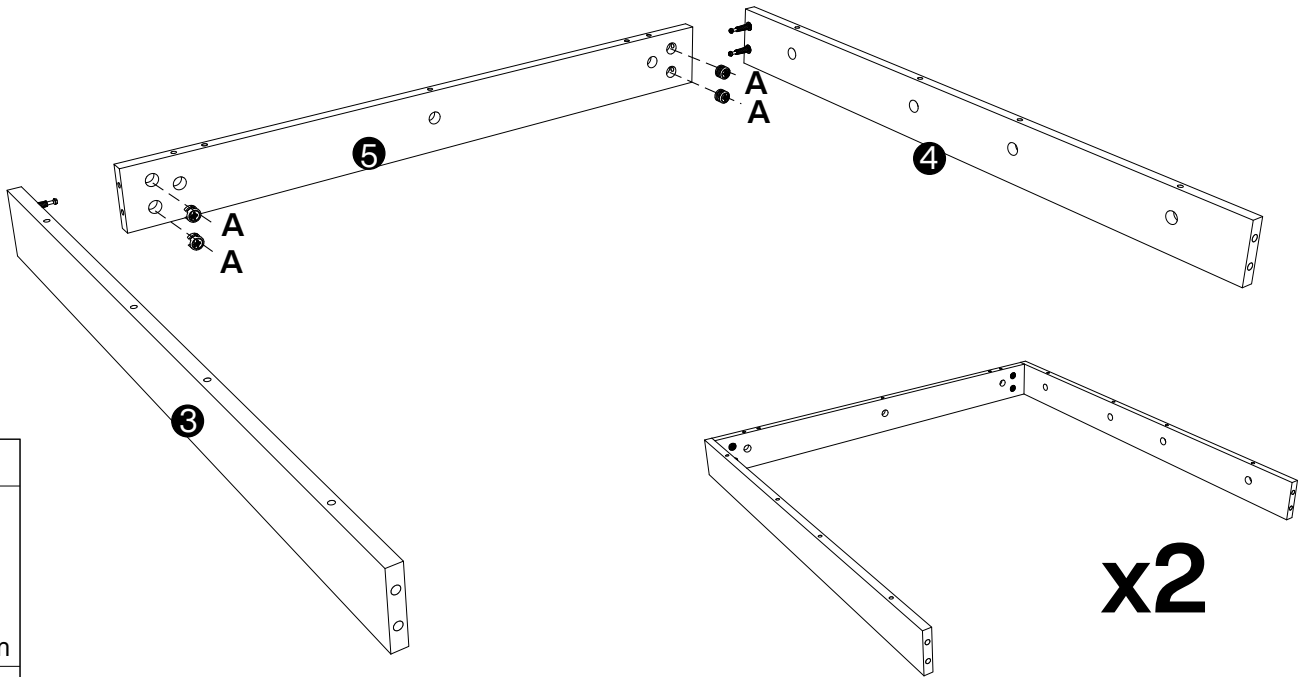
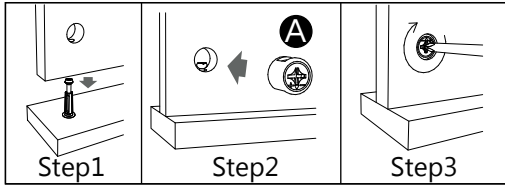


6

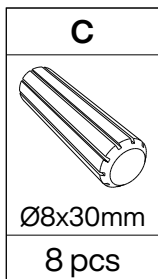
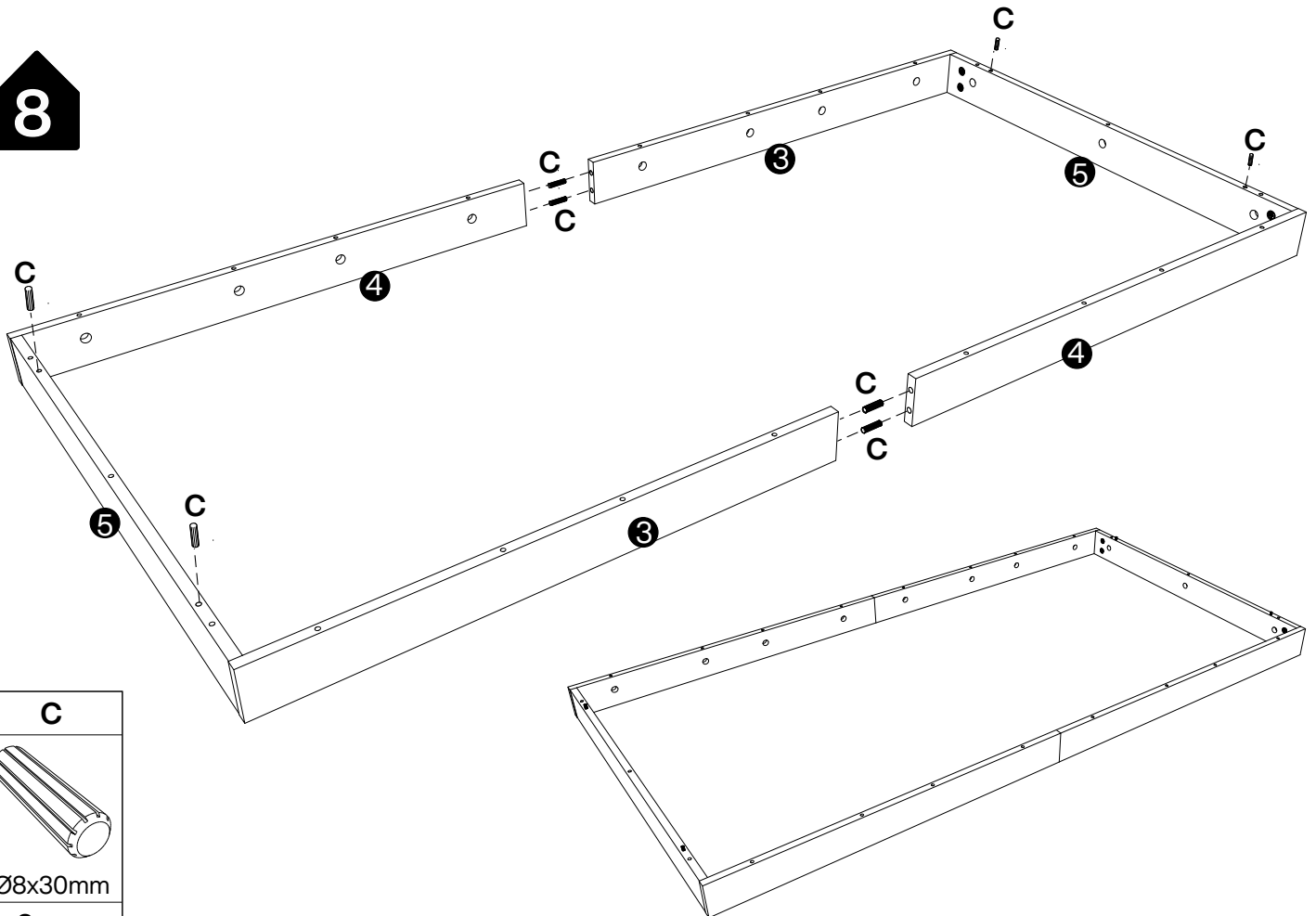


B

M6x40mm
8 pcs

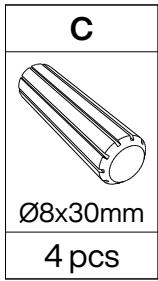
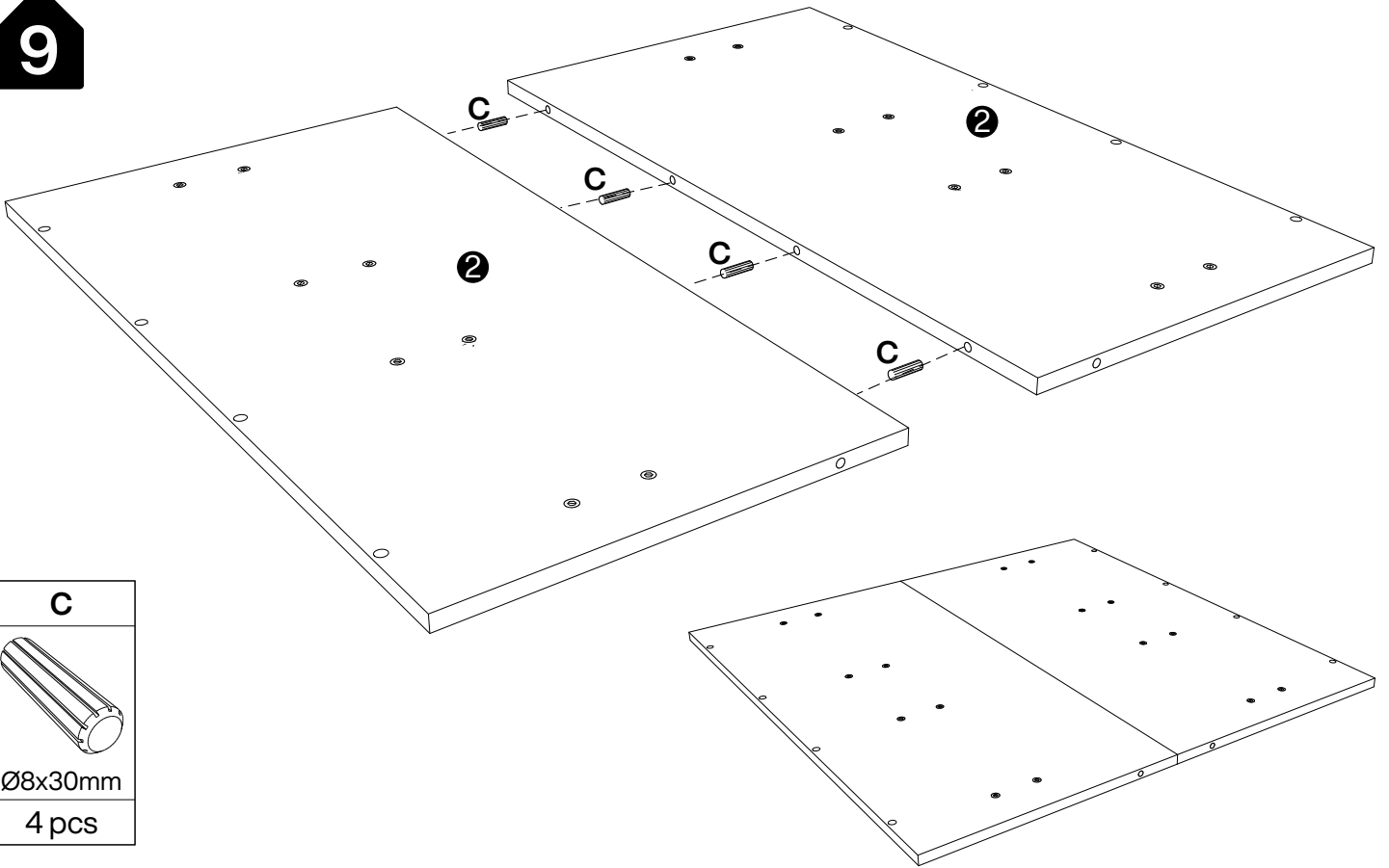
7



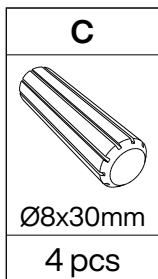
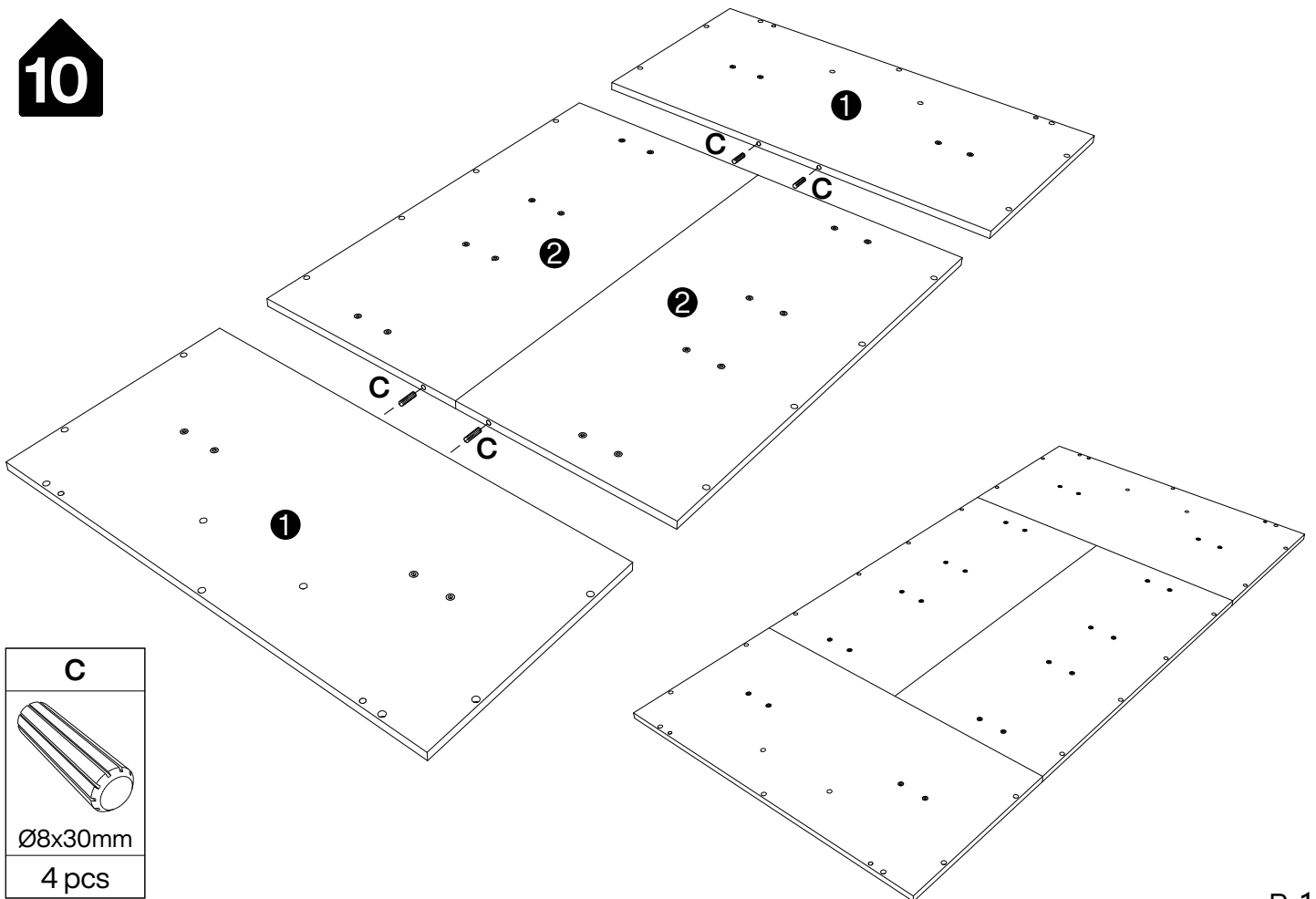
8



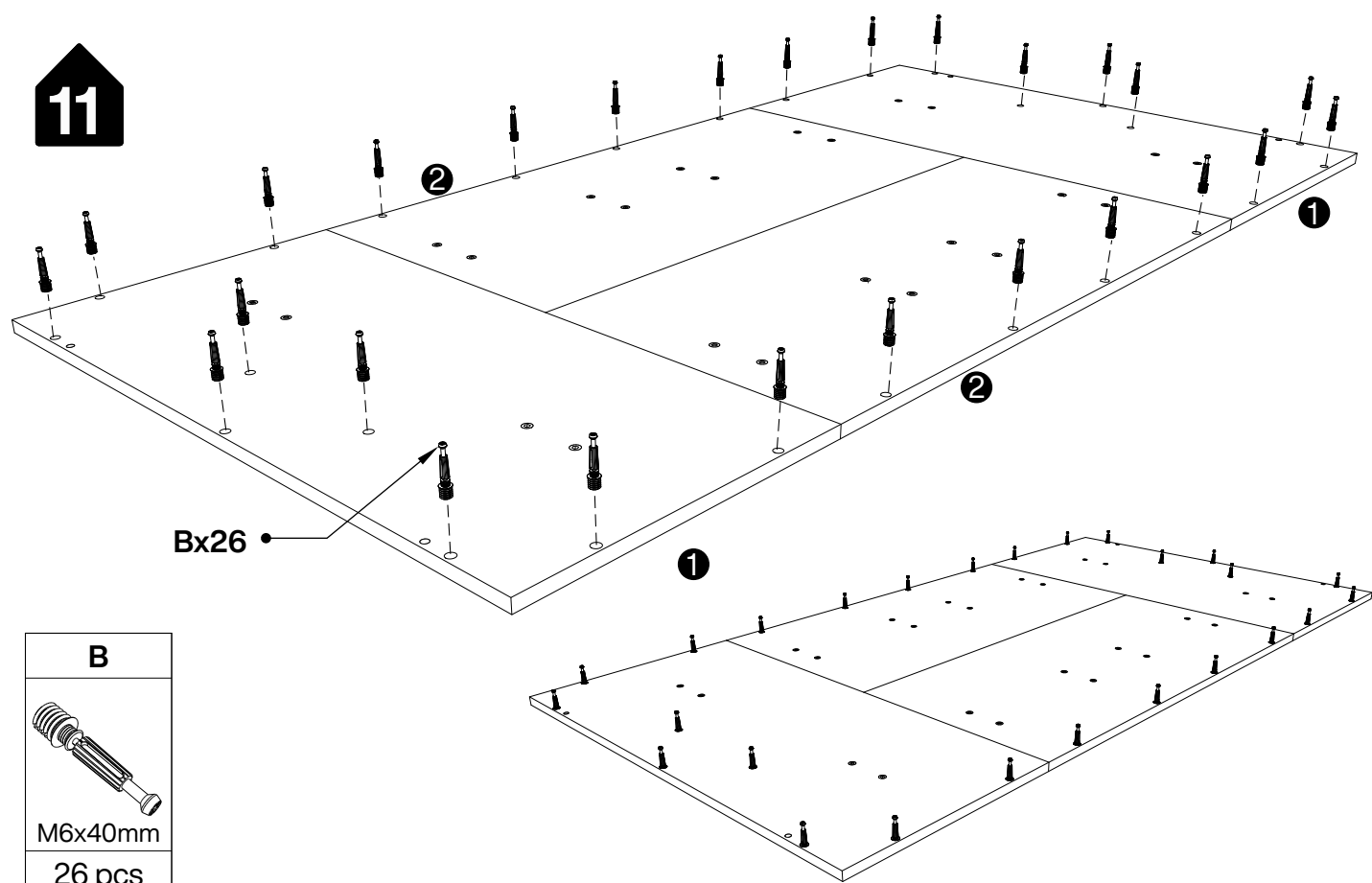
9

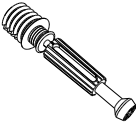


10

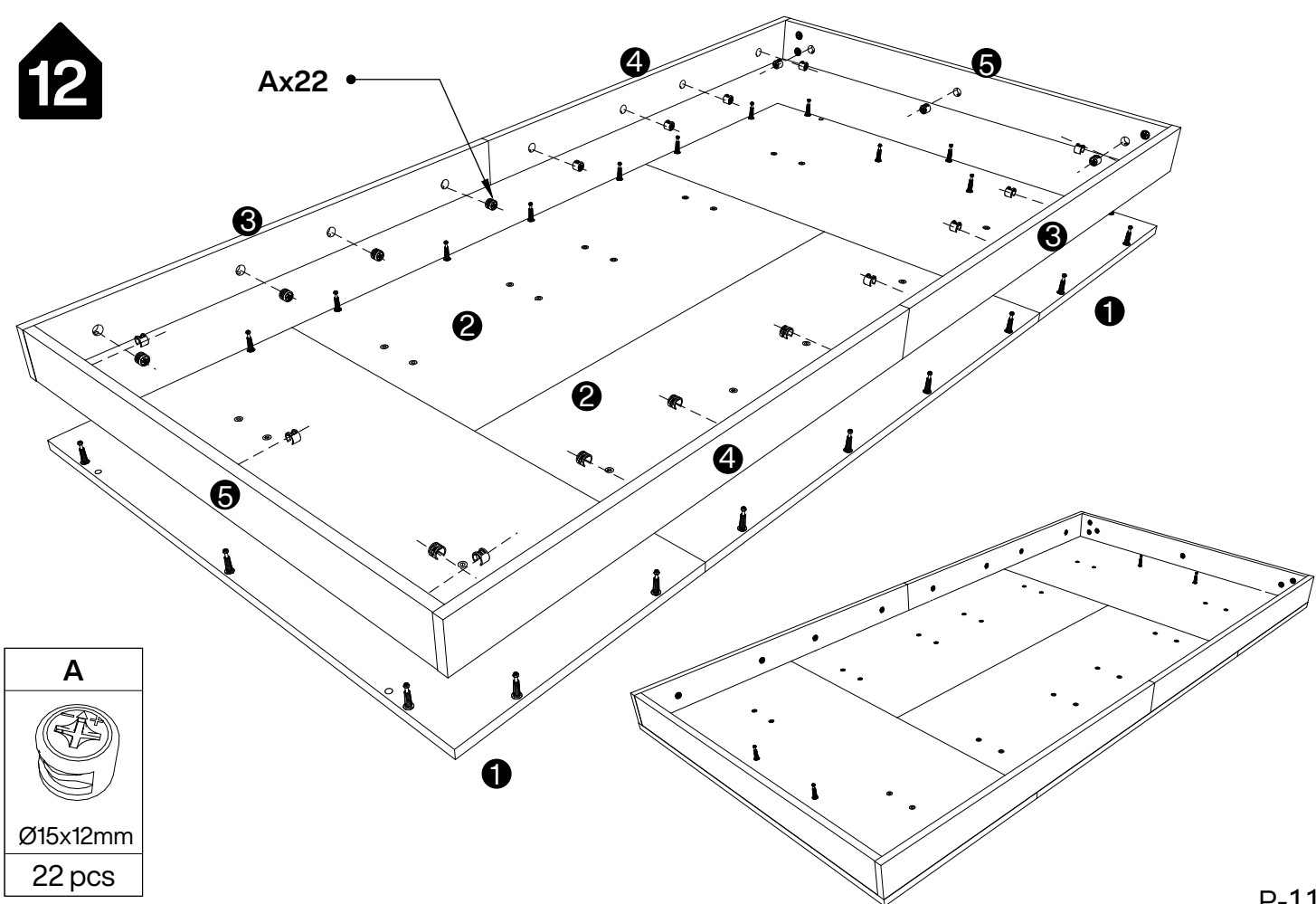


11



B

M6x40mm
26 pcs

12



A

Ø15x12mm
22 pcs

13

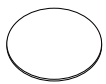
A



Ø15x12mm

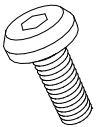
4 pcs

G



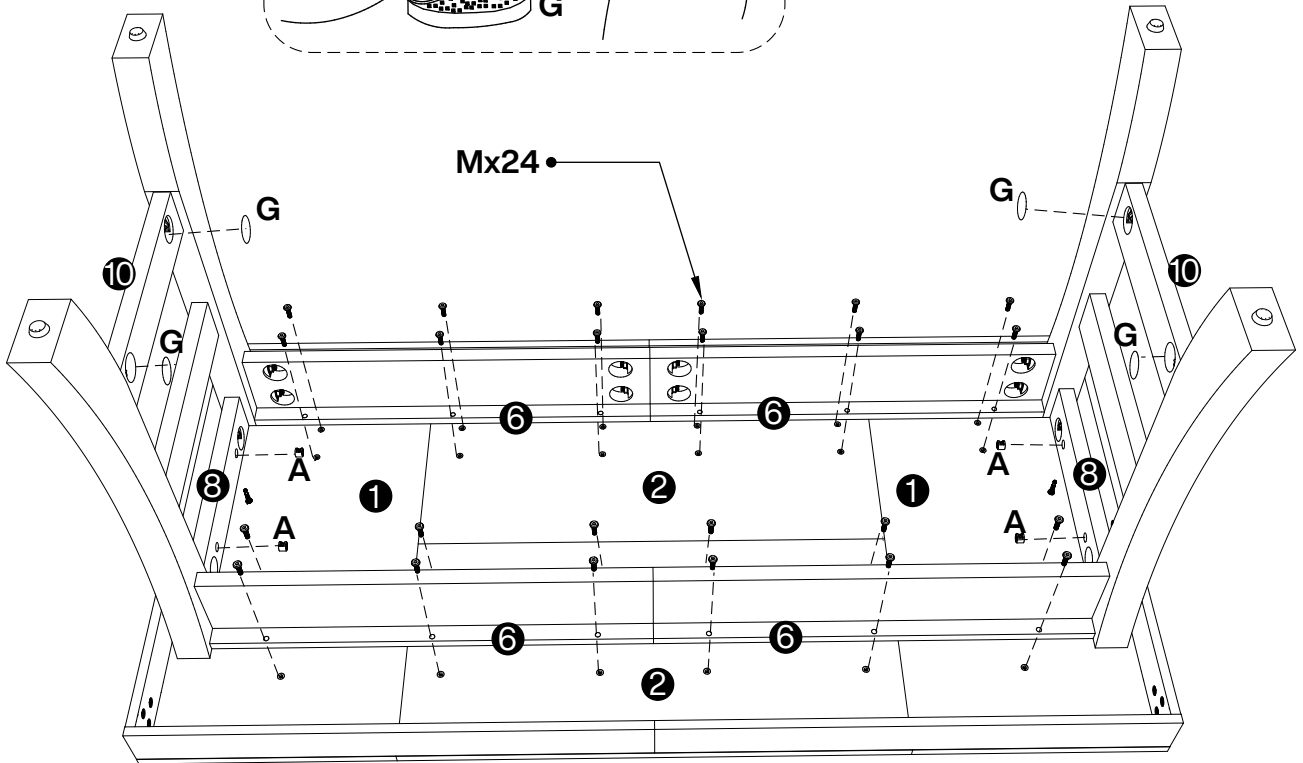
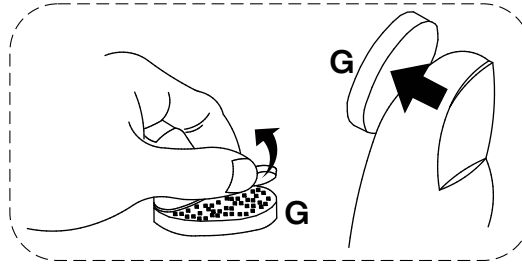
4 pcs

M

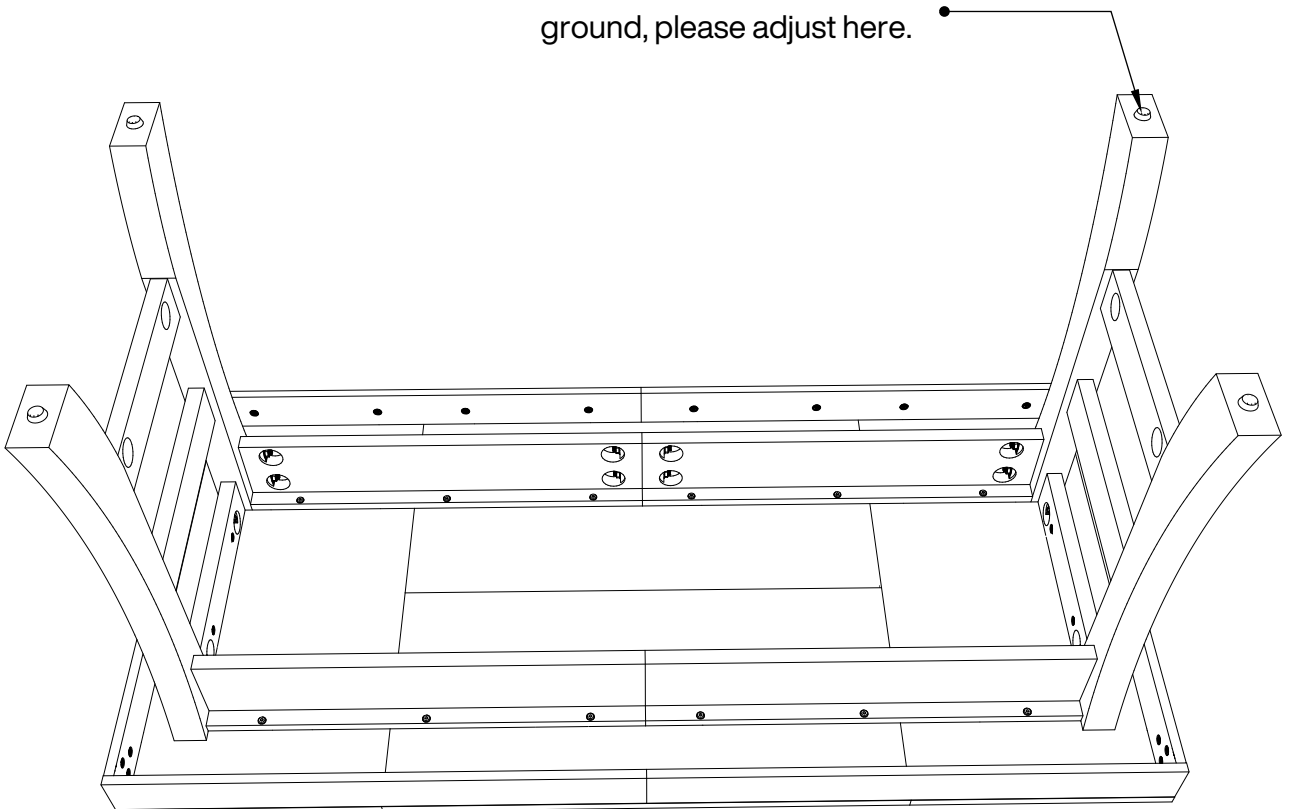


M6x25mm

24 pcs



When it is not level on the ground, please adjust here.



Thank you for your support!

