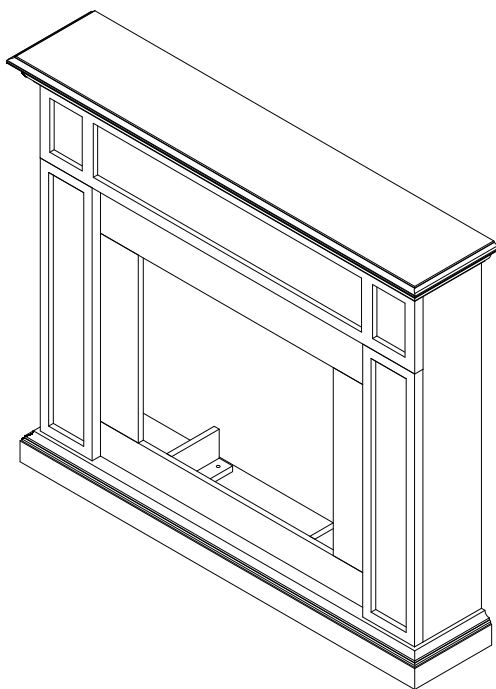


FIREPLACE MANTEL

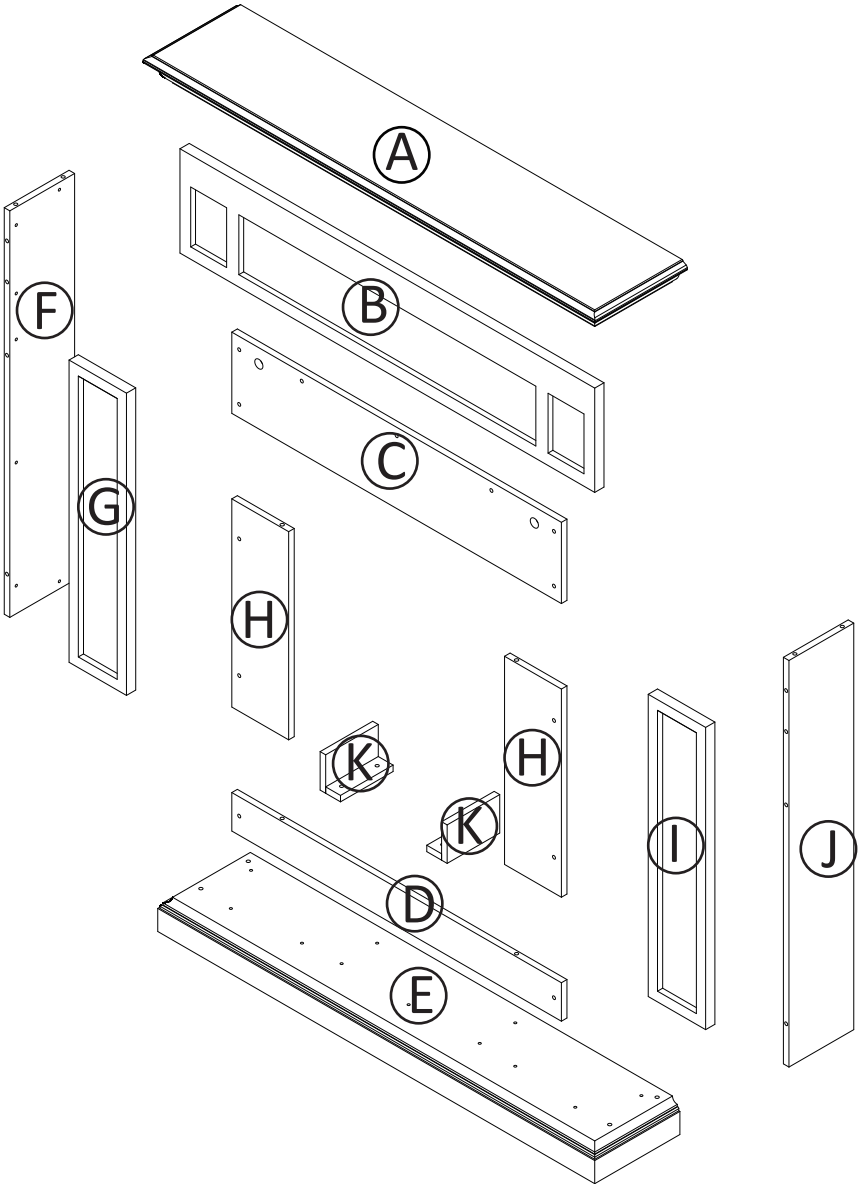
ASSEMBLY INSTRUCTION

MT321D



If you have a problem with this product, DO NOT RETURN
Call our customer service: 949-385-6588
or email: service5@fireandfireplaceservice.com

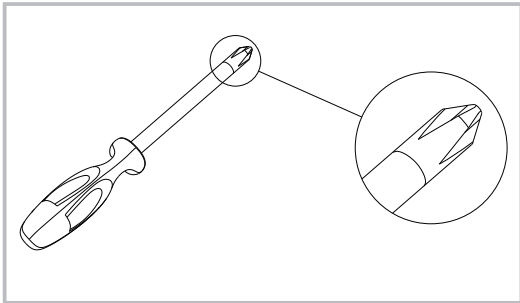
PARTS LIST

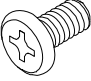
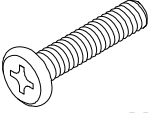
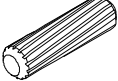
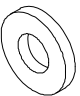
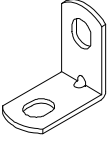
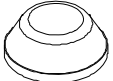
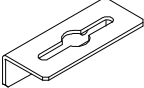
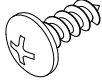
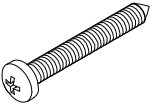
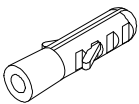


PARTS AND ACCESSORIES

Tools required:

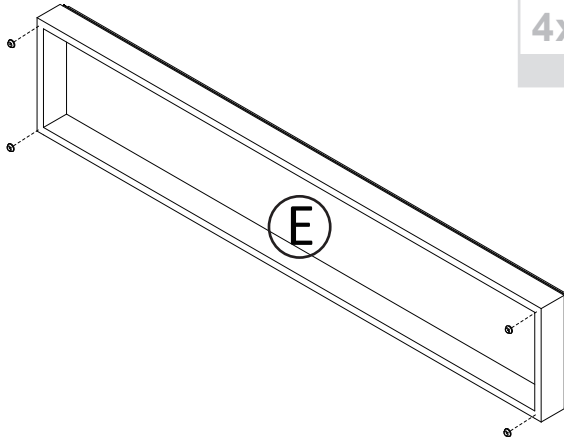
A screwdriver will be needed.



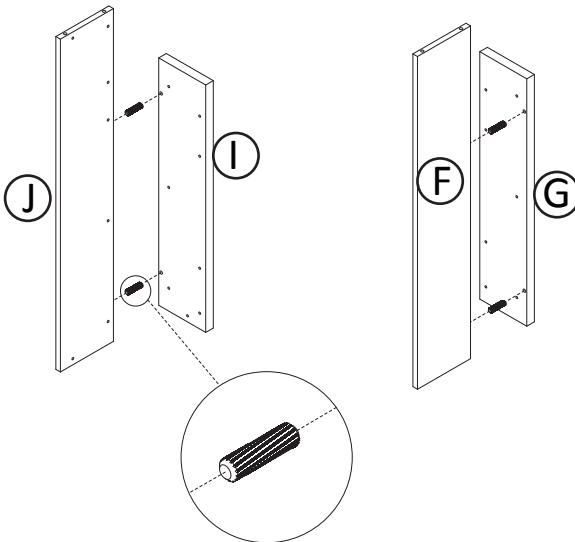
 x47 M6x12mm	 x18 M6x28mm	 x21 Ø8x30mm
 x18	 x24	 x6
 x2	 x4 ST4x16mm	 x2 ST5x40mm
 x2		

ASSEMBLY INSTRUCTIONS

01

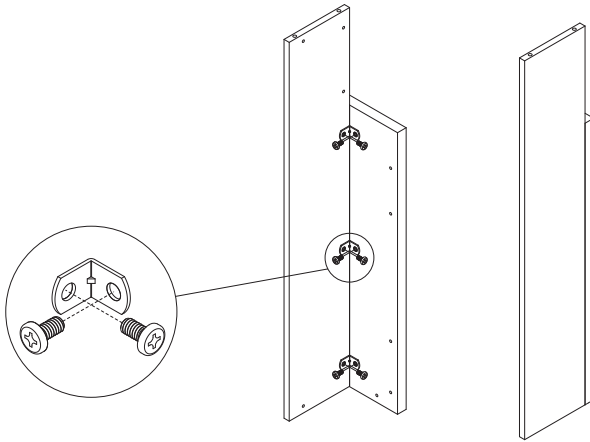


02



Carry out this assembly step on both sides

03



6x



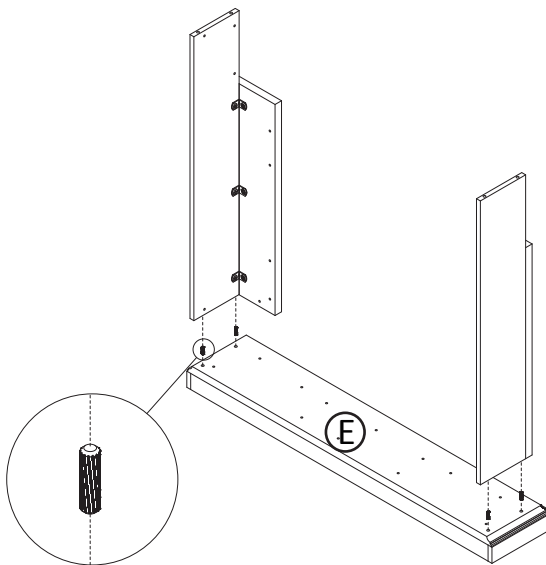
12x



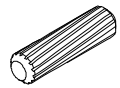
M6x12mm

Carry out this assembly step on both sides

04



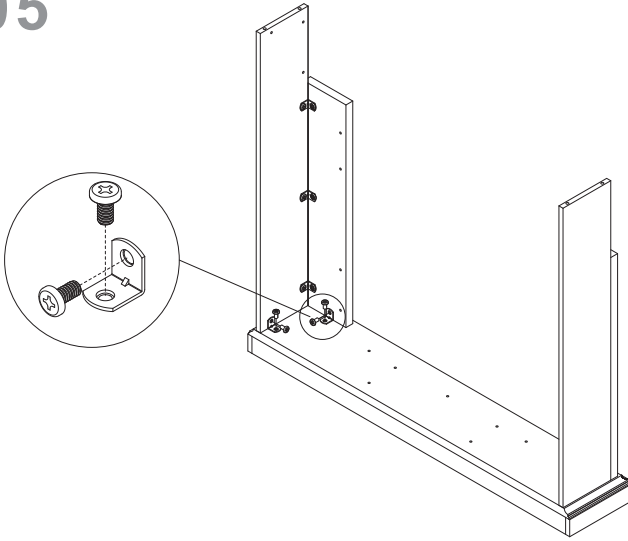
4x



Ø8x30mm

Carry out this assembly step on both sides

05



4x



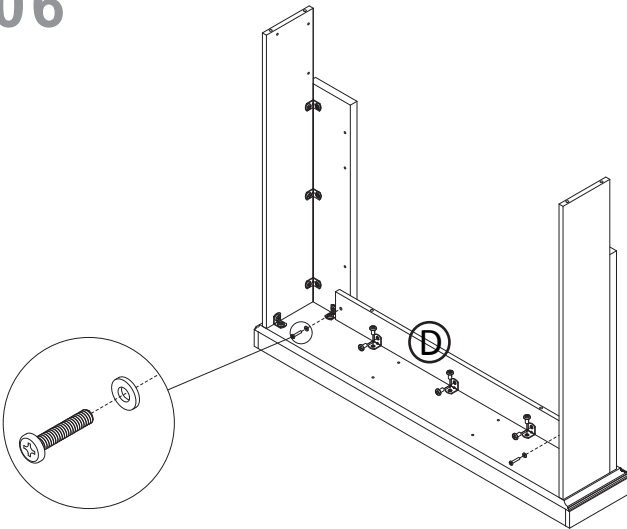
8x



M6x12mm

Carry out this assembly step on both sides

06



3x



6x



M6x12mm

2x



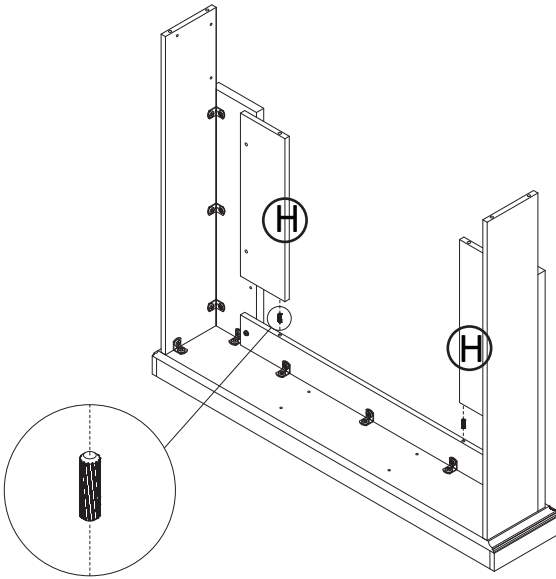
2x



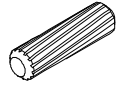
M6x28mm

Carry out this assembly step on both sides

07



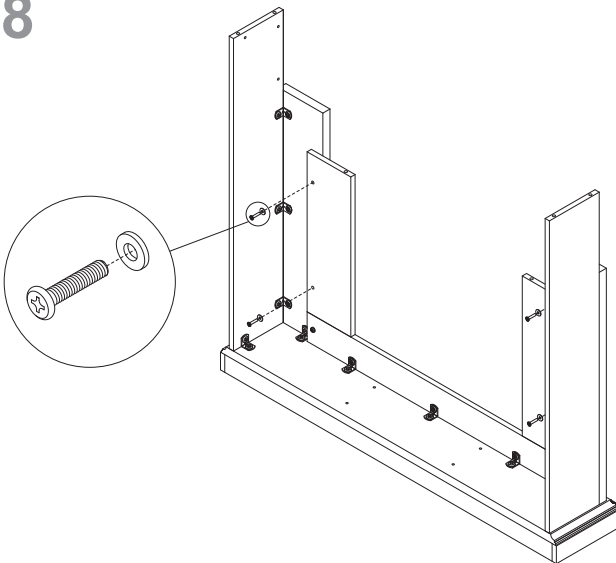
2x



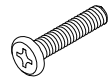
Ø8x30mm

Carry out this assembly step on both sides

08



4x



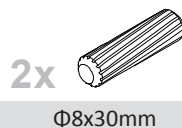
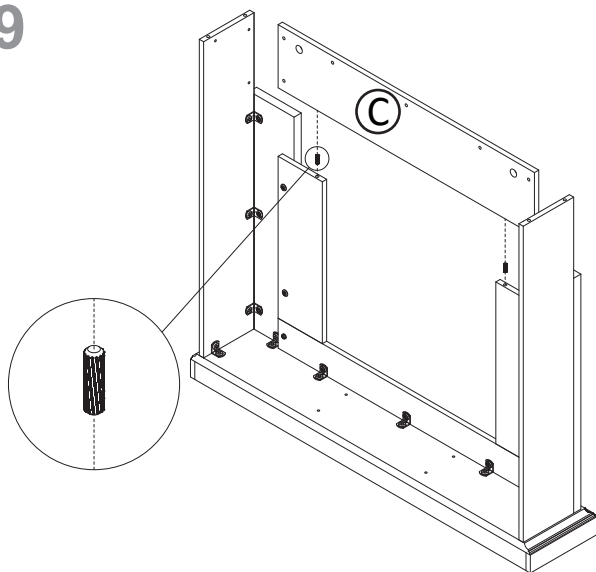
M6x28mm

4x



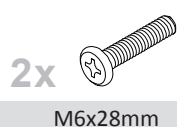
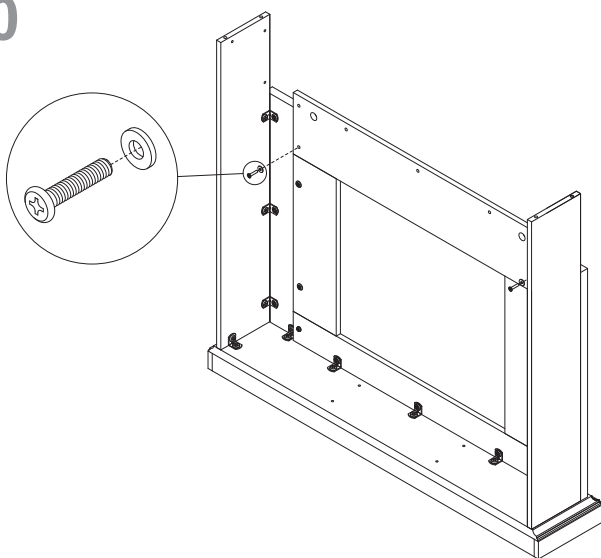
Carry out this assembly step on both sides

09



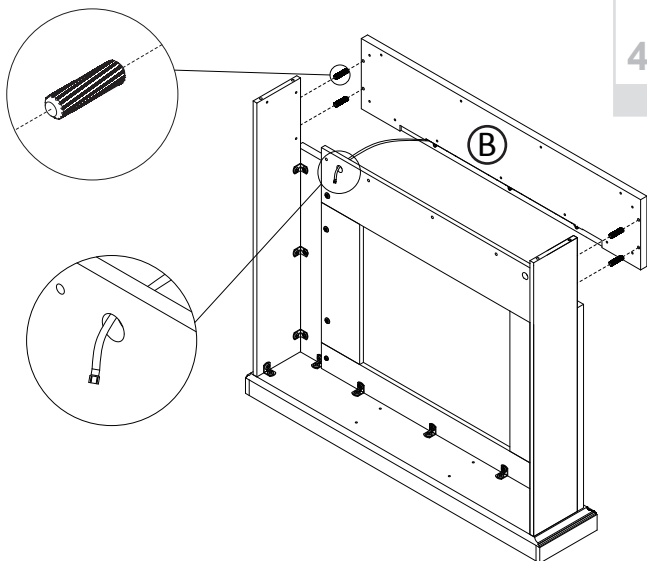
Carry out this assembly step on both sides

10

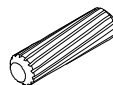


Carry out this assembly step on both sides

11



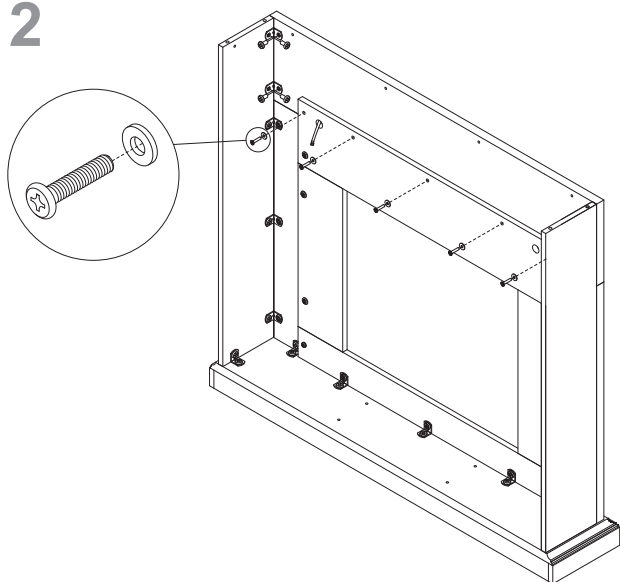
4x



Ø8x30mm

Carry out this assembly step on both sides

12



4x

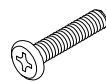


8x



M6x12mm

5x



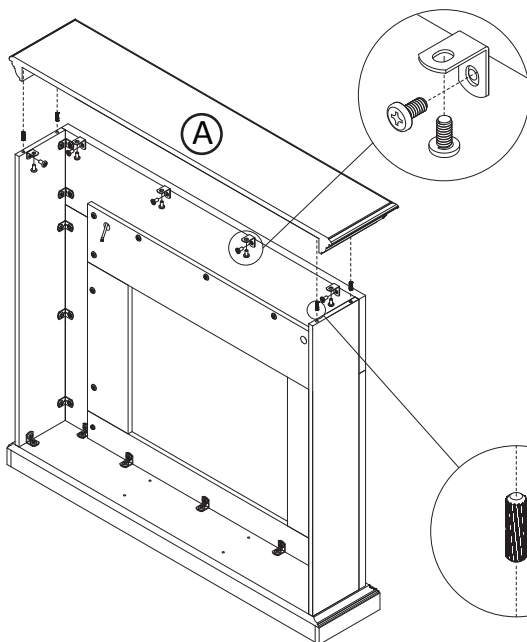
M6x28mm

5x



Carry out this assembly step on both sides

13



6x

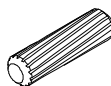


12x



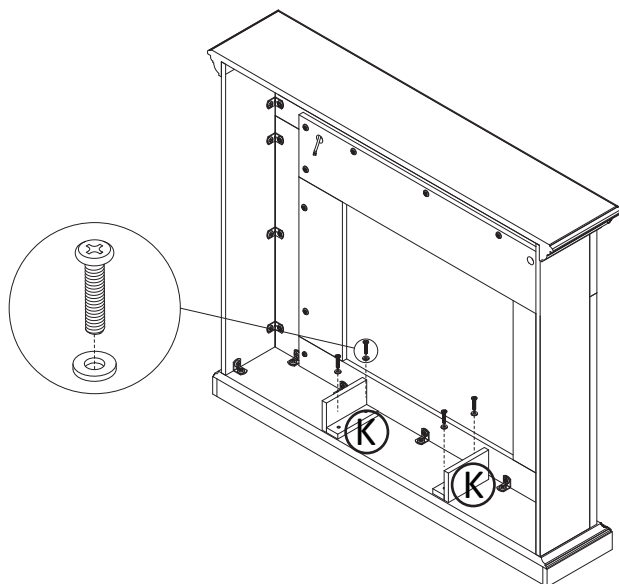
M6x12mm

4x

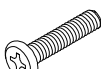


Φ8x30mm

14



4x

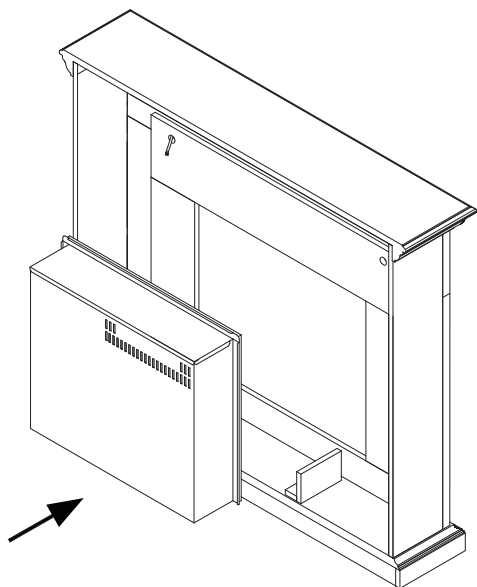


M6x28mm

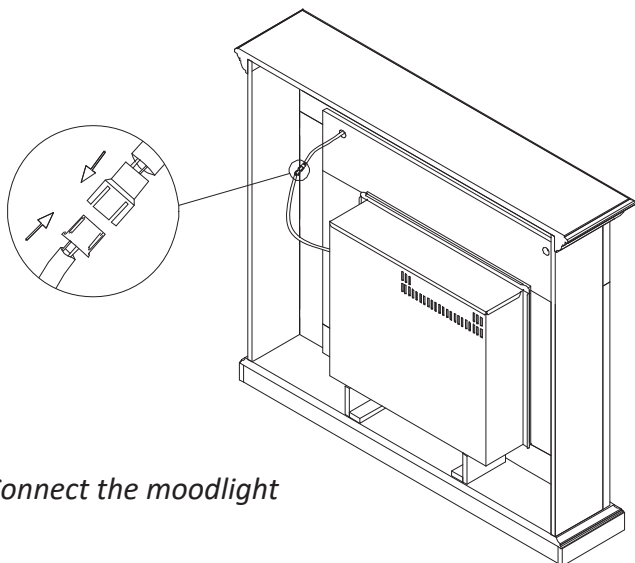
4x



15

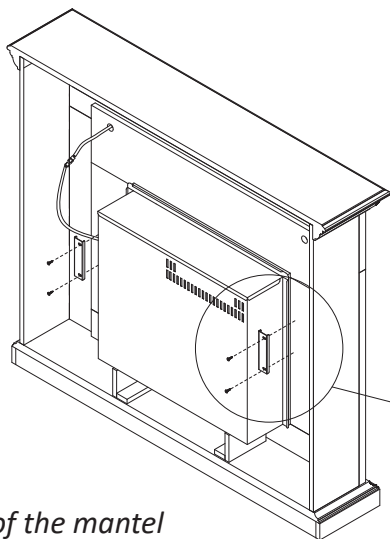



16




Connect the moodlight

17

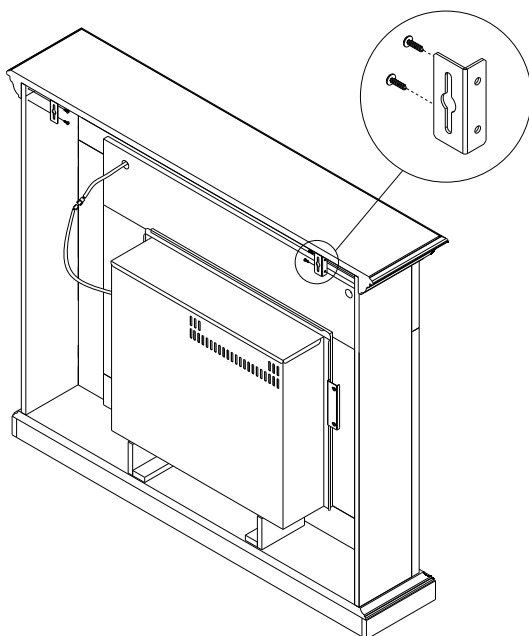


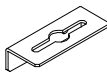
2x 
Packed with firebox


4x 
Packed with firebox

Rear side of the mantel
Use 4pcs ST4x20mm screw

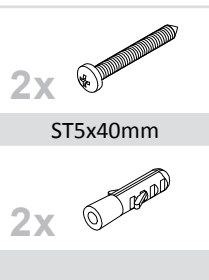
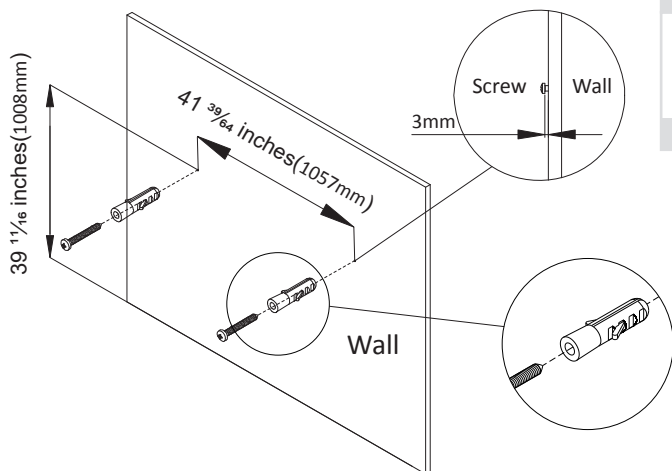
18



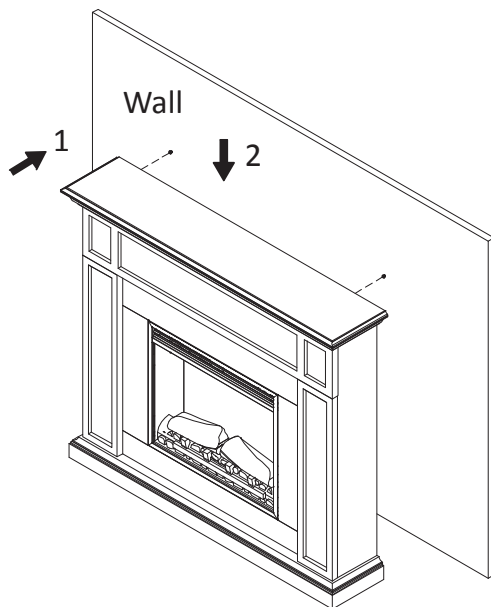
2x 
ST4x16mm

4x 

19



20



Lift the unit a little to let the screw on the wall to go into the hole of the fixing bracket, then put it down gently.

Legend Flame Group LLC
Address: 92 Corporate Park, Ste. C655 Irvine, CA 92606, United States
Tell: 949-385-6588
Email: service5@fireandfireplaceservice.com