

DECK BOX

ASSEMBLY INSTRUCTIONS

1. Gather and organize all required parts prior to assembly.
2. Assemble on a flat, clean and soft surface.

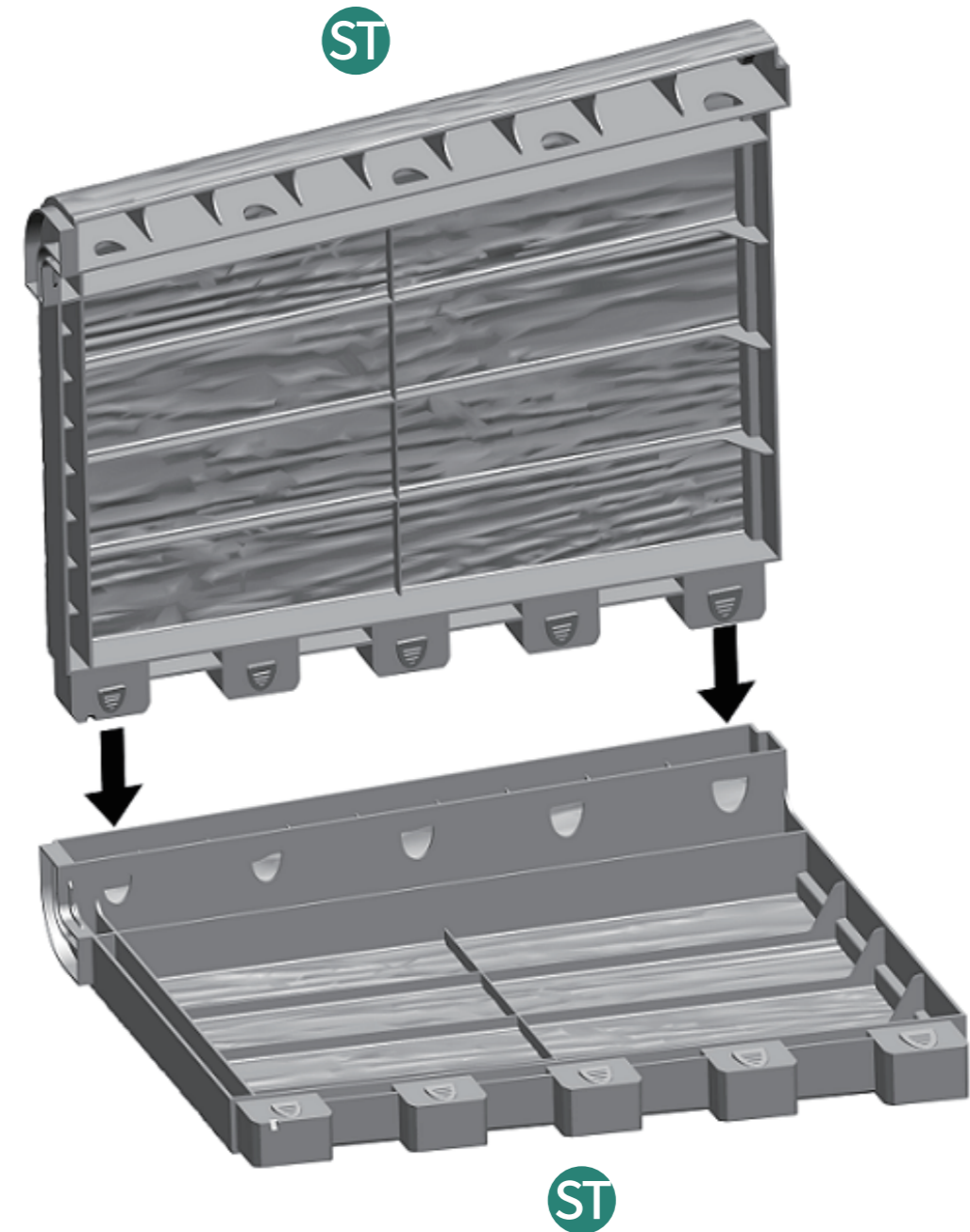
Item no.	Reference Image	Qty.
ST		X4
FT		X1
T		X1

ASSEMBLY INSTRUCTIONS

1

X2


ST 4pcs

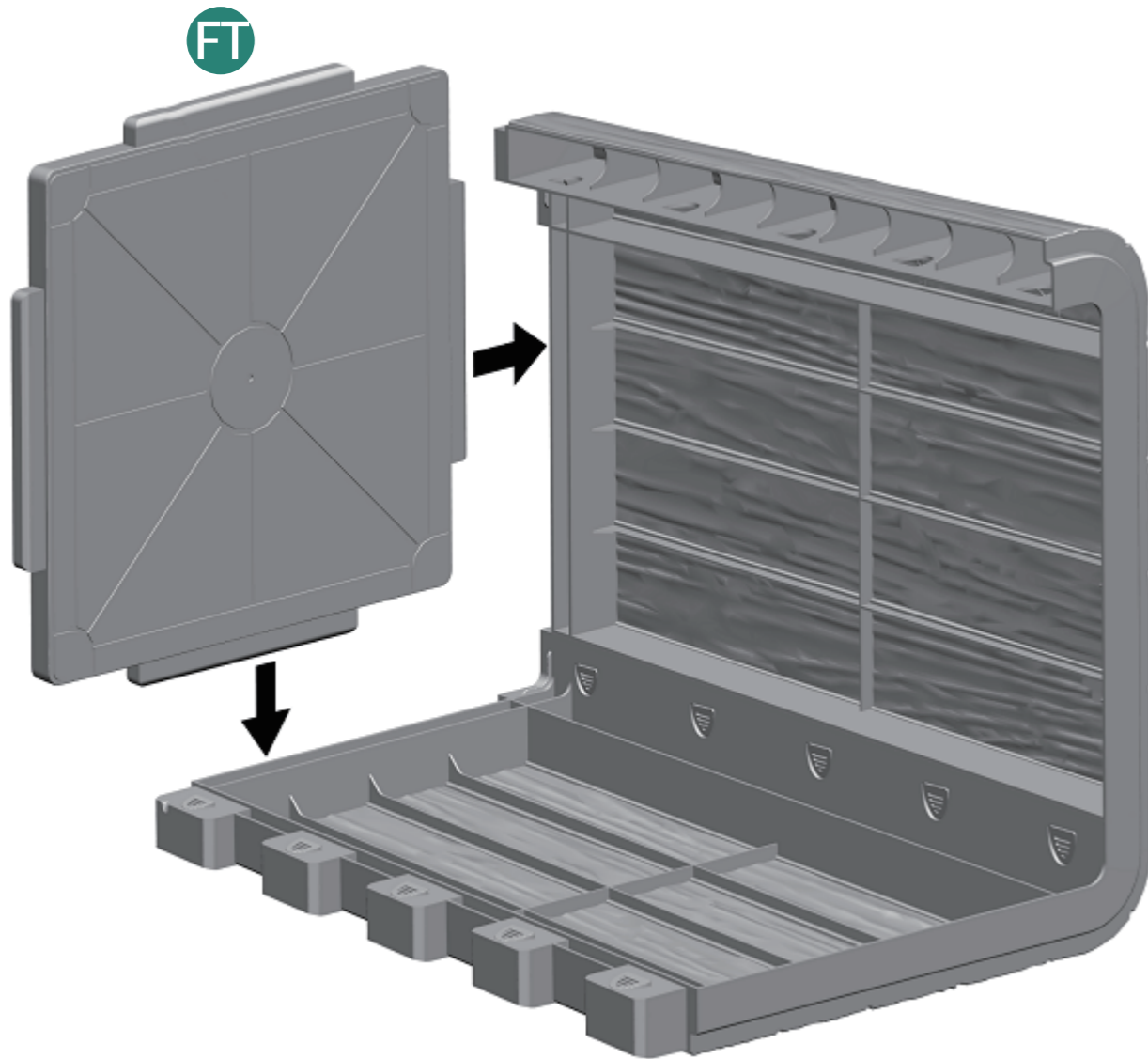


ASSEMBLY INSTRUCTIONS

2



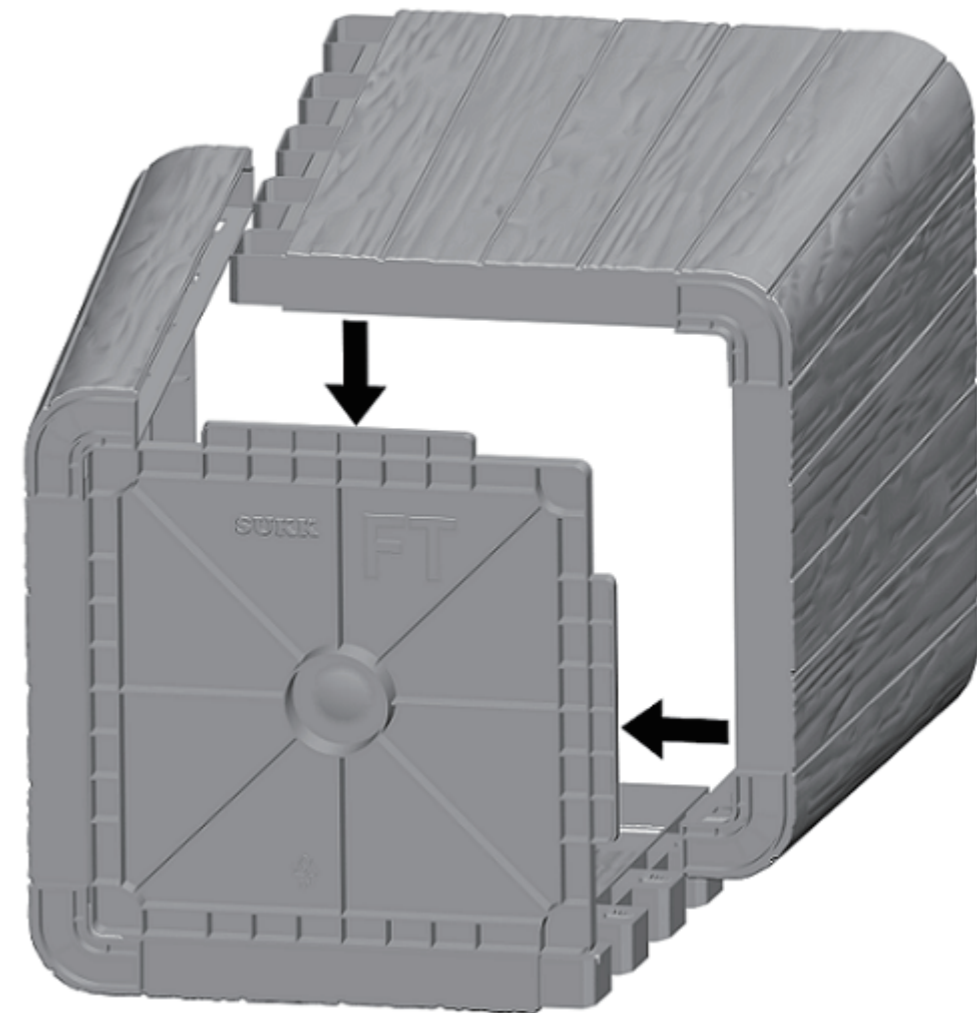
FT1pc



3

ASSEMBLY INSTRUCTIONS

3



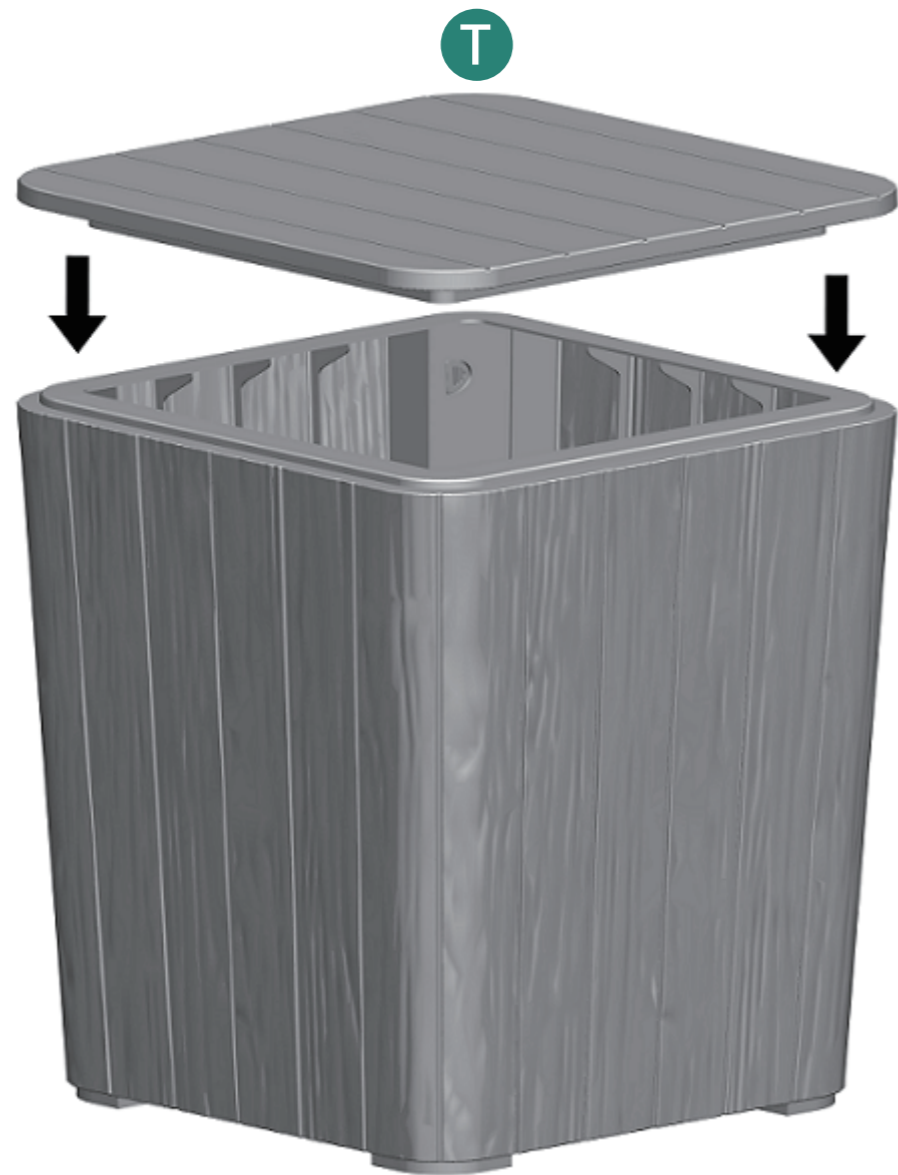
4

ASSEMBLY INSTRUCTIONS

4



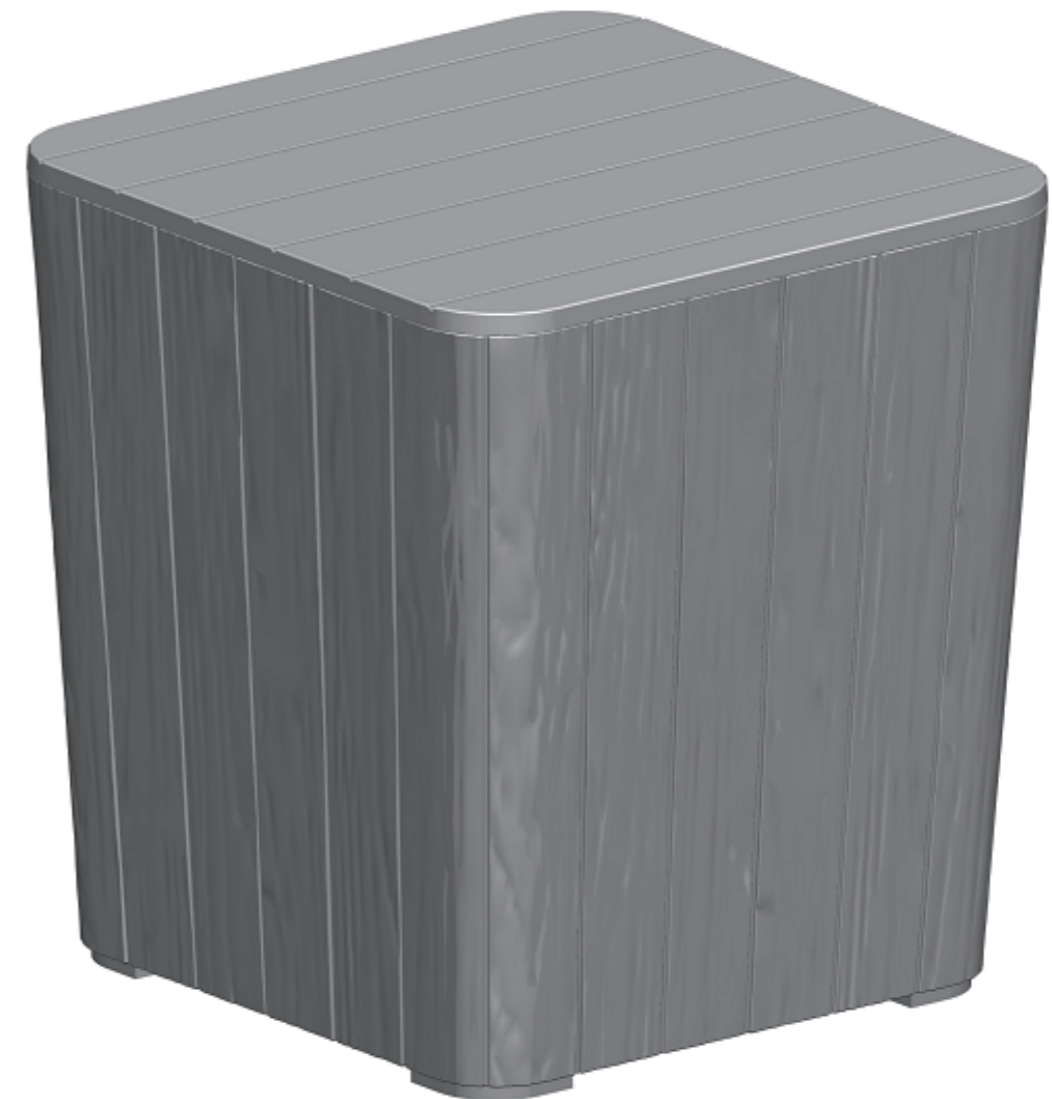
Ⓟ 1pc



5

ASSEMBLY INSTRUCTIONS

5



Installation Completed

6