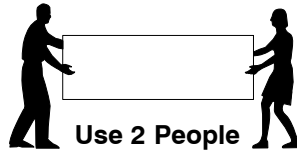
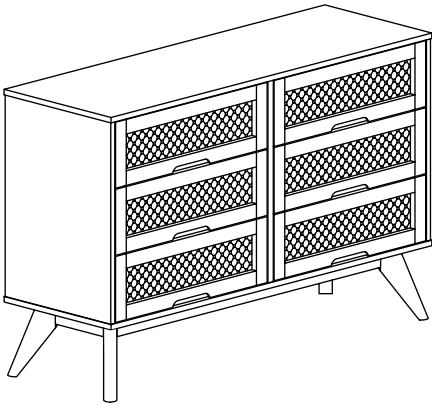


6 Drawer Dresser

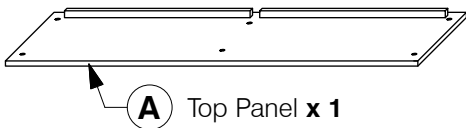
Assembly Instructions



Note: Do not assemble using power tools. This can cause the bolts to be overtightened

1 Parts List

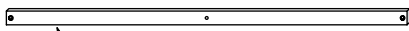
Parts in Box A:



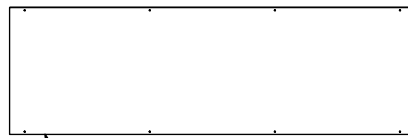
A Top Panel x 1



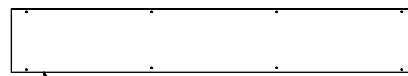
B Bottom Panel x 1



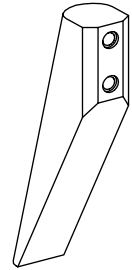
C Support Bar x 2



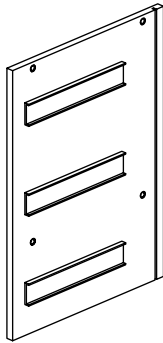
D Back Panel (Wider) x 1



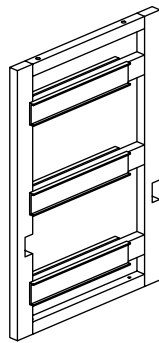
E Back Panel (Narrow) x 1



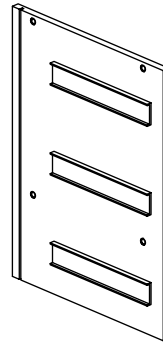
F Post x 4



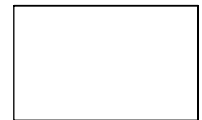
G Side Panel (Left Hand) x 1



H Center Frame x 1

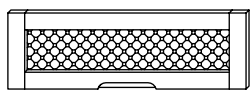


J Side Panel (Right Hand) x 1

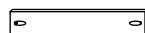


K Drawer Bottom x 6

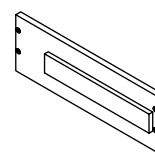
Parts in Box B:



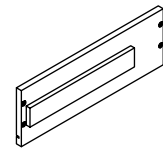
L Drawer Face x 6



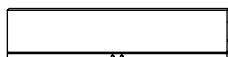
N Drawer Rail x 6



O Drawer Side (Left Hand) x 6



P Drawer Side (Right Hand) x 6



M Drawer Back x 6

6 Drawer Dresser

Assembly Instructions

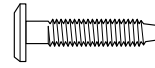
2 Hardware List



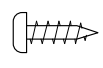
1 M6 x 15mm JCB
x 16



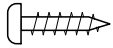
2 M6 x 60mm JCB
x 8



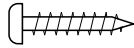
3 M6 x 35mm JCB
x 4



4 Wood Screw (M4 x 16mm)
x 16



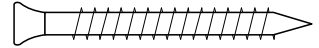
5 Wood Screw (M4 x 20mm)
x 24



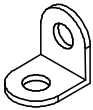
6 Wood Screw (M4 x 25mm)
x 60



7 M6 x 25mm Wood Dowel
x 24



8 CSK Cap Wood Screw (M6 x 50mm)
x 6



9 'L' Bracket (5005-3)
x 8



10 Spring Washer
x 8



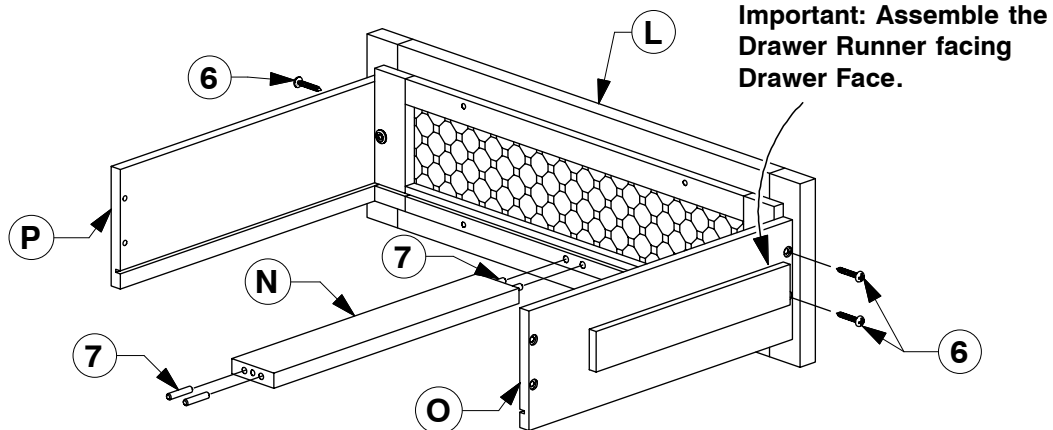
11 Flat Washer
x 8



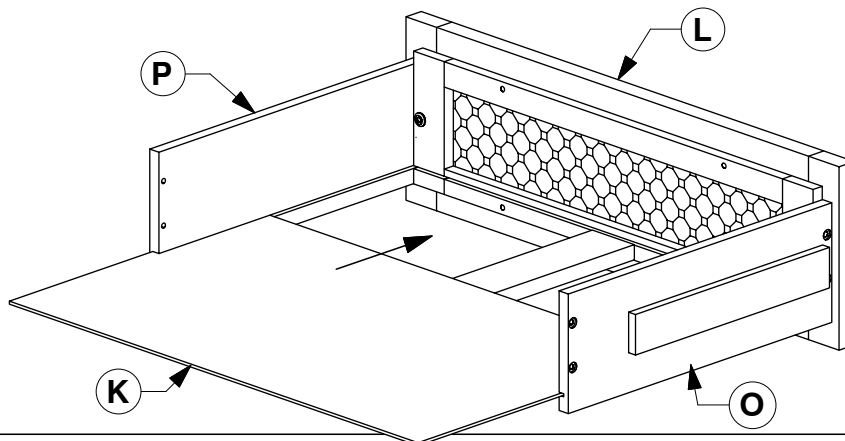
12 Allen Key
x 1

3 Assemble the Drawer Sides (O & P) & Drawer Rail (N) to the Drawer Face (L).

x6



4 Slide the Drawer Bottom (K) into the groove on the Drawer Sides (O & P).

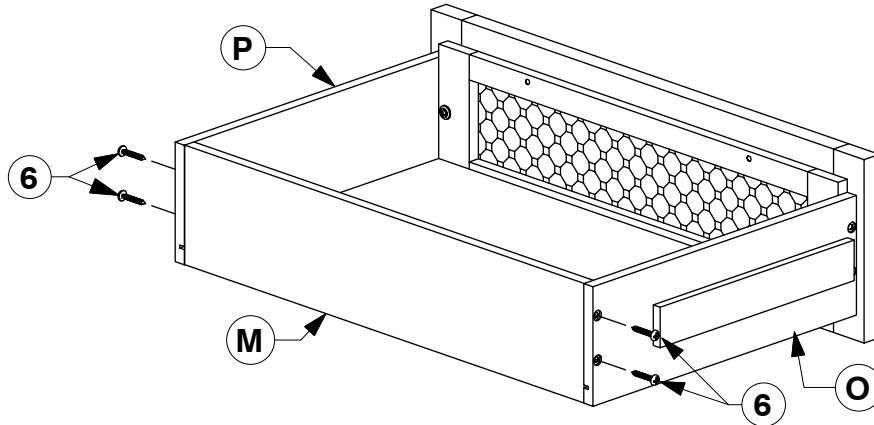


6 Drawer Dresser

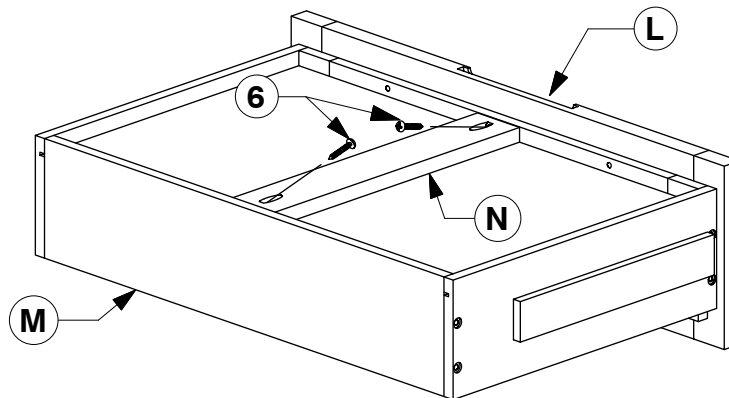
Assembly Instructions

- 5** Assemble the Drawer Back (M) to the Drawer Sides (O & P).

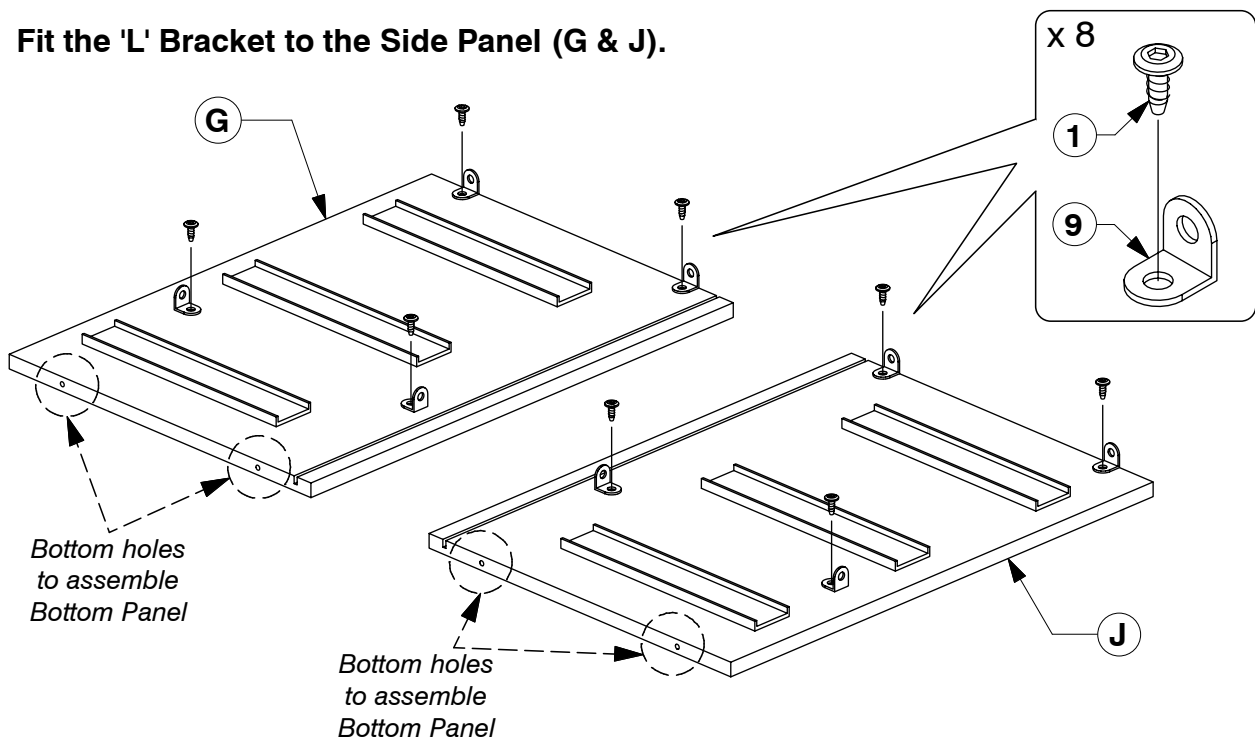
x6



- 6** Turn the Drawer over to fit angled 25mm Wood screws (6) to the Drawer Rail (N).



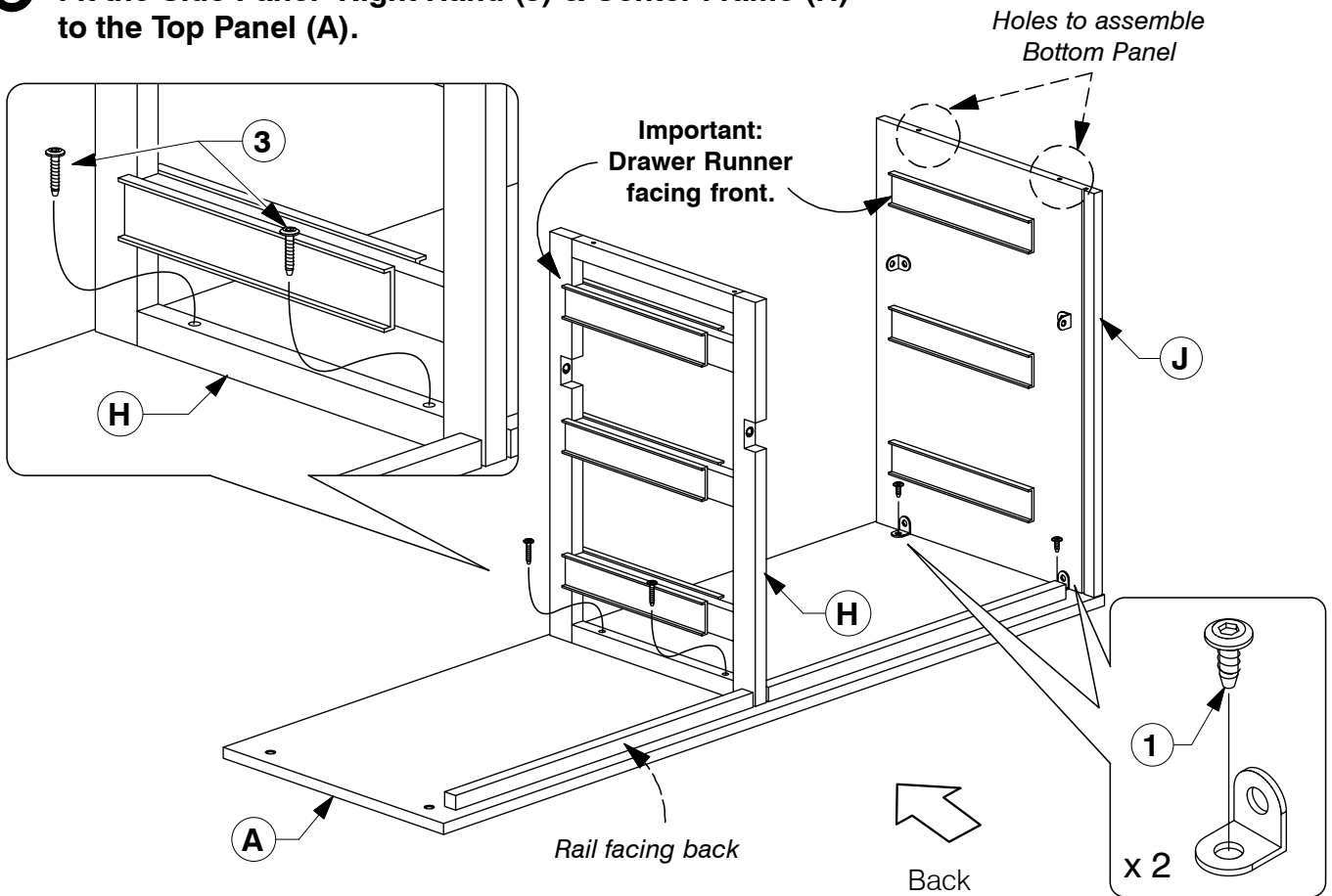
- 7** Fit the 'L' Bracket to the Side Panel (G & J).



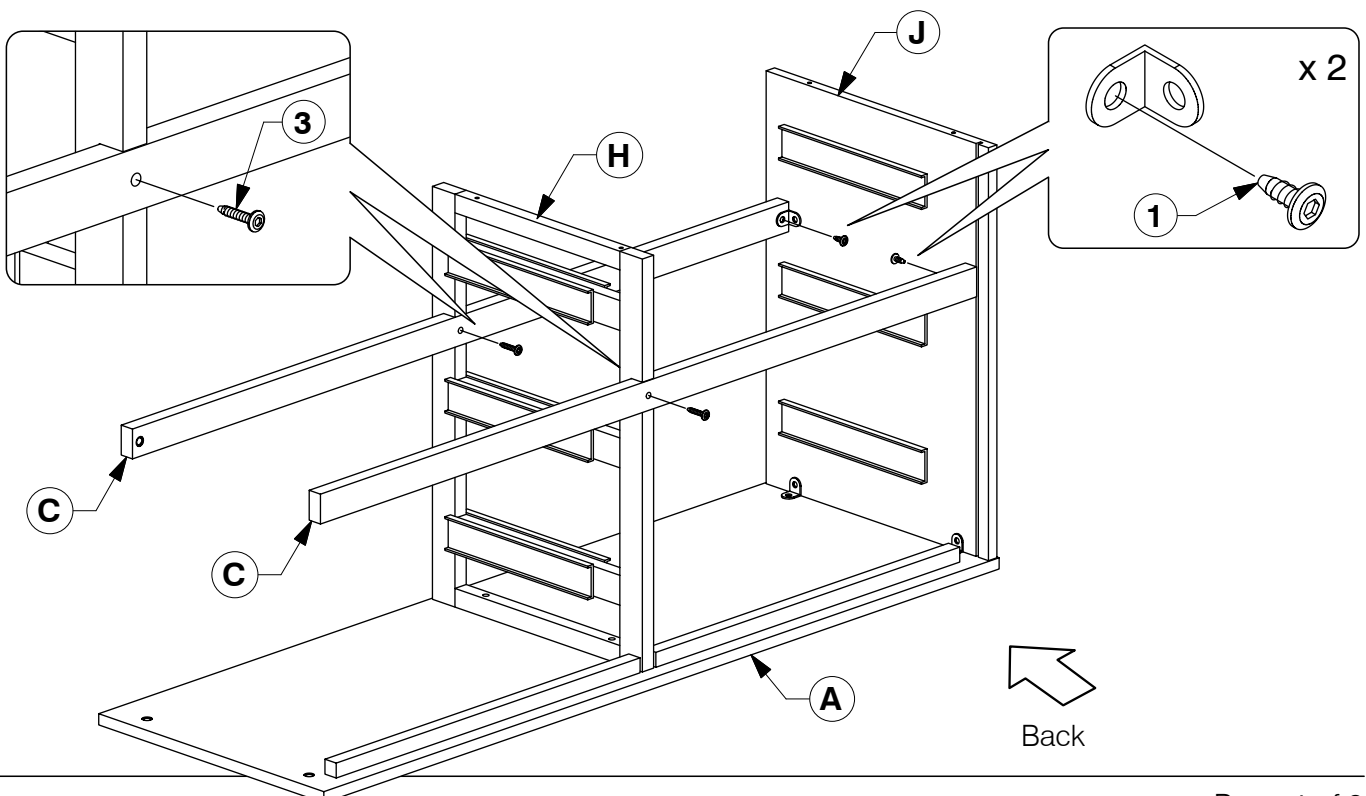
6 Drawer Dresser

Assembly Instructions

- 8** Fit the Side Panel- Right Hand (J) & Center Frame (H) to the Top Panel (A).



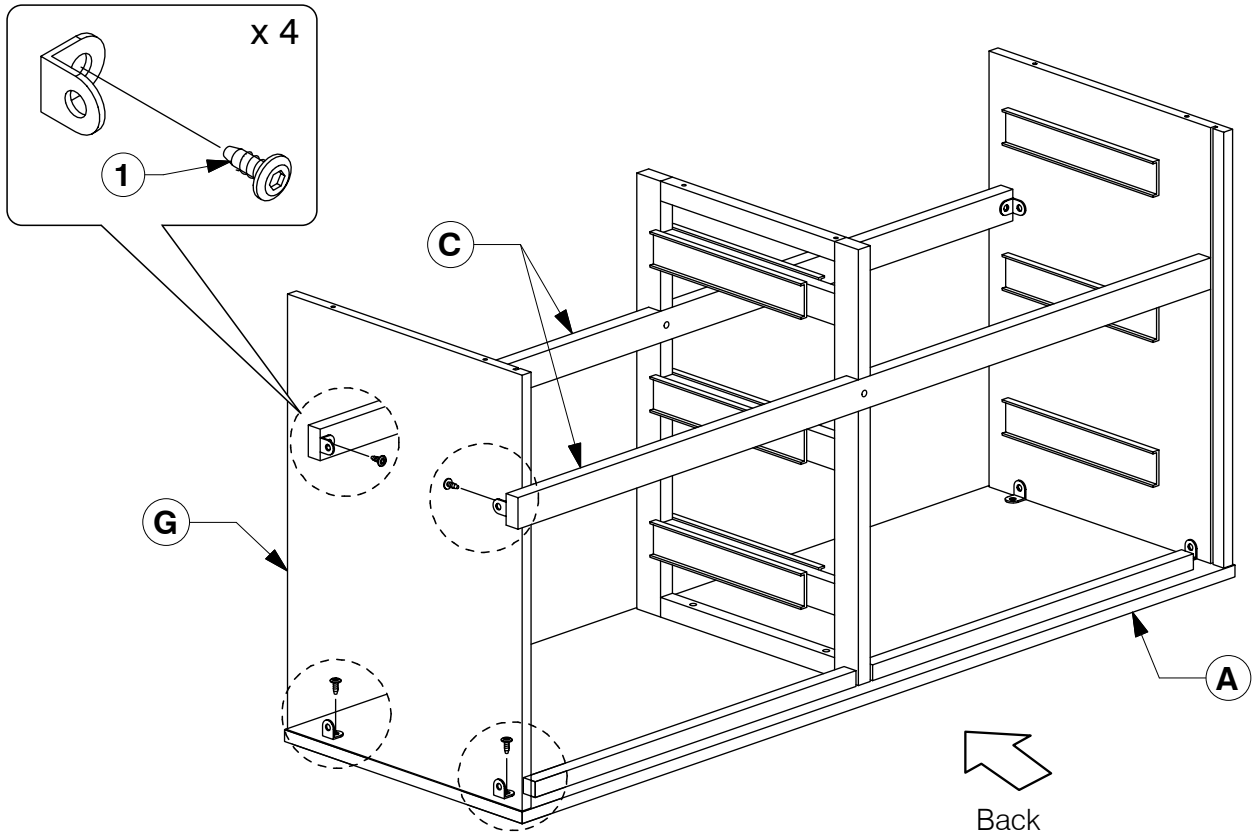
- 9** Fit the Support Bar (C) to the Side Panel- Right Hand (J) & Center Frame (H) as shown.



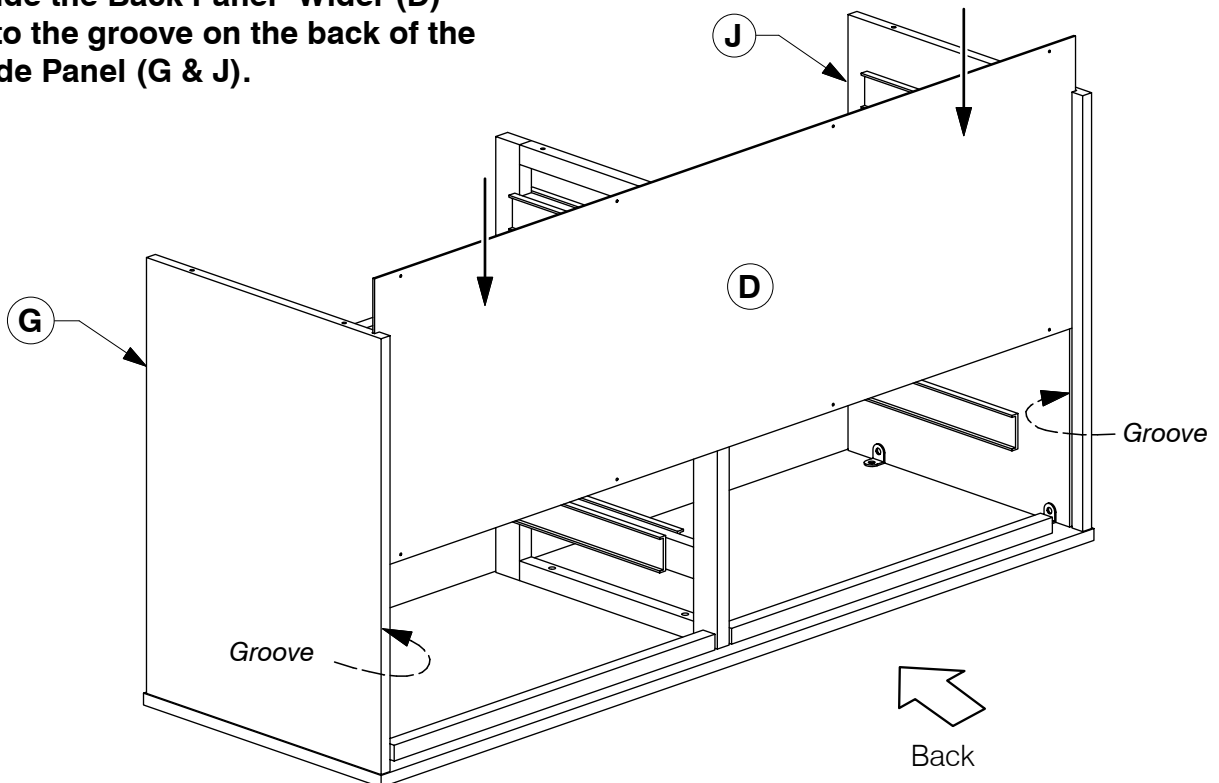
6 Drawer Dresser

Assembly Instructions

- 10** Fit the other side of Side Panel- Left Hand (G) to the Top Panel (A) & Support Bar (C).



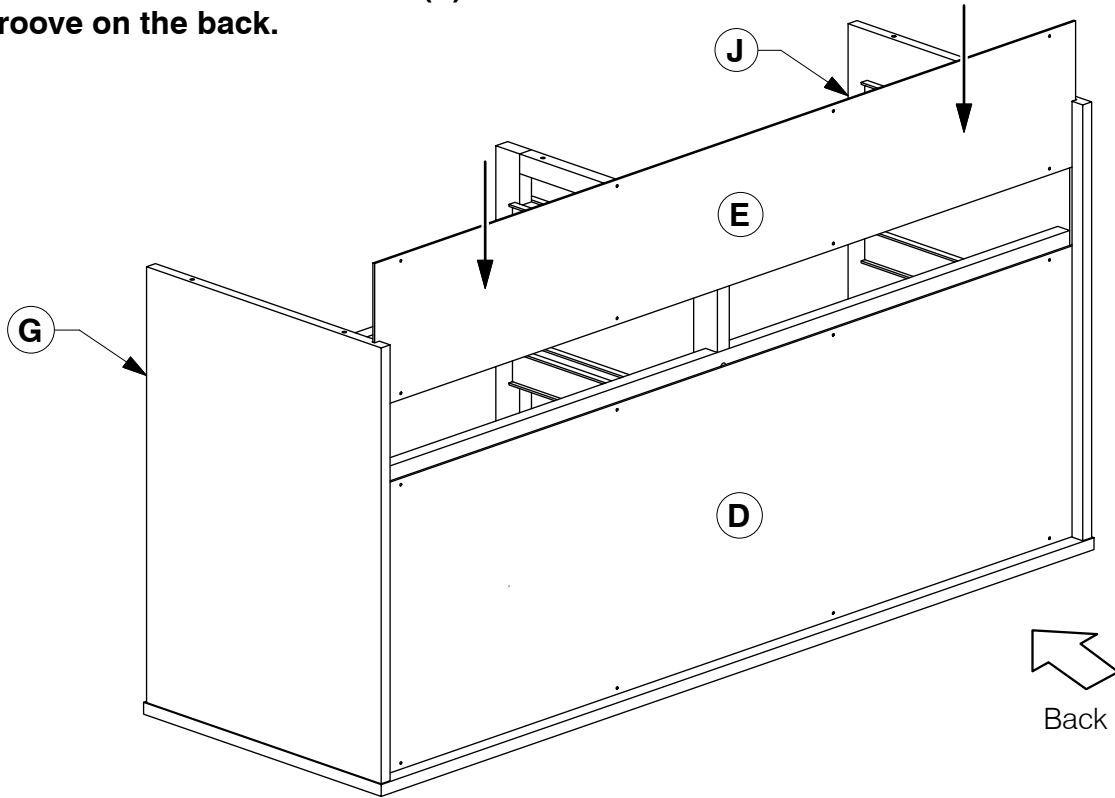
- 11** Slide the Back Panel- Wider (D) into the groove on the back of the Side Panel (G & J).



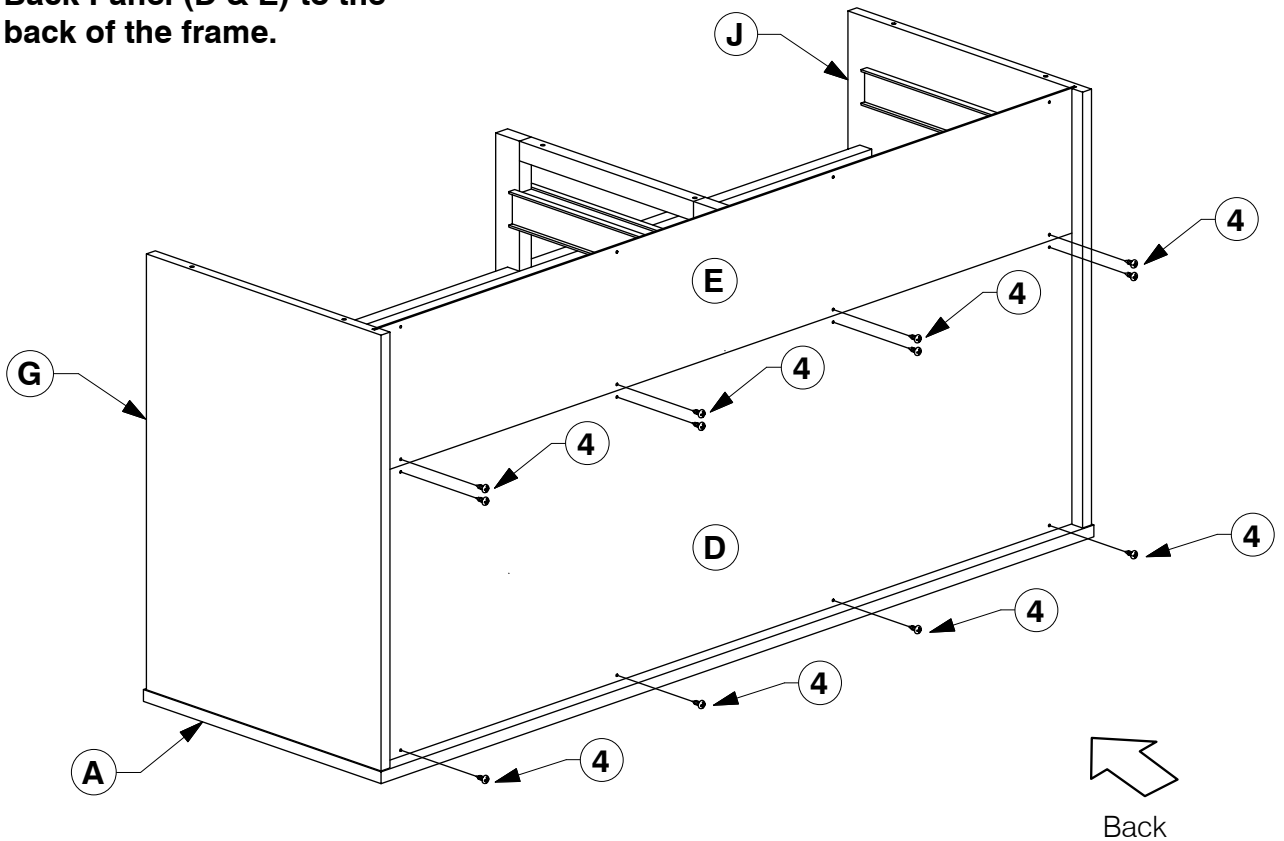
6 Drawer Dresser

Assembly Instructions

- 12** Slide the Back Panel-Narrow (E) into the groove on the back.



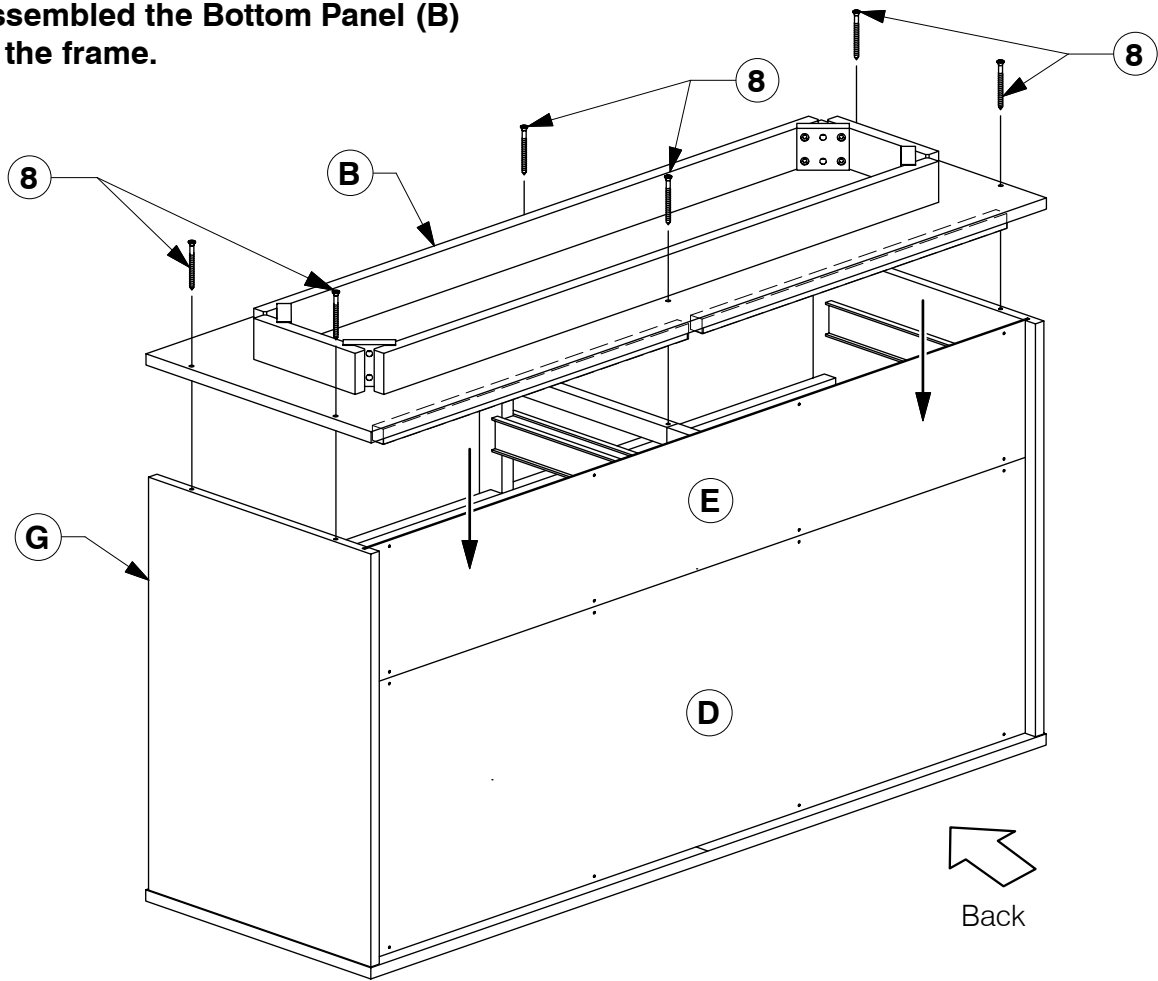
- 13** Use screws to tighten the Back Panel (D & E) to the back of the frame.



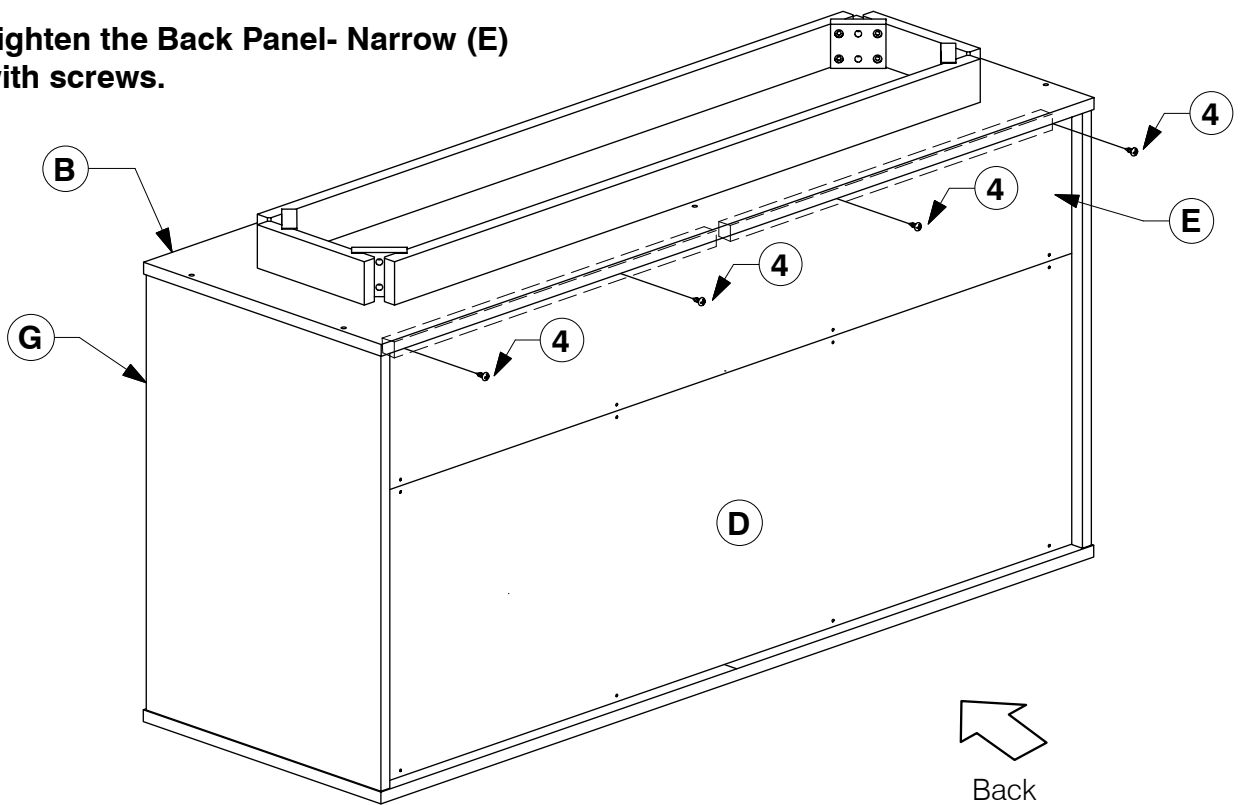
6 Drawer Dresser

Assembly Instructions

- 14** Assembled the Bottom Panel (B) to the frame.



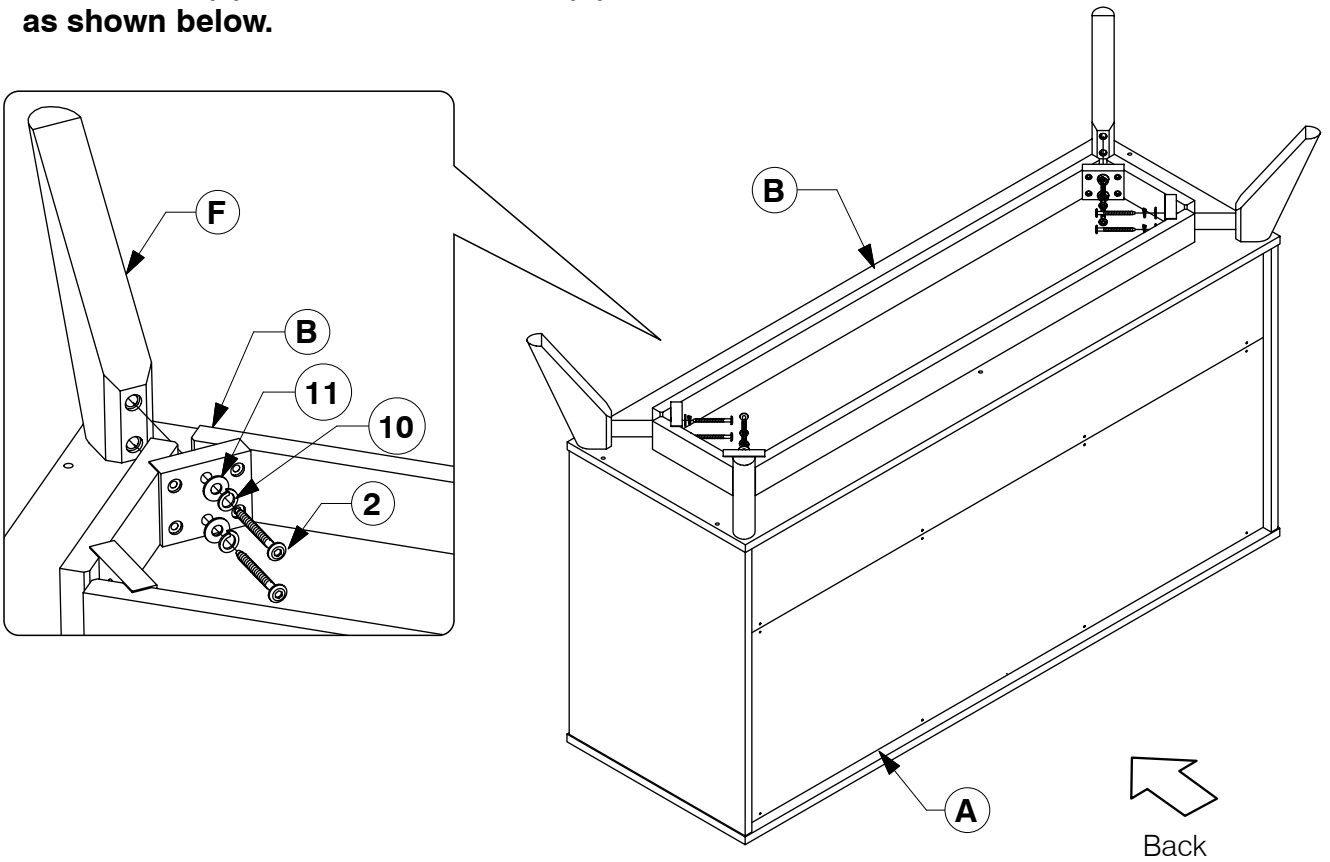
- 15** Tighten the Back Panel- Narrow (E) with screws.



6 Drawer Dresser

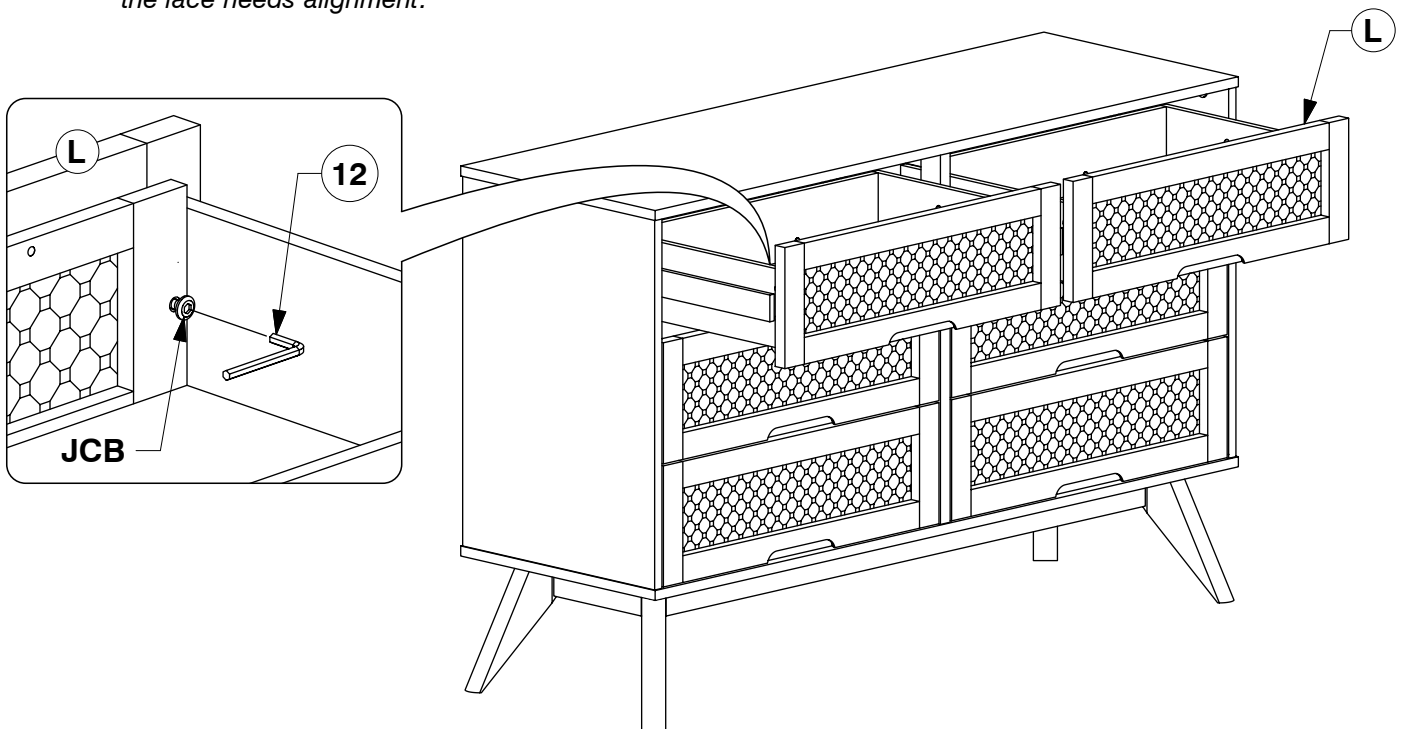
Assembly Instructions

- 16** Fit the Post (F) to the Bottom Panel (B) as shown below.



- 17** Fit and adjust the Drawer Face (L).

* NOTE: Before fitting the Wood Screws.
Loosen the JCBs on the Drawer Face if
the face needs alignment.



6 Drawer Dresser

Assembly Instructions

- 18** After the Drawer Faces (L) are aligned, secure with wood screws.

