

# Installation Guide

## TWO-PIECE TOILET



## Prior to Unpacking



- Overall package weighs over 100 pounds! Two people are required to carefully unpack the product to avoid personal injuries or accidental damage to the item.
- Each item is carefully packed in customized foam. However, violent handling and shipping might crack the item. Observe potential damage while unpacking.
- The tank lid is separately placed between foam for protection in transit. Unpack with care.



TEAM LIFT



FRAGILE

## Prior to Installation

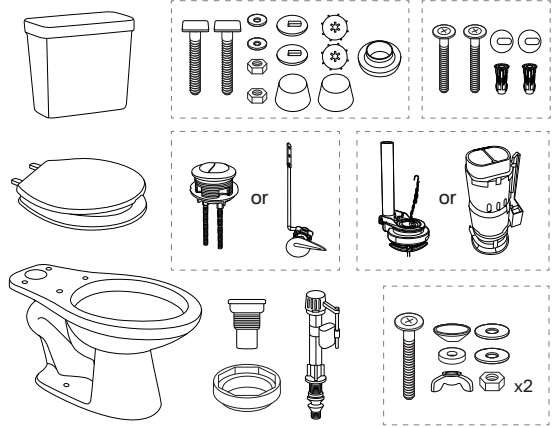


- Inspect the toilet to ensure no damages have occurred during transit.
- Observe all plumbing and building codes in accordance with your state and local requirements.
- All dimensions are nominal. Actual size of item received might vary by up to 1/8 inch. Make sure to measure your toilet before installation.
- Confirm that the item received will fit in the intended location and that plumbing fixtures are located where legally required before installation begins.
- The step-by-step guide in the installation instructions is for general reference only. Should there be any discrepancies, Eridanus cannot be held liable. It is recommended that all Eridanus products be installed by a licensed professional.
- Read installation and maintenance instructions thoroughly before installing. Be sure to use proper tools and always wear proper personal safety equipment.
- Two people are required to handle and install the toilet to avoid personal injuries or accidental damage to the item.
- Diagrams are for general display and do not represent a specific model.

**Checklist** ...

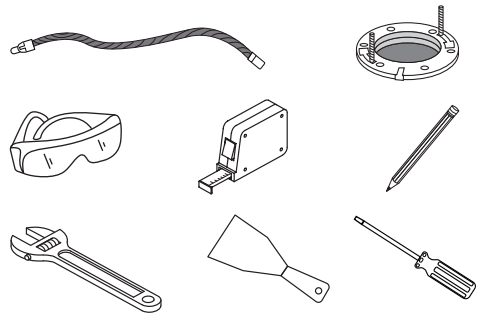
**• What's in the Box**

- a. Toilet Bowl
- b. Toilet Seat
- c. Toilet Tank with Lid
- d. Flush Lever / Button
- e. Tank-to-Bowl Gasket
- f. Wax Ring Gasket
- g. Fill Valve Assembly (pre-installed)
- H. Water Inlet Valve Adapter
- I. Tank-to-Bowl Mounting Kit
- J. Toilet Seat Mounting Bolt Kit
- K. Floor Mounting Bolt Kit



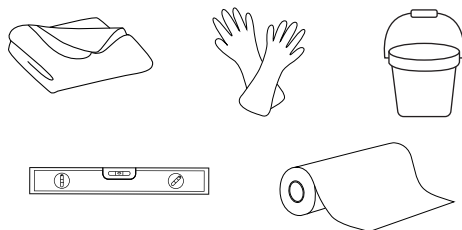
**• Extra Parts/Tools Required**

- i. Supply Line
- ii. Closet Flange & Bolts
- iii. Safety Glass
- iv. Tape Measure
- v. Adjustable Wrench
- vi. Screwdriver
- vii. Putty Scraper
- viii. Pencil/Marker



**• Extra Tools Optional**

- ix. Soft Cloth / Tarp
- x. Paper Towels
- xi. Disposable Gloves
- xii. Bucket
- xiii. Level



## Installation Preparation

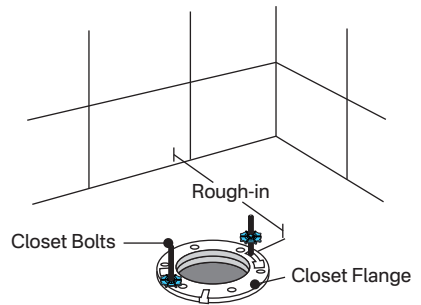


### • Remove Old Toilet

- To replace the original toilet, shut off the water supply valve and flush tank completely. Disconnect and remove the supply line.
- Clear the sealant around the toilet base, unscrew the bolts, and remove the toilet.
- Remove closet bolts from the toilet flange and clean wax and putty using putty knife. Clean the floor.

### • Confirm Rough-in & Levelness

- Measure the distance from the wall to the centerline of the flange. While most bathrooms have a 12-inch (305mm) rough-in, 10-inch and 14-inch are two common rough-in sizes, too. Make sure the purchased model matches the rough-in measurement in your bathroom.
- Make sure the area for toilet is clean, dry, and level.
- Inspect existing closet flange. Replace if necessary.
- Temporarily plug the flange with a towel or flange plug.



**REMINDER** When replacing the flange, always remember to lock the nuts into position to prevent the toilet from shifting over time and damaging the wax seal.

## Toilet Bowl Installation



### • Step 1: Apply Wax Ring Gasket

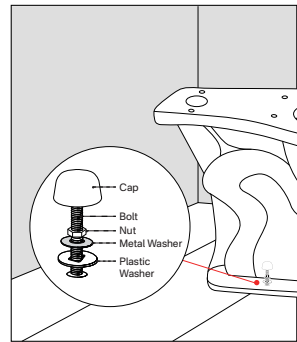
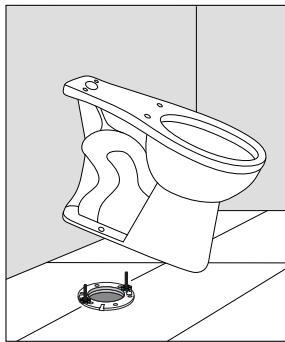
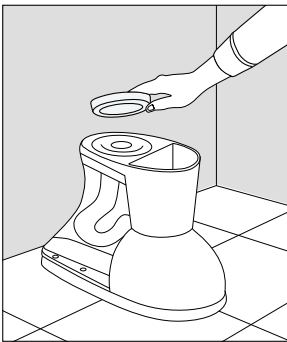
- Carefully place the toilet bowl upside down on a soft cloth or cardboard to prevent scratching the ceramic surface.
- Firmly press a new wax ring onto the trapway outlet at the bottom of the bowl.

### • Step 2: Position Bowl onto Flange

- Align the toilet bowl over the floor flange and lower it gently so the closet bolts pass through the mounting holes in the base.

### • Step 3: Secure Floor Bolts

- Place a plastic washer, then a metal washer, followed by a nut onto each bolt.
- Hand-tighten the nuts evenly. Do not over-tighten, as it may crack the ceramic.
- Verify the bowl is level from side to side and front to back. Then snap on the bolt caps.



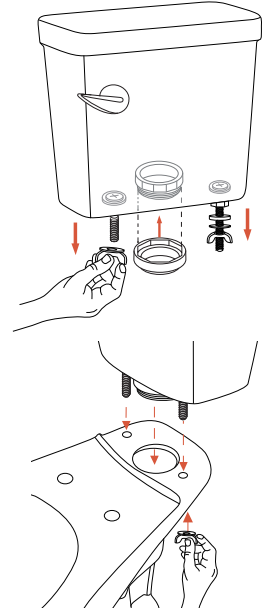
### Toilet Tank Installation

#### • Step 1: Install Tank Seal Gasket

- Place the tank-to-bowl rubber gasket over the flush valve outlet on the bottom of the tank, ensuring it sits snugly with no gaps.
- The tank mounting bolts come pre-assembled with rubber washers, metal washers, and wing nuts. Remove these parts from the bolts and set them aside for the next step.

#### • Step 2: Attach Tank to Bowl

- Carefully align the tank with the mounting holes on the toilet bowl. Ensure the bolts pass through the holes in the bowl.
- Secure the tank by tightening the wing nuts alternately and gradually on each side to evenly distribute pressure and ensure the tank is stable. Do not overtighten.



### Toilet Seat Installation

#### • Step 1: Align the Seat to Bowl

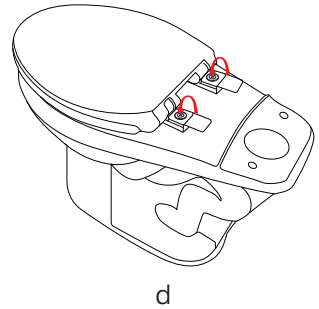
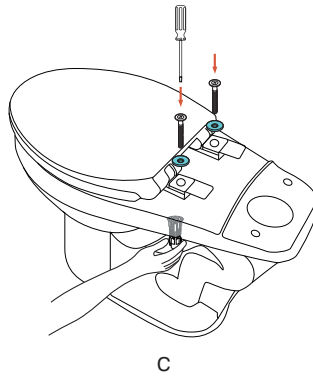
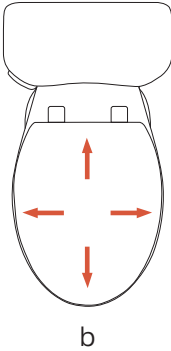
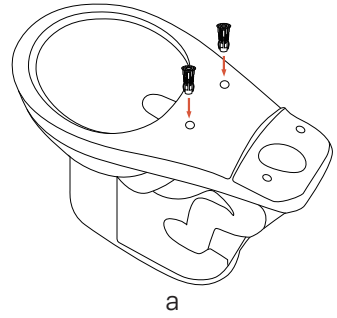
- Insert the expansion anchors into the mounting holes on the toilet bowl.
- Place the toilet seat hinges over the holes and adjust the seat so it aligns evenly with the bowl.

#### • Step 2: Secure the Seat

- Place a metal washer onto each mounting bolt.
- Insert the bolts through the toilet seat hinges and into the plastic anchors.
- While tightening the bolts, continue adjusting the seat for proper alignment.

d) Once the seat is positioned correctly and firmly attached, close the hinge covers.

**⚠ Note:** Use one hand underneath the bowl to hold the expansion anchors in place during tightening to prevent them from spinning.



## Toilet Seat Installation

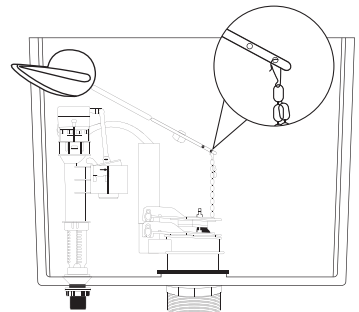


**⚠ Note:** The fill valve assembly is pre-installed. The flush button or lever may require adjustment based on actual use.

### • For Single Flush Models:

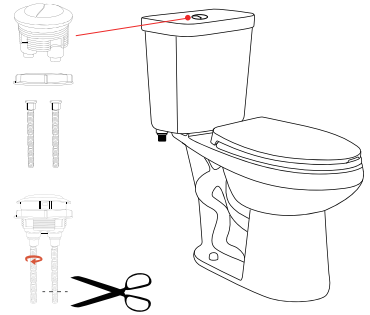
a) Attach the flapper chain to one of the holes at the end of the flush lever arm.

b) Adjust the flushing force by changing the chain length—ensure there is a slight slack when the flapper is closed to allow proper sealing.



## • For Dual Flush Models:

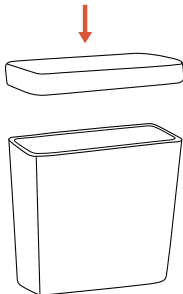
- Insert the push button into the opening on the tank lid.
- Secure the button by tightening the lock nut from underneath.
- Adjust the actuator rods by extending or shortening them through rotation or cutting, as needed, to ensure proper contact with the flush valve.



## Final Installation & Inspection



- Place the tank lid on top of the toilet tank.
- Apply a bead of sealant around the base of the toilet, smooth it out and remove any excess.
- Connect the water supply line to the fill valve inlet at the bottom of the tank.
- Turn on the water supply and flush the toilet several times to check for any leaks around the base, tank bolts, or water supply line.



## Contact Information

✉ Email

support@eridanus.net

Eridanus toilets are meticulously constructed with solid vitreous china and have undergone strict quality inspections. With proper care and cleaning measures, Eridanus toilets will keep in new condition and function well for an extended period of time.

### General Care

- It's recommended to clean Eridanus toilets on a regular basis to avoid grime and mineral build-ups or deposits.
- Shut off water supply and clear up tank and fittings once in a while to maintain best flushing performance.
- For leakage or flushing problems, it's always recommended to consult with a professional to address and solve specific issues.

#### Do's



- ✓ Rinse thoroughly and make sure there is no residue after every use and cleaning session.
- ✓ Freshen up the glaze using mild solutions on a regular basis.
- ✓ Clean the toilet and seat on a regular basis.
- ✓ Always use flushable wipes.



Mild Detergent



Soft Cloth

#### Don'ts



- ✗ Avoid using harsh cleaners or abrasive brushes.
- ✗ Avoid using bleach tablets in the tank.
- ✗ Avoid dropping heavy or sharp objects onto the bowl.
- ✗ Avoid flushing non-flushable items.
- ✗ Avoid waste accumulation in the bowl.



Abrasive Brushes



Heavy Object

# Installation Guide