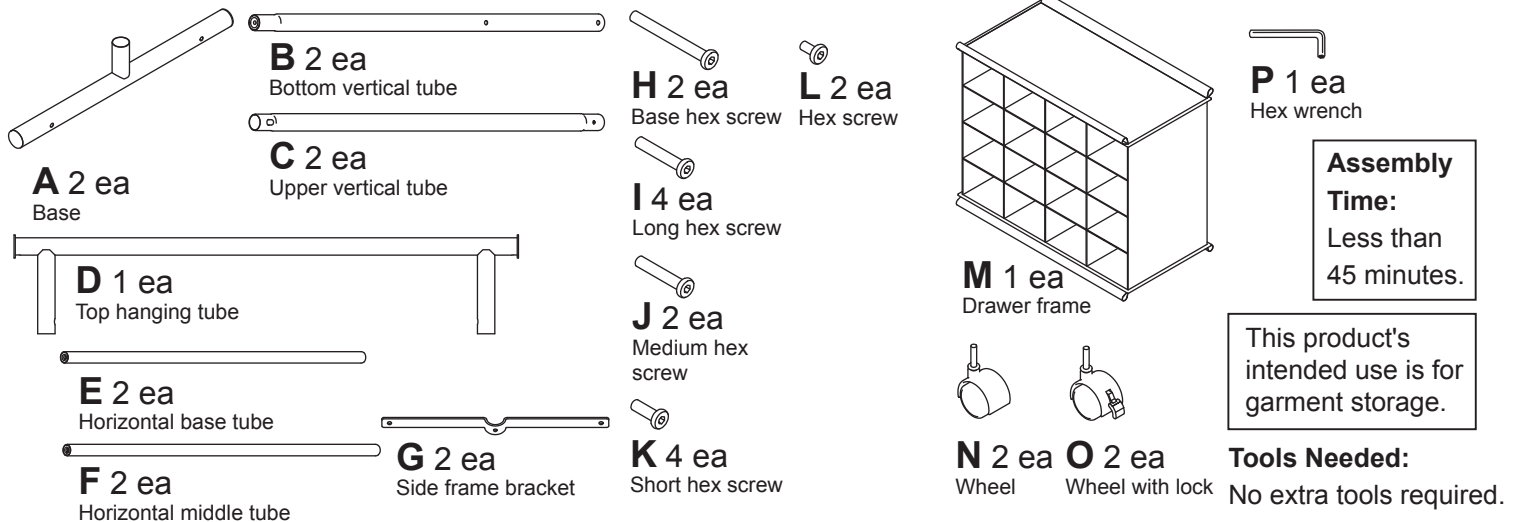


16-Cubby Garment Rack



STEP 1. Attach a bottom vertical tube (B) to a base (A) using a base hex screw (H). Tighten with hex wrench (P). Repeat for the other side.

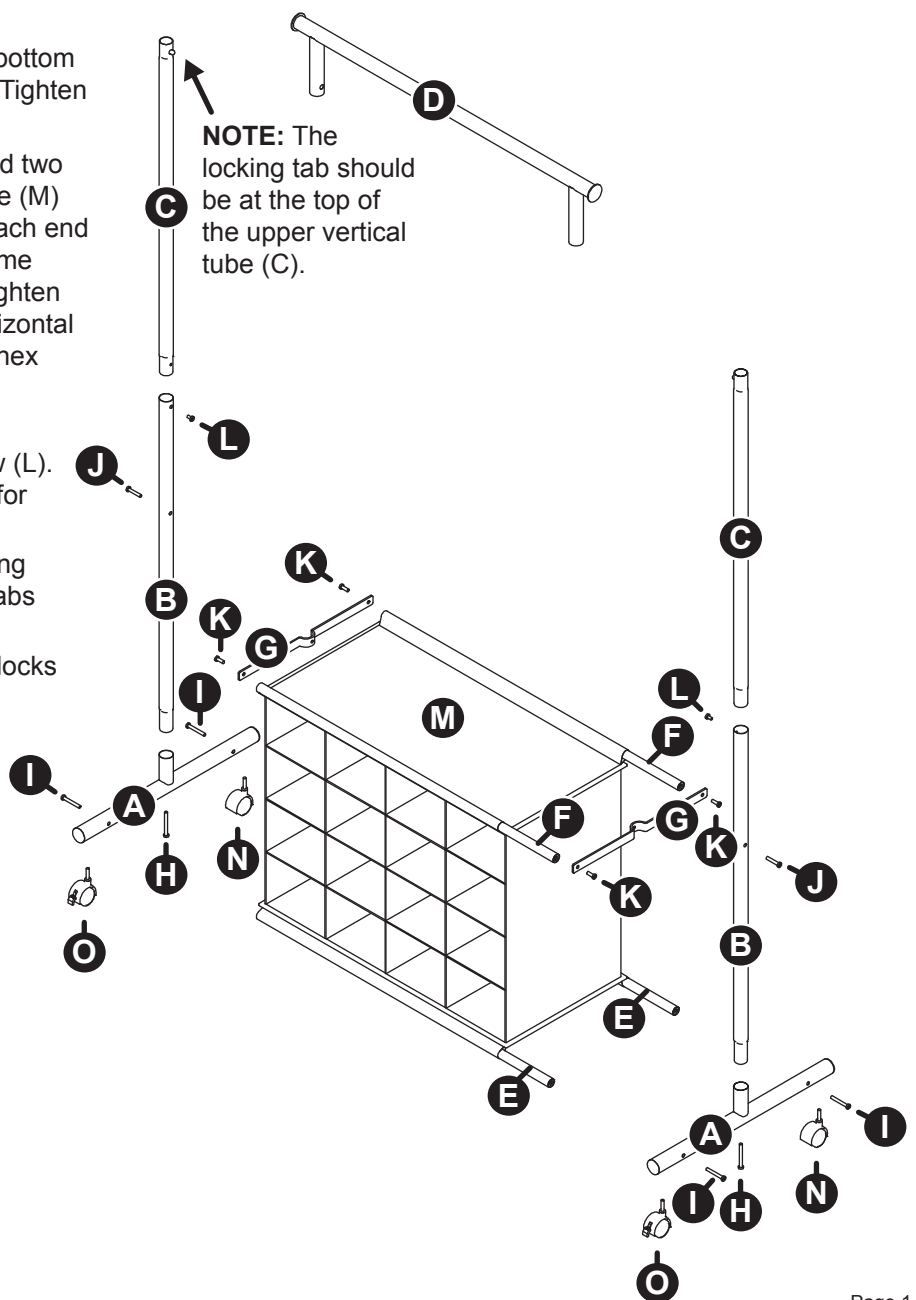
STEP 2. Attach a side frame bracket (G) to the bottom vertical tube (B) using a medium hex screw (J). Tighten with hex wrench (P). Repeat for the other side.

STEP 3. Insert two horizontal base tubes (E) and two horizontal middle tubes (F) into the drawer frame (M) sleeves at the top and bottom corners. Attach each end of the horizontal middle tubes (F) to the side frame brackets (G) using four short hex screws (K). Tighten with hex wrench (P). Attach each end of the horizontal base tubes (E) to the bases (A) using four long hex screws (I). Tighten with hex wrench (P).

STEP 4. Insert an upper vertical tube (C) into a bottom vertical tube (B). Attach with a hex screw (L). Tighten with hex wrench (P). See note. Repeat for the other side.

STEP 5. Install the top hanging tube (D) by sliding over the top vertical tubes (C) until the locking tabs lock into place.

STEP 5. Install the wheels (N) and wheels with locks (O) to the bases (A).



16-Cubby Garment Rack

STEP 6. Assembly is complete.

