





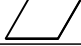
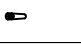



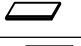

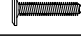
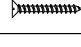
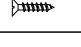
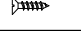

CARE AND MAINTENANCE

Spot clean using a mild water-free solvent. Only a professional cleaner should undertake a complete overall cleaning.
The use of steam or water-based cleaners may cause excessive shrinking or staining.

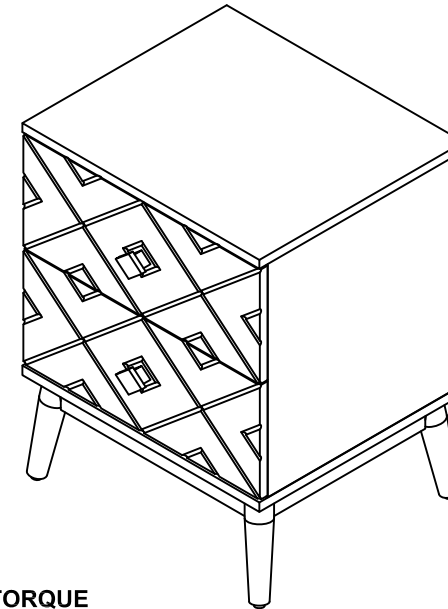
NOTICE

- * Please make sure that you have all parts indicated before you begin assembly of this item.
- * This item should be assembled on a soft surface to prevent scratching the finish during assembly.
- * This item may require periodic tightening.

Part List and Hardware List








PIECE	DESCRIPTION	PICTURE	QUANTITY
A	TOP PANEL		1X
B	LEFT PANEL		1X
C	RIGHT PANEL		1X
D	BASE ASSEMBLY		1X
E	BACK PANEL		1X
F	LEG		4X
G	DRAWER FRONT		2X
H	DRAWER LEFT		2X
I	DRAWER RIGHT		2X
J	DRAWER BACK		2X
K	DRAWER BASE		2X
1	25 MM BOLT	M6x25mm 	8X
2	1 1/4" FLAT HEAD SCREW	M3x32mm 	16X
3	3/4" FLAT HEAD SCREW	M3x19mm 	8X
4	5/8" FLAT HEAD SCREW	M3x16mm 	6X
5	CAMBOLT		12X

Product Dimensions: 18"W x 15 1/2"D x 23 1/32"H



WEIGHT CAPACITY:
TOP: 50 LBS
DRAWER: 15 LBS

**WARNING: DO NOT OVER TORQUE
BOLTS/SCREWS**

PIECE	DESCRIPTION	PICTURE	QUANTITY
6	CAMLOCK		12X
7	WEDGE		6X
8	DOWEL		8X
9	SPRING WASHER		8X
10	ALLEN KEY		1X
11	HANDLE		2X
12	HANDLE BOLT		4X

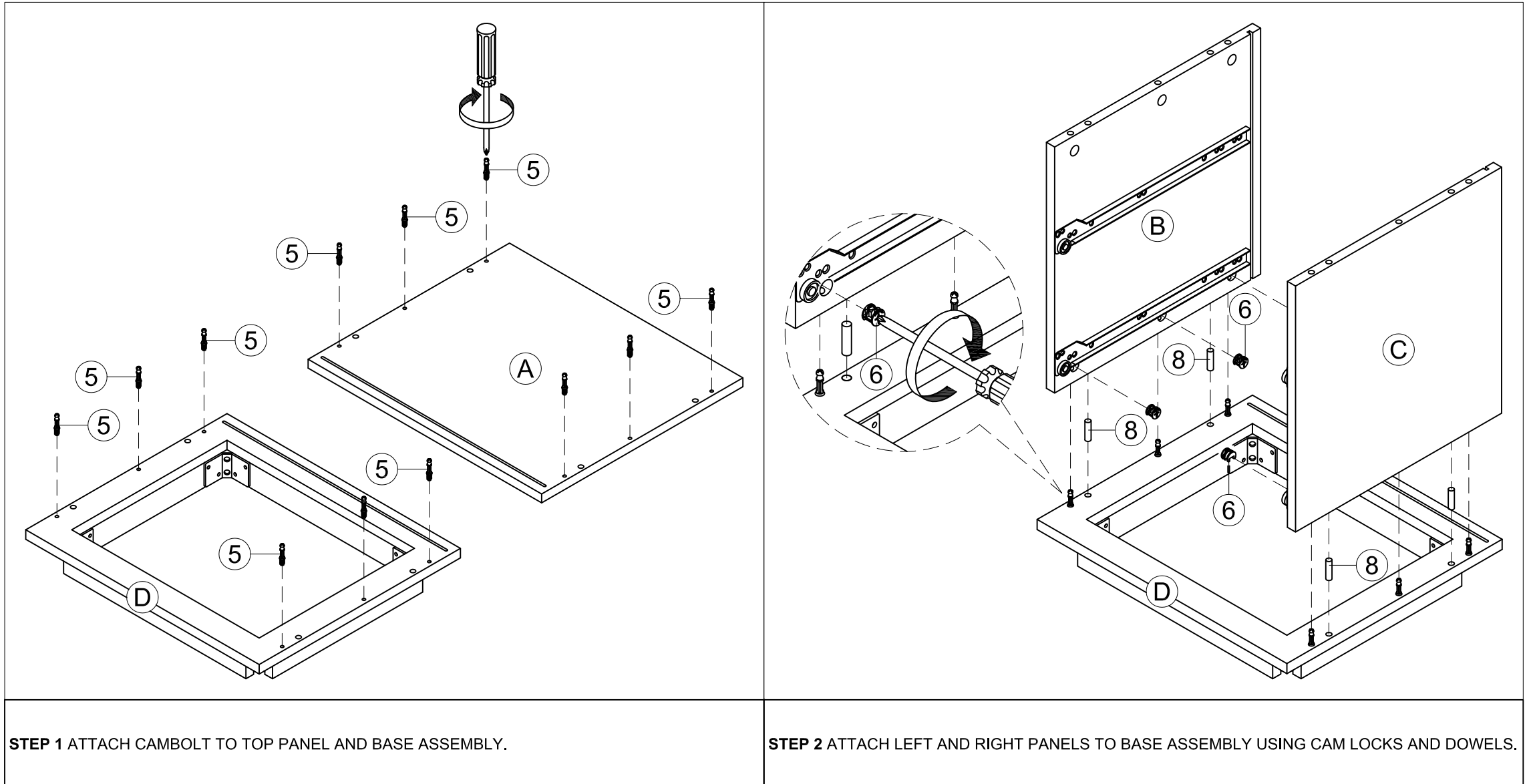
PREPARATION

Before beginning assembly of product, make sure all parts are present. Compare parts with package contents list and hardware contents list.

If any part is missing or damaged, do not attempt to assemble the product.

Estimated Assembly Time: 60 minutes.

Tools Required for Assembly : Phillips Screwdriver



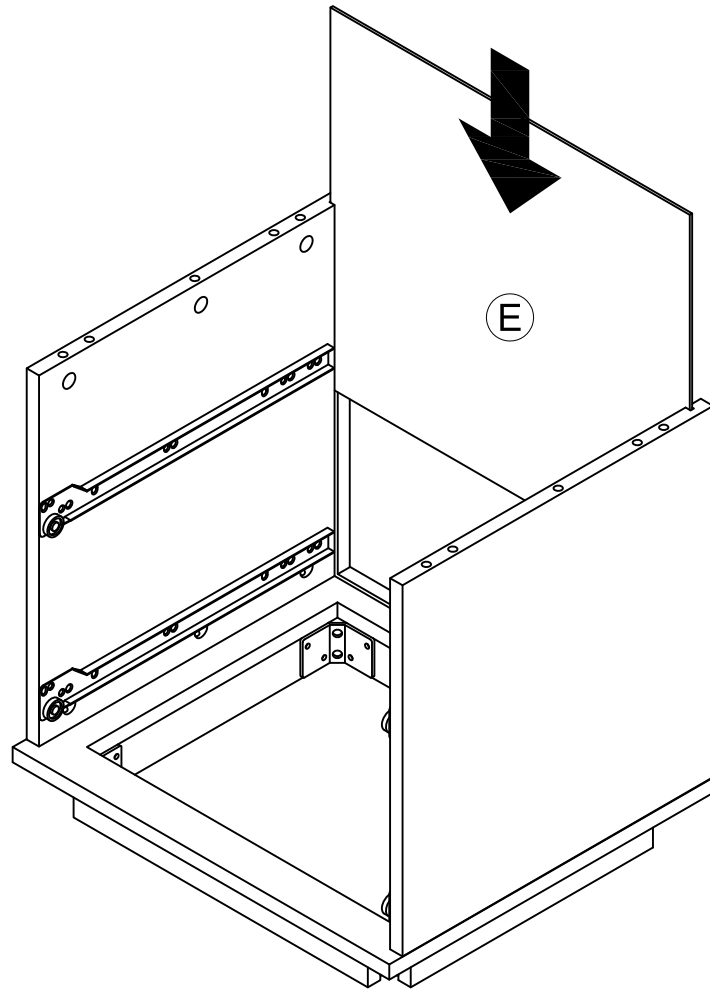
PREPARATION

Before beginning assembly of product, make sure all parts are present. Compare parts with package contents list and hardware contents list.

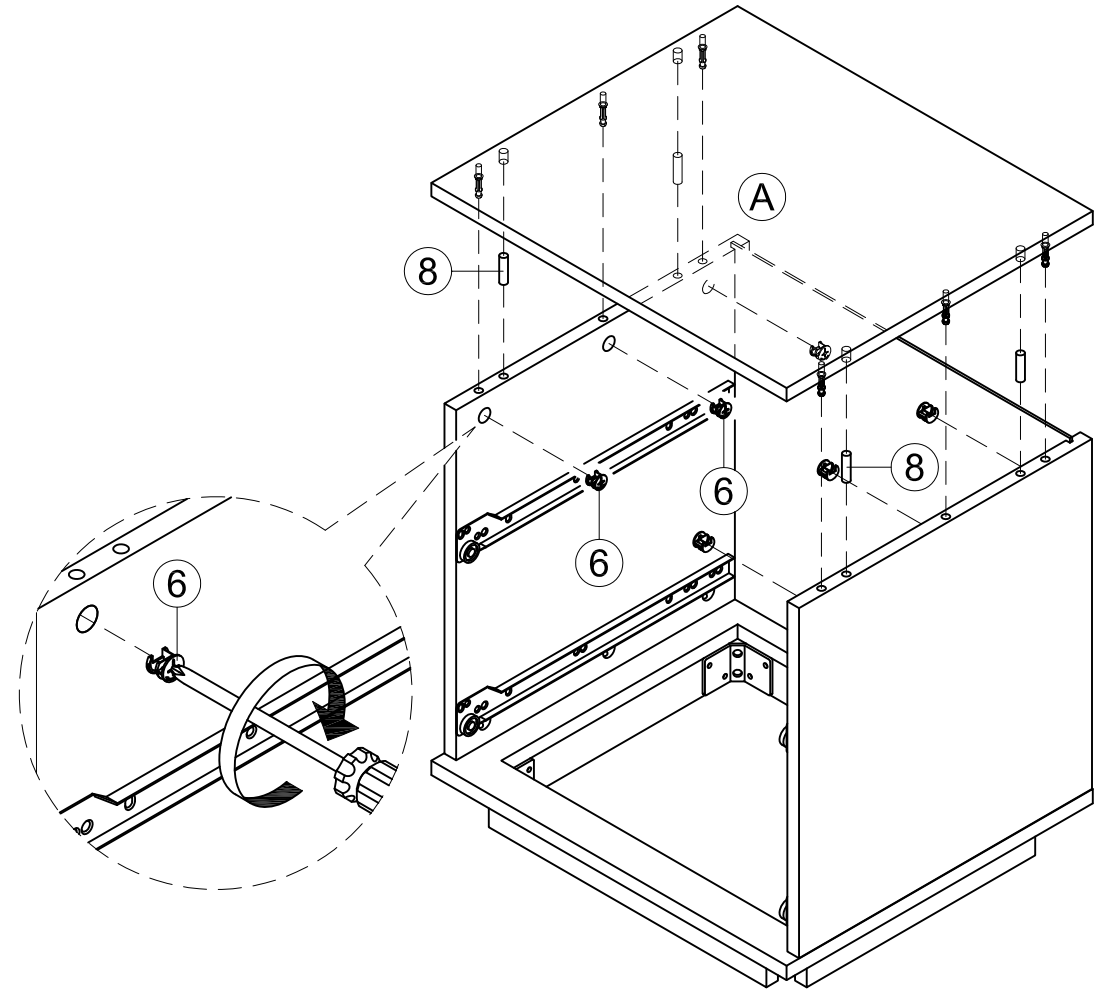
If any part is missing or damaged, do not attempt to assemble the product.

Estimated Assembly Time: 60 minutes.

Tools Required for Assembly : Phillips Screwdriver



STEP 3 SLIDE BACK PANEL TO UNIT.



STEP 4 ATTACH TOP PANEL TO UNIT USING CAMLOCKS AND DOWELS.

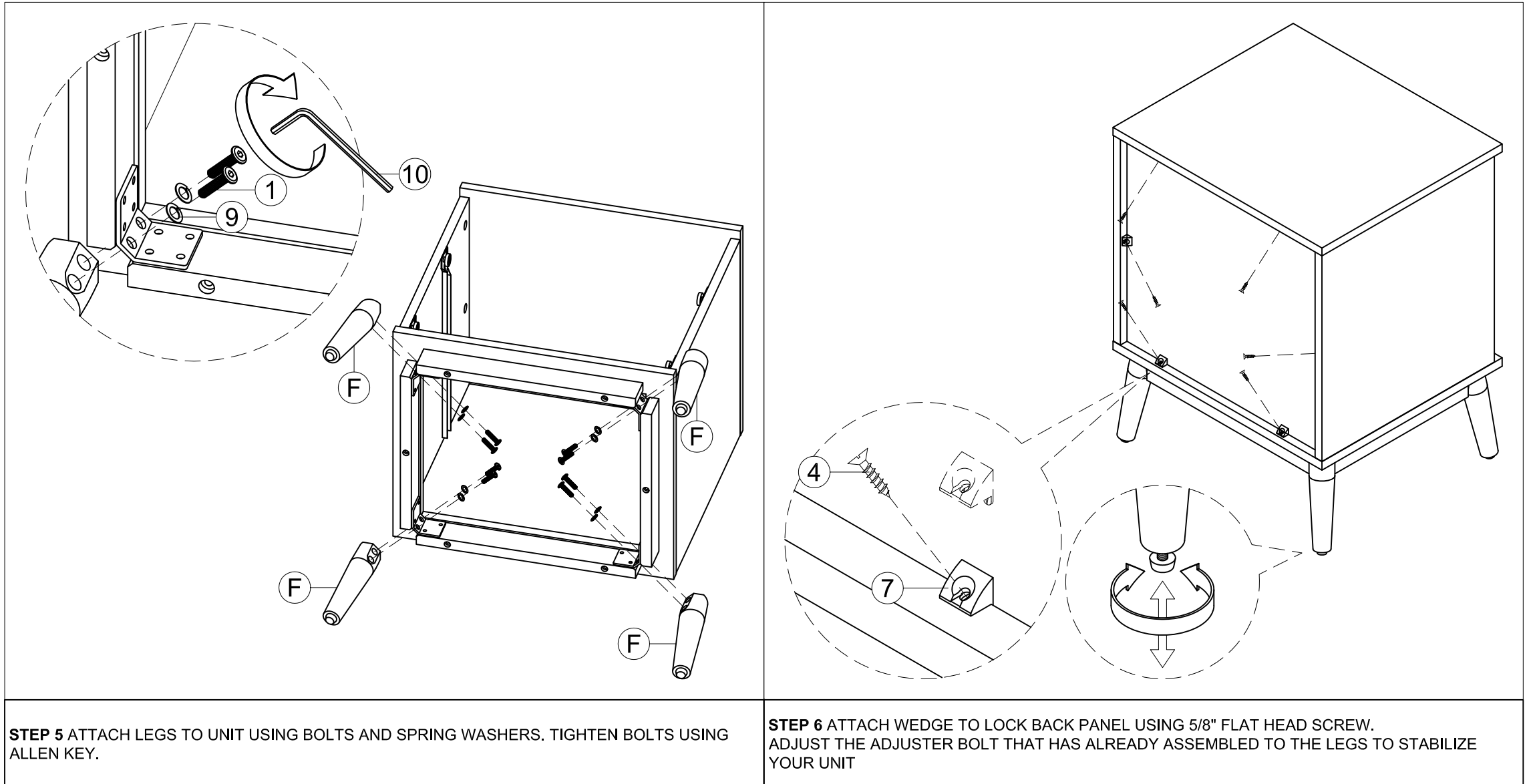
PREPARATION

Before beginning assembly of product, make sure all parts are present. Compare parts with package contents list and hardware contents list.

If any part is missing or damaged, do not attempt to assemble the product.

Estimated Assembly Time: 60 minutes.

Tools Required for Assembly : Phillips Screwdriver



STEP 5 ATTACH LEGS TO UNIT USING BOLTS AND SPRING WASHERS. TIGHTEN BOLTS USING ALLEN KEY.

STEP 6 ATTACH WEDGE TO LOCK BACK PANEL USING 5/8" FLAT HEAD SCREW. ADJUST THE ADJUSTER BOLT THAT HAS ALREADY ASSEMBLED TO THE LEGS TO STABILIZE YOUR UNIT

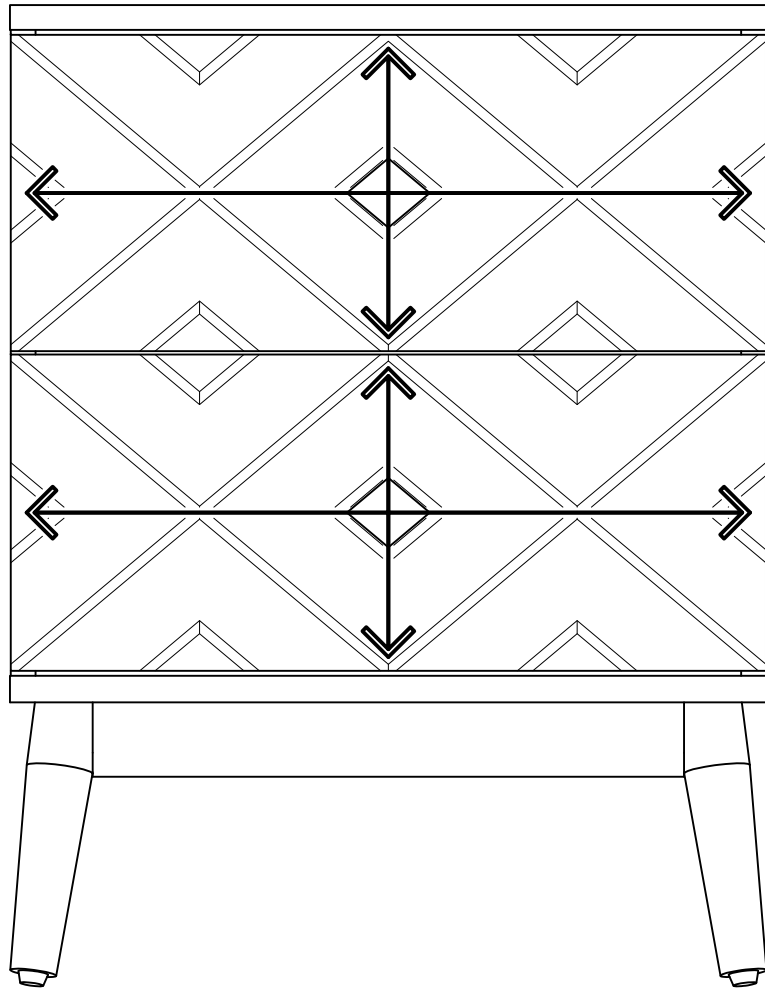
PREPARATION

Before beginning assembly of product, make sure all parts are present. Compare parts with package contents list and hardware contents list.

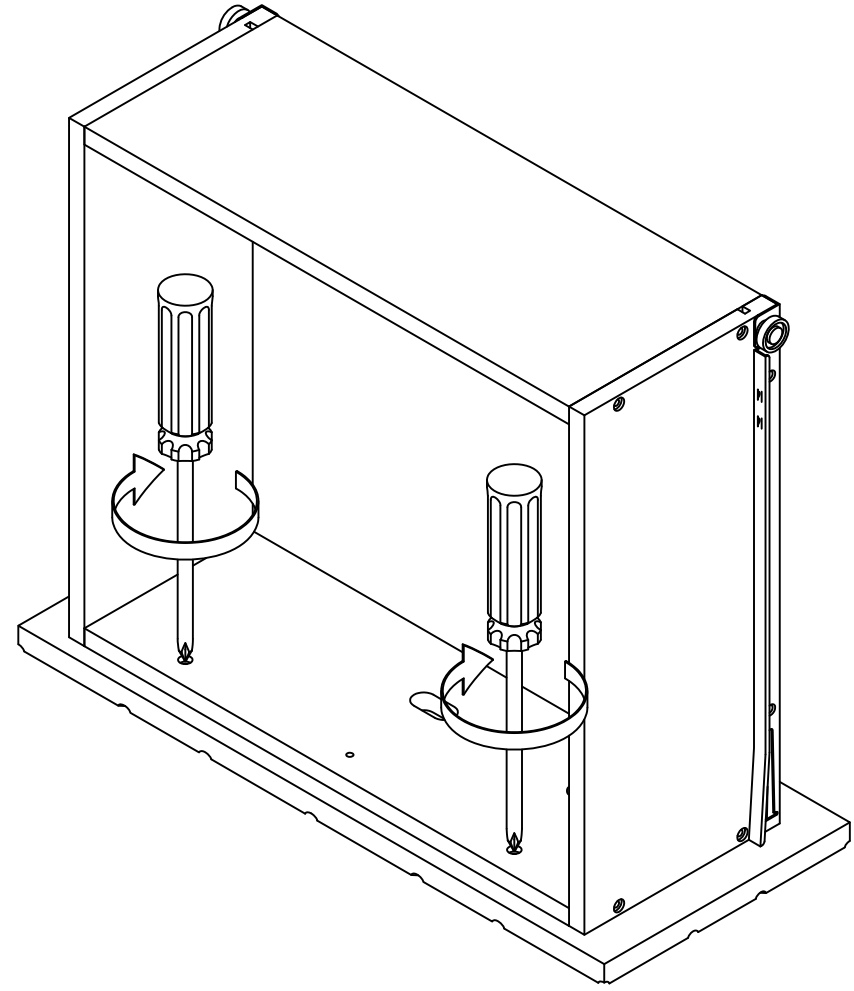
If any part is missing or damaged, do not attempt to assemble the product.

Estimated Assembly Time: 60 minutes.

Tools Required for Assembly : Phillips Screwdriver



STEP 9 INSERT THE DRAWER INTO THE UNIT, THEN ADJUST THE DRAWER FRONT PANEL LEFT OR RIGHT AND UP OR DOWN UNTIL THE DRAWER GAPS LOOK PROPORTIONAL.



STEP 10 PULL THE DRAWER OPEN SLOWLY AND RE-TIGHTEN THE SCREWS FROM STEP 8.

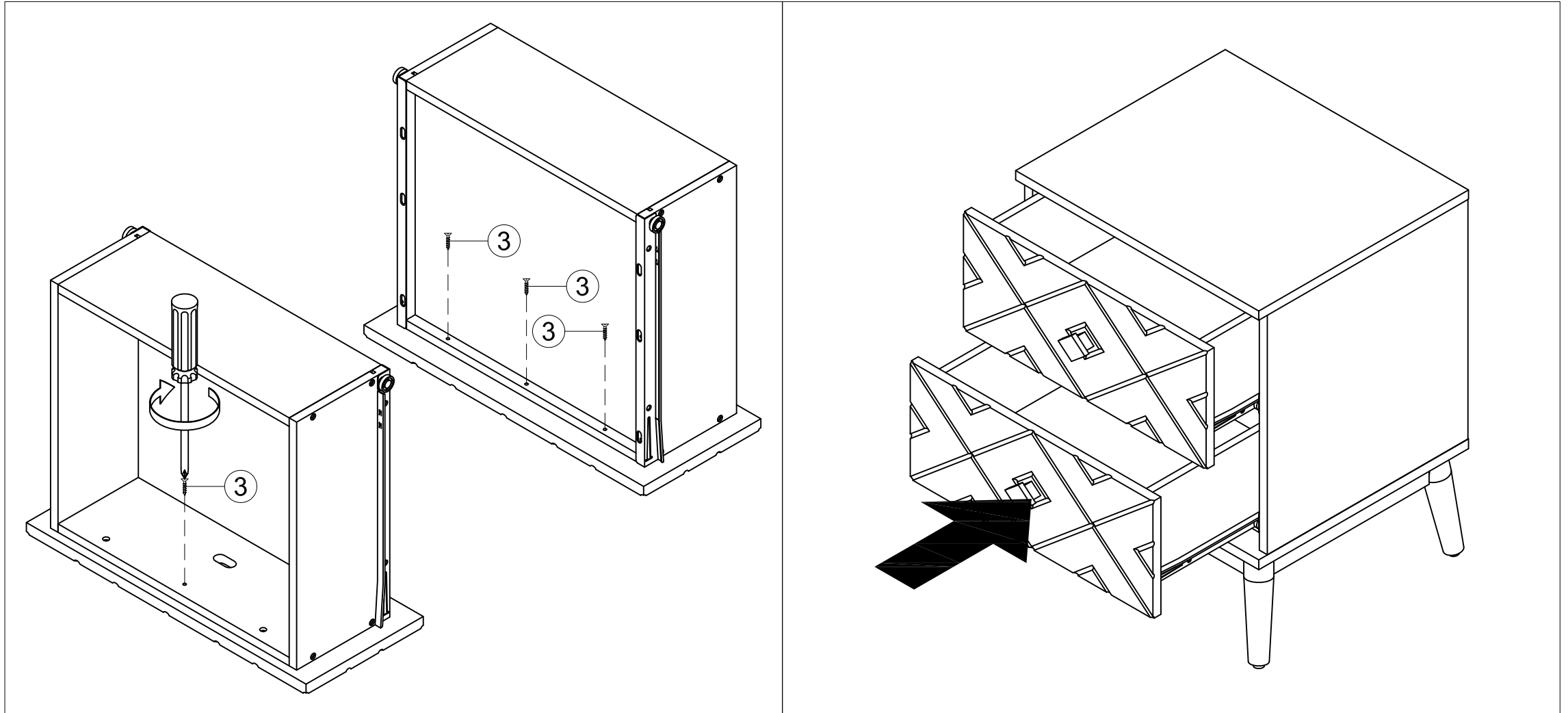
PREPARATION

Before beginning assembly of product, make sure all parts are present. Compare parts with package contents list and hardware contents list.

If any part is missing or damaged, do not attempt to assemble the product.

Estimated Assembly Time: 60 minutes.

Tools Required for Assembly : Phillips Screwdriver



STEP 11 MAKE SURE THE FRONT PANEL DOES NOT MOVE AND LOCK THE DRAWER FRONT PANEL INTO POSITION WITH 3/4" FLAT HEAD SCREWS.

STEP 12 SLIDE THE DRAWERS INTO UNIT.