






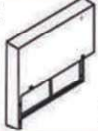


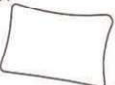
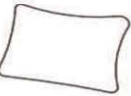





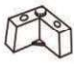






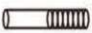
Rattan Sofa Instruction

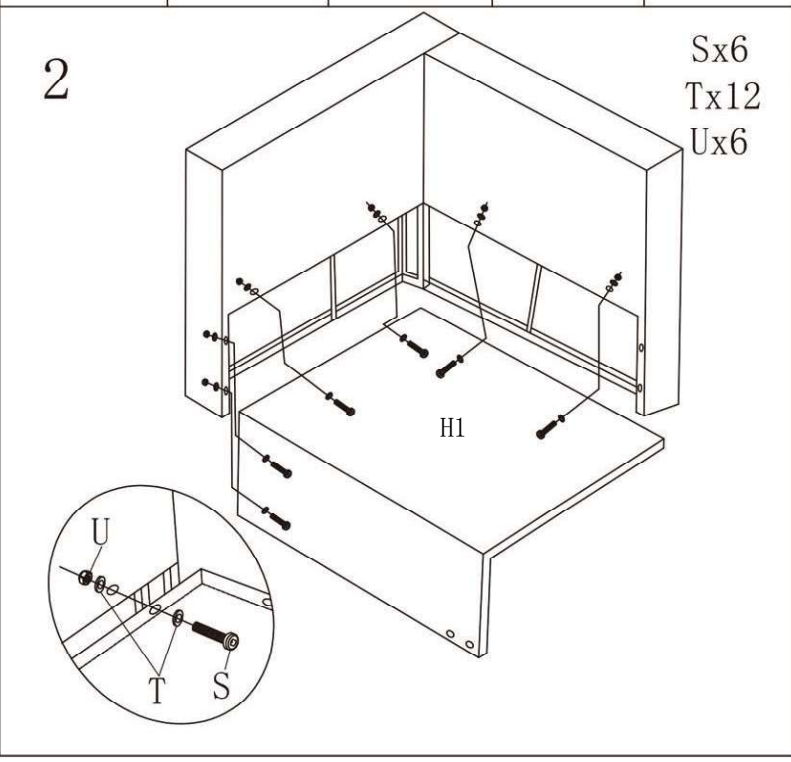
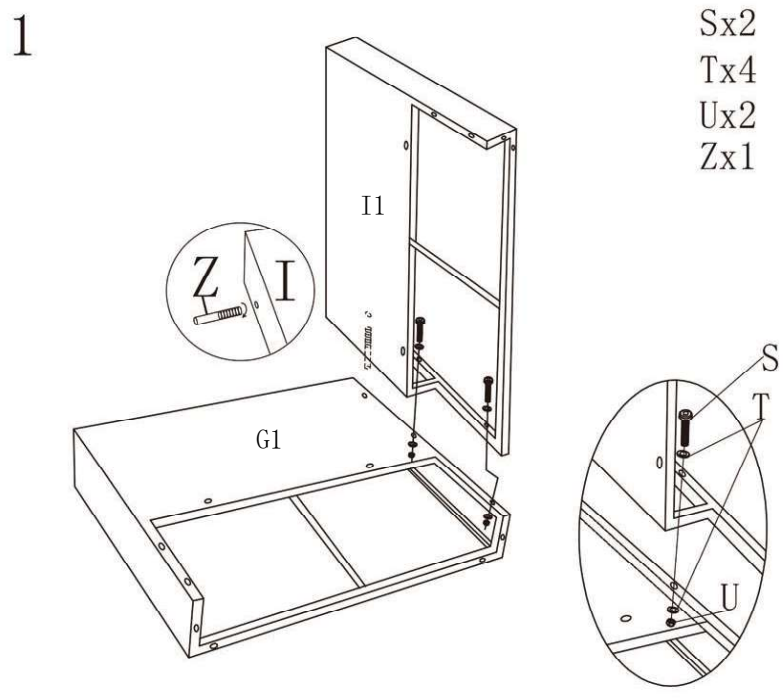


NOTE:

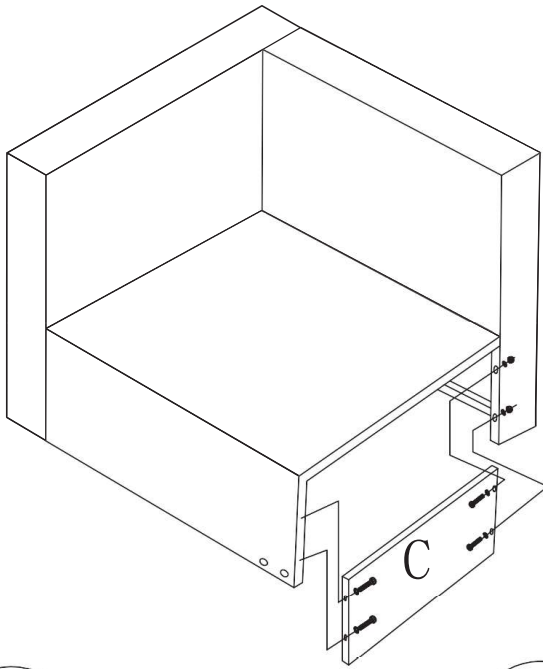
[Most important !!!]

1. Please DO NOT fix screws tightly before all screws and holes connected.
2. Keeping all screws half-tightened will make assembling easier .
3. Please contact us with pictures if you need any help during assembling.
4. Don't expose the cushions in the sun for a long period of time and cover the set or put cushions indoor when there is rain or snow expected for long periods of time.
5. Please don't discard packing boxes before all cushion chairs are assembled without first making sure there are no issues with assembly or parts.We will ask for the SKU# on boxes if there are any issues reported so please keep that information and have it available. Thank you!
6. This products will come from TWO BOEXS.
If you got one of them. Don't worry.The others are on the way.

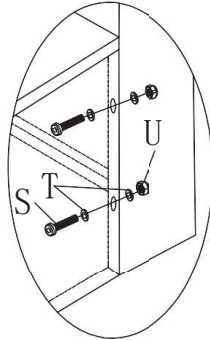
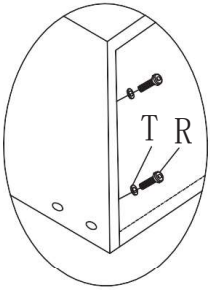
G1  1	G2  1	H1  1	H2  1	I1  1	I2  1	C  2	M  2	N  2
O  2	R  M6x35 12	S  M6x45 44	J  4	K  1	L  4	P  10	Q  2	V  1
T  76	U  44	X  4	W  1	Z  1				



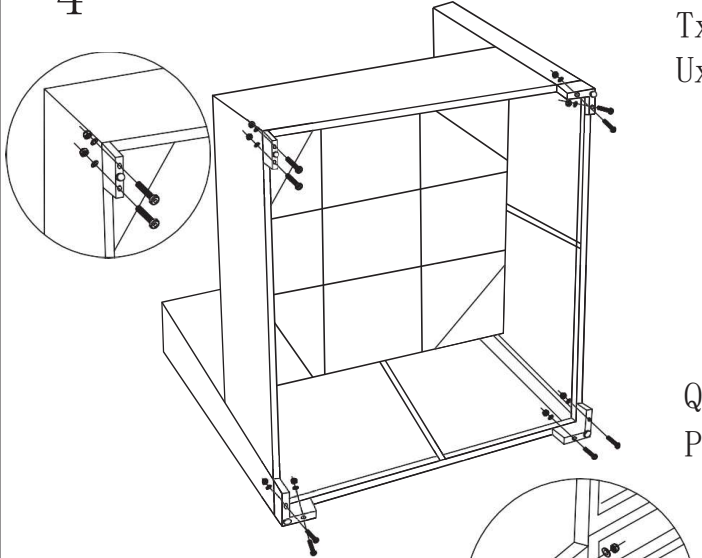
3



Sx2
Tx6
Ux2
Rx2

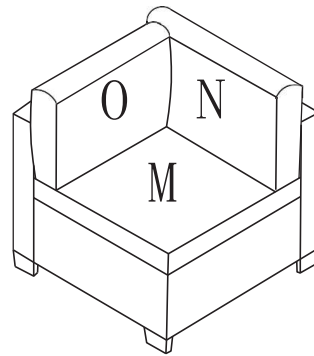
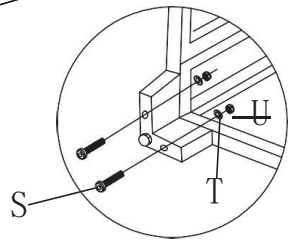


4

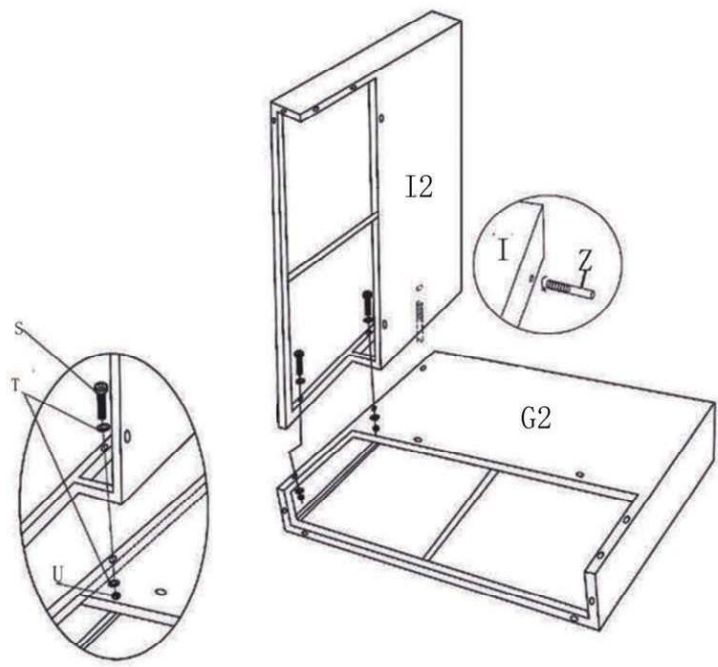


Sx8
Tx8
Ux8

Qx1
Px3

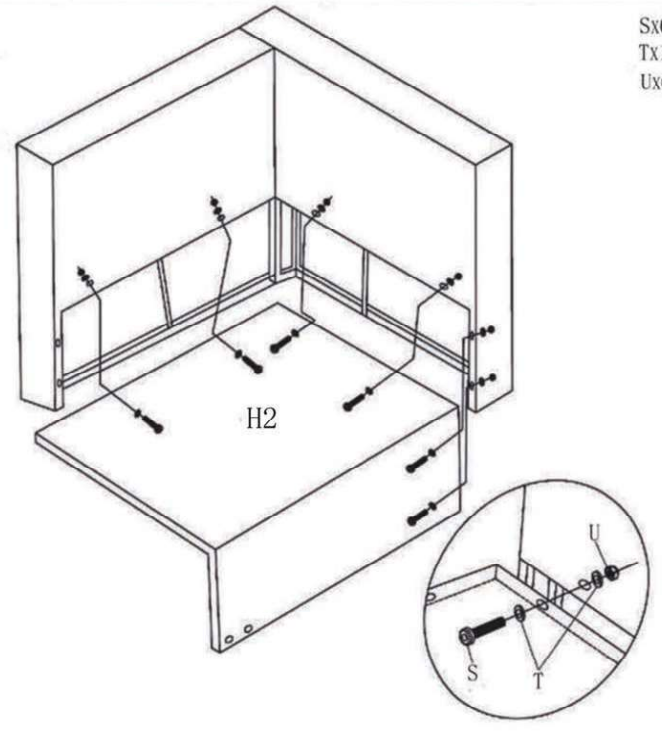


1



Sx2
Tx4
Ux2
Zx1

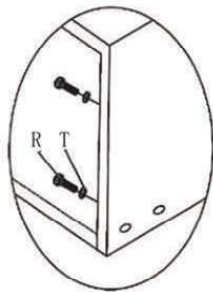
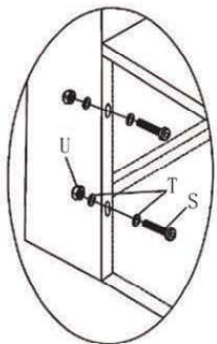
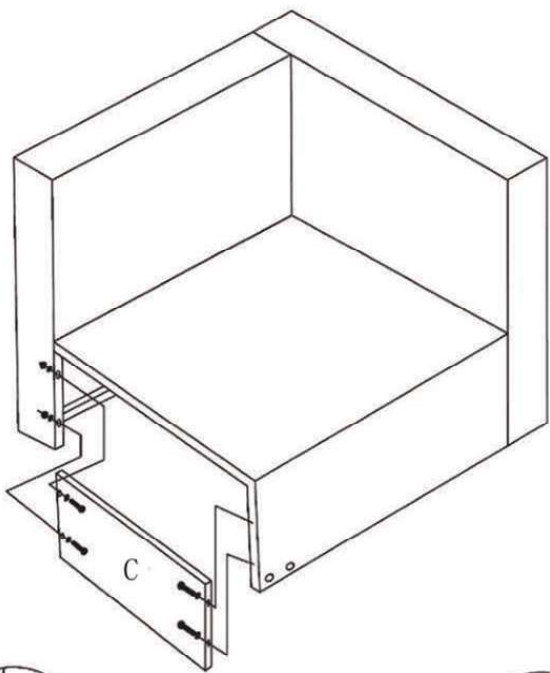
2



Sx6
Tx12
Ux6

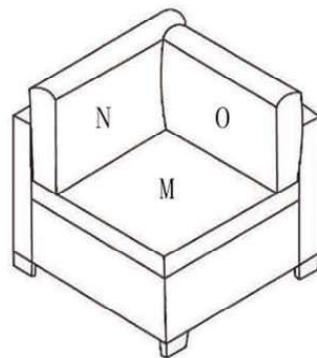
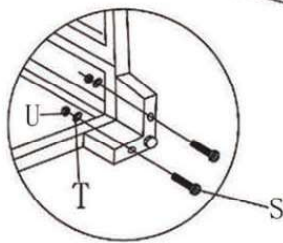
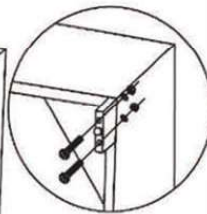
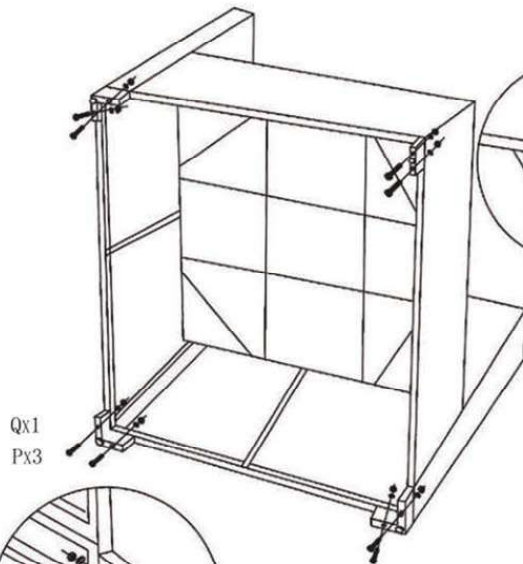
3

Sx2
Tx6
Ux2
Rx2

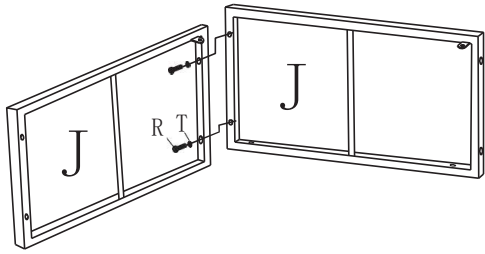


4

Sx8
Tx8
Ux8

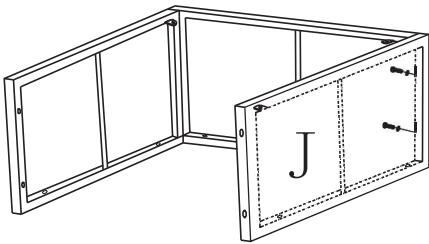


1



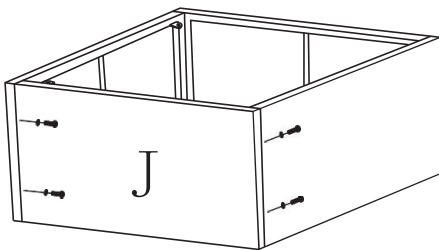
Rx2
Tx2

2



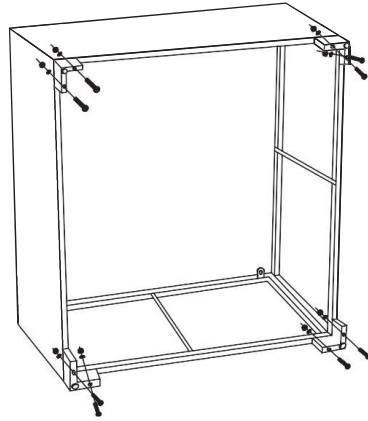
Rx2
Tx2

3



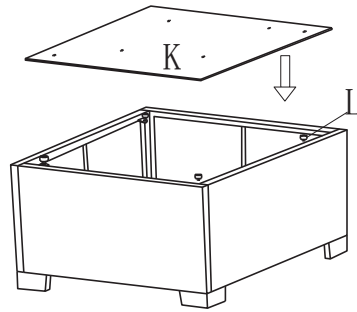
Rx4
Tx4

4



Sx8
Tx8
Ux8
Px4

5



Lx4

