

WBED-B150

Thank you for choosing this furniture.

BEFORE YOU START ASSEMBLY please store the carton at room temperature for 48 hours or more so the contents can acclimatise.

PLEASE RETAIN PACKAGING UNTIL YOU HAVE COMPLETED ASSEMBLY.



Information about your furniture.

Our furniture ranges have been carefully crafted from solid wood and natural wood veneers. Each piece of furniture has unique characteristics such as knots, variances and graining. These are part of the natural character of the furniture itself.

Caring for your furniture.

Extreme temperature can cause slight movements in the wood itself so please avoid placing your furniture close to radiators or other direct sources of heat. Humidity should also be avoided. Please avoid exposing your furniture to continued bright sunlight as it can affect the colour. Any fluid should be removed as quickly as possible. Always lift your furniture when moving, as dragging can cause damage to your furniture.

After care.

Wipe the surfaces with a dry cloth and an occasional use of normal household polish. We also recommend you use household spray.

PARTS LIST	
	 D=x62 25mm screw
	 E = x1 Spacer
	 F= x4 bed lock/bolts
	 G = x4 central support

BEFORE YOU START ASSEMBLY

Please check that you have all the correct parts and fittings as detailed in the Parts List above.

In the unlikely event of a part being missing please EMAIL:

support@mountainsideproducts.com

requesting the part code or the alpha reference. Alternatively highlight your requirement.

Please provide the following information so that your request can be sent directly to you.

Name

Address

Zip code Telephone No.

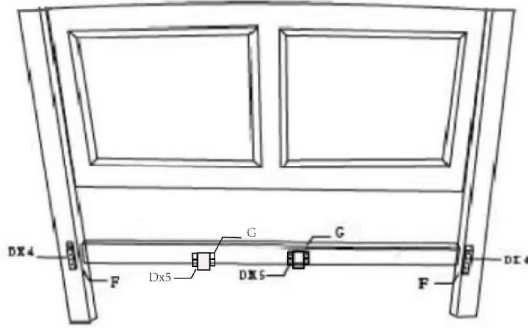


Polish occasionally on the drawer grooves and runners as this will aid use.

Please do not use detergents or chemicals on your furniture.

1

01

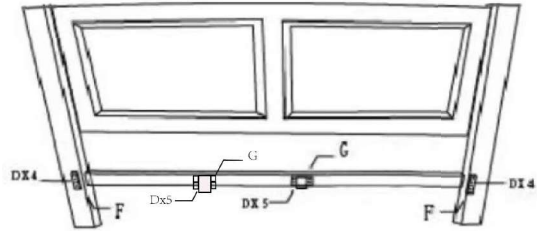



G = x4
 central support


F = x4
 bed lock/bolts

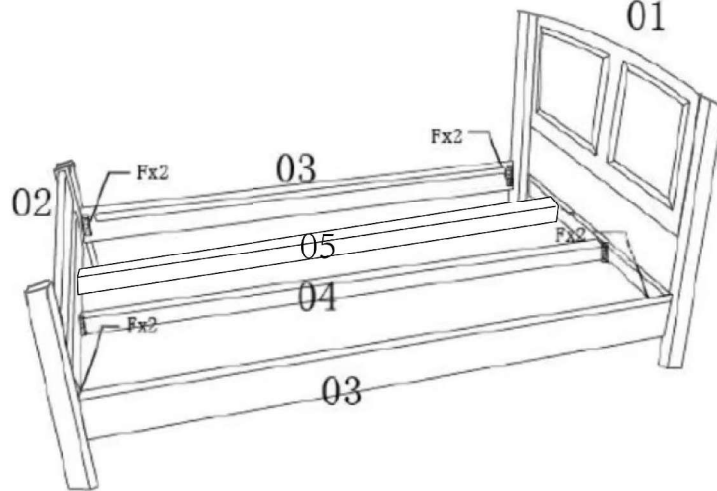

D = x46
 25mm screw

02



2

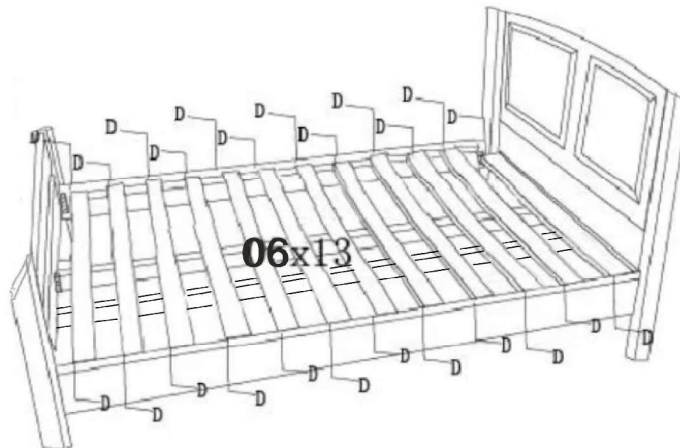
01




F = x8
 bolts

3

06x13




D = x26
 25mm screw