



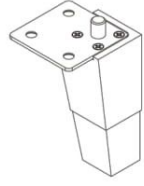


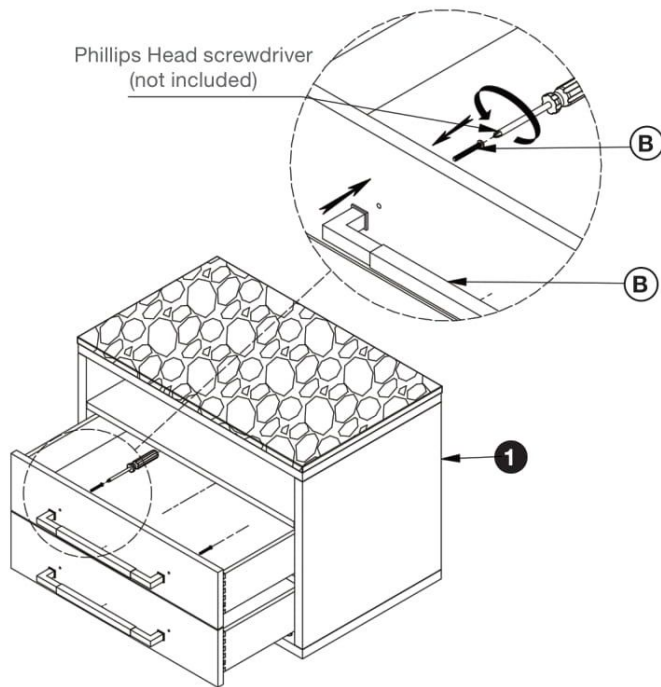
ASSEMBLY INSTRUCTIONS | 2-DRAWER NIGHTSTAND

| HARDWARE CHECKLIST | | |
|--------------------|---|---------------------------------|
| A |  | Bolts M6x20 (12pcs) |
| B |  | Handle with screws M4x35 (2pcs) |
| C |  | Allen Key (1pc) |

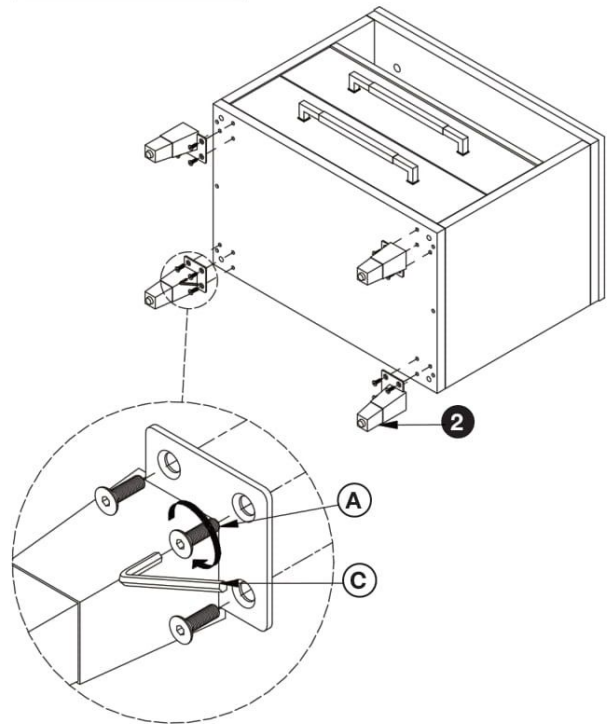
| PARTS CHECKLIST | | |
|-----------------|--|------|
| 1 |  | 1pc |
| 2 |  | 4pcs |



Step 1



Step 2



Finish

Adjust levelers as needed

