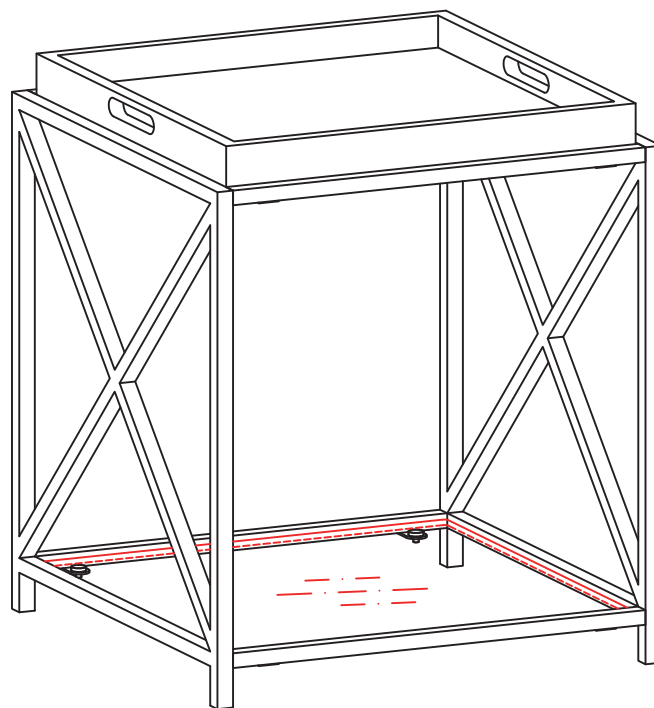


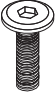



END TABLE



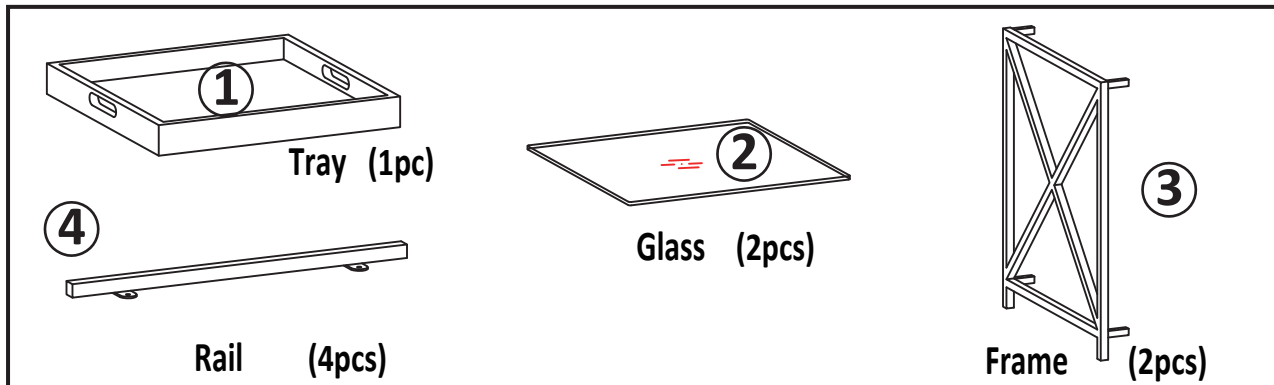
ASSEMBLY INSTRUCTIONS

We have designed our furniture with you , the customer in mind . Our clear , easy to follow , step by step instructions will guide you through the project from start to finish . Feel confident that this will be a fun and rewarding project . The final product will be a quality piece of furniture that will go together smoothly and give years of enjoyment .

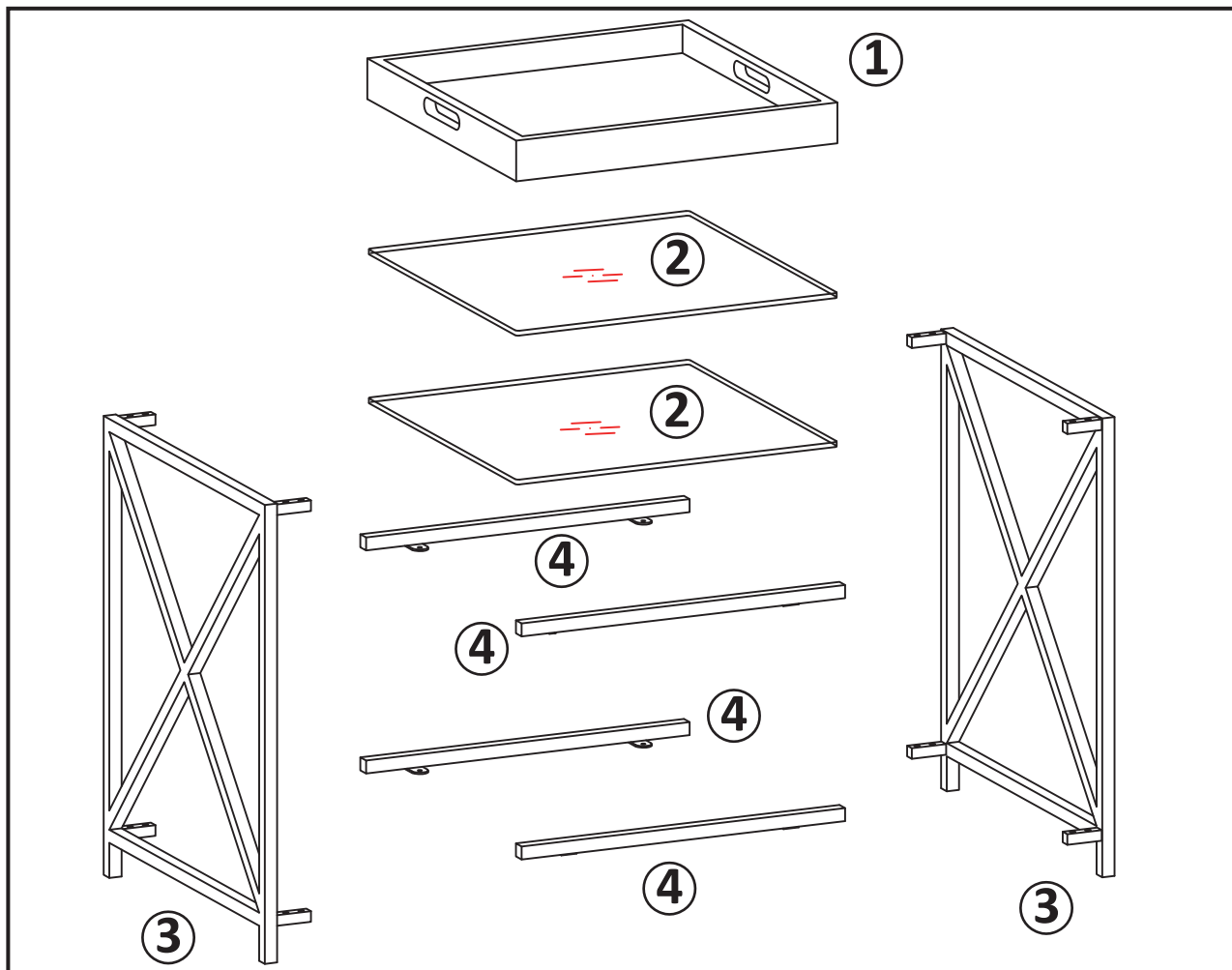
Hardware List

A 	B 	C 	D 
Screw (16pcs)	Allen Wrench (1pc)	Non-slip disk (8pcs)	Polishing cloth (1pc)

Panel List



Exploded Views

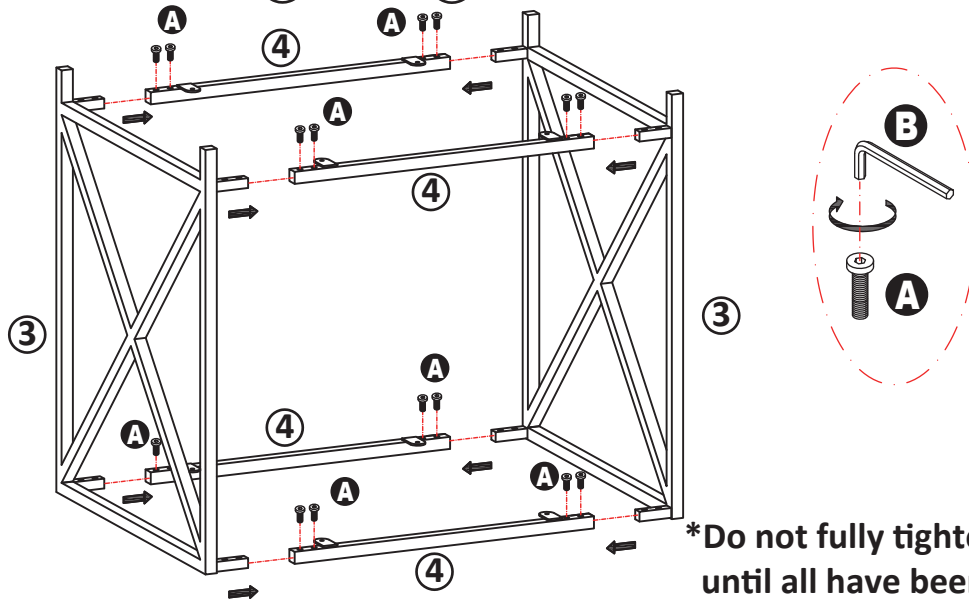


Please count and verify all parts before assembly.

Step 1

*Assemble unit on carpet or flat surface.

1. Connect the frames (3) and rails (4) with screws (A) and allen wrench (B).



A



x16

B

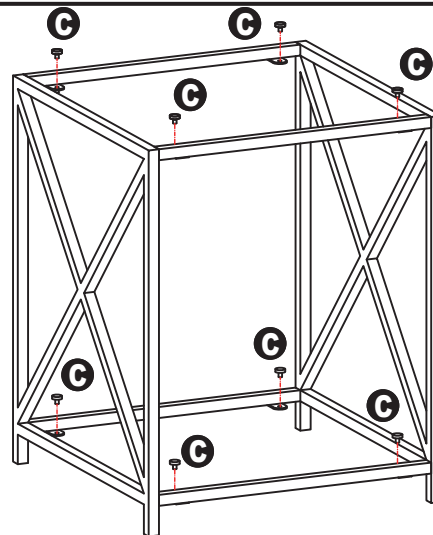


x1

Do not fully tighten Screws (A) until all have been started.

Step 2

1. Place non-slip disks (C) into assembly as shown to support glass shelf.



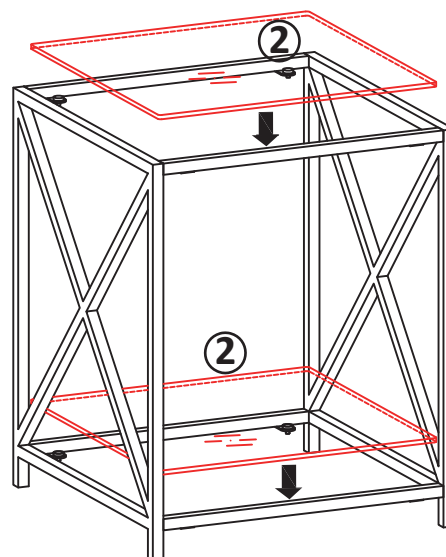
C



x8

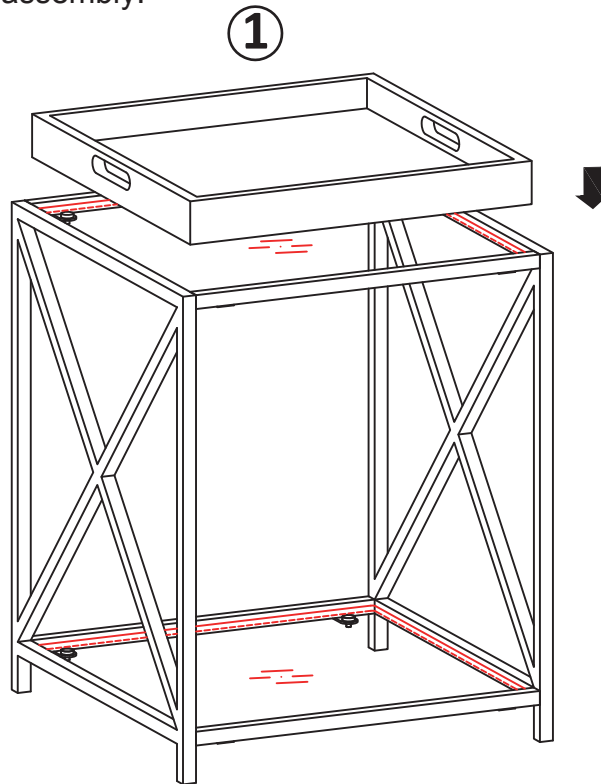
Step 3

1. Retighten all screws.
2. Using a slight angle, carefully insert glasses (2) into unit.



Step 4

1. Place tray **1** onto assembly.



Step 5

1. Enjoy !

