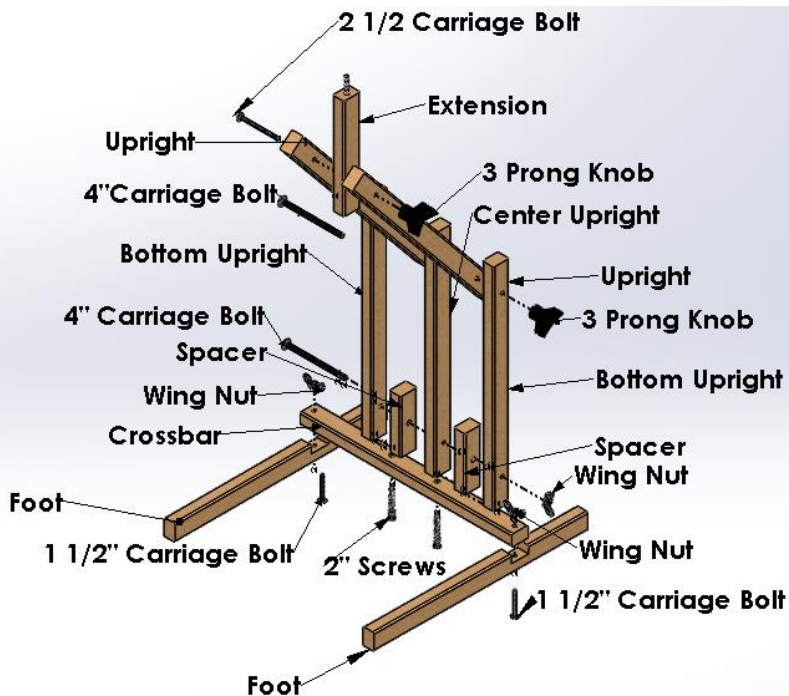


Stitch Master #6116

Assembly Instructions

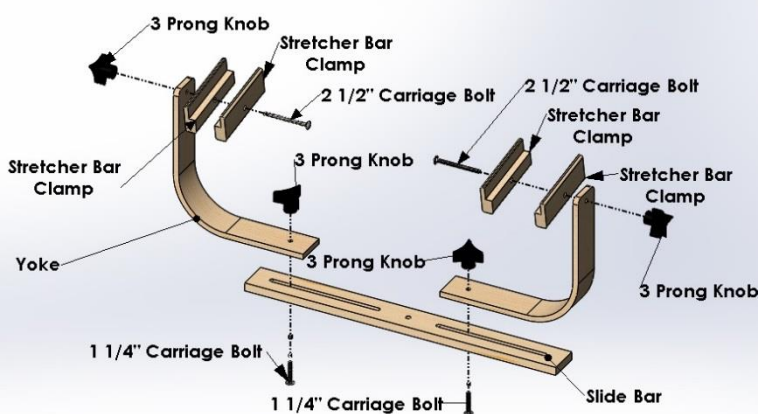
Base Assembly



Base Assembly

- 1) Position the Crossbar in the notched area of the feet and secure with 1 1/2" Carriage Bolt and Wing Nuts on both ends.
- 2) Insert 2" Screws through the Crossbar and into the ends of the Bottom Uprights. The Bottom Uprights have holes in the bottom.
- 3) Position two Spacers and one Center Upright between the Bottom Uprights which were attached to the Crossbar in Step 2.
- 4) Insert 4" Carriage bolt through all the Uprights and Spacers. Secure with a Wing Nuts.
- 5) Position the remaining two Uprights between the three Uprights now Attached. Insert 4" Carriage Bolt and secure with a 3 Prong Knob.
- 6) Place the Extension between the Uprights bolt side up. Secure with 2 1/2" Carriage Bolt and a 3 Prong Knob.

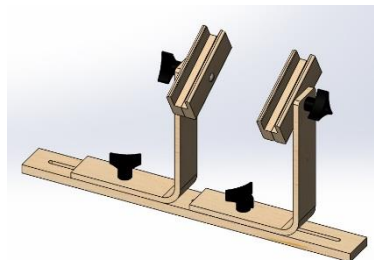
Yoke Assembly

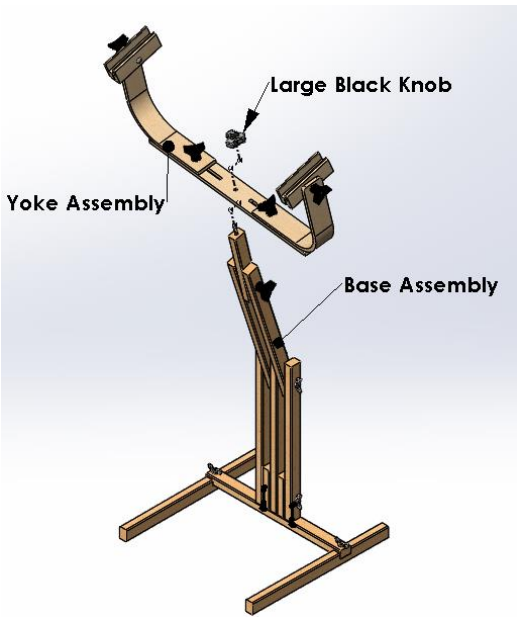


Yoke Assembly

- 1) Position one Yoke onto the Slide Bar with the square corners down and secure with a 1" Carriage Bolt and 3 Prong Knob. Do not tighten
- 2) Repeat on opposite side.
- 3) Insert a 2 1/2" Carriage Bolt through the holes in the Stretcher Bar Clamps as shown and secure with a 3 Prong Knob.
- 4) Repeat on the opposite side.
- 5) For small projects you can reverse the direction of one of the yokes.

Small Frame Set-up

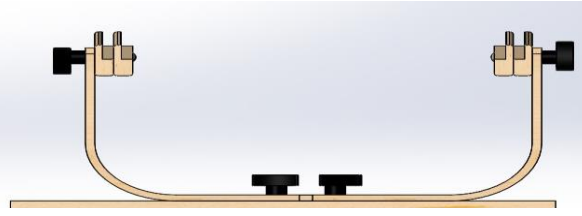




Final Assembly

- 1) Attach the Yoke Assembly to the Base Assembly by inserting the bolt from the Extension through the center hole in the Slide Bar.
- 2) Secure with the Large Knob
- 3) Attach your project to the Stitch Master stand using the Stretcher Bar Clamps

Note: If you are using the Stitch Master with Mini Stretcher Bars, or other thin frames, you can reverse the Stretcher Bar Clamps as shown below.



Parts List

