

Rite-Temp® Shower Valve Trim

Features

- Includes face plate with handle, shower arm with flange and showerhead.
- Single metal lever handle controls both on/off activation and temperature setting.
- Coordinates with Bancroft faucets, accessories, and showering components to complete your bathroom.
- Includes single-function 2.5 gpm (9.5 lpm) showerhead with Katalyst® air-induction technology.
- MasterClean™ sprayface features an easy-to-clean surface that withstands mineral buildup.

Material

- Premium material construction with metal handle ensures reliability and durability.
- finishes resist corrosion and tarnishing.

Technology

- Pressure-balancing diaphragm technology maintains outlet temperature within +/- 3 degrees Fahrenheit during water pressure fluctuations.

Installation

- Trim only; requires valve to complete installation (sold separately).

Required Products/Accessories

3/4" Pressure-balancing Valve

or

Pressure-balancing Valve With Stops

or

Pressure-balancing Valve Less Stops

or

Pressure-balancing Valve Less Stops

or

Pressure-balancing Valve With Stops

or

Pressure-balancing Valve With Stops

or

Pressure-balancing Valve Less Steps

or

Pressure-balancing Valve With Stops

or

Pressure-balancing Valve Less Stops

or

Pressure-balancing Valve With Stops

or

Pressure-balancing Valve Less Stops

or

Pressure-balancing Valve Less Stops

or

Pressure-balancing Valve With Stops



Codes/Standards

ASME A112.18.1/CSA B125.1





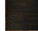
DOE - Energy Policy Act 1992

Faucet Lifetime Limited Warranty

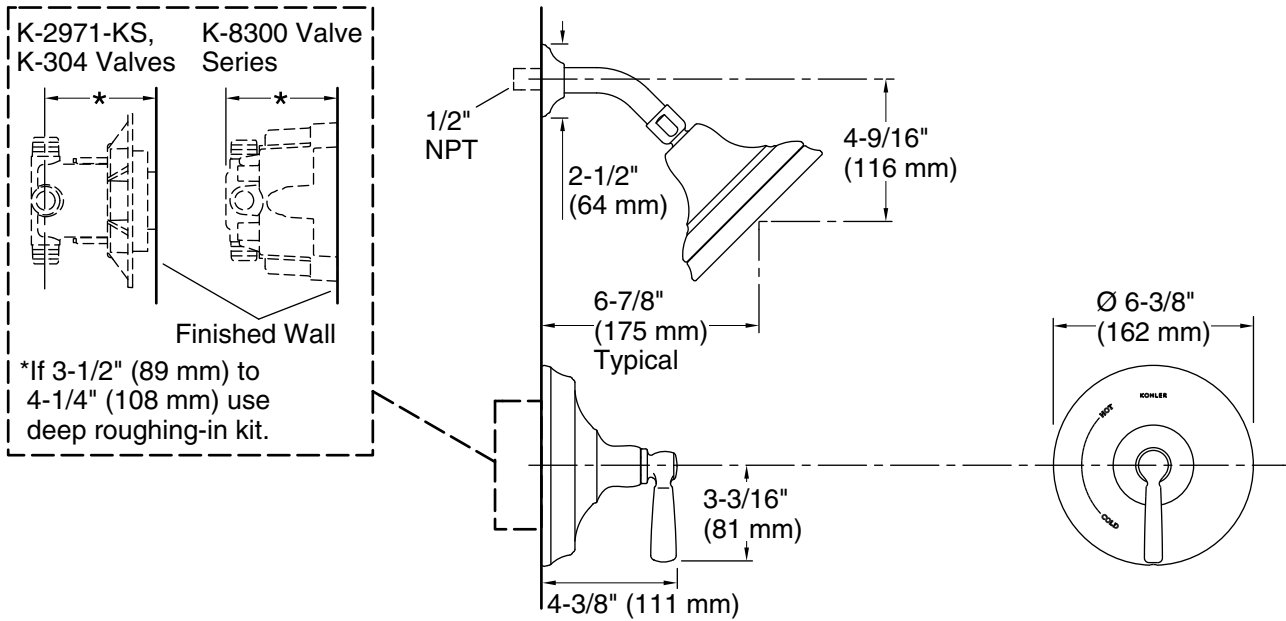
See website for detailed warranty information.

Available Colors/Finishes

Color tiles intended for reference only.

Color	Code	Description
	CP	Polished Chrome
	SN	Vibrant® Polished Nickel
	BN	Vibrant® Brushed Nickel
	BV	Vibrant® Brushed Bronze
	2BZ	Oil-Rubbed Bronze

Rite-Temp® Shower Valve Trim



Technical Information

All product dimensions are nominal.

Showerhead/Body Spray:

Rated maximum flow: 2.5 gal/min (9.5 l/min)

Pressure: 80 psi (5.5 bar)

Notes

Install the product according to the installation guide.

NOTICE: Risk of product damage. Long screws for installing trim can damage the valve.

Consult the trim installation guide to verify if the thin wall installation kit is needed.