

# *ASSEMBLY INSTRUCTIONS*



*END TABLE*

# ASSEMBLY INSTRUCTIONS

## ASSEMBLY TIPS:

1. Remove hardware from box and sort by size.
2. Please check to see that all hardware and parts are present prior to start of assembly.
3. Please follow attached instructions in the same sequence as numbered to assure fast & easy assembly.

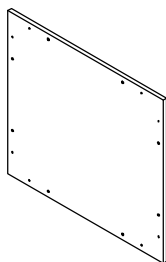
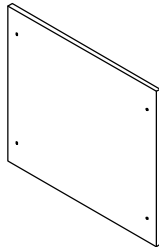
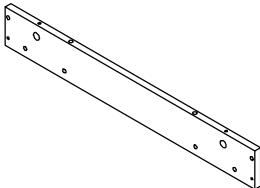
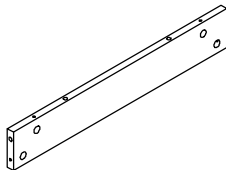
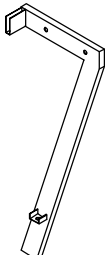


## WARNING!

1. Don't attempt to repair or modify parts that are broken or defective. Please contact the store immediately.
2. This product is for home use only and not intended for commercial establishments.

ASSEMBLY TIME 35 MINUTES

## PARTS IDENTIFICATION

A	TOP PANEL		1PC
B	BOTTOM PANEL		1PC
C	FRONT AND BACK PANEL		2PCS
D	LEFT AND RIGHT PANEL		2PCS
E	LEG 1		2PCS

# ASSEMBLY INSTRUCTIONS

## PARTS IDENTIFICATION

F

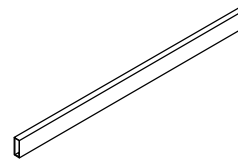
LEG 2



2PCS

G

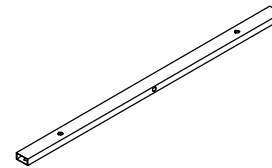
TOP CROSSBAR



2PCS

H

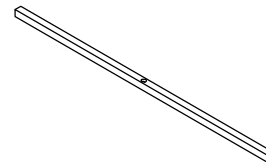
BOTTOM CROSSBAR



2PCS

I

SUPPORT CROSSBAR



1PC

# ASSEMBLY INSTRUCTIONS

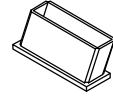
## HARDWARE IDENTIFICATION

Z

1 CAM BOLT  
(38mm) 12PCS



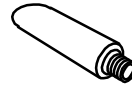
6 CAP 4PCS



2 CAM LOCK  
( $\phi$ 15mm) 12PCS



7 GLUE 1PC



3 WOOD DOWEL  
(8 x 30mm) 12PCS



8 LONG BOLT  
(1/4" x 47mm SR) 2PCS



4 SHORT BOLT  
(1/4" x 9mm SR) 12PCS



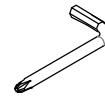
9 SCREW  
(4 x 25mm SR) 1PC



5 MEDIUM BOLT  
(1/4" x 22mm SR) 12PCS

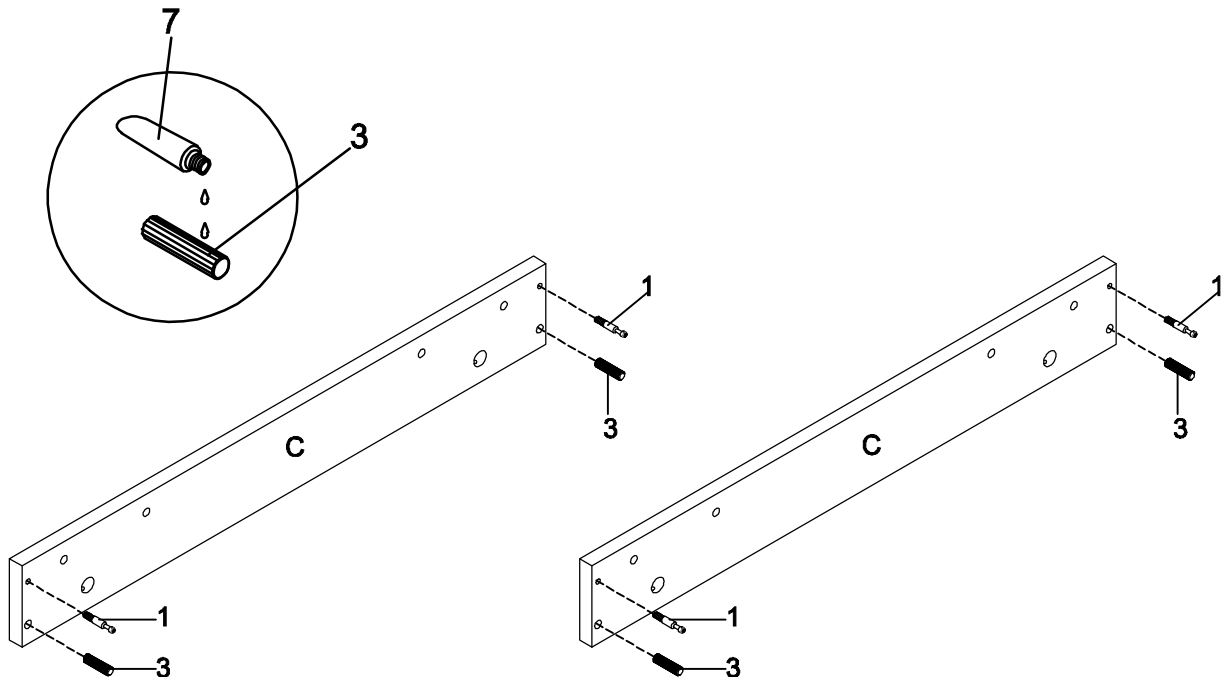


10 ALLEN WRENCH  
(4mm) 1PC



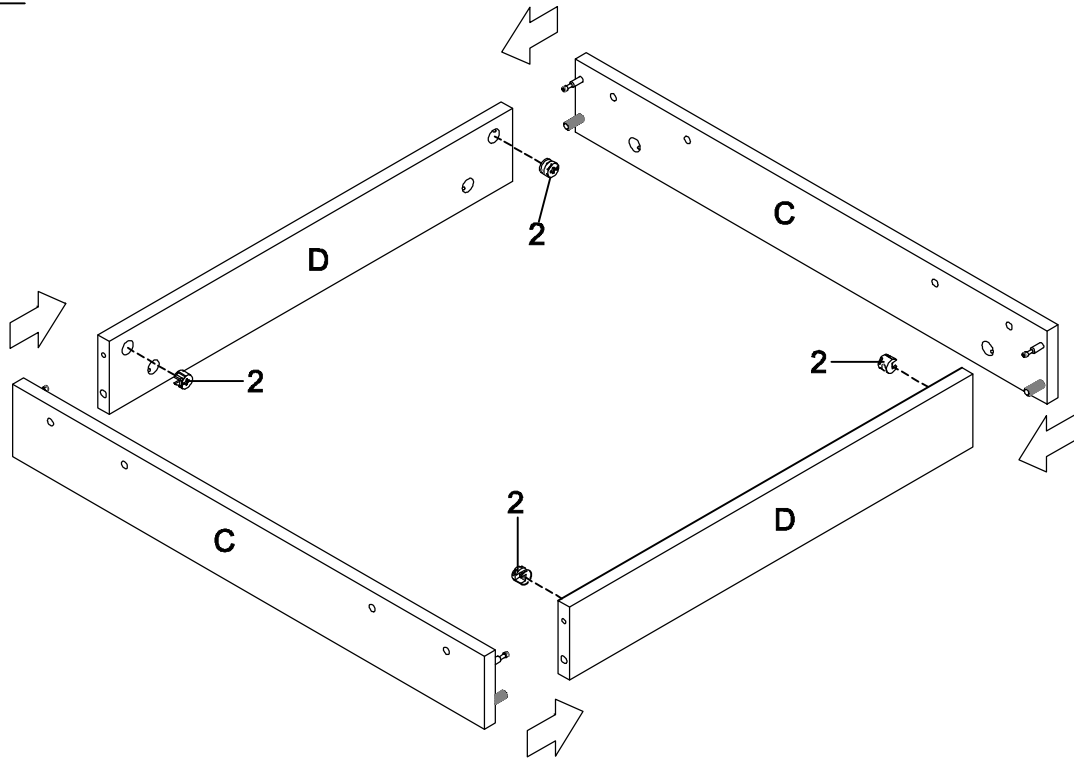
### STEP 1

Do not tighten until each step is completed or instructed.

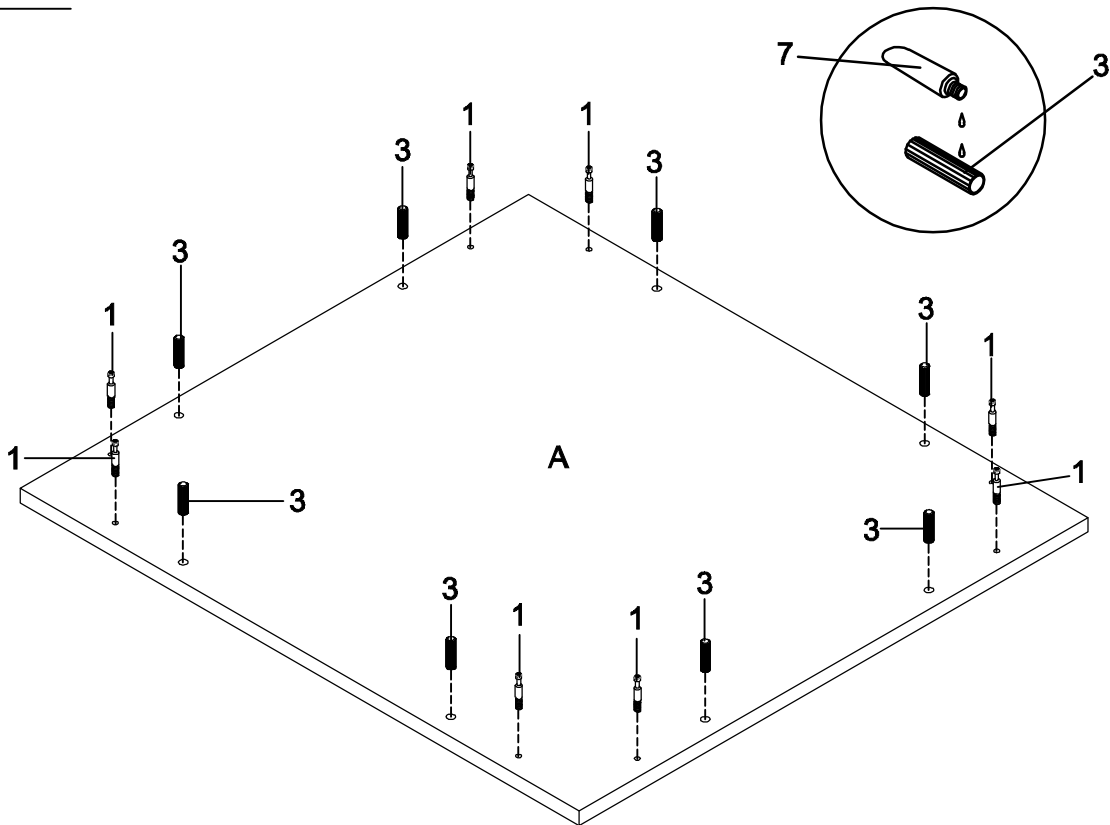


# ASSEMBLY INSTRUCTIONS

## STEP 2

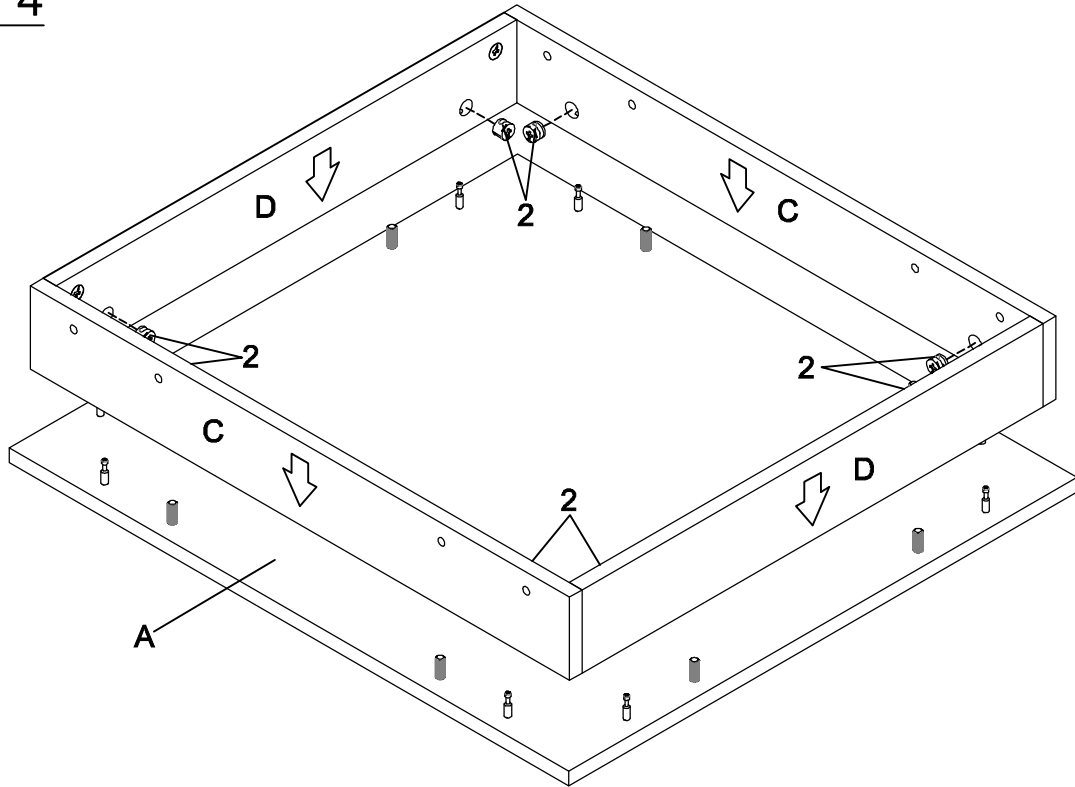


## STEP 3

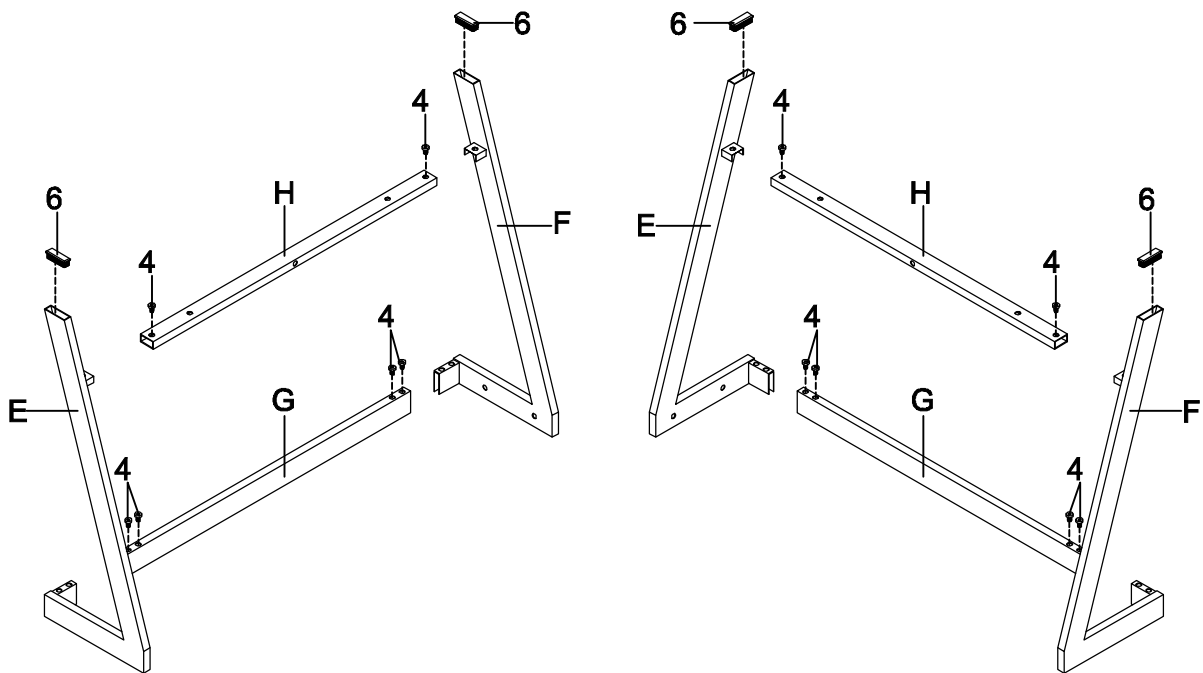


# ASSEMBLY INSTRUCTIONS

## STEP 4

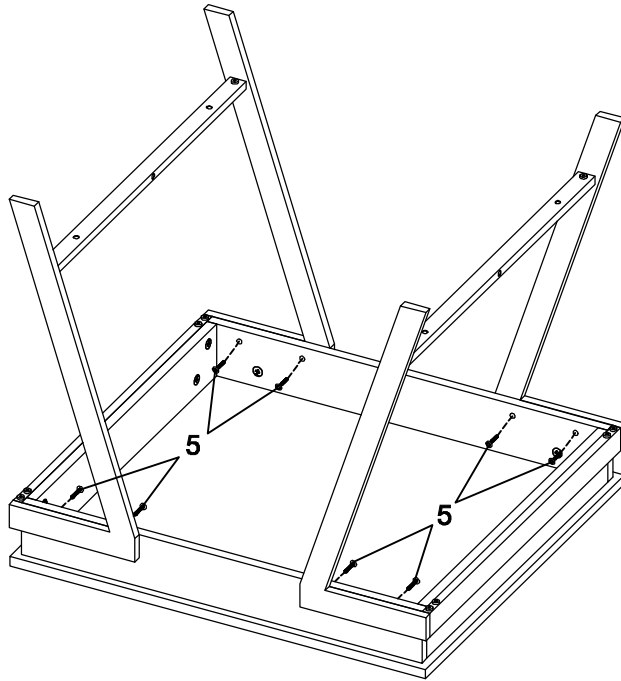


## STEP 5

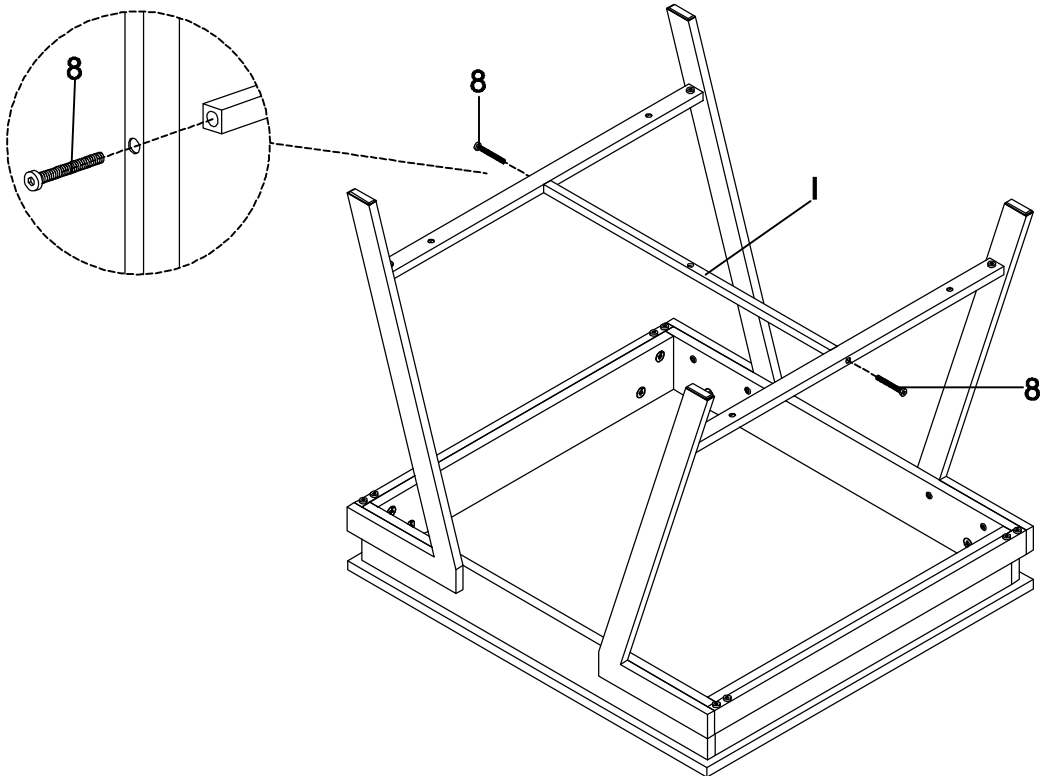


# ASSEMBLY INSTRUCTIONS

## STEP 6

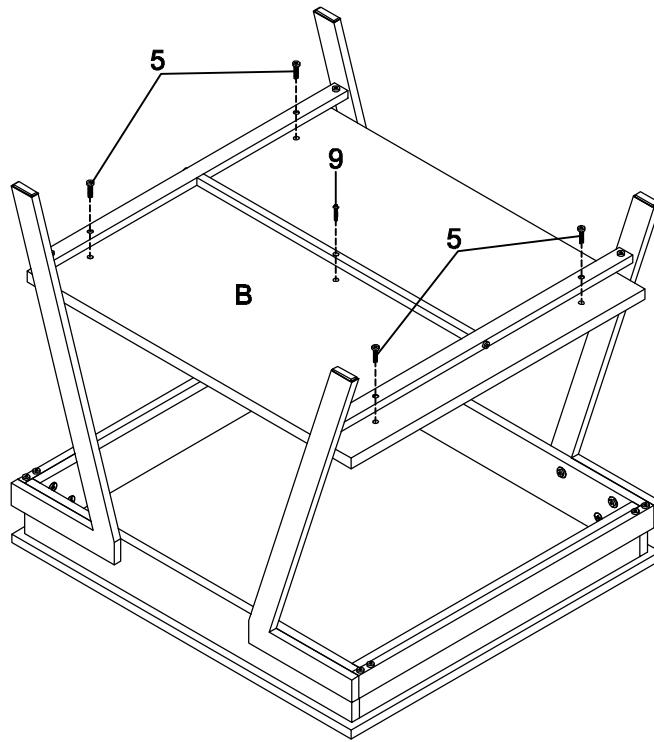


## STEP 7

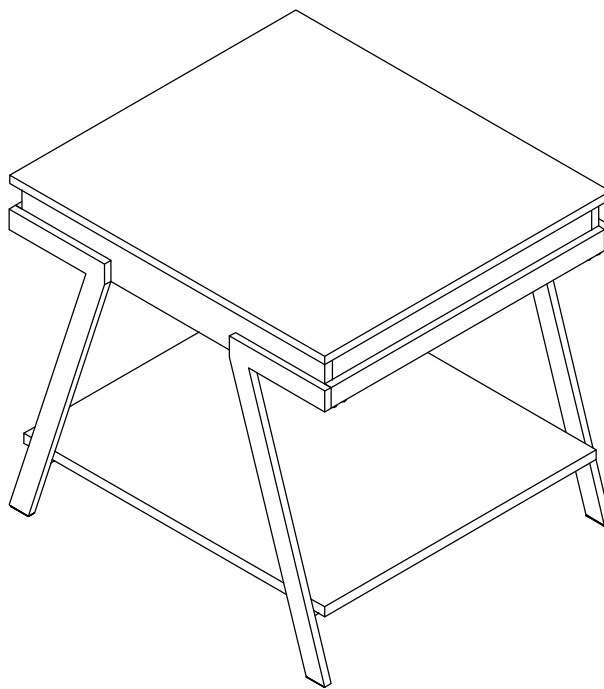


# ASSEMBLY INSTRUCTIONS

## STEP 8



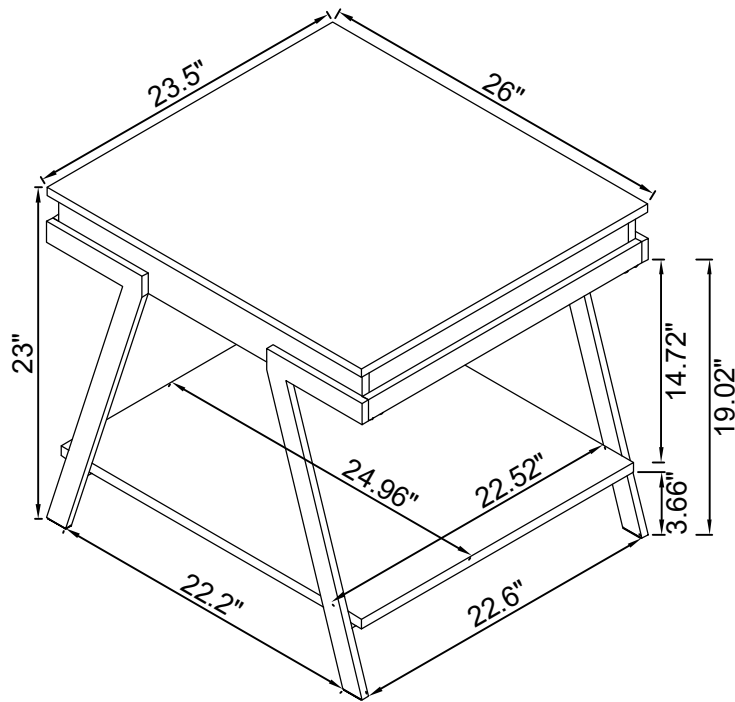
## STEP 9



# ASSEMBLY INSTRUCTIONS

**Product Size : 660 X 597 X 584 H (MM)**

**Product Size : 26" X 23.5" X 23"**



Note : Dimension tolerance  $\pm 5\%$