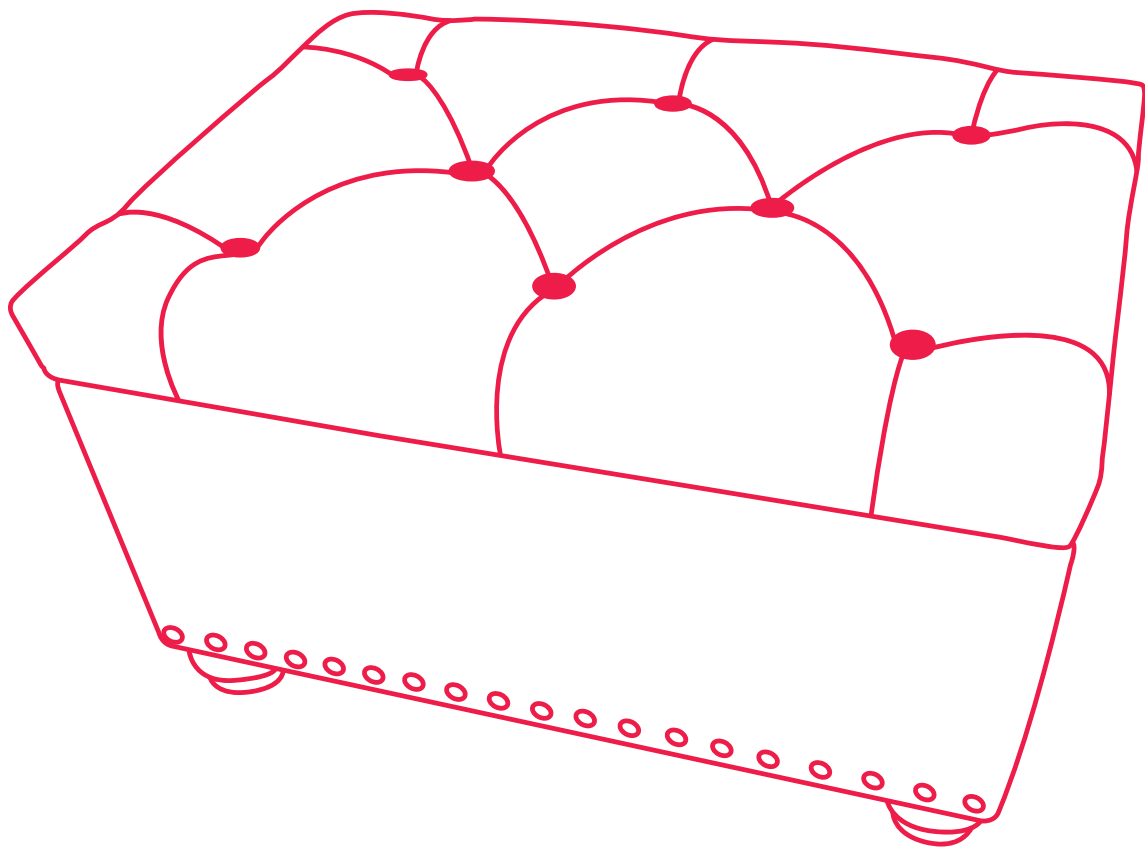


# Stool

*Thank you very much  
for purchasing our product.*

## INSTRUCTION MANUAL



## CAUTION

### Before Use

- Please be careful with your hands when assembling the products as some parts may have sharp edges.
- Please assemble the item on a soft, non-abrasive surface like carpet to prevent damage.
- Before the product is fully assembled, please ensure that your product, including all its components and accessories, is kept away from children and pets.


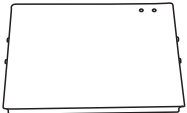

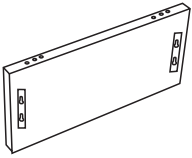
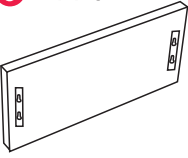



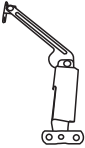
### During Use

- For your safety, please refrain from standing on or using any part of this item as a step ladder.
- Maximum recommended weight for the stool is 331lbs / 150kgs. Please ensure that do not exceed the weight capacity of this item.
- Please ensure that all bolts, screws, and knobs are securely fastened before using and double-check these components every 90 days.
- Do not use or store this item in the proximity of open flammable/combustible chemicals.
- If any parts are missing, broken, damaged, or worn, please refrain from using this product until repairs are made/or factory replacement parts are installed.

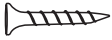
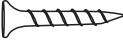

### After Use

- Before assembling the product, please compare each part with the parts list. If you find any missing or damaged parts, please do not attempt to assemble the product, and contact us right away.
- We value every customer's user experience, Please don't hesitate to reach out to us with any suggestions or feedback, We will provide an efficient solution promptly.

## PARTS

<b>1</b> ×1 Pc 	<b>2</b> ×1 Pc 	<b>3</b> ×1 Pc 	<b>4</b> ×1 Pc 	<b>5</b> ×1 Pc 	<b>6</b> ×1 Pc 
<b>7</b> ×4 Pcs 	<b>8</b> ×4 Pcs 	<b>9</b> ×1 Pc 			

## HARDWARE

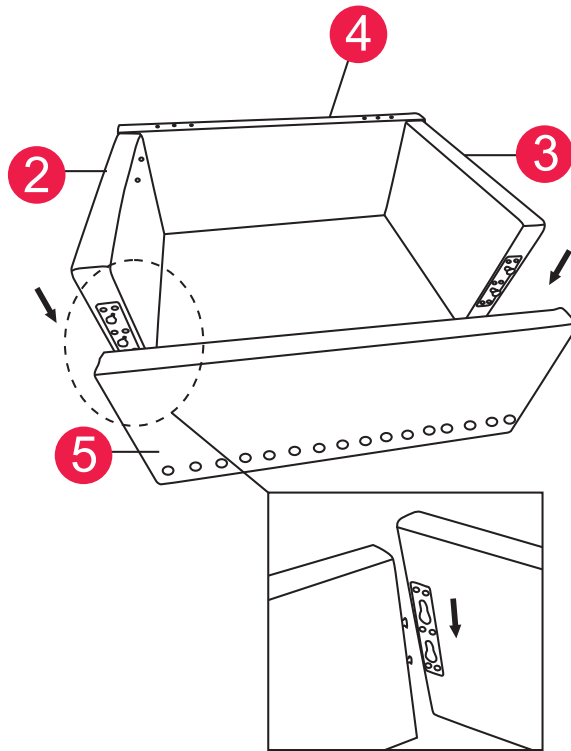
<b>A</b> ×10 Pcs  4x25mm	<b>B</b> ×8 Pcs  4x35mm	<b>C</b> ×1 Pc 
--	---	--

## WARRANTY COVERAGE REQUIREMENTS:

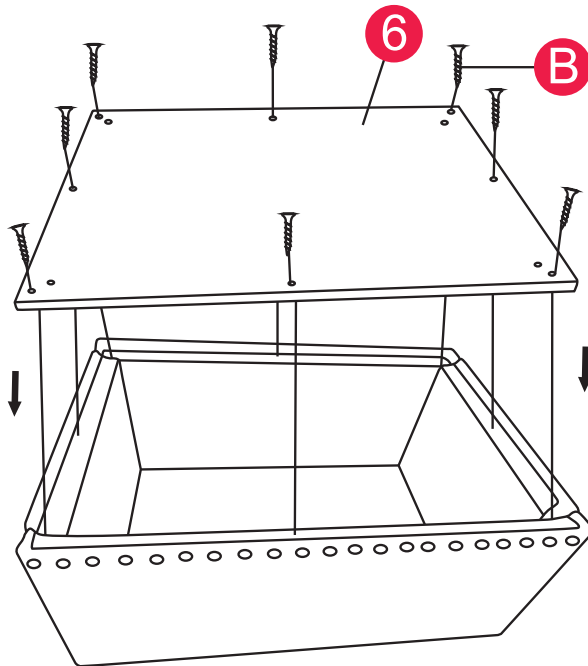
- Pictures of the damaged parts.
- The name or model number of your product.
- Please gather all this information BEFORE you contact us.
- Do not use this item in a way inconsistent with the manufacturer's instructions as this could void the product warranty.

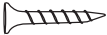
# INSTRUCTIONS

## Step 1



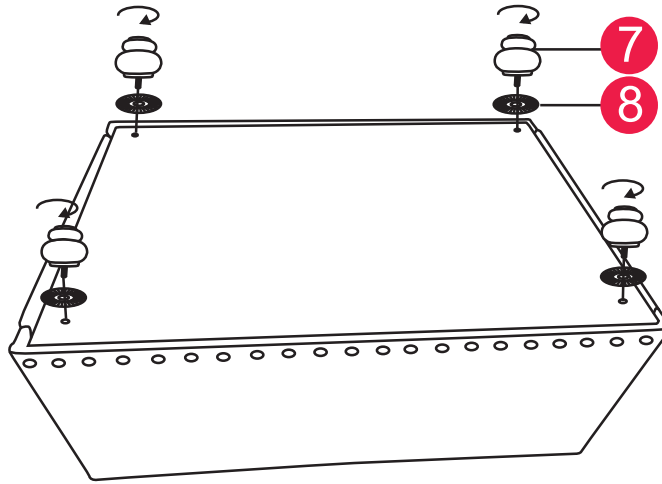
## Step 2



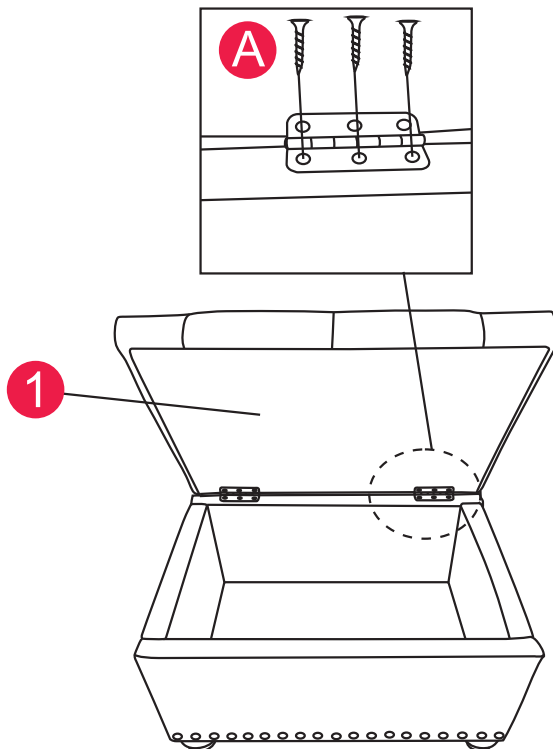
NO	Part List	QTY
B		8 PCS

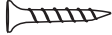
# INSTRUCTIONS

## Step 3



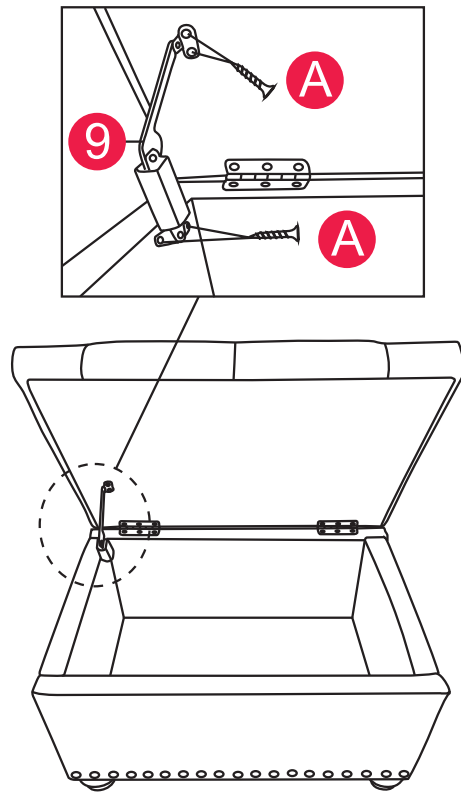
## Step 4

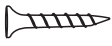


NO	Part List	QTY
A		6 PCS

# INSTRUCTIONS

## ■ Step 5



NO	Part List	QTY
A		4 PCS

## ■ Step 6

