

INSTALLATION

Product Manual



IMPORTANT INFORMATION!

Please read the entire manual before starting to assemble and/or using this product follow the manual thoroughly and keep it for further reference.



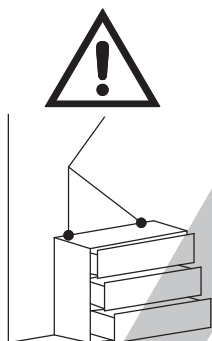
AVOID SCRATCHES!

In order to avoid scratching this furniture should be assembled on a soft layer-could be a rug.



IMPROVE EFFICIENCY !

Try to find a partner to install with you, which can speed up the installation efficiency and shorten the time.



ANTI-TOPPLE WARNING !

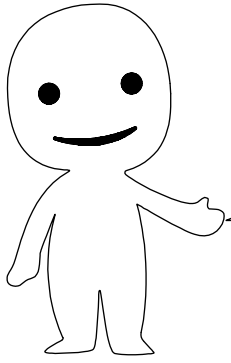
Overturnd furniture can cause serious or fatal crush injuries. To prevent tipping over, be sure to use the wall attachment, if not included with this product. Please purchase the wall attachment that fit your wall. If unsure, seek professional advice. Please read and follow each step of the instructions carefully.

IMPORTANT !

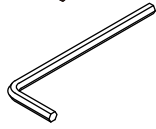
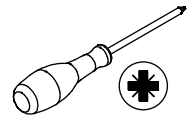
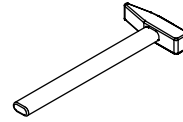
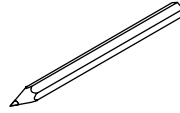
It is important that any product which is assembled using any kind of screw is re-tightened 2 weeks after assembly, and once every 3 months - in order to assure stability through-out the lifespan of the product.

For regular maintenance and cleaning of the product, for the frame, please use a rag dipped in neutral detergent to fully wipe it, and then dry it with a clean rag. For glass materials, wipe with a rag dampened with water glass cleaner, and then dry with a dry rag.

Do not use an electric screwdriver, and do not use too much force when installing, because the board is easy to break.

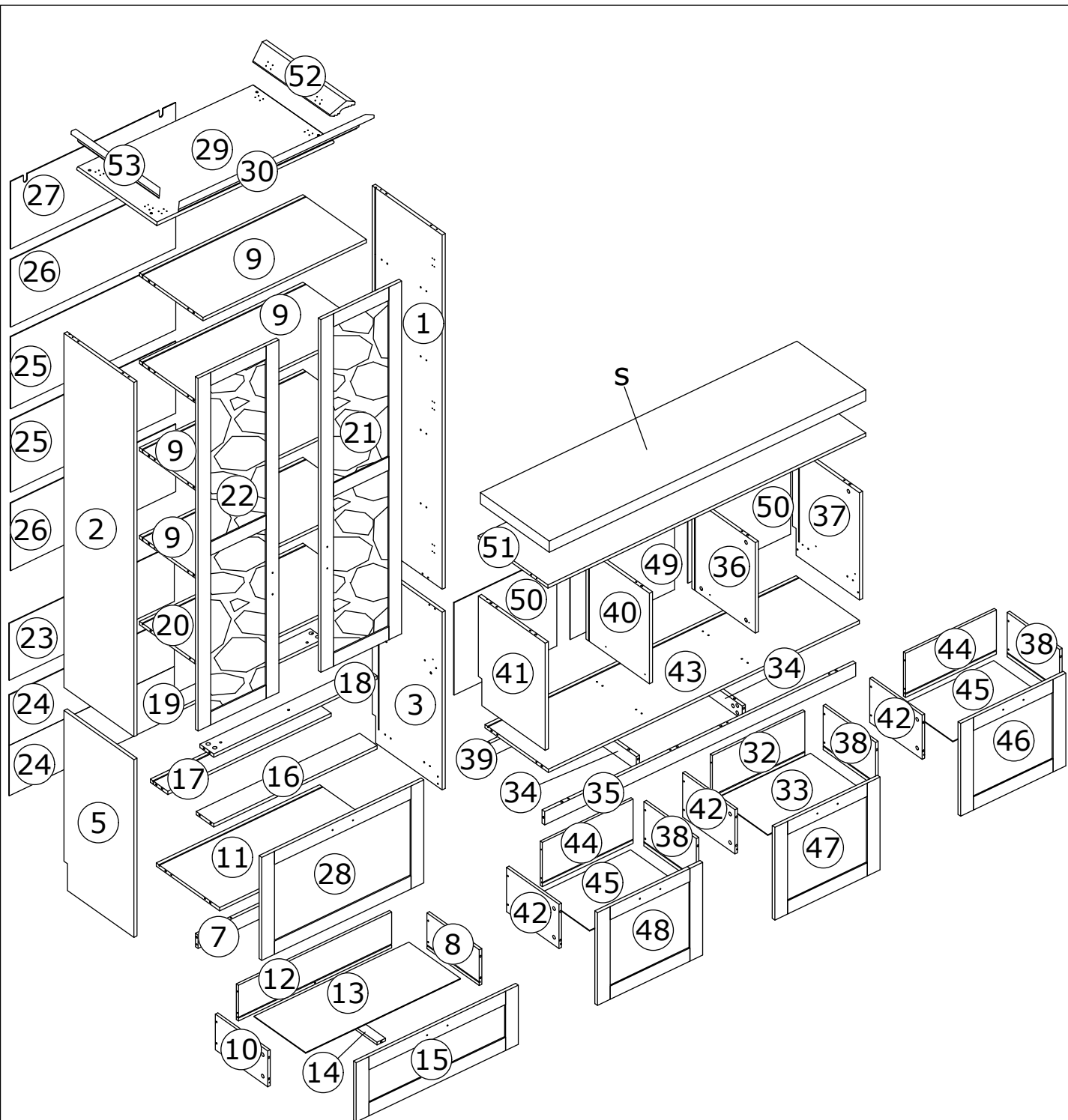


Please prepare the following tools



When installing, please carefully confirm whether each screw corresponds to the manual, accessories with similar shapes can be distinguished by size

<p>A x 150</p>  <p>CRB1595A</p>	<p>B x 150</p>  <p>CRA0635A</p>	<p>C x 92</p>  <p>CRF0630A</p>	<p>D x 34</p>  <p>CRC0540A</p>	<p>E x 156</p>  <p>CRD3512A</p>
<p>F x 124</p>  <p>CRD3514A</p>	<p>G x 16</p>  <p>DGA861C</p>	<p>H x 22</p>  <p>CRE0418A</p>	<p>J x 4</p>  <p>CRD3535A</p>	<p>K x 14</p> 
<p>L x 4</p> 	<p>M x 4</p> 	<p>N x 4</p> 	<p>P x 12</p>  <p>CRG0625A</p>	<p>Q x 11</p> 
<p>R x 5</p>  <p>WX1012A</p>	<p>T x 96</p> 	<p>U x 96</p>  <p>CRD0314A</p>	<p>V x 2</p> 	<p>W x 1</p>  <p>M4</p>



⚠ WARNING

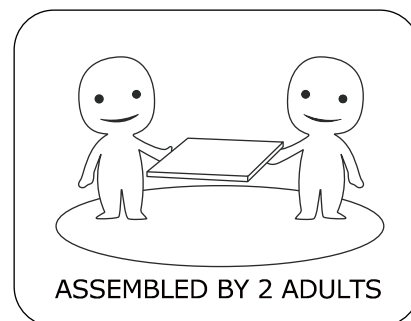


Children have died from furniture tipover. To reduce the risk of furniture tipover:

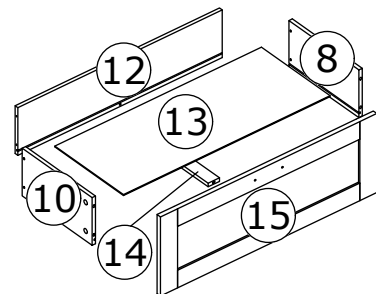
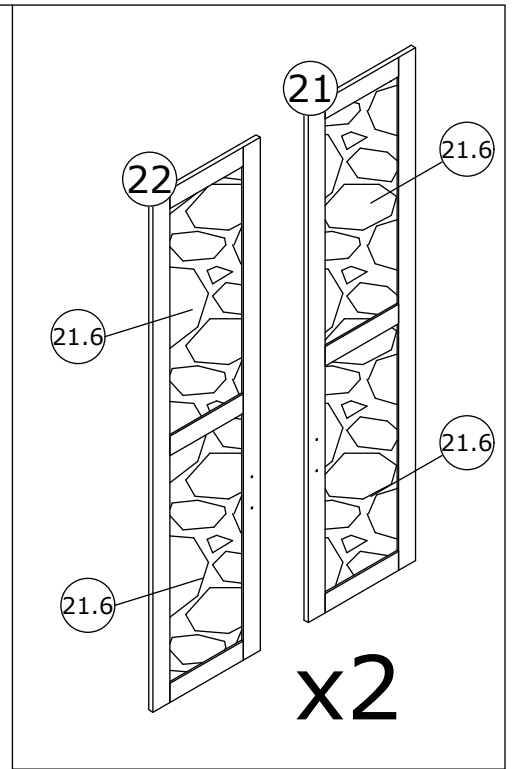
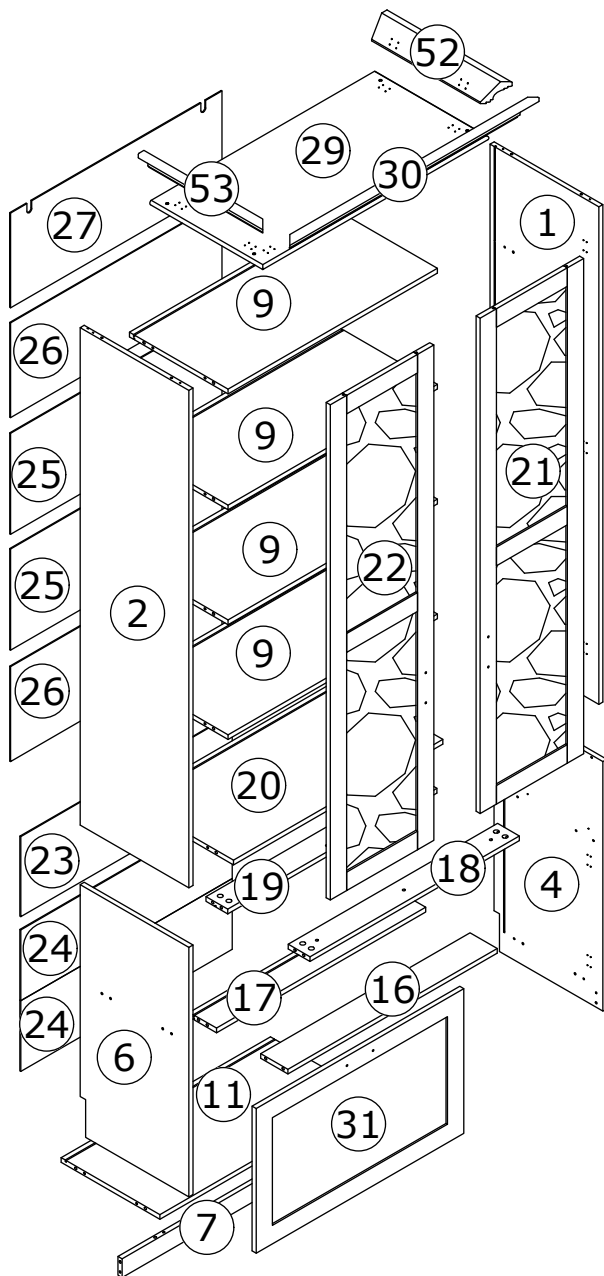
- ALWAYS install Anti-tip device provided.
- NEVER put a TV on this product.
- NEVER allow children to stand, climb or hang on drawers, doors, or shelves.
- NEVER open more than one drawer at a time.
- Place heaviest items in the lowest drawers.



*This is a permanent label.
Do not remove!*



ASSEMBLED BY 2 ADULTS



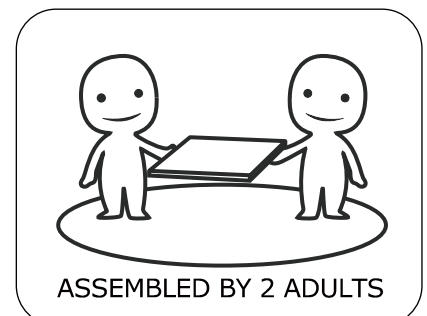
⚠ WARNING



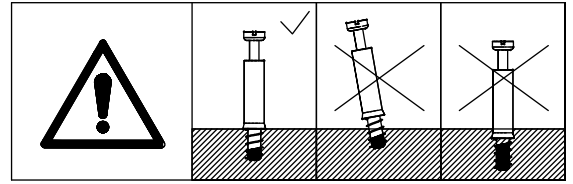
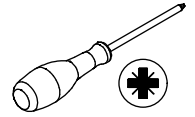
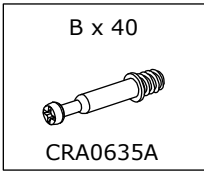
Children have died from furniture tipover. To reduce the risk of furniture tipover:

- ALWAYS install Anti-tip device provided.
- NEVER put a TV on this product.
- NEVER allow children to stand, climb or hang on drawers, doors, or shelves.
- NEVER open more than one drawer at a time.
- Place heaviest items in the lowest drawers.

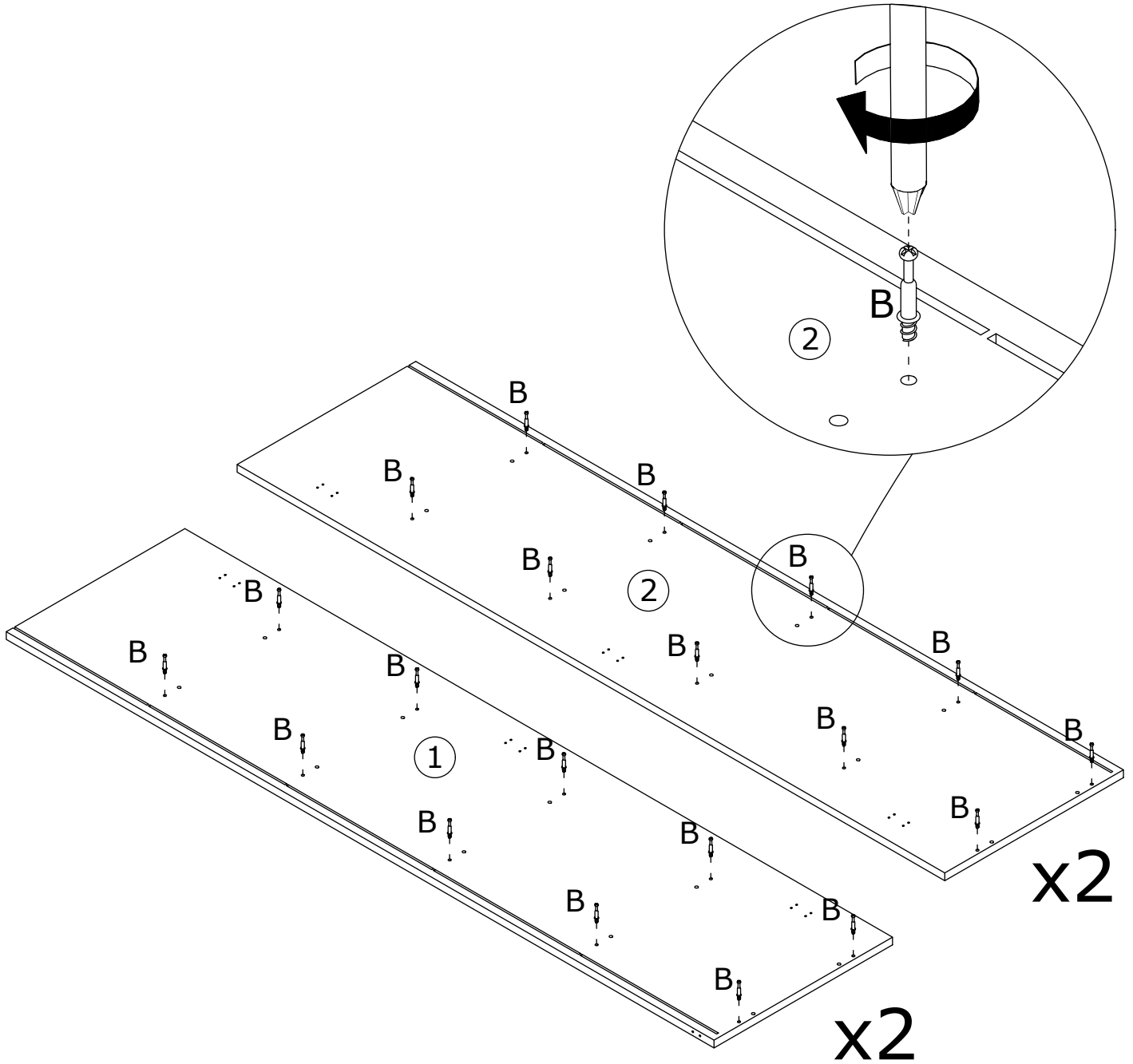
*This is a permanent label.
Do not remove!*



1



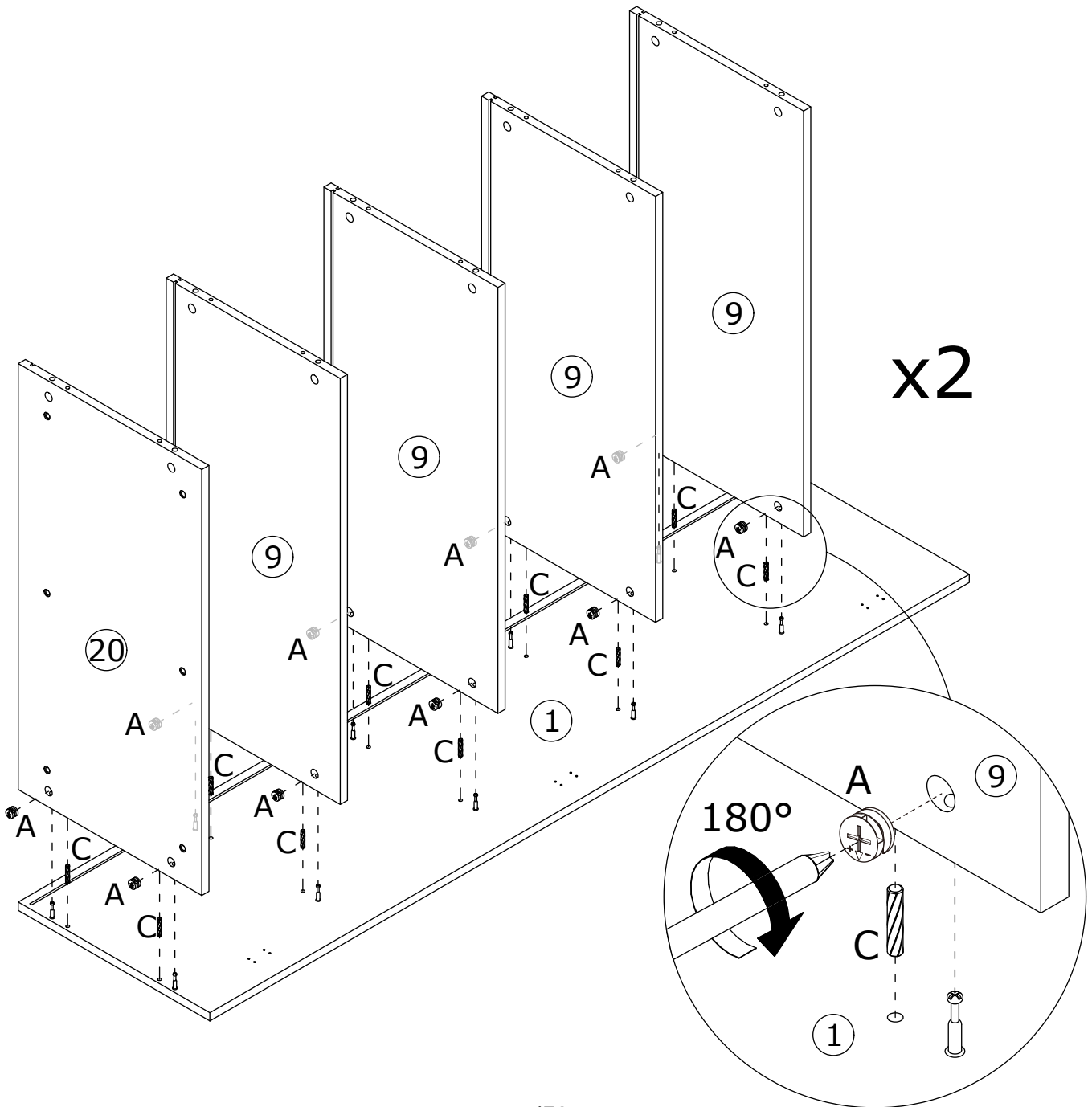
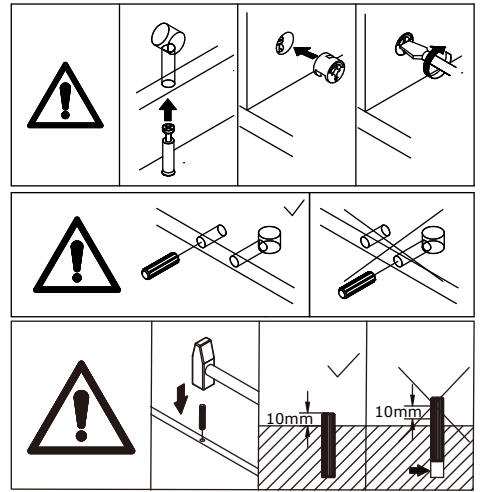
As shown in the figure, screw the self-tapping rod (B) into Panel 1 and Panel 2.



2

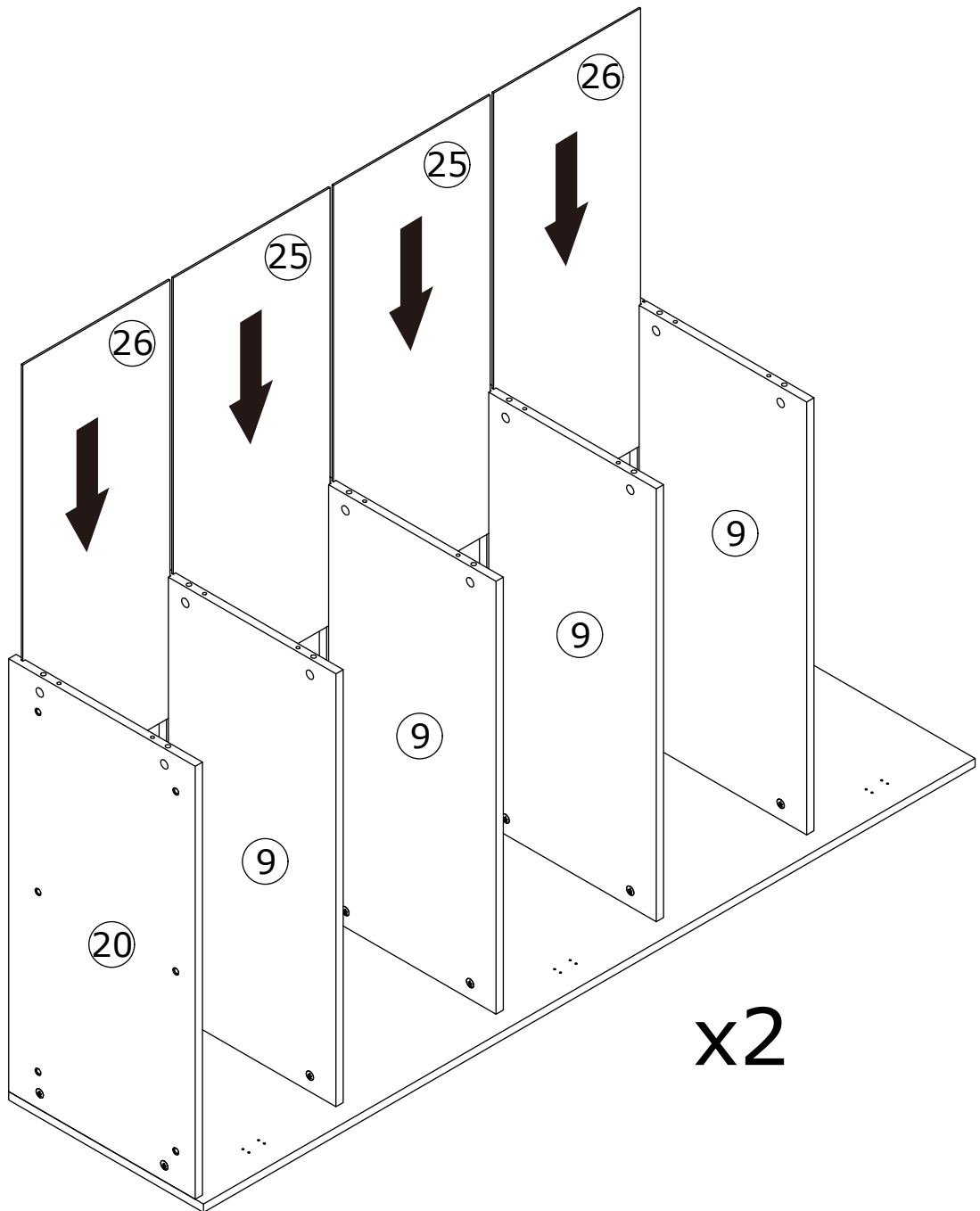


As shown in the figure, use the wooden dowels (C) to connect Panel 9 and 20 to Panel 1, and then insert the eccentric wheel (A) and tighten it by rotating it clockwise.



3

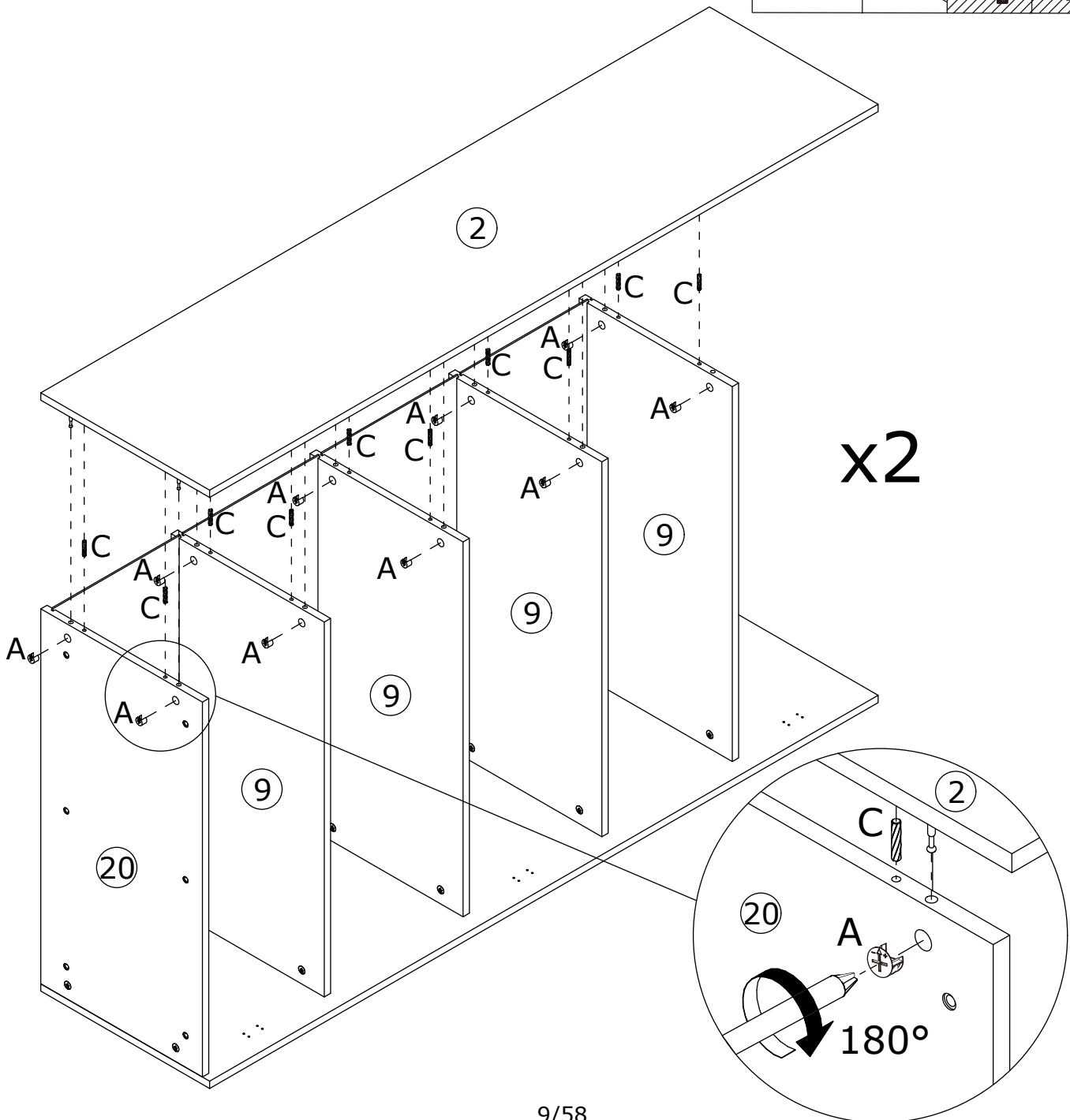
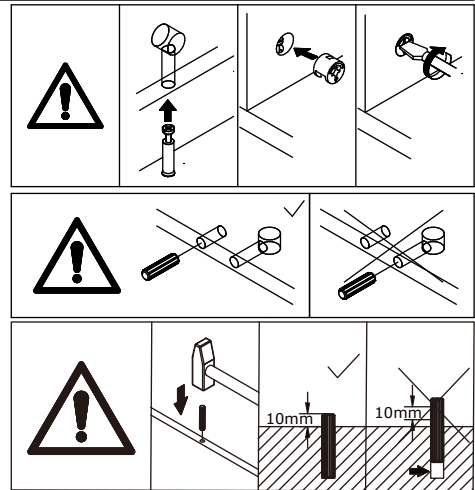
As shown in the figure, insert Panel 25 and 26 along the available slot.



4



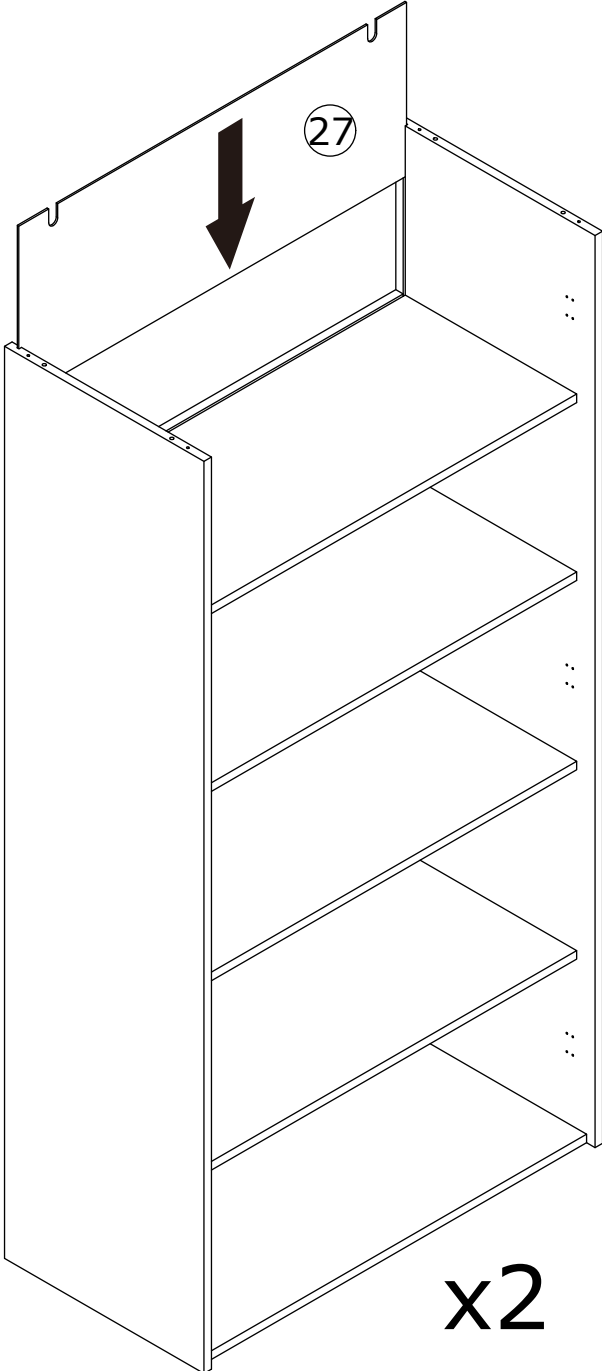
As shown in the figure, use the wooden dowel (C) to connect Panel 2 to the assembled unit, and then insert the eccentric wheel (A) and tighten it by rotating it clockwise.



5







As shown in the figure, insert Panel 27 along the available slot.

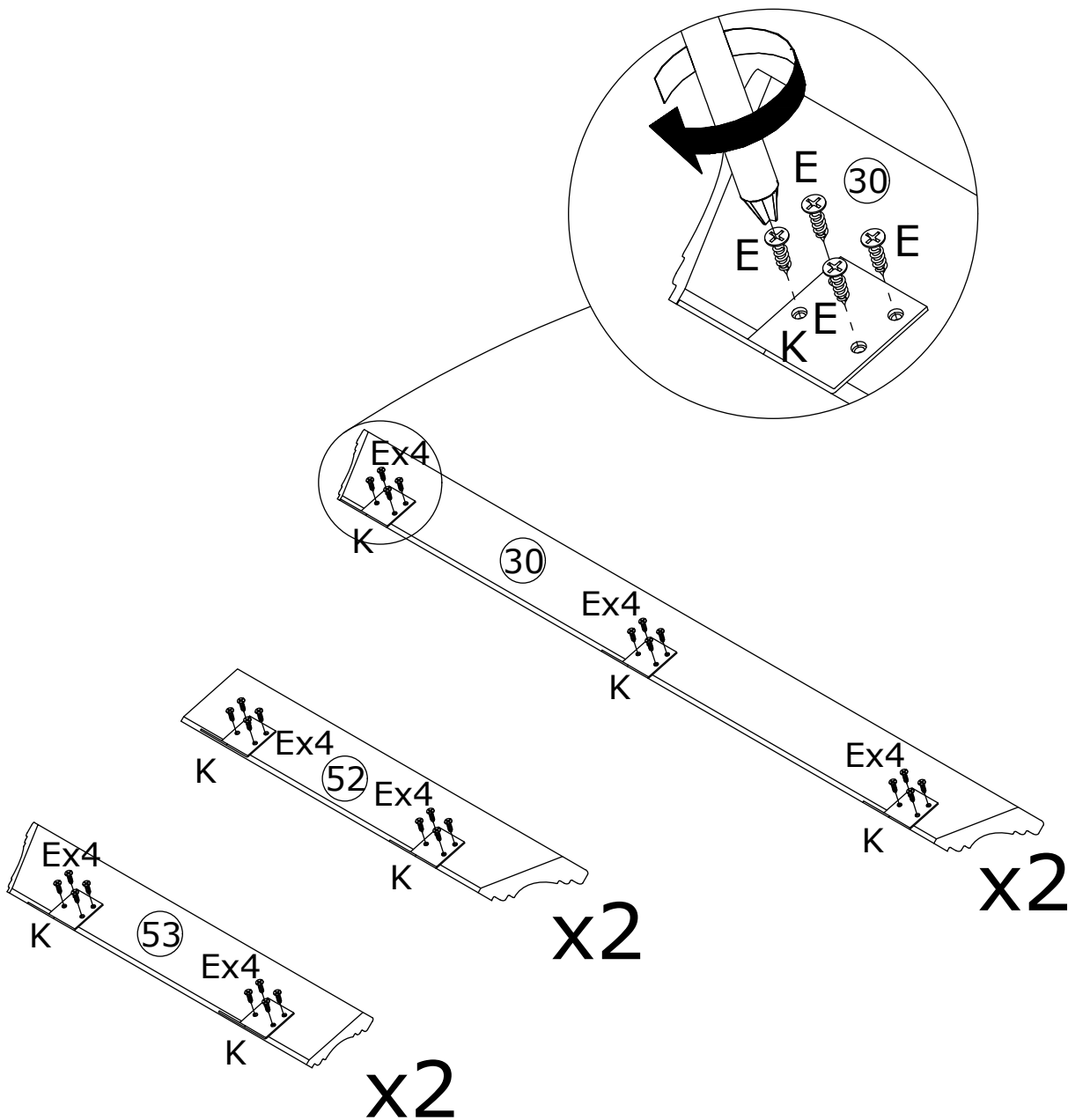


6

E x 56  CRD3512A	K x 14 	
---	---	---

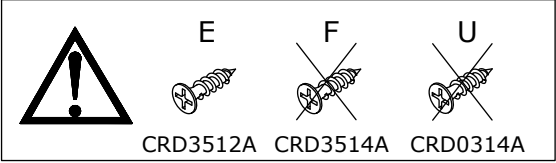
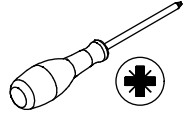
	E 	F 	U 
	CRD3512A	CRD3514A	CRD0314A

As shown in the figure, use the screw (E) to install the component (K) onto Panel 30, 52 and 53.

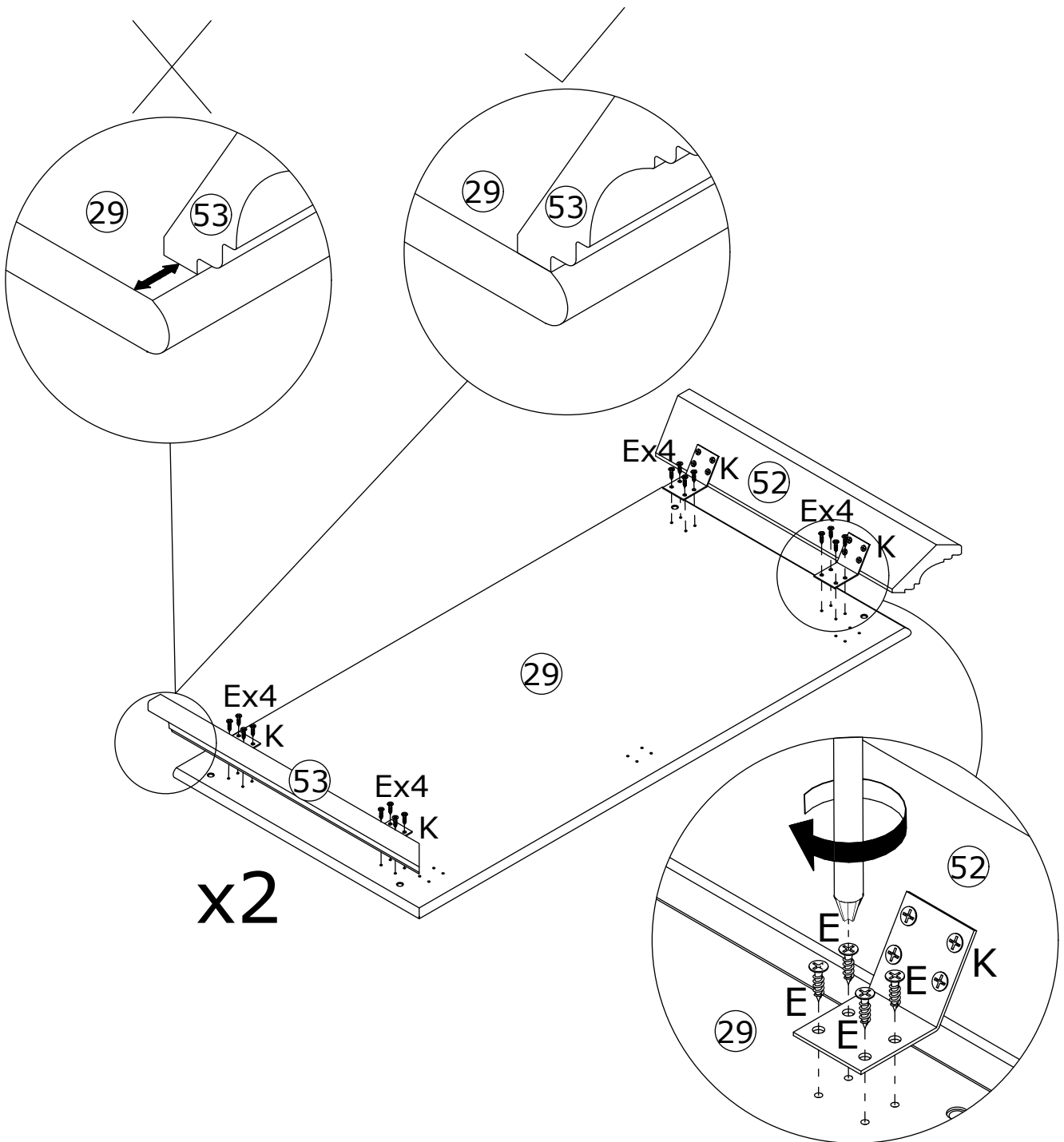


7

Ex 32
CRD3512A

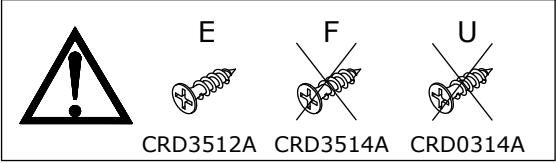
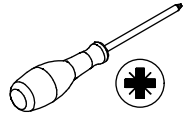


As shown in the figure, use the screw (E) to install the component (K) onto Panel 29, and align Panel 52 and 53 with Panel 29.

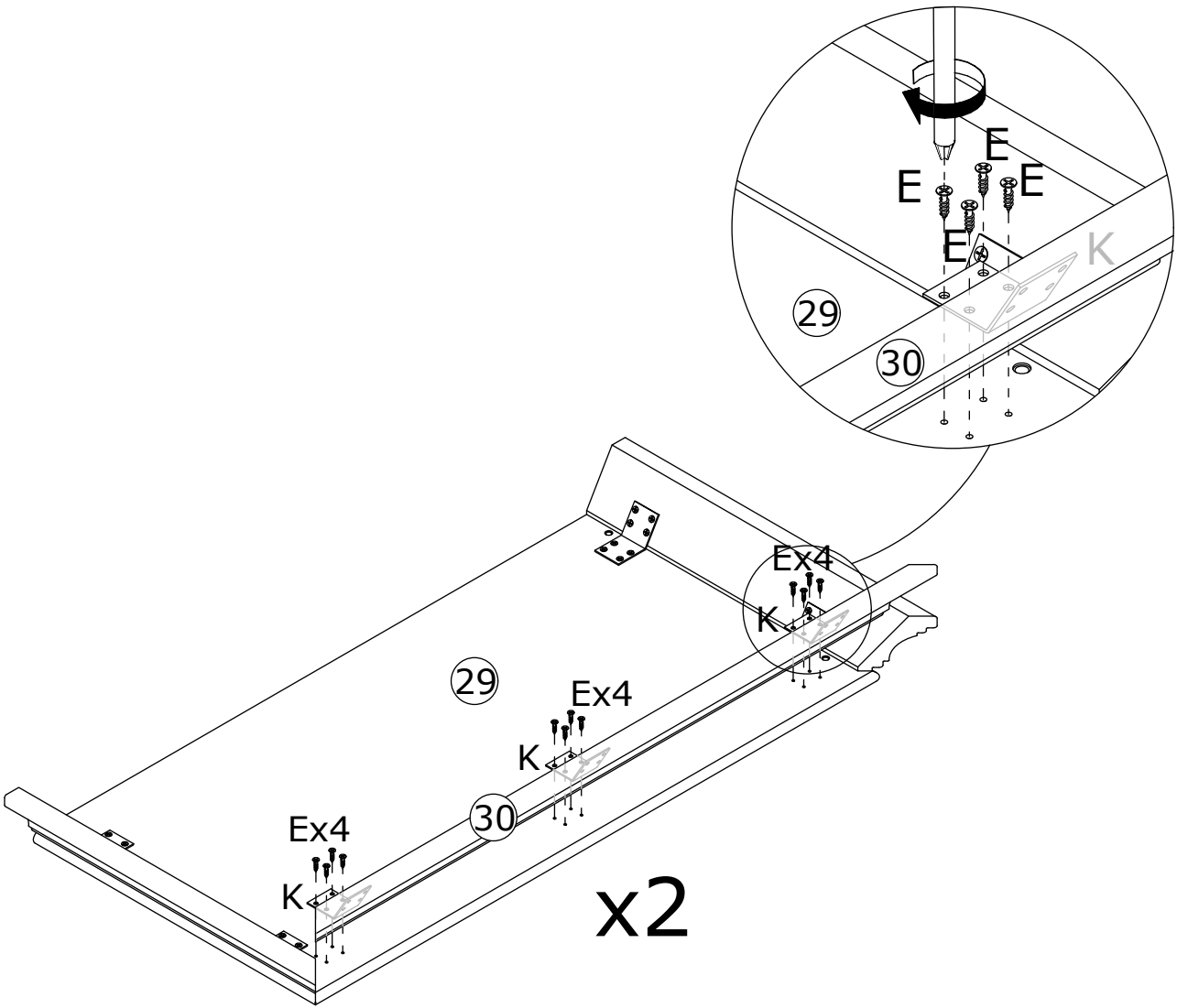


8

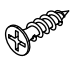

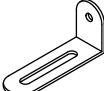
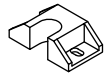
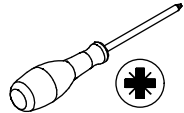
E x 24
CRD3512A







As shown in the figure, use the screw (E) to install the component (K) onto Panel 29.

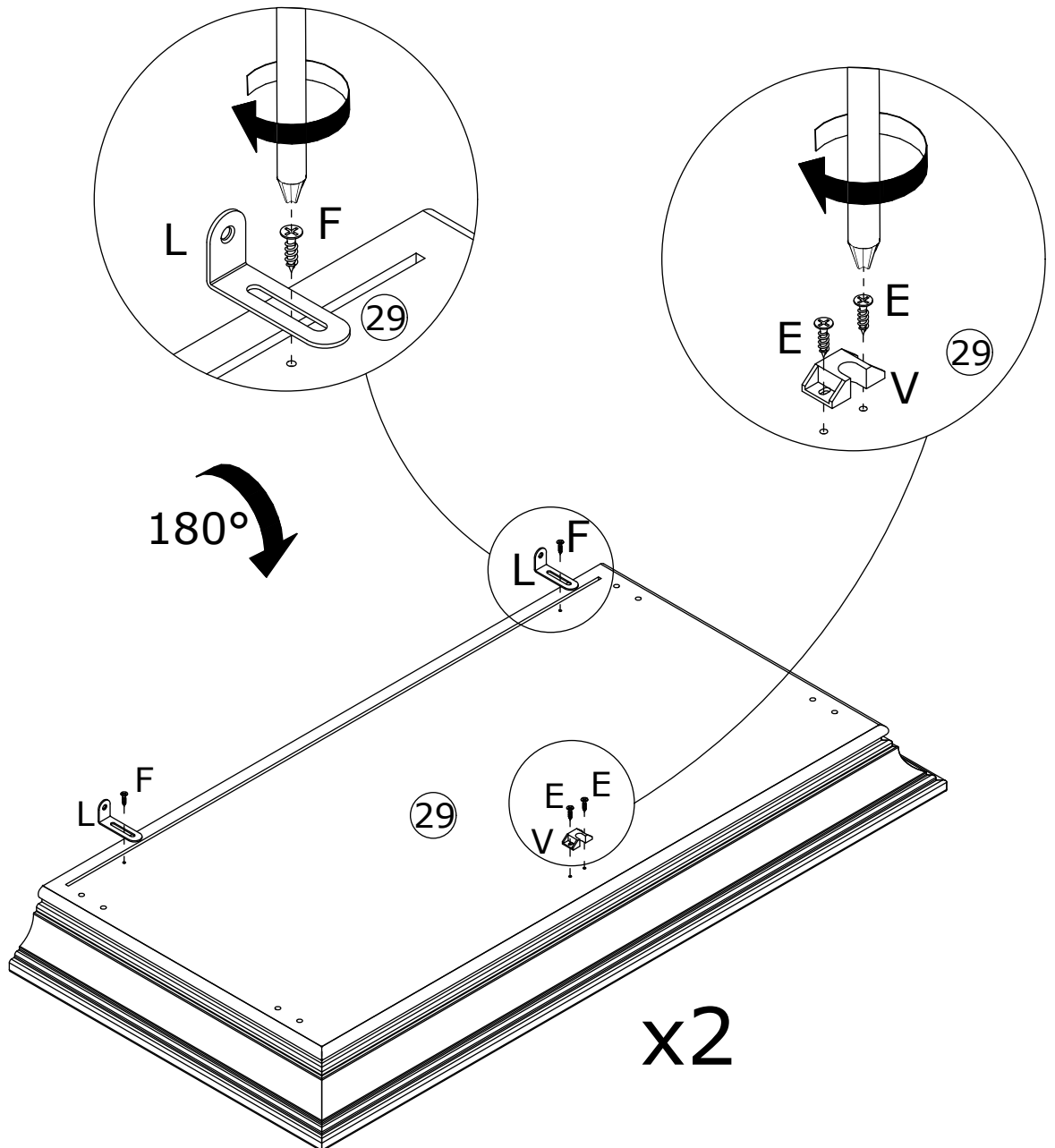


9

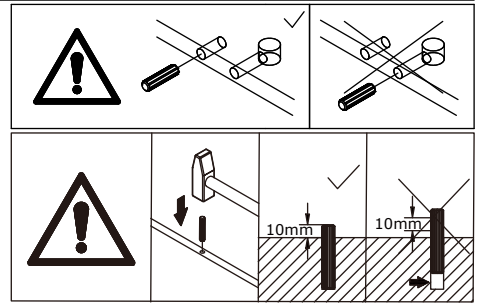
E x 4  CRD3512A	F x 4  CRD3514A	L x 4 	V x 2 	
--	--	--	---	---

	E  CRD3512A	F  CRD3514A	U  CRD0314A
--	--	--	---

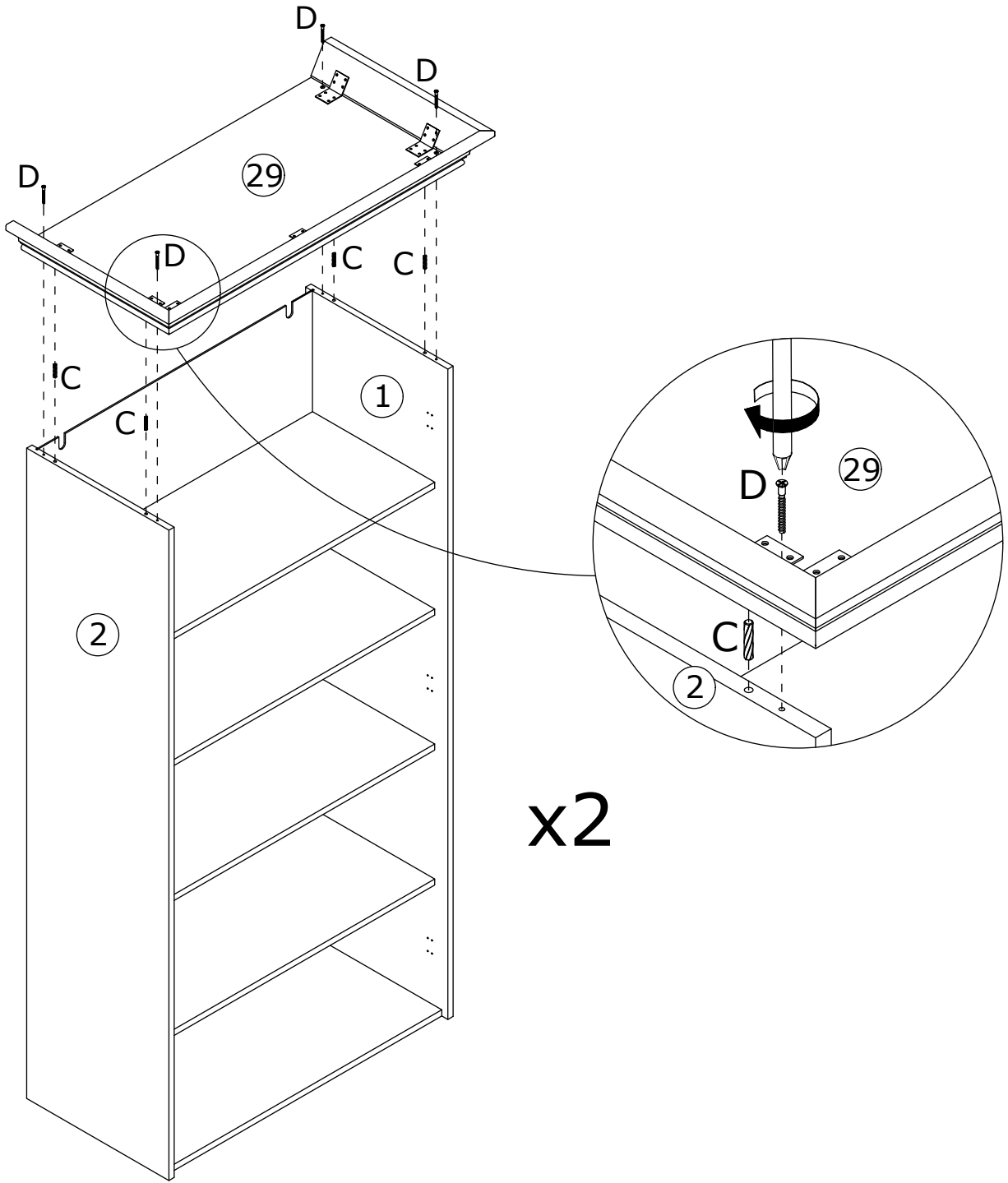
As shown in the figure, use the screw (E) to install the component (V) onto Panel 29, and use the screw (F) to install the component (L).



10



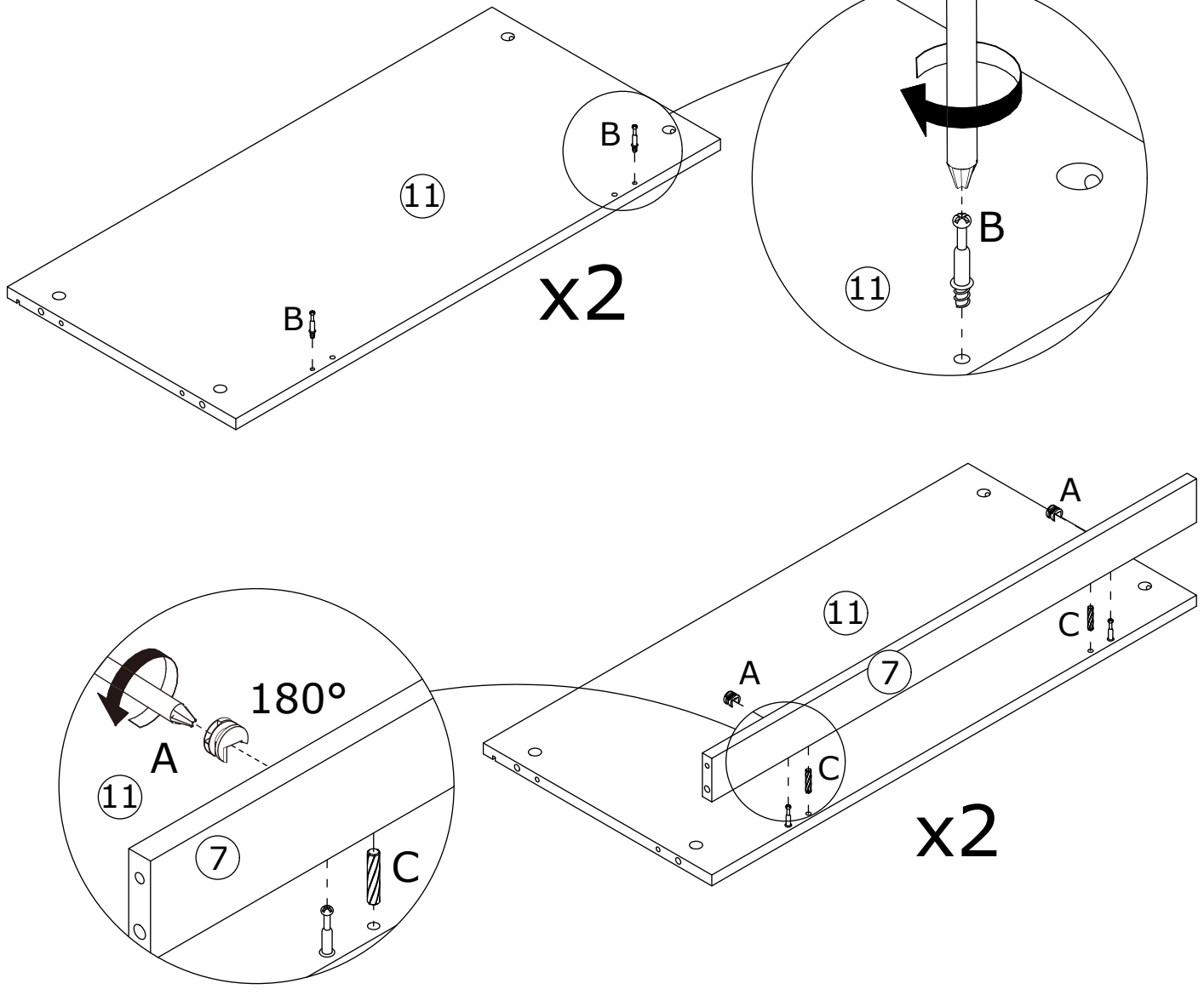
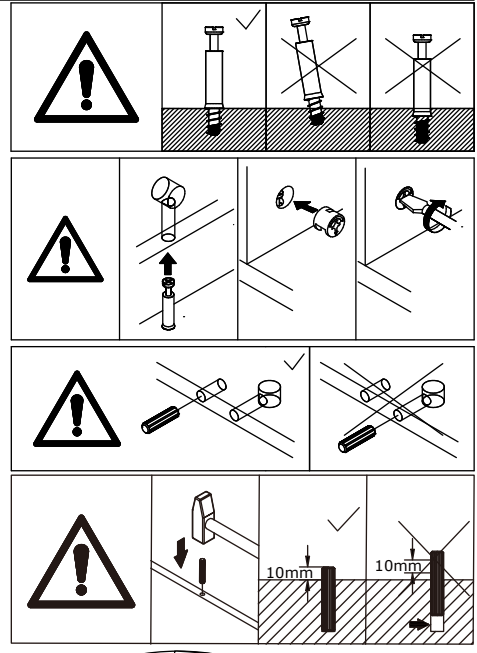
As shown in the figure, use the wooden dowels (C) to connect the assembled unit to Panel 1 and 2, and then fix with the screws (D).



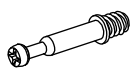

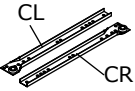
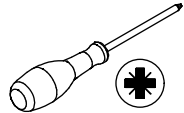
11

<p>A x 4</p> <p>CRB1595A</p>	<p>B x 4</p> <p>CRA0635A</p>	<p>C x 4</p> <p>CRF0630A</p>	
------------------------------	------------------------------	------------------------------	--

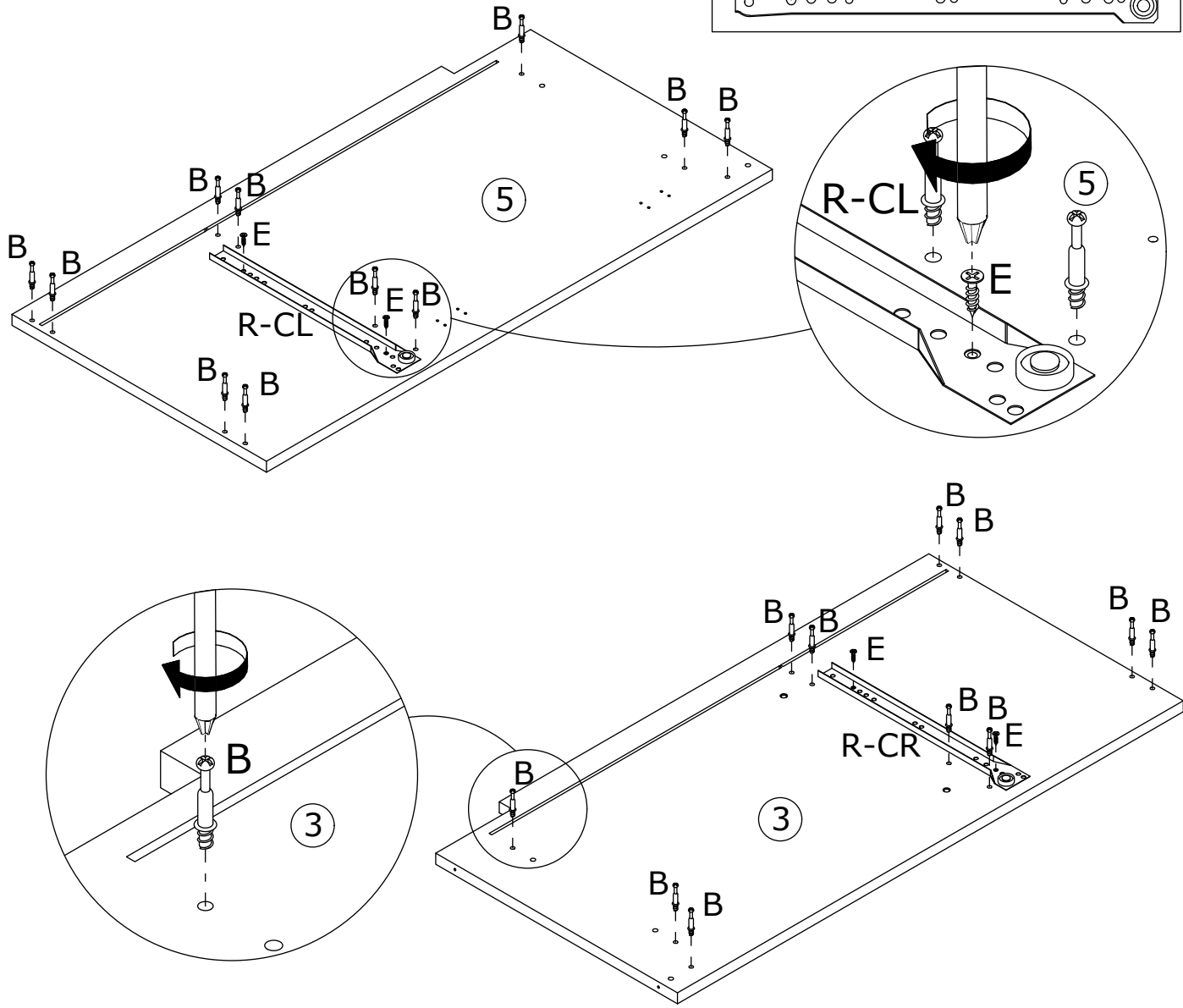
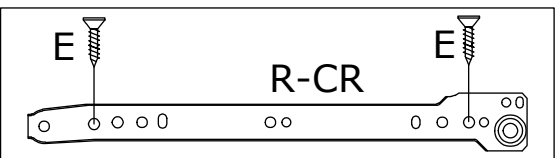
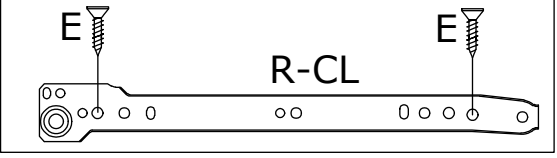
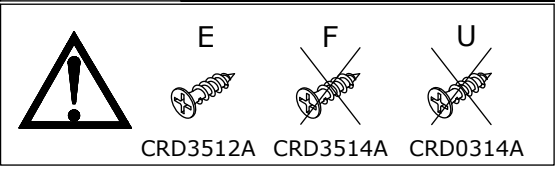
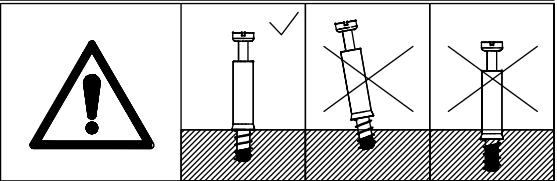
As shown in the figure, screw the self-tapping rod (B) into Panel 11.
 Use the wooden dowel (C) to connect Panel 7 to Panel 11, and then insert the eccentric wheel (A) and tighten it by rotating it clockwise.





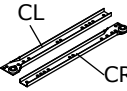
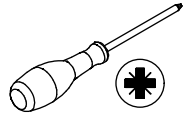
12

<p>B x 22 CRA0635A</p> 	<p>E x 4 CRD3512A</p> 	<p>R x 1 CL CR WX1012A</p> 	
--	---	--	---

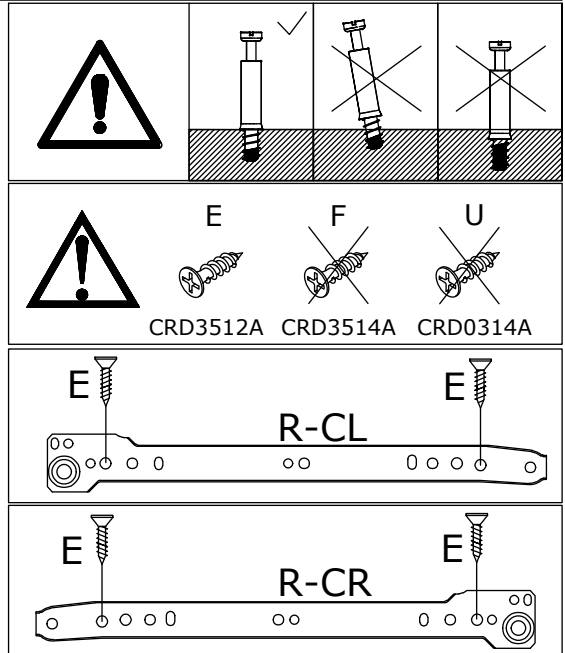
As shown in the figure, screw the self-tapping rod (B) into Panel 3 and 5. Fix the sliding rail R (R-CL) to Panel 5 with the screw (E), and fix the sliding rail R (R-CR) to Panel 3 with the screw (E).



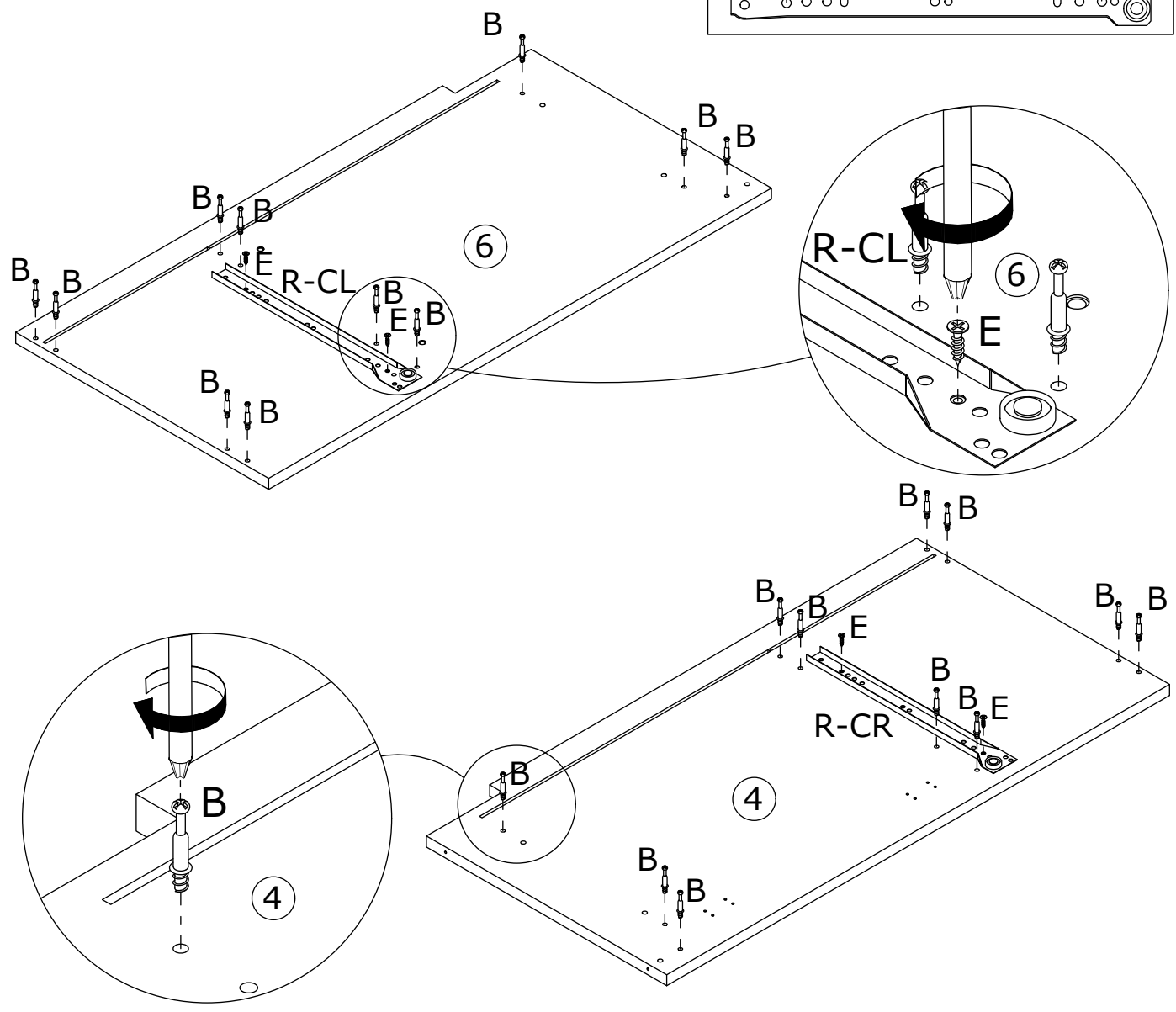
13

<p>B x 22 CRA0635A</p> 	<p>E x 4 CRD3512A</p> 	<p>R x 1 CL CR WX1012A</p> 	
--	---	--	---

As shown in the figure, screw the self-tapping rod (B) into Panel 4 and 6. Use the screw (E) to fix the sliding rail R (R-CL) to Panel 6, and use the screw (E) to fix the sliding rail R (R-CR) to Panel 4.



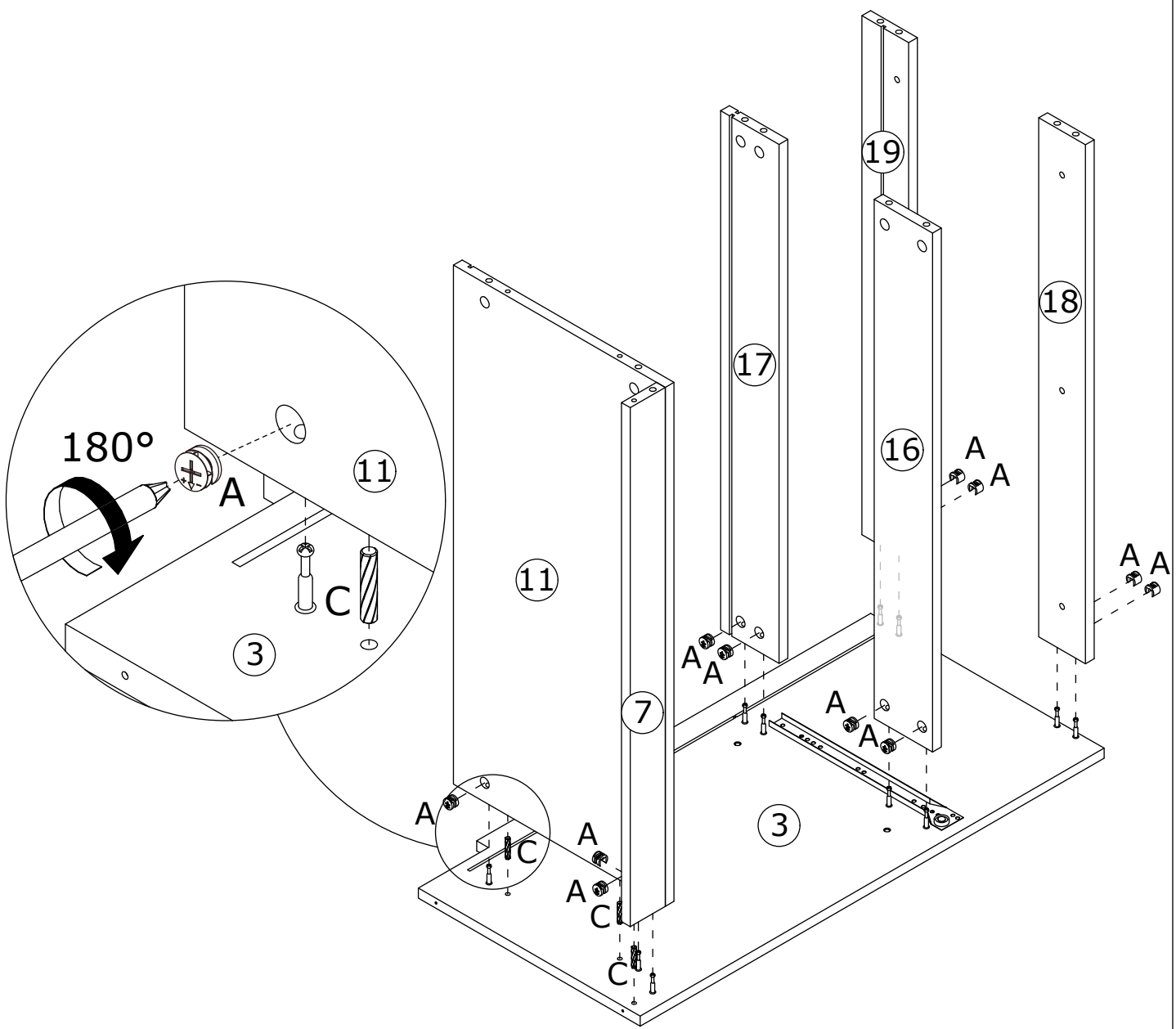
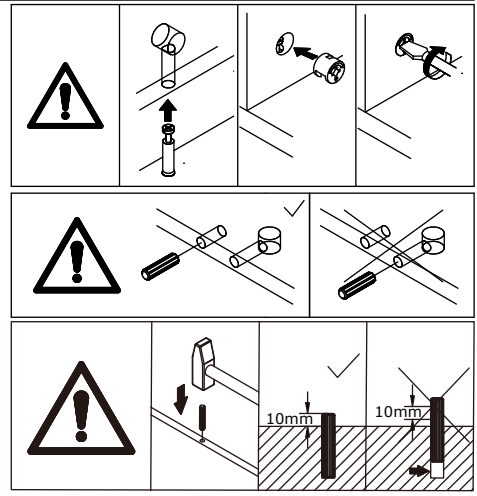
Warning: Do not use screws F, U, or CRD0314A. Use screw E (CRD3512A) for R-CL and R-CR.



14

A x 11  CRB1595A	C x 3  CRF0630A	
---	--	---

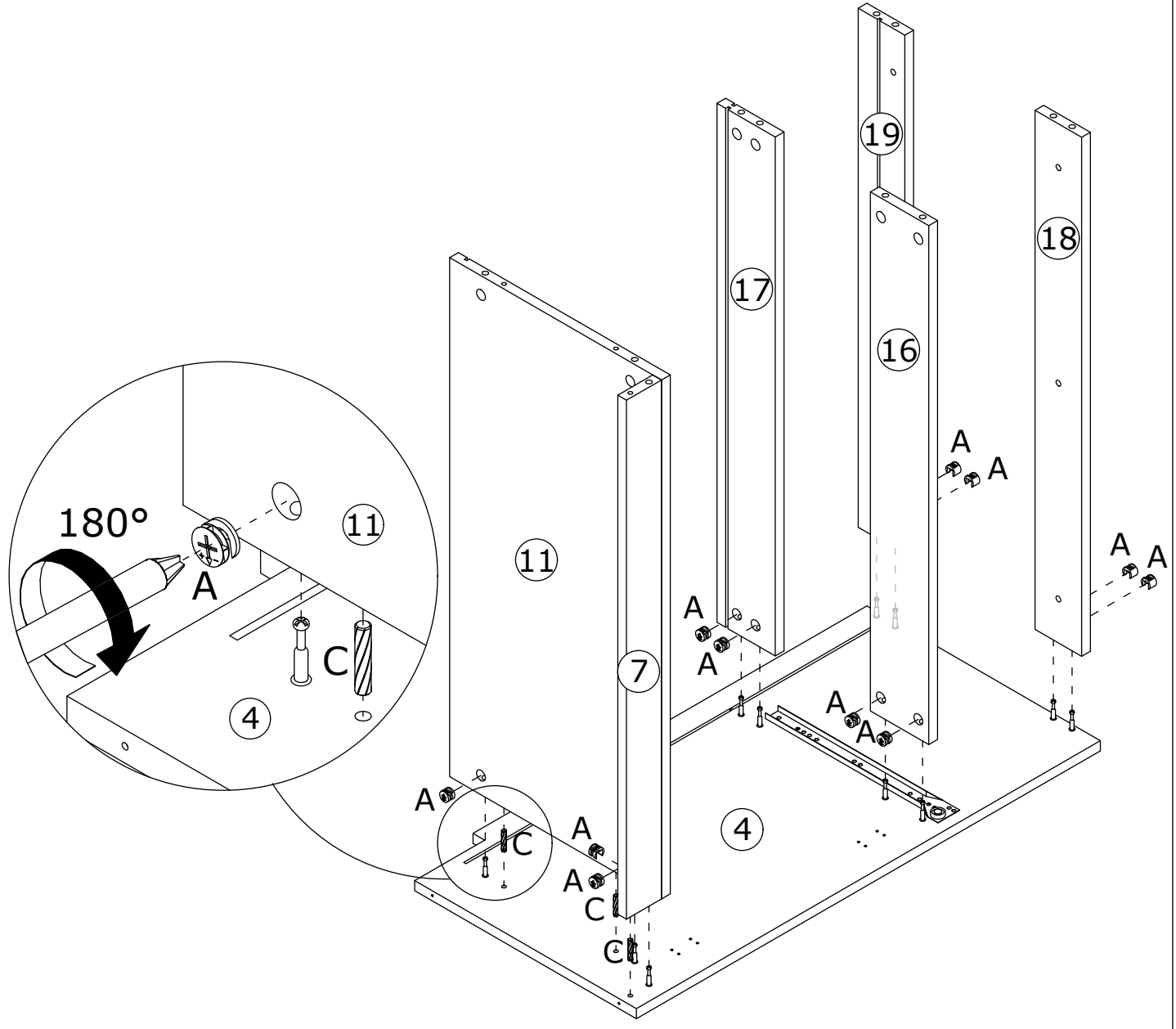
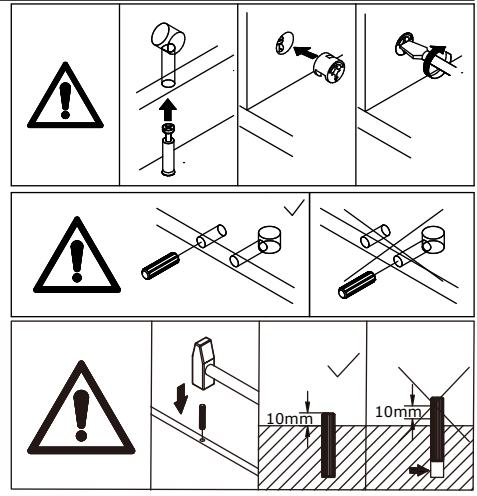
As shown in the figure, use the wooden dowels (C) to connect Panel 7, 11, 16, 17, 18 and 19 to Panel 3, and then insert the eccentric wheel (A) and tighten it by rotating it clockwise.



15

<p>A x 11</p>  <p>CRB1595A</p>	<p>C x 3</p>  <p>CRF0630A</p>	
---	--	---

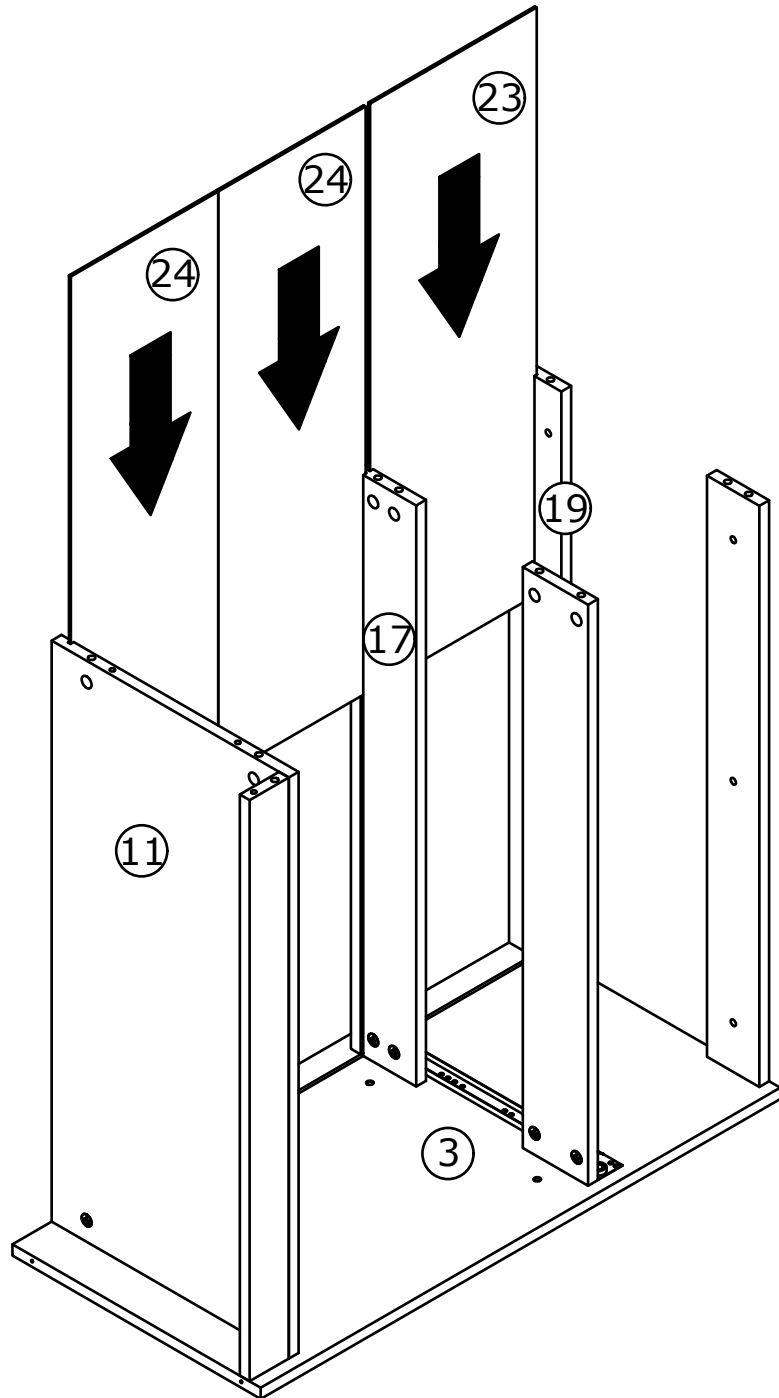
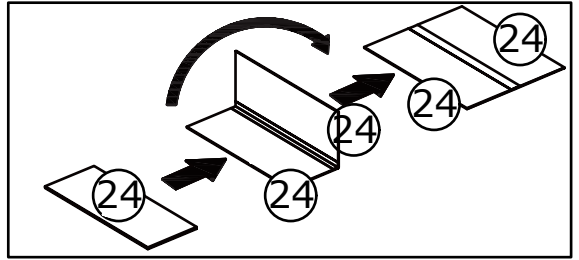
As shown in the figure, use the wooden dowels (C) to connect Panel 7, 11, 16, 17, 18 and 19 to Panel 4, and then insert the eccentric wheel (A) and tighten it by rotating it clockwise.



16

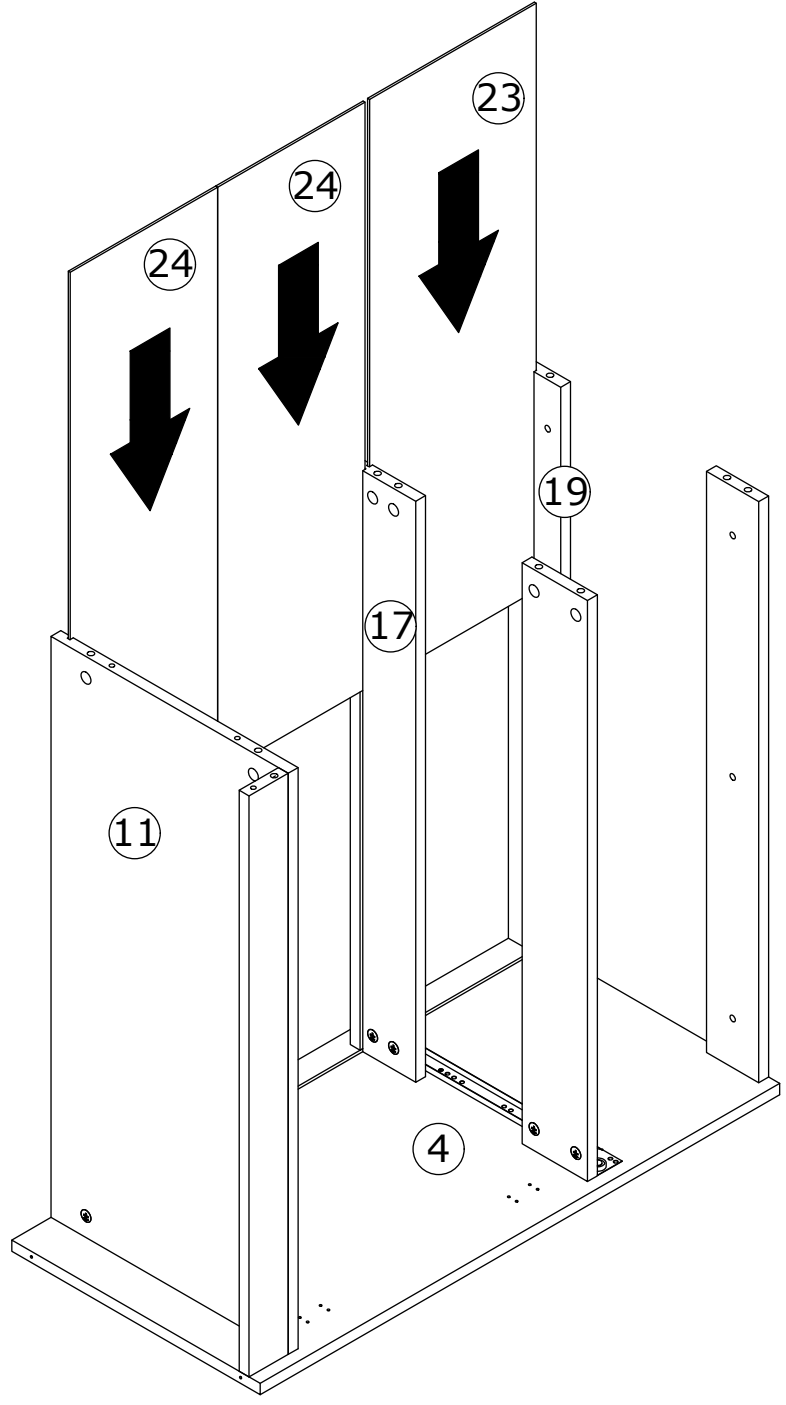
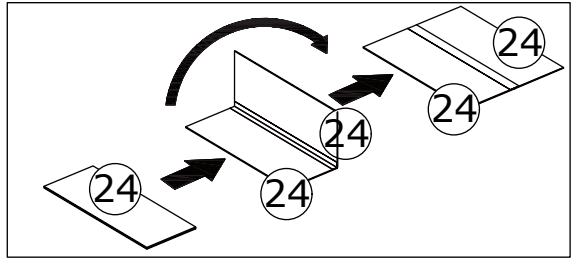


As shown in the figure, insert Panel 23 and 24 along the available slot.



17

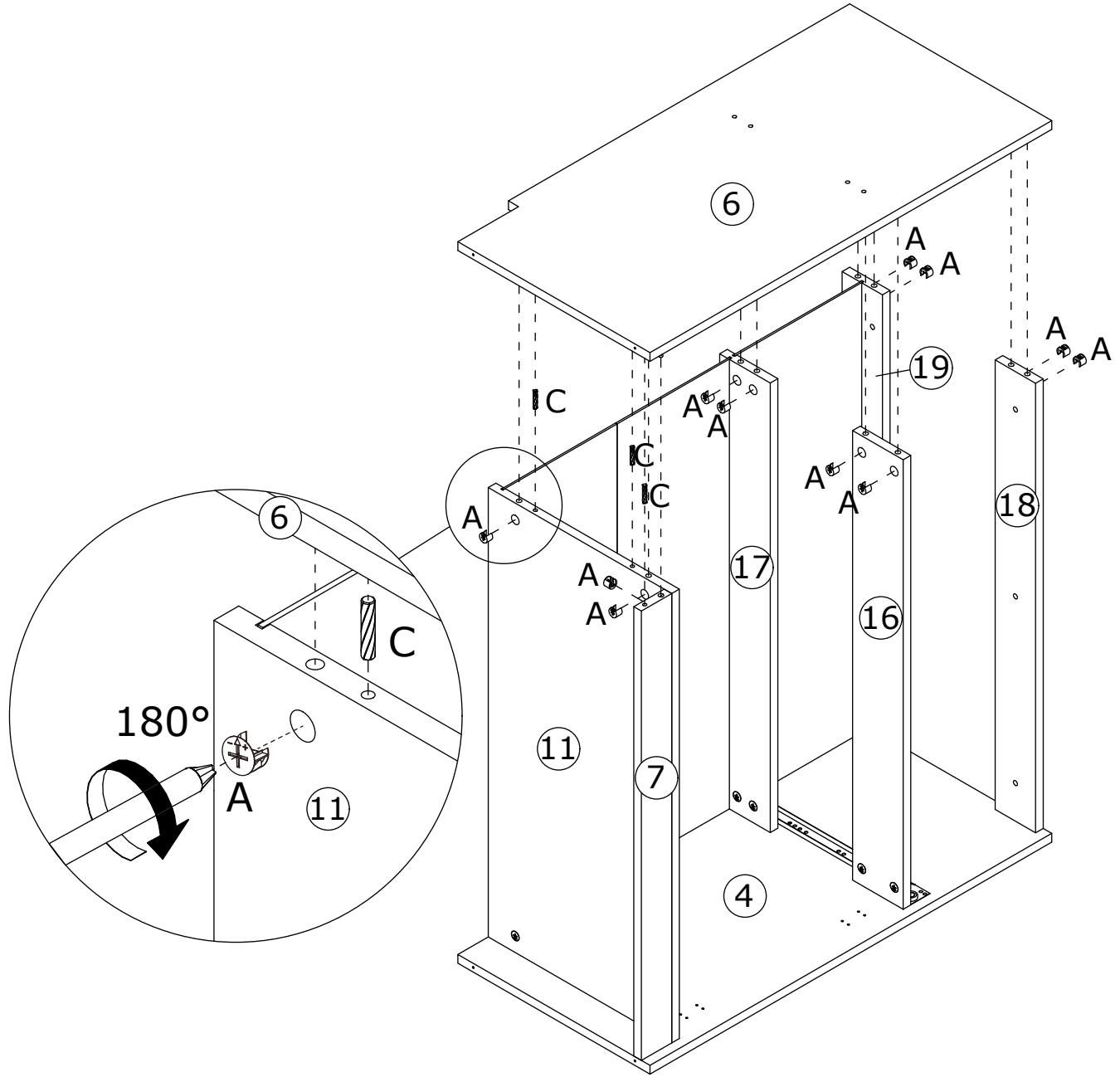
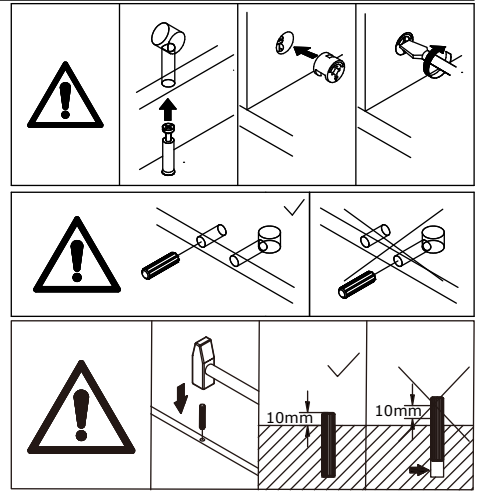
As shown in the figure, insert Panel 23 and 24 along the available slots.



19



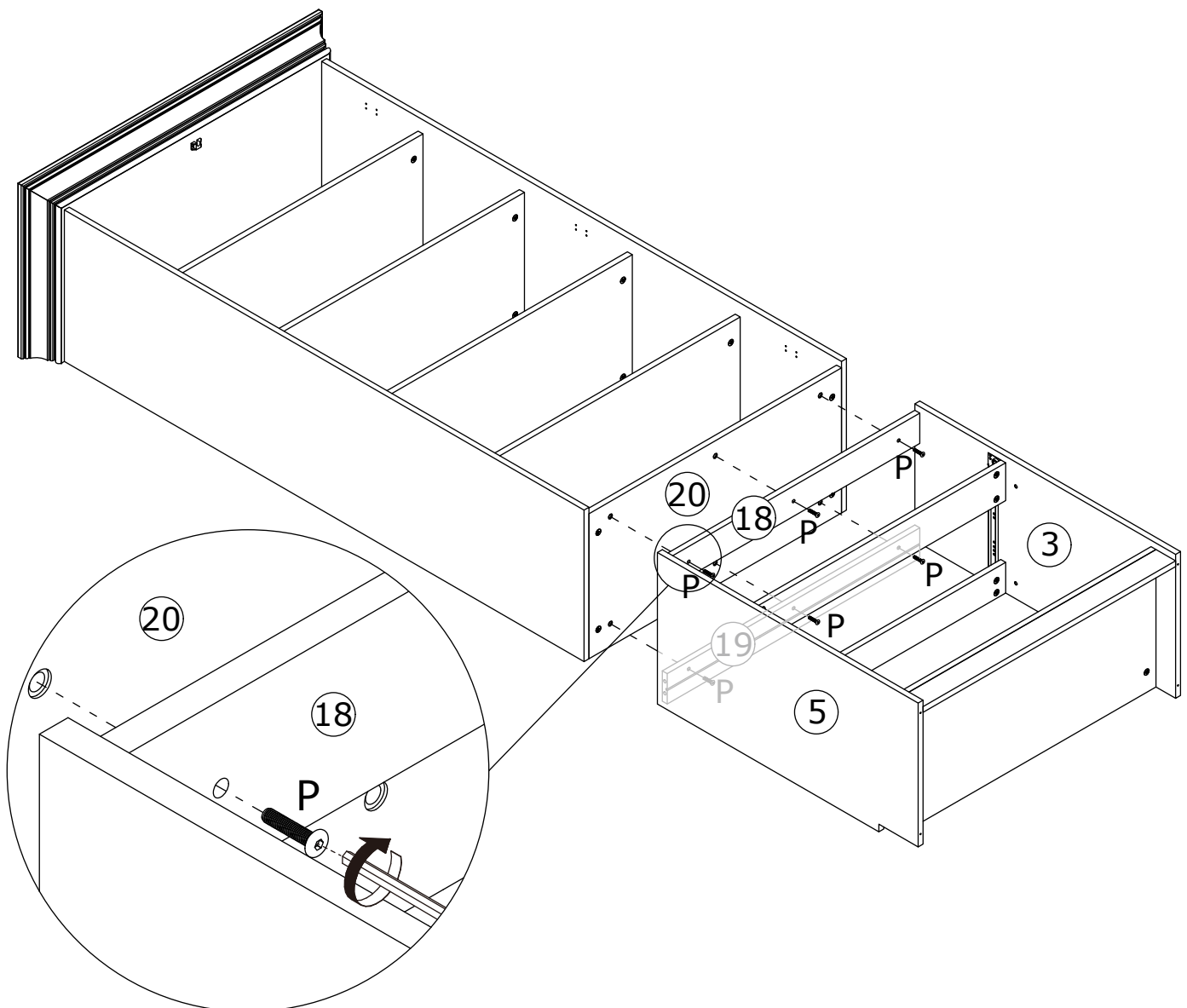
As shown in the figure, use the wooden dowel (C) to connect Panel 6 to the assembled unit, and then insert the eccentric wheel (A) and tighten it by rotating it clockwise.



20

<p>P x 6</p>  <p>CRG0625A</p>	<p>W x 1</p>  <p>M4</p>	
--	--	--

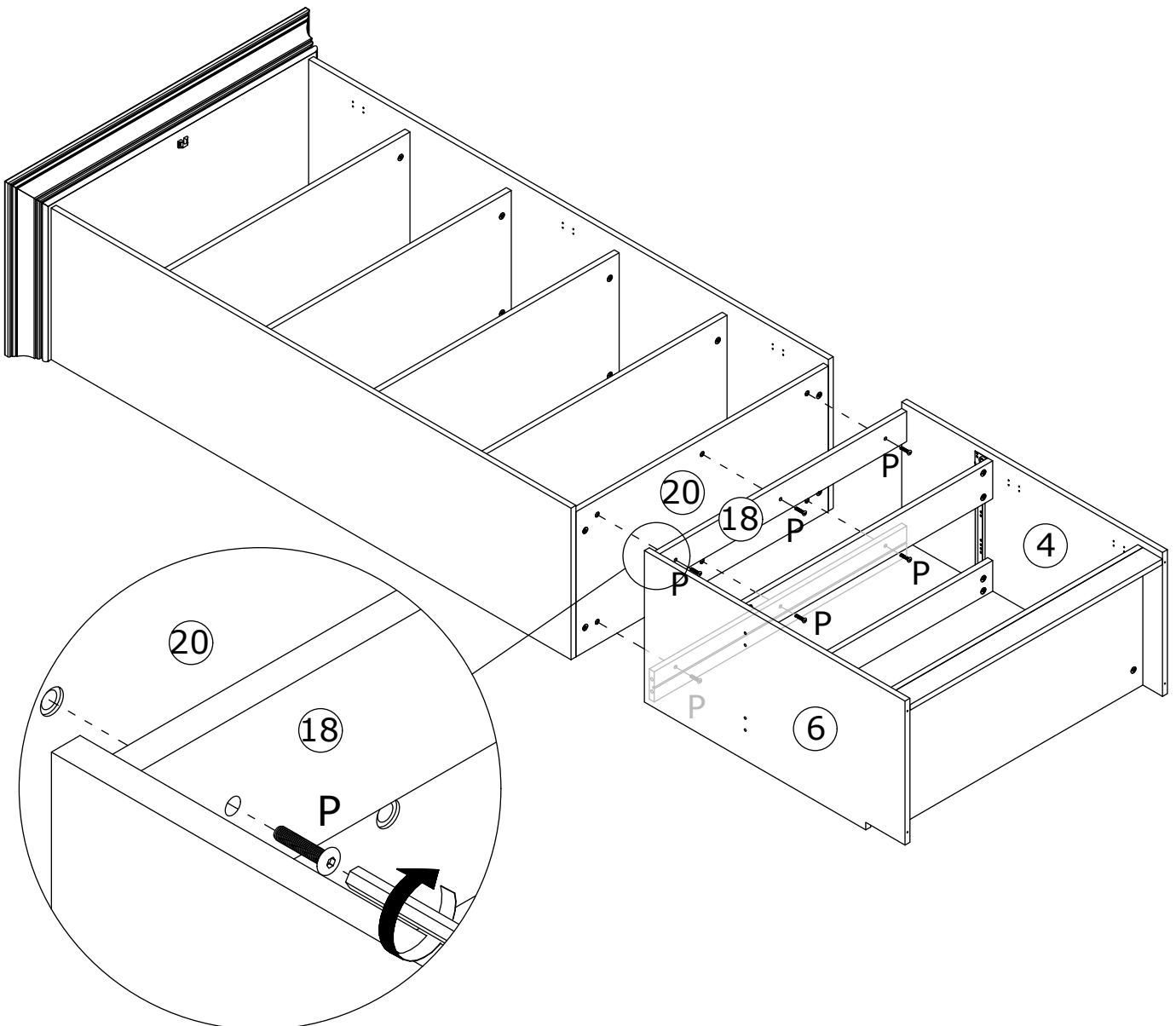
As shown in the figure, use the screw (P) to connect Panel 18 and 19 to Panel 20.



21


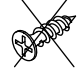


<p>P x 6</p>  <p>CRG0625A</p>	<p>W x 1</p>  <p>M4</p>	
--	--	--

As shown in the figure, use the screws (P) to attach Panel 18 and 19 to Panel 20.

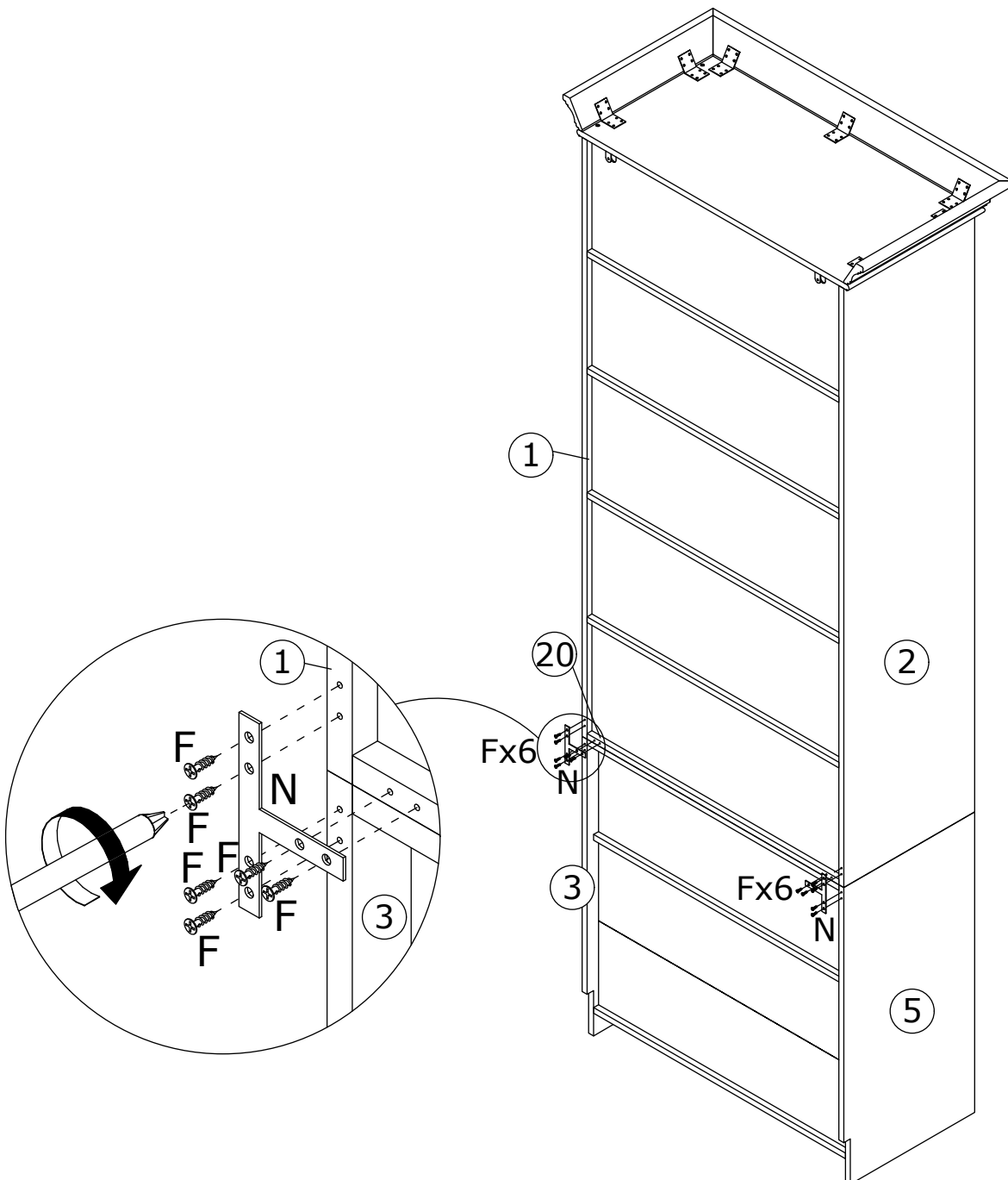


22

F x 12  CRD3514A	N x 2 	
---	--	---


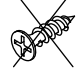


	E 	F 	U 
	CRD3512A	CRD3514A	CRD0314A

As shown in the figure, use the screw (F) to fix the component (N) to the assembled unit.

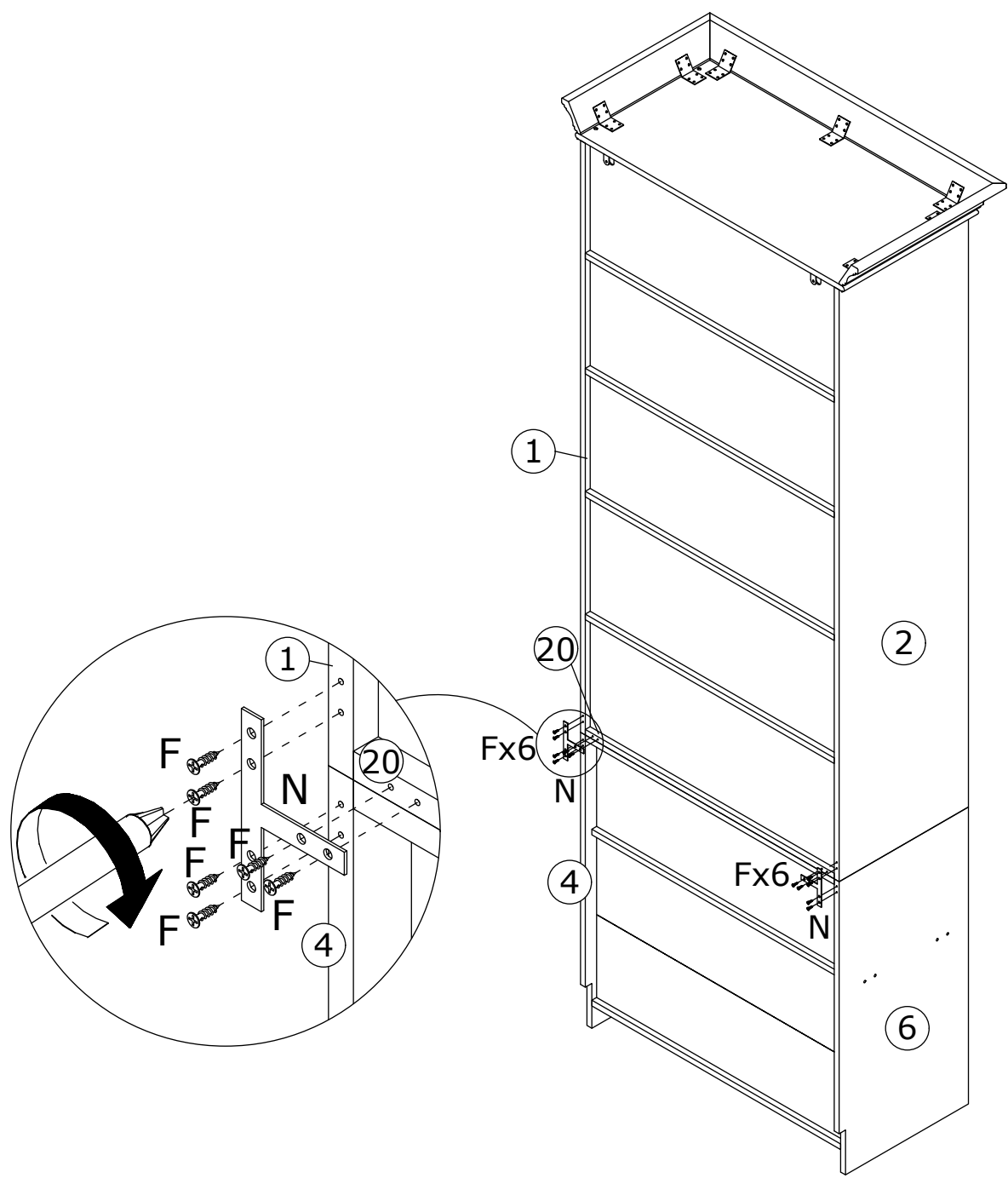


23

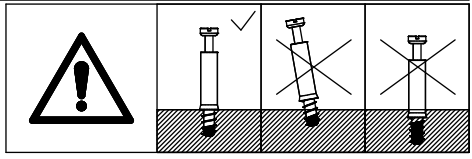
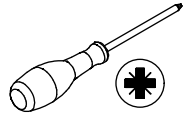
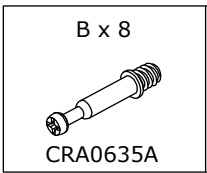
F x 12  CRD3514A	N x 2 	
---	--	---

	E  CRD3512A	F  CRD3514A	U  CRD0314A
--	---	--	---

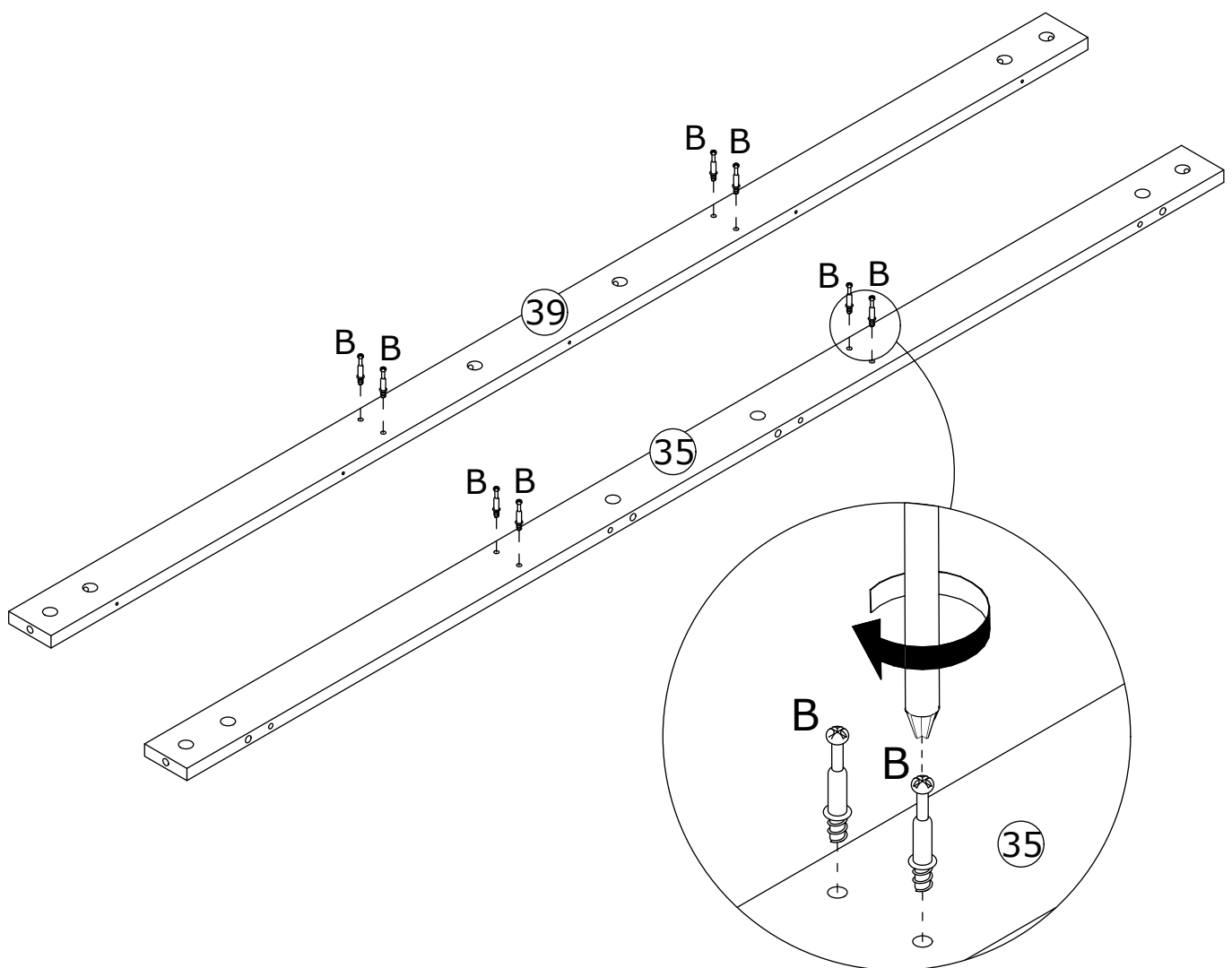
As shown in the figure, fix the component (N) to the assembled unit with the screw (F).



24

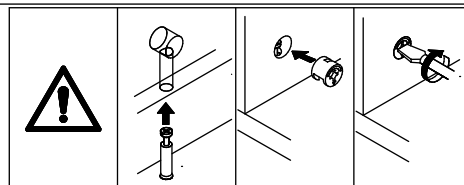
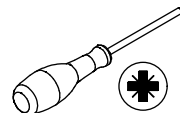


As shown in the figure, screw the self-tapping rod (B) into Panel 35 and 39.

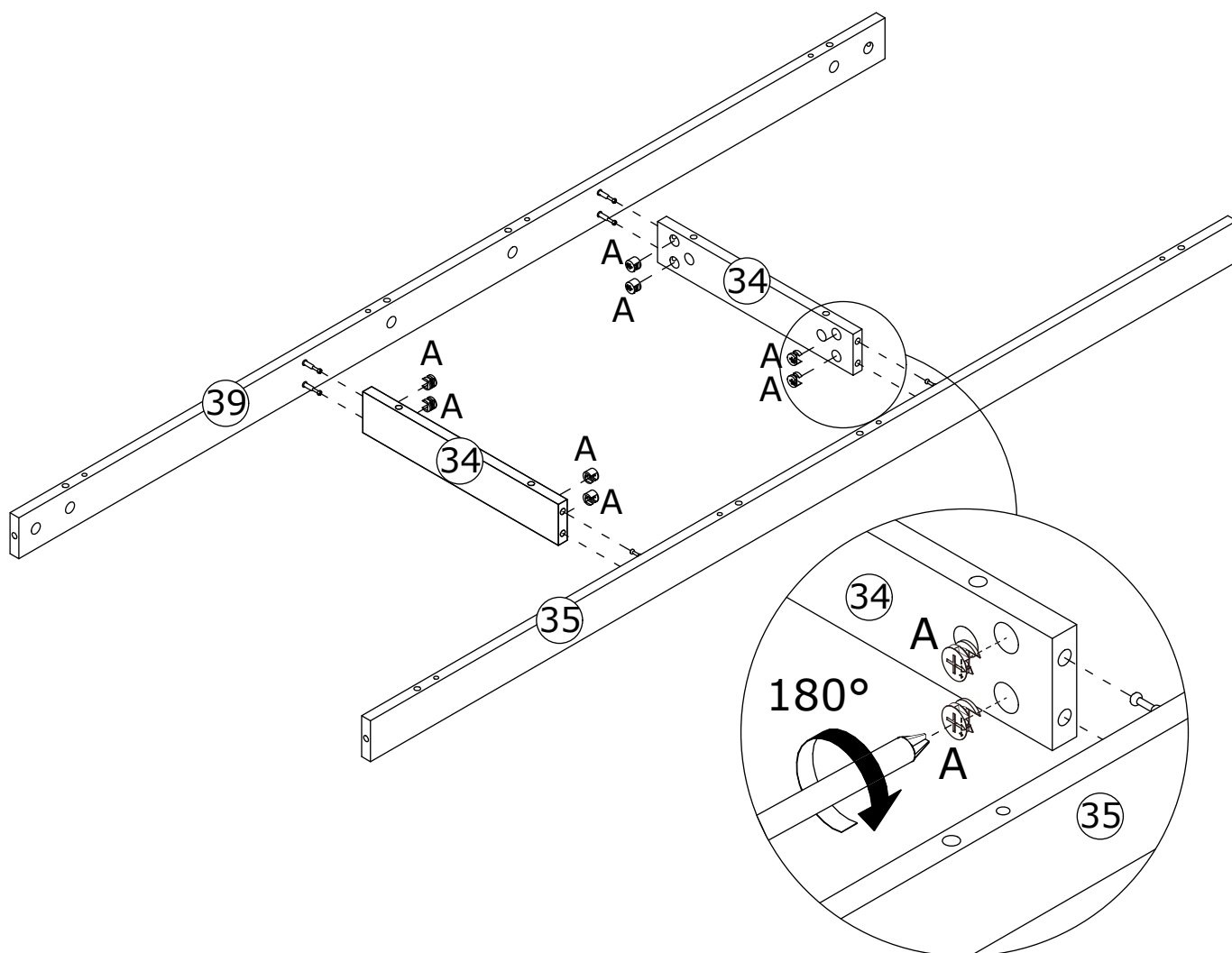


25

A x 8
CRB1595A

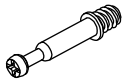


As shown in the figure, connect Panel 35 and 39 to Panel 34, and then insert the eccentric wheel (A) and tighten it by rotating it clockwise.

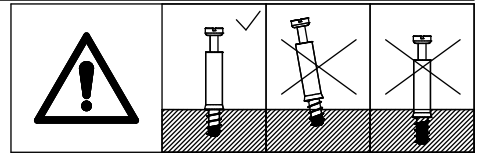
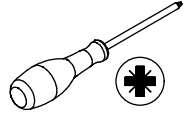


26

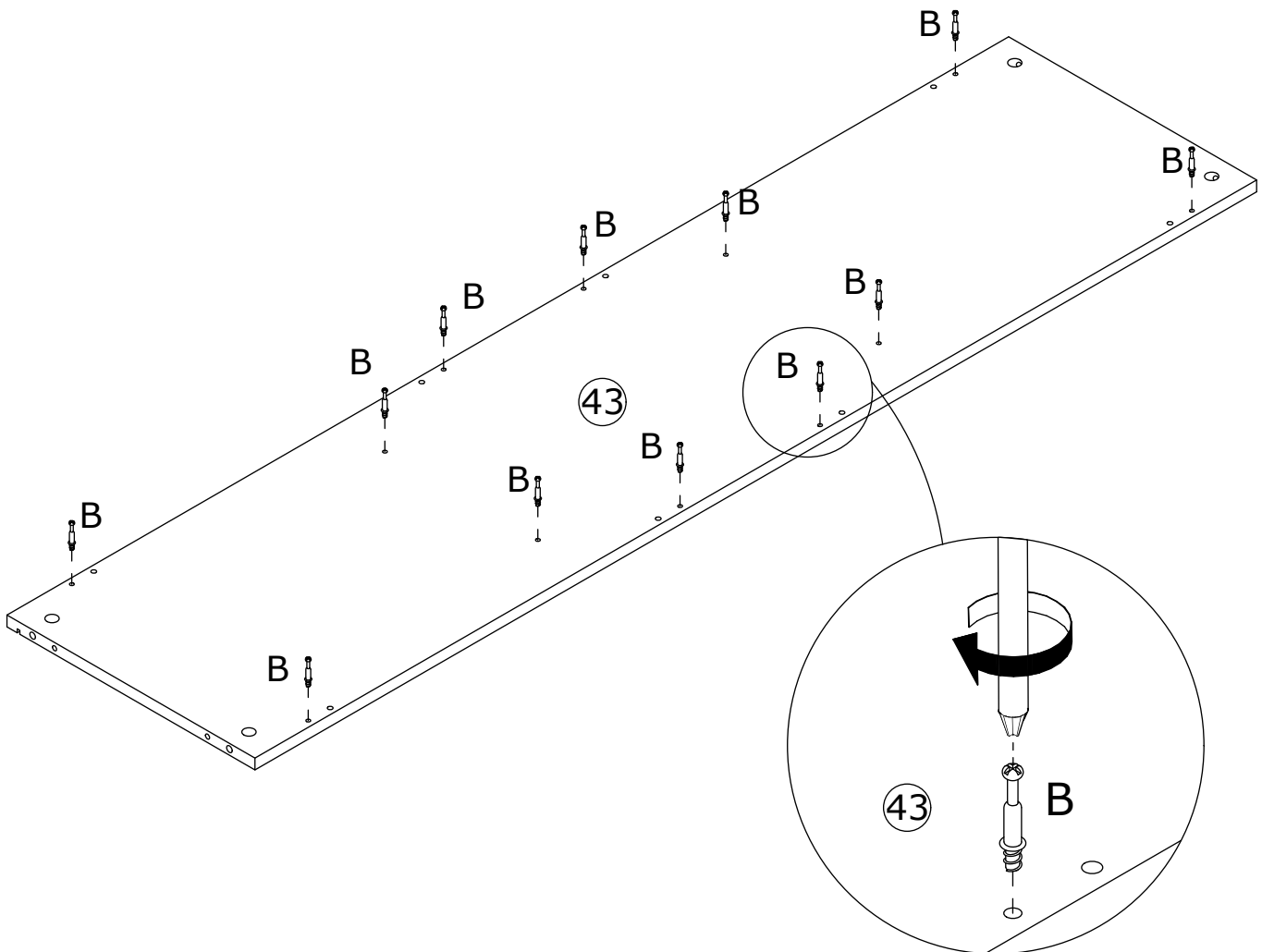
B x 12



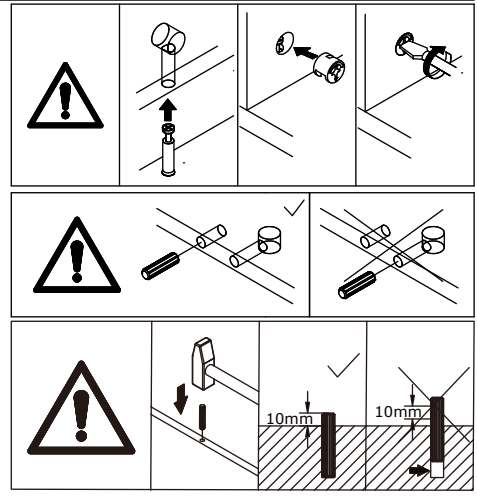
CRA0635A



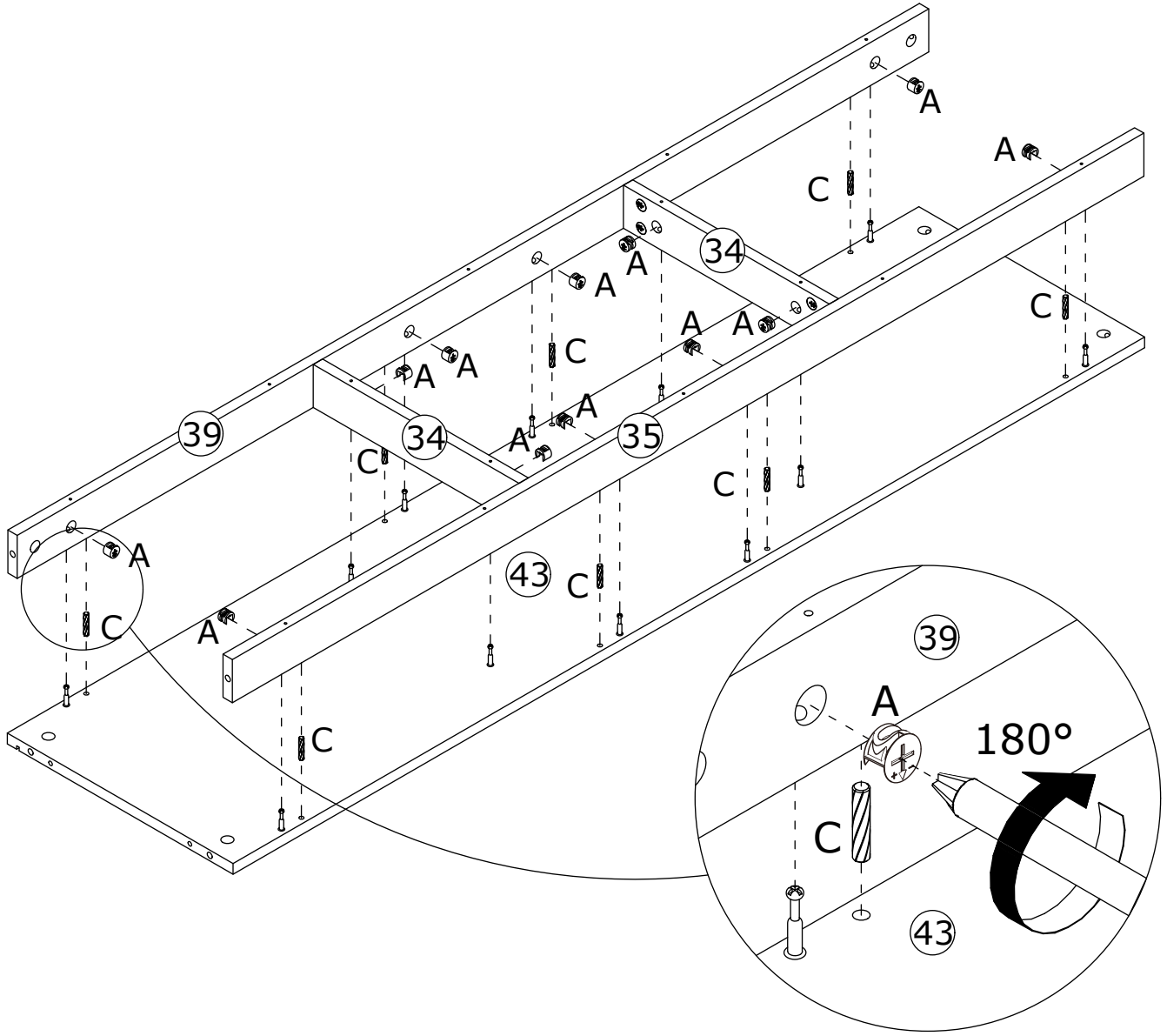
As shown in the figure, screw the self-tapping rod (B) into Panel 43.



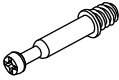
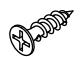
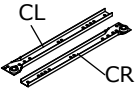
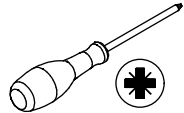
27



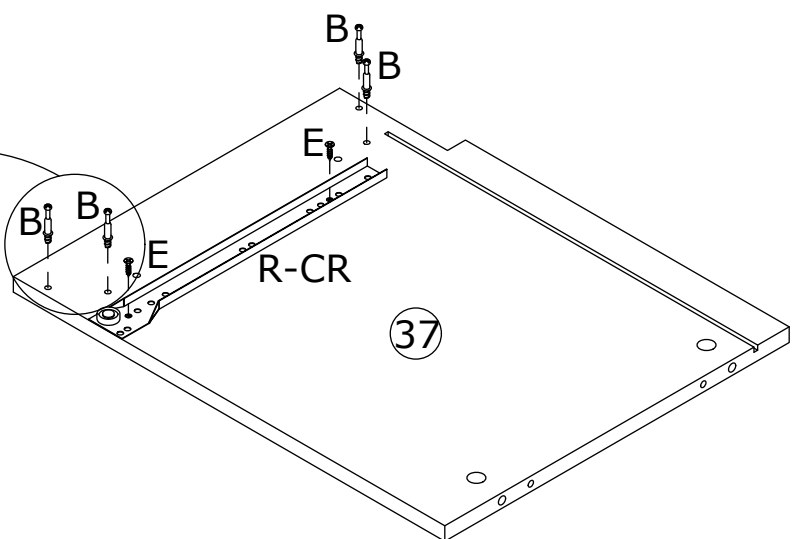
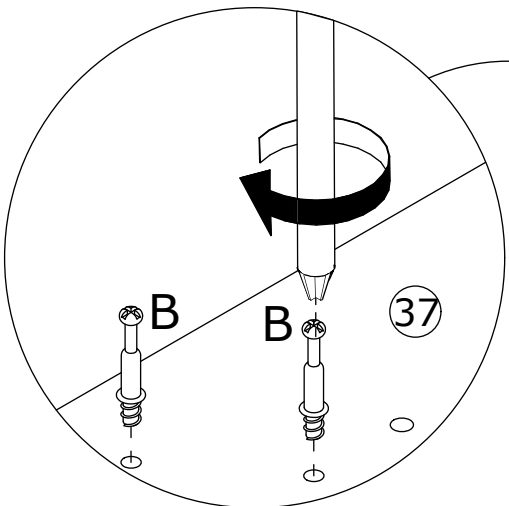
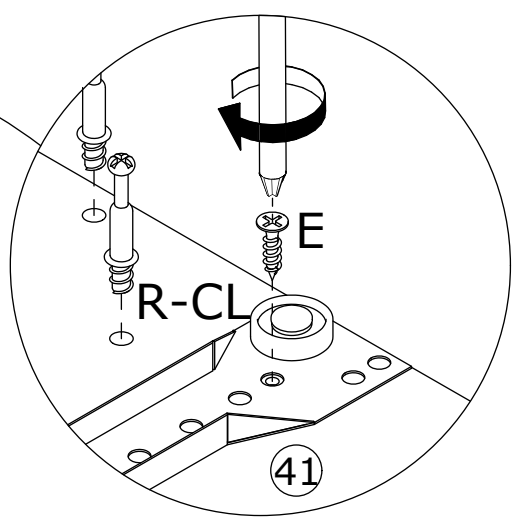
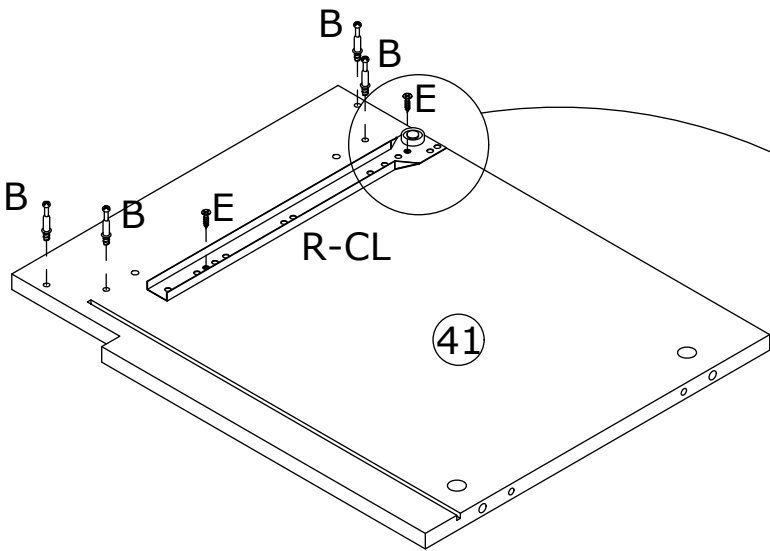
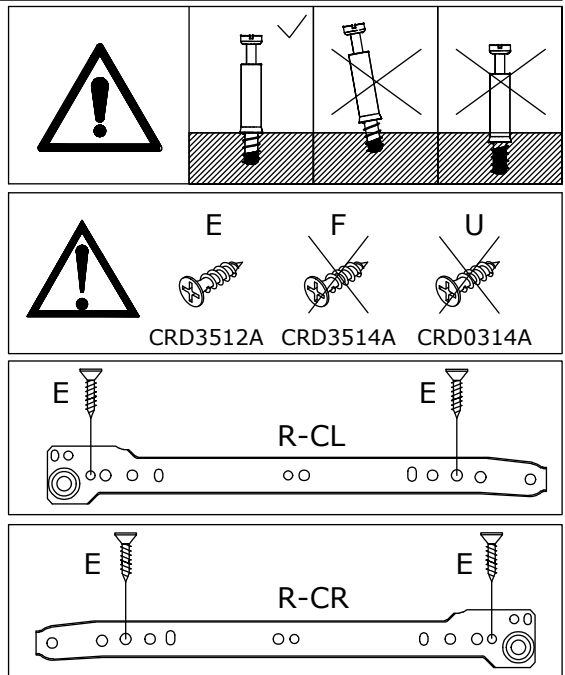
As shown in the figure, use the wooden dowel (C) to connect the assembled unit to Panel 43, and then insert the eccentric wheel (A) and tighten it by rotating it clockwise.



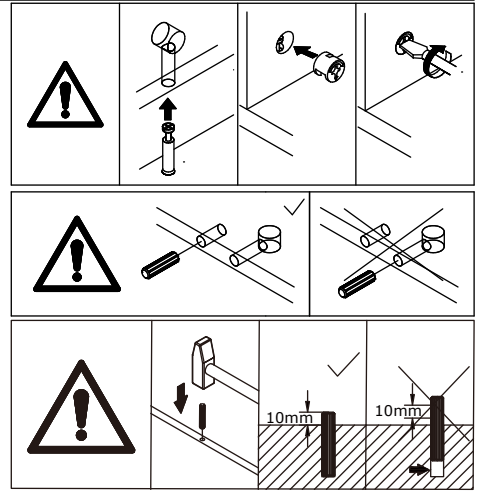
28

<p>B x 8 CRA0635A</p> 	<p>E x 4 CRD3512A</p> 	<p>R x 1 CL CR WX1012A</p> 	
---	---	--	---

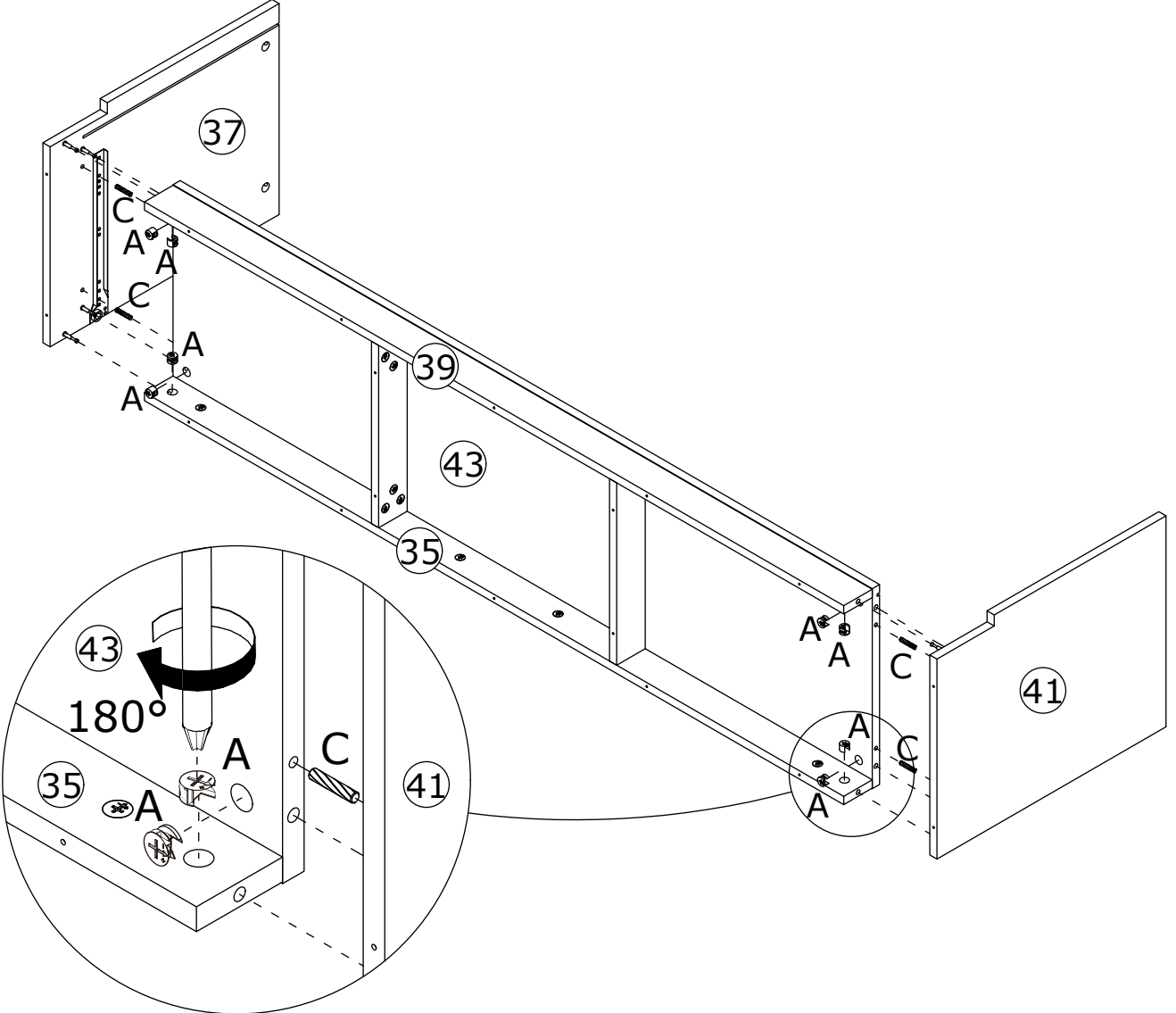
As shown in the figure, screw the self-tapping rod (B) into Panel 37 and Panel 41.
Install the sliding rail R (R-CL) onto Panel 41 using the screw (E).
Install the sliding rail R (R-CR) onto Panel 37 using the screw (E).



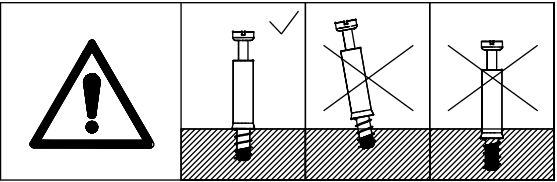
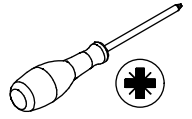
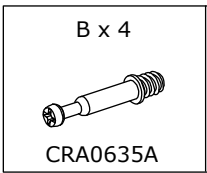
29



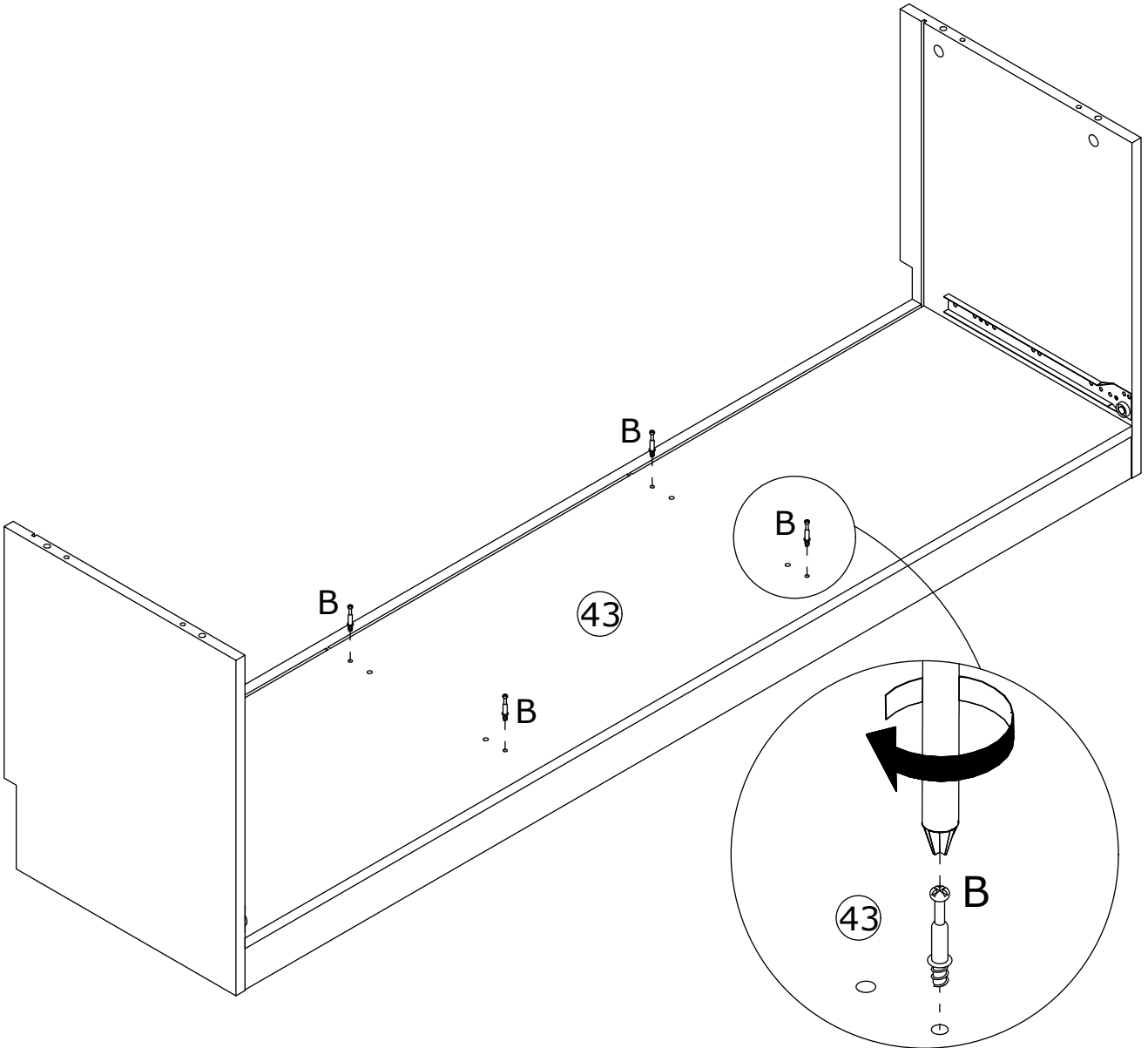
As shown in the figure, use the wooden dowels (C) to connect Panel 37 and 41 to the assembled unit, and then insert the eccentric wheel (A) and tighten it by rotating it clockwise.



30



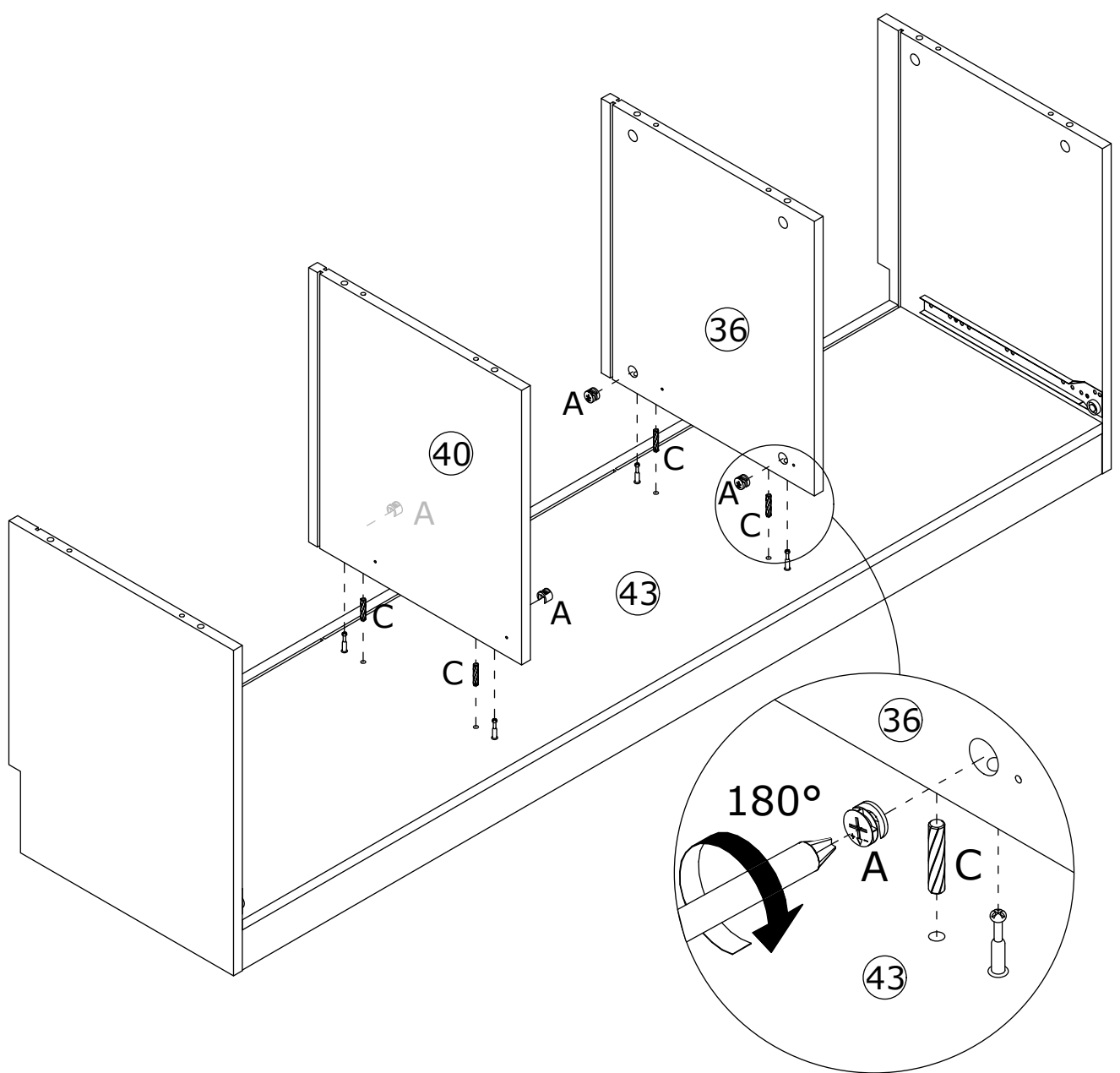
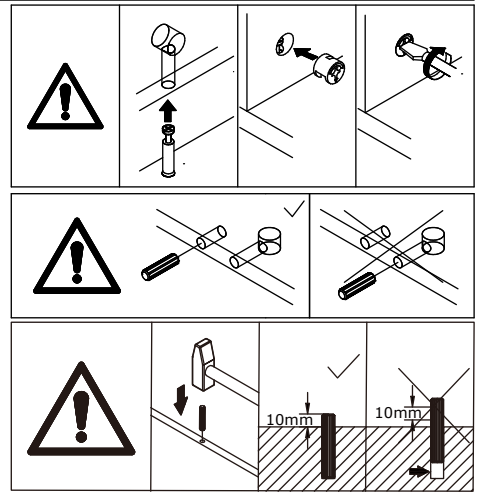
As shown in the figure, screw the self-tapping rod (B) into Panel 43.



31

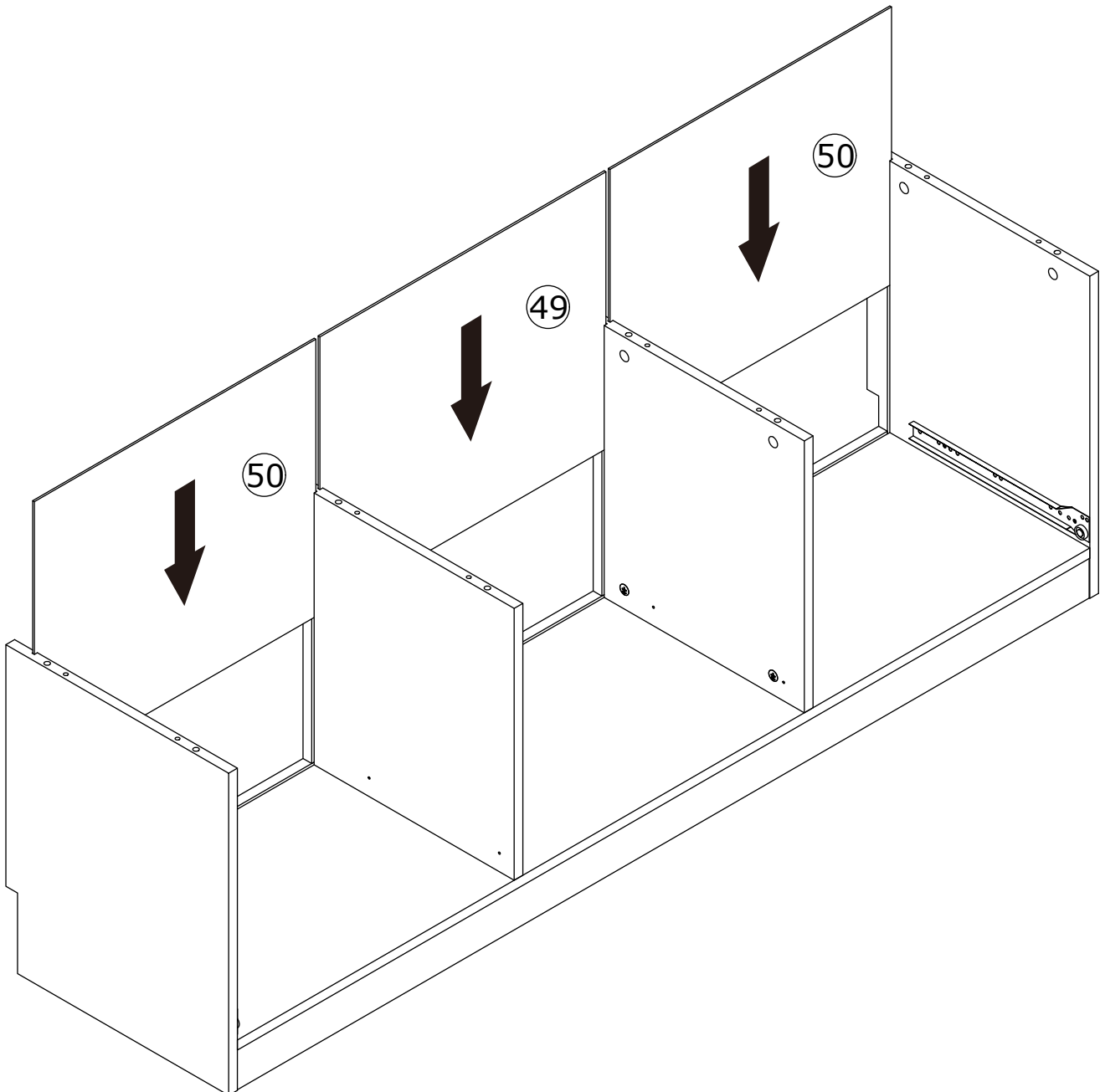


As shown in the figure, use the wooden dowels (C) to connect Panel 36 and 40 to Panel 43, and then insert the eccentric wheel (A) and tighten it by rotating it clockwise.

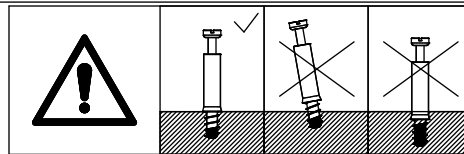
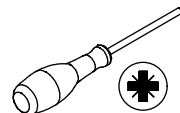
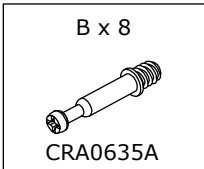


32

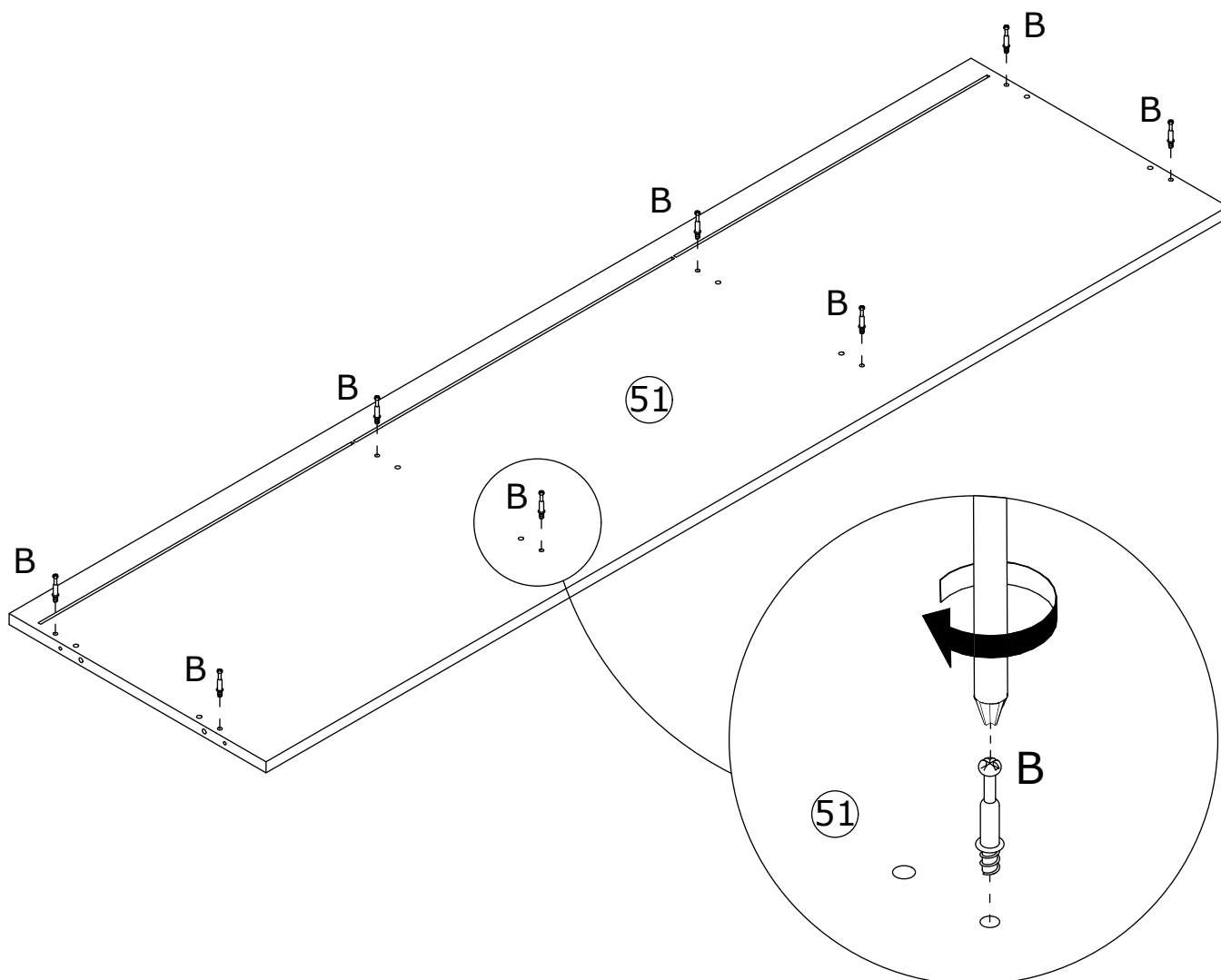
As shown in the figure, insert Panel 49 and 50 along the available slots.



33



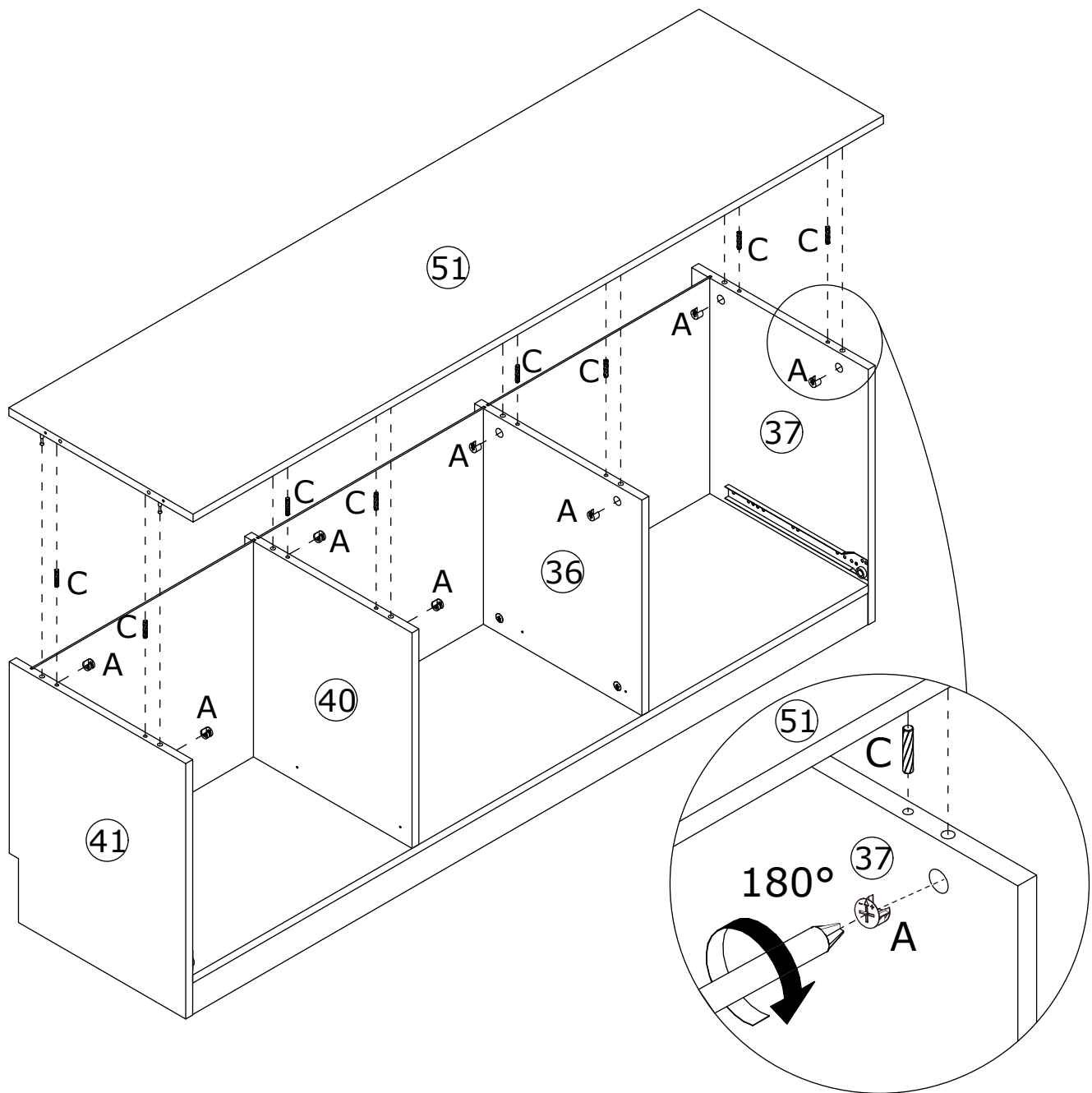
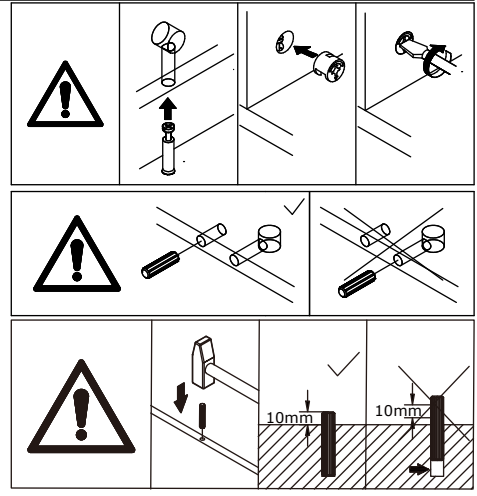
As shown in the figure, screw the self-tapping rod (B) into Panel 51.



34







As shown in the figure, use the wooden dowel (C) to connect Panel 51 to the assembled unit, and then insert the eccentric wheel (A) and tighten it by rotating it clockwise.

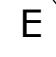
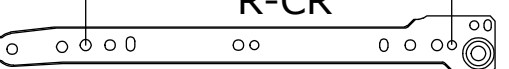



35

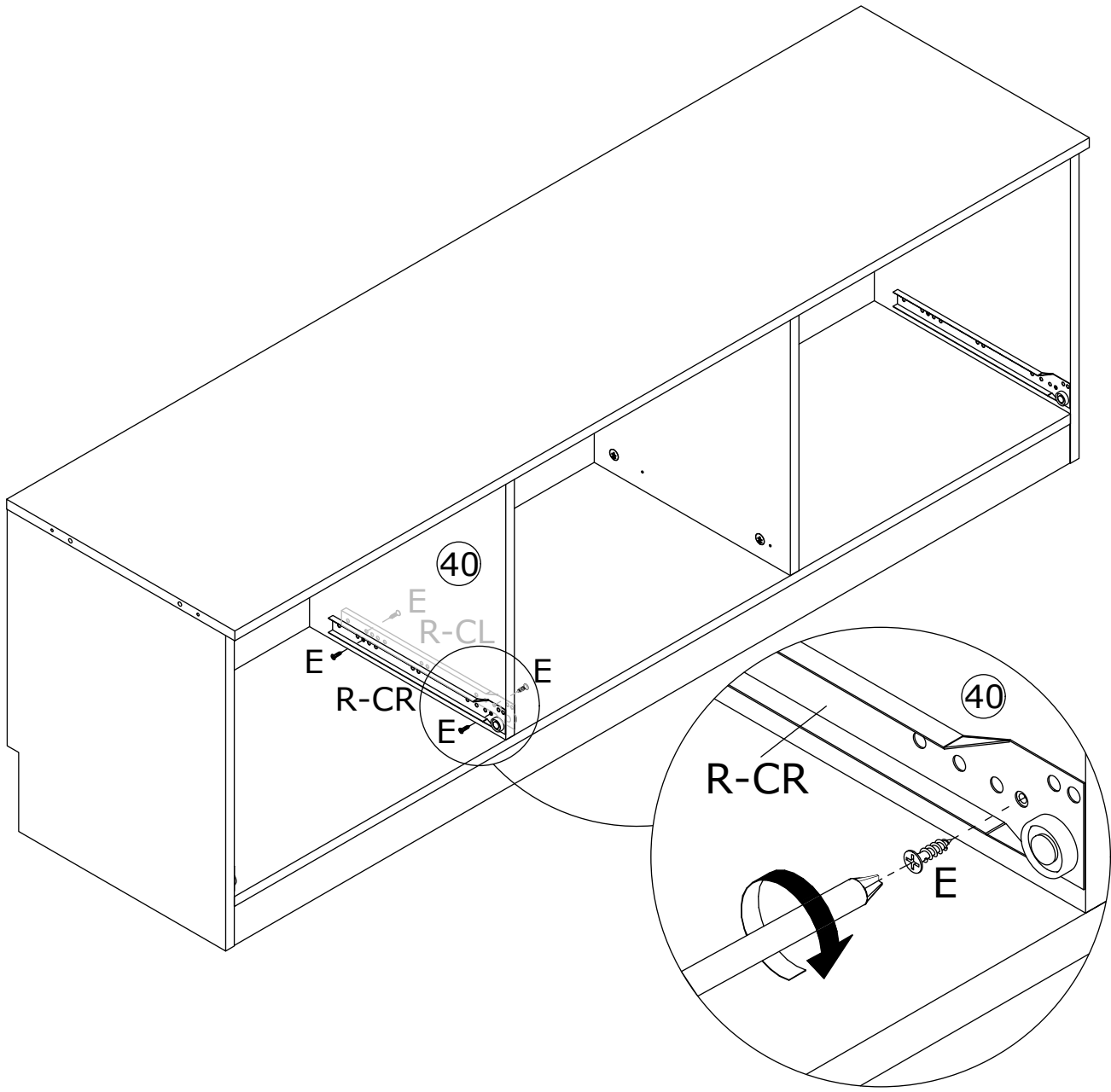
<p>E x 4</p>  <p>CRD3512A</p>	<p>R x 1</p> <p>CL</p>  <p>CR</p> <p>WX1012A</p>	
--	---	---

	<p>E</p> 	<p>F</p> 	<p>U</p> 
	CRD3512A	CRD3514A	CRD0314A

<p>E</p> 	<p>R-CL</p> 	<p>E</p> 
--	--	--





<p>E</p> 	<p>R-CR</p> 	<p>E</p> 
--	--	--

As shown in the figure, use the screws (E) to install the sliding rail R (R-CL) and the sliding rail R (R-CR) onto Panel 40.

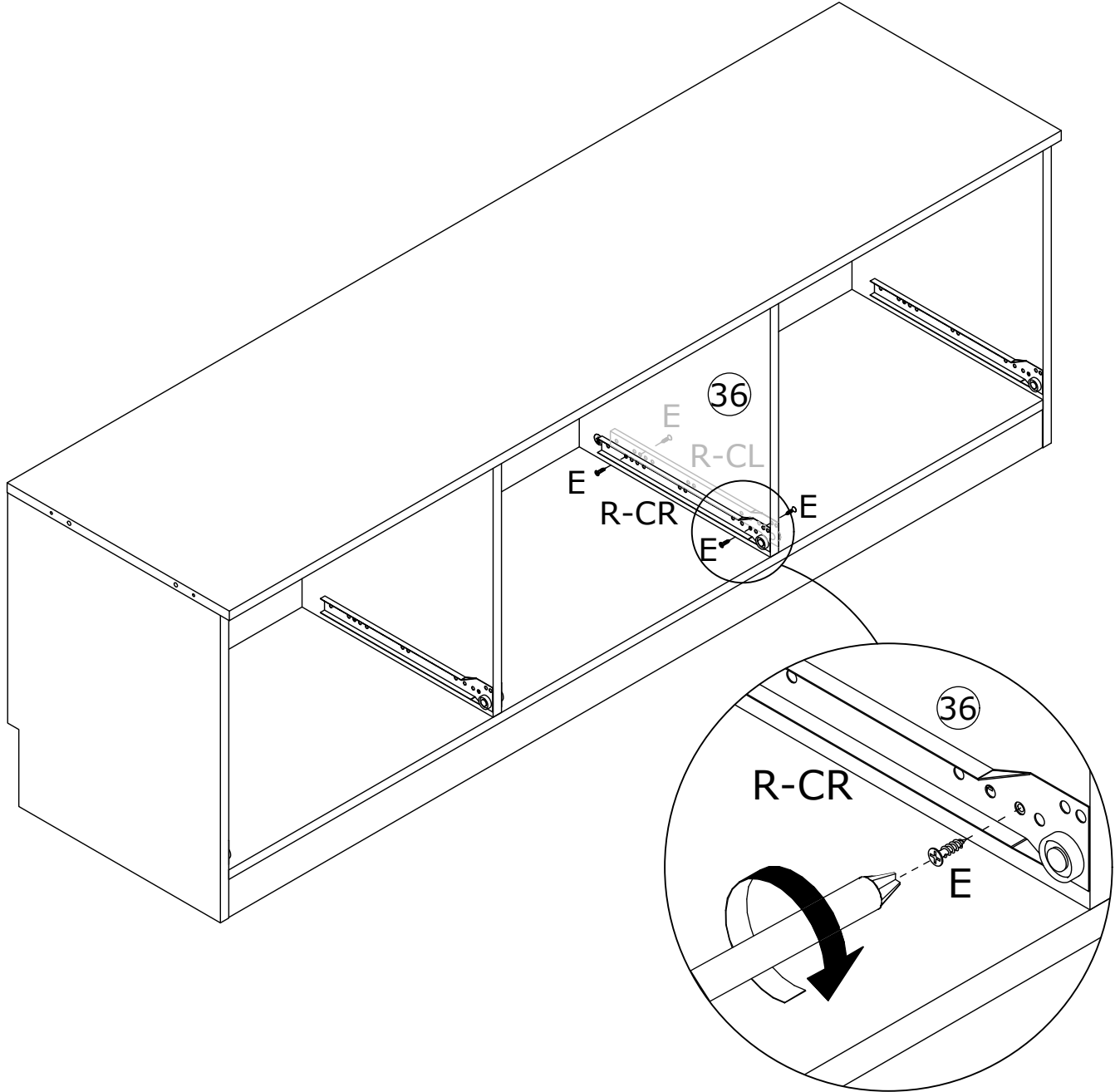
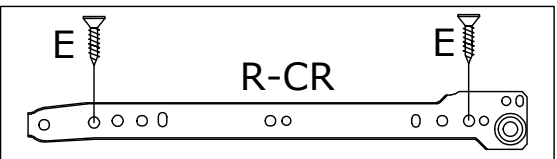
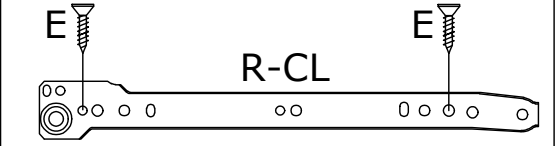


36

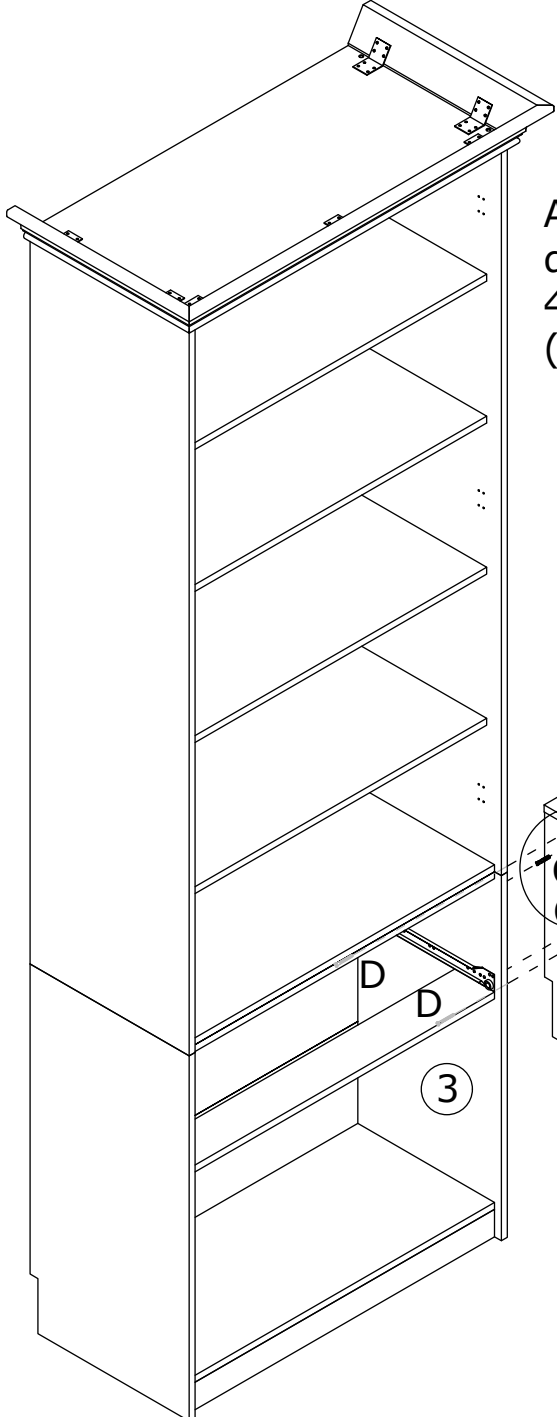
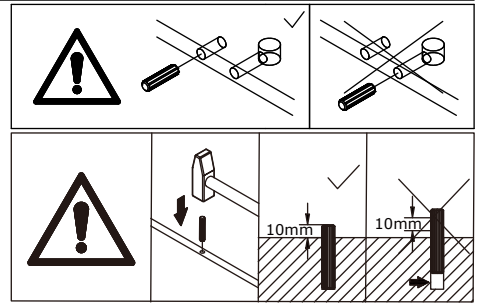
<p>E x 4</p>  <p>CRD3512A</p>	<p>R x 1</p> <p>CL</p>  <p>CR</p> <p>WX1012A</p>	
--	---	---

	<p>E</p>  <p>CRD3512A</p>	<p>F</p>  <p>CRD3514A</p>	<p>U</p>  <p>CRD0314A</p>
--	--	--	--

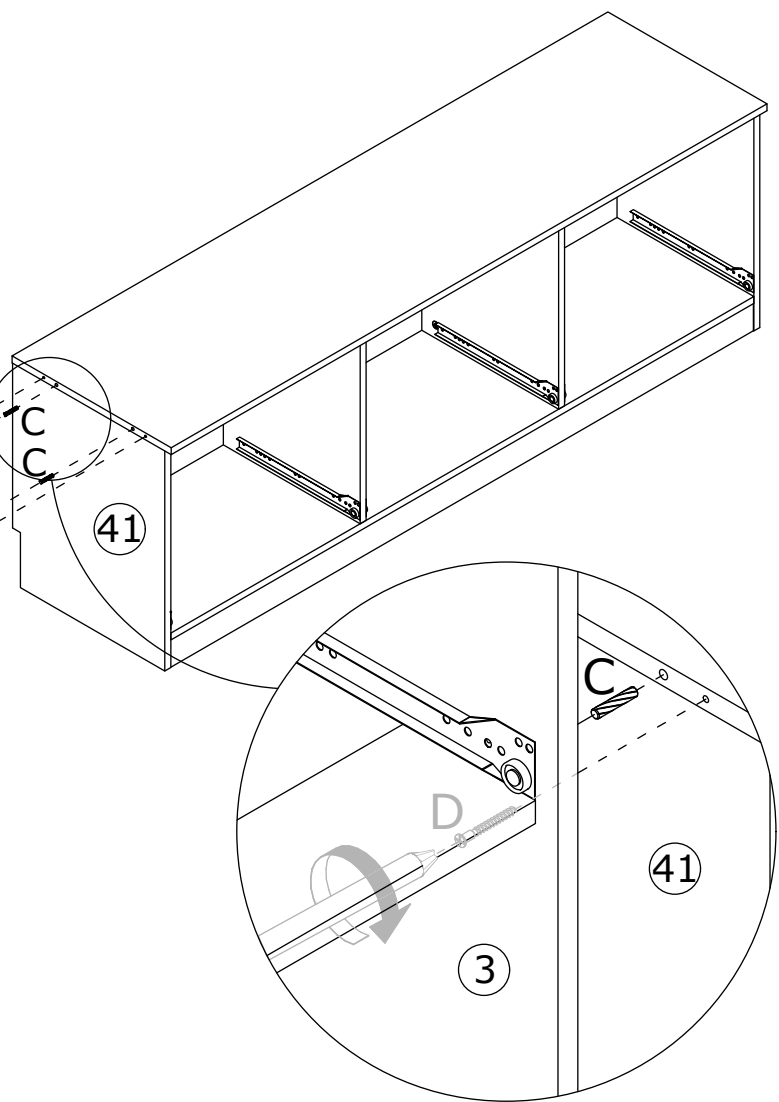
As shown in the figure, use the screws (E) to install the sliding rail R (R-CL) and the sliding rail R (R-CR) onto Panel 36.



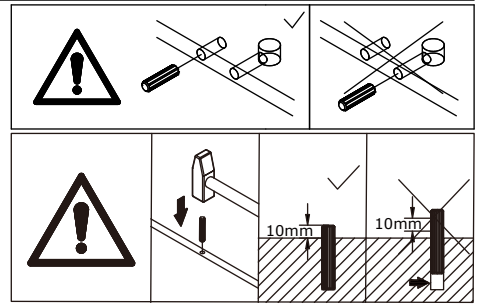
37



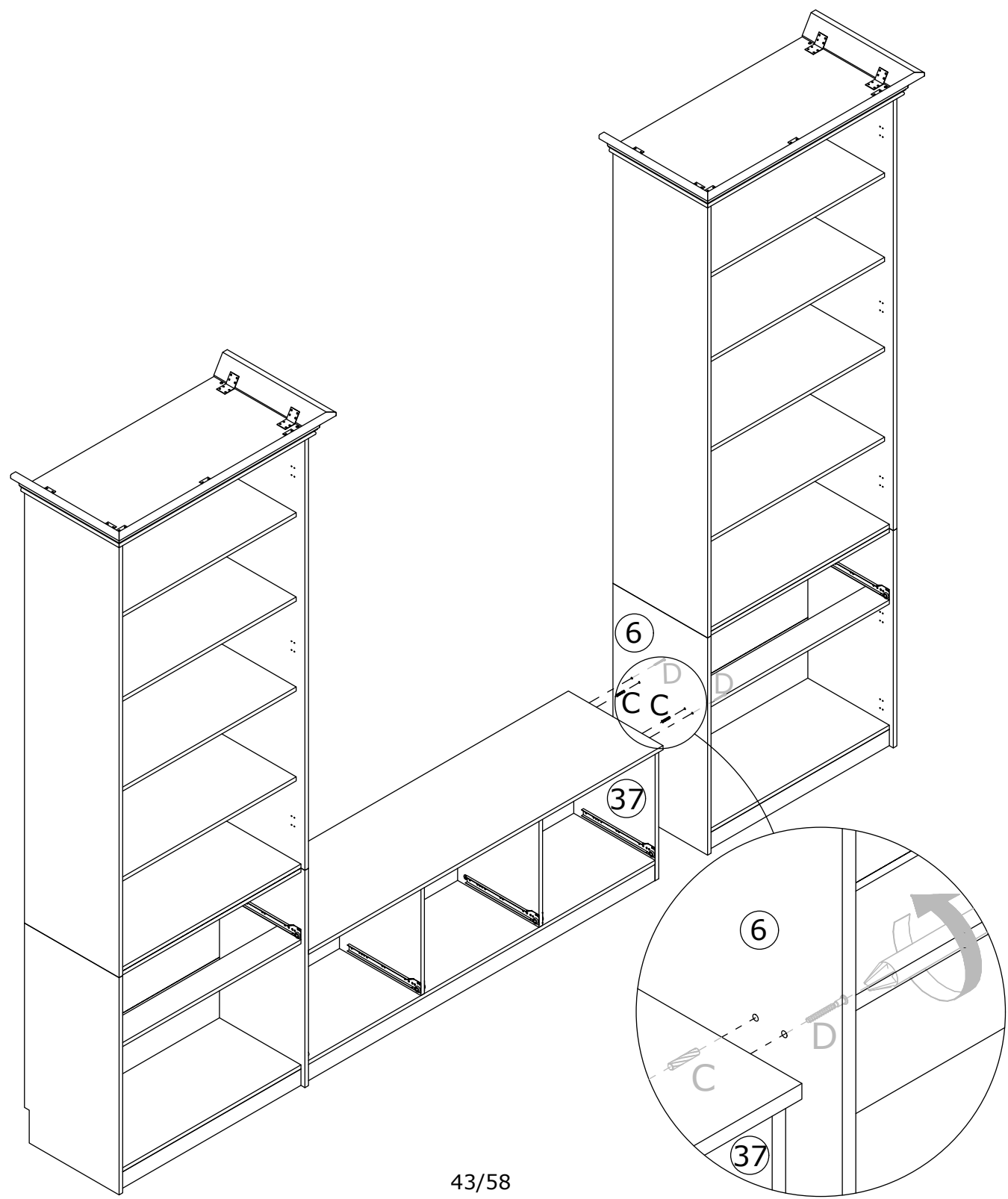
As shown in the figure, use the wooden dowel (C) to connect Panel 3 to Panel 41, and then fix them with the screw (D).



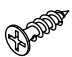



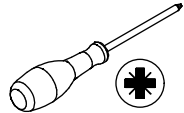
38

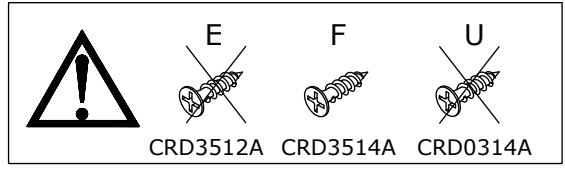


As shown in the figure, use the wooden dowel (C) to connect Panel 37 to Panel 6, and then fix them with the screw (D).

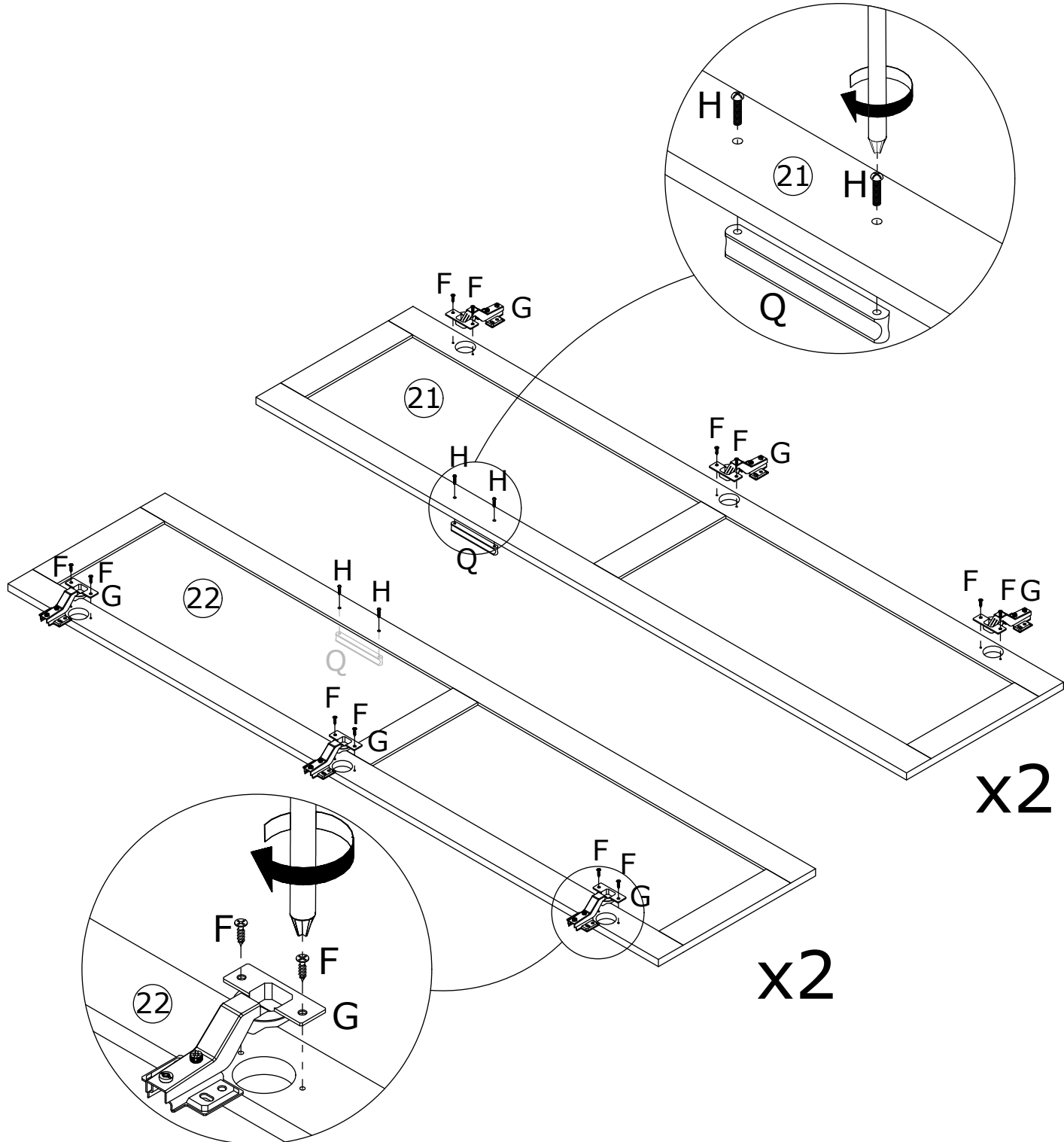


39

F x 24  CRD3514A	G x 12  DGA861C	H x 8  CRE0418A	Q x 4 	
---	--	--	---	---



As shown in the figure, use the screws (F) to install the hinge (G) onto Panel 21 and 22.
Use the screws (H) to install the handle (Q).

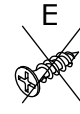
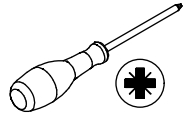


40

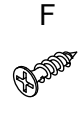
F x 48



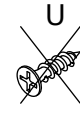
CRD3514A



CRD3512A

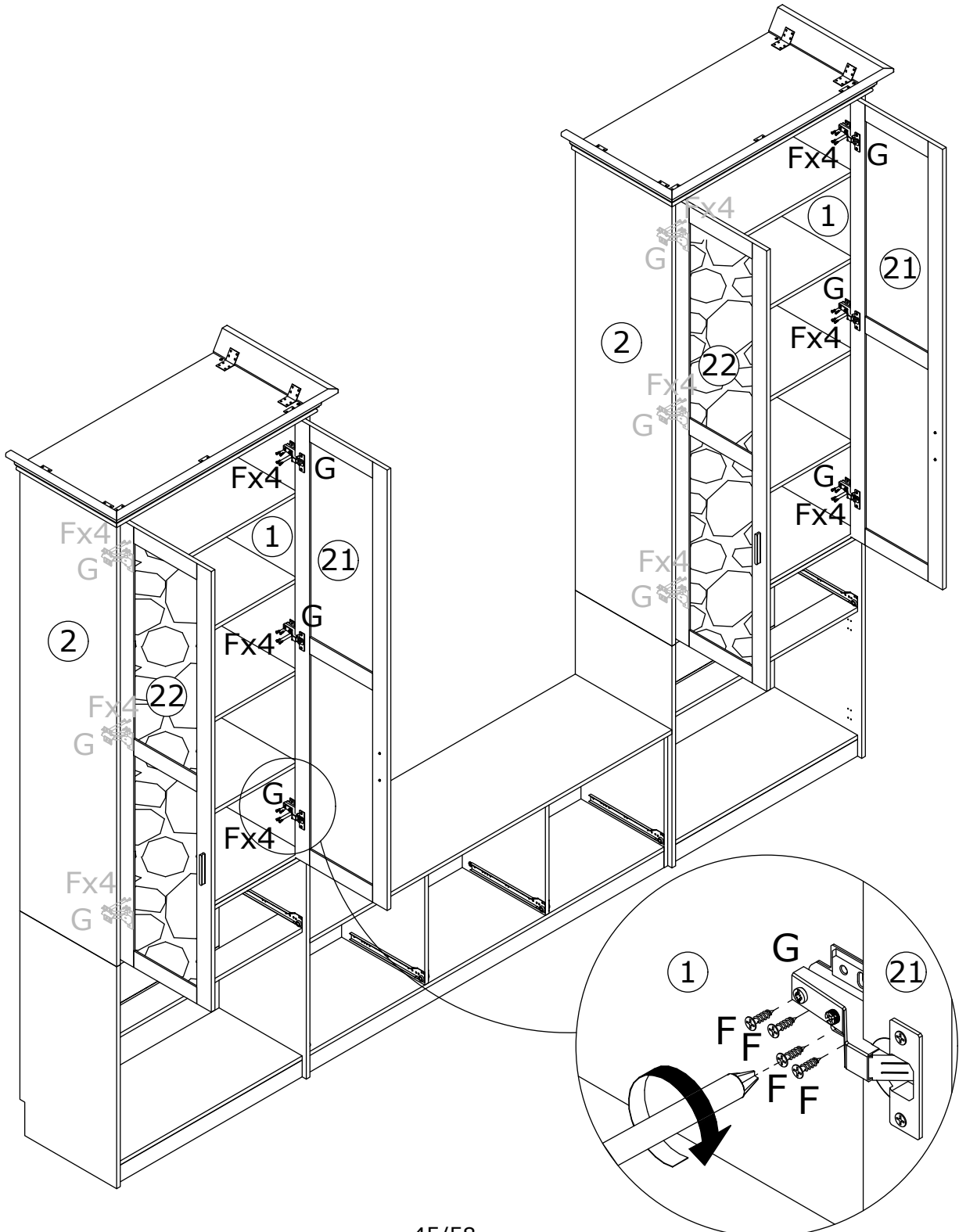


CRD3514A

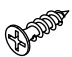



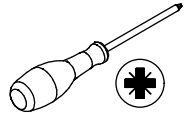



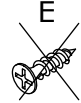

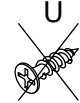
CRD0314A

As shown in the figure, use the screws (F) to install the hinge (G) onto Panel 1 and 2.

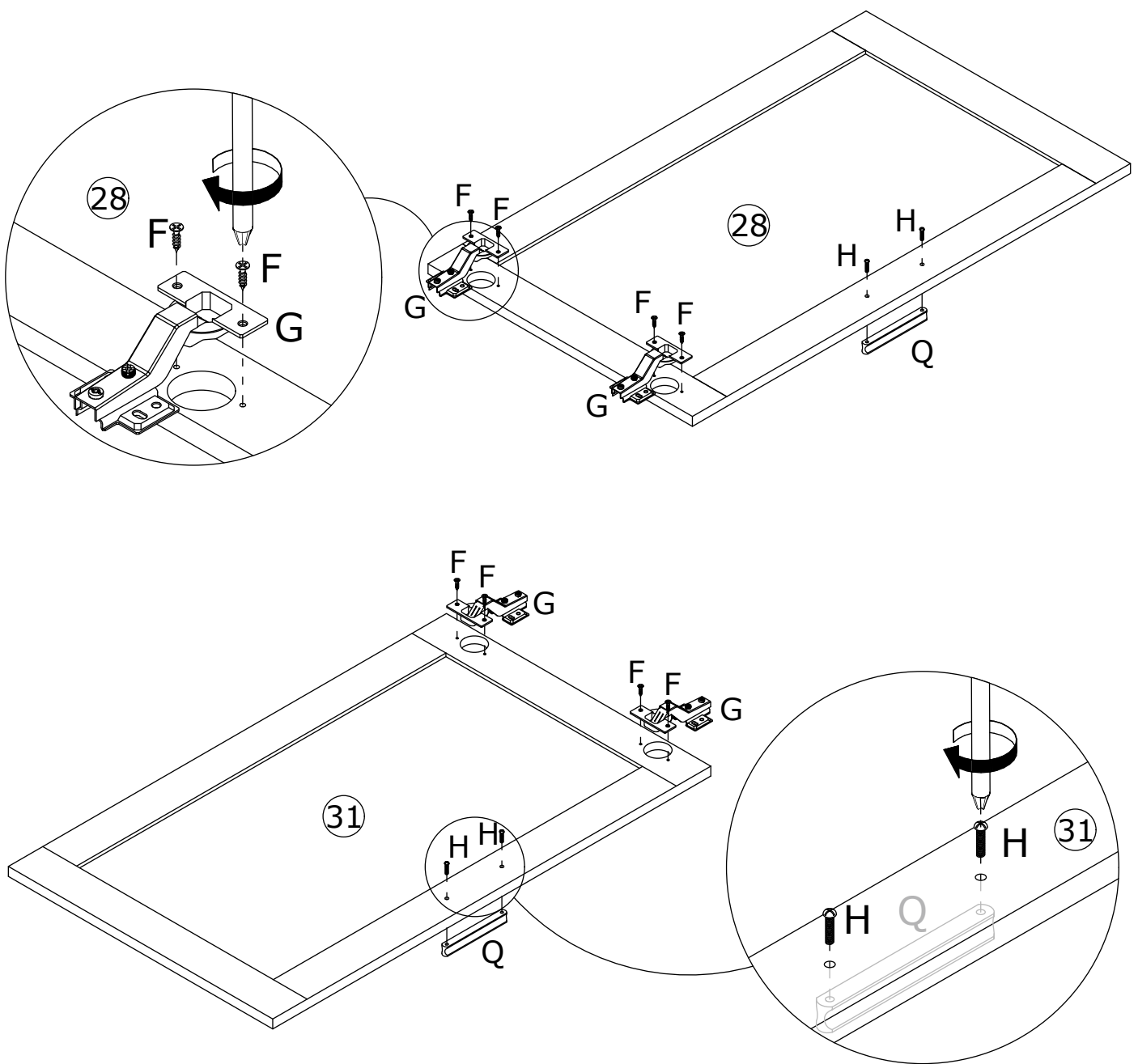


41

F x 8  CRD3514A	G x 4  DGA861C	H x 4  CRE0418A	Q x 2 	
--	---	--	---	---

   
CRD3512A CRD3514A CRD0314A

As shown in the figure, use the screws (F) to install the hinge (G) onto Panel 28 and 31.
Use the screws (H) to install the handle (Q).

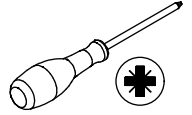


42

F x 16



CRD3514A



E



F



U

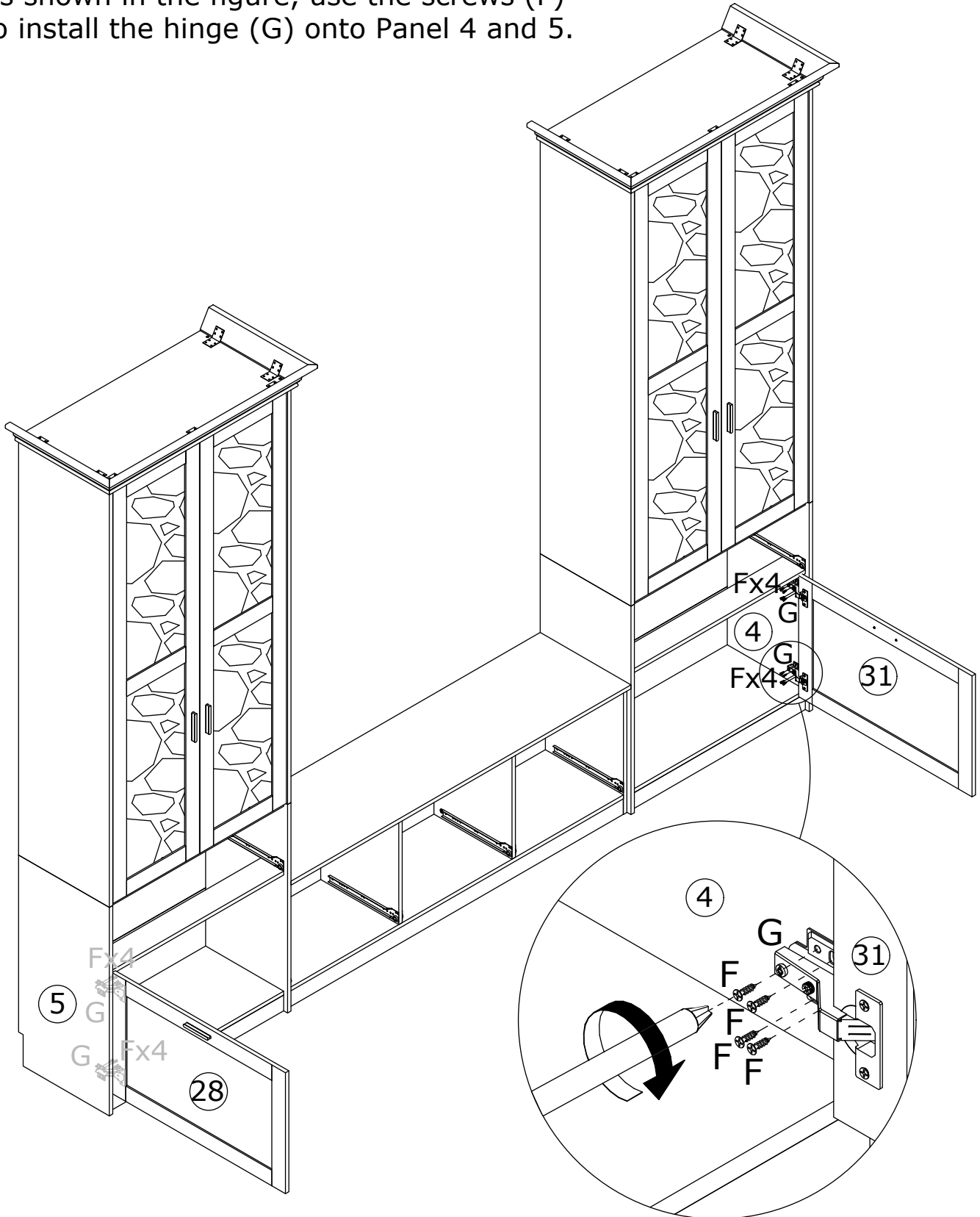


CRD3512A

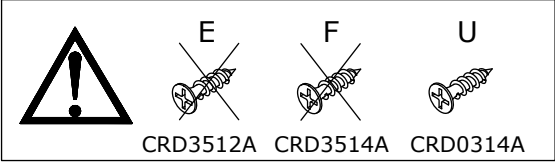
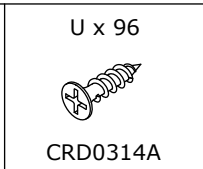
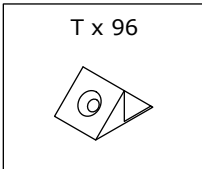
CRD3514A

CRD0314A

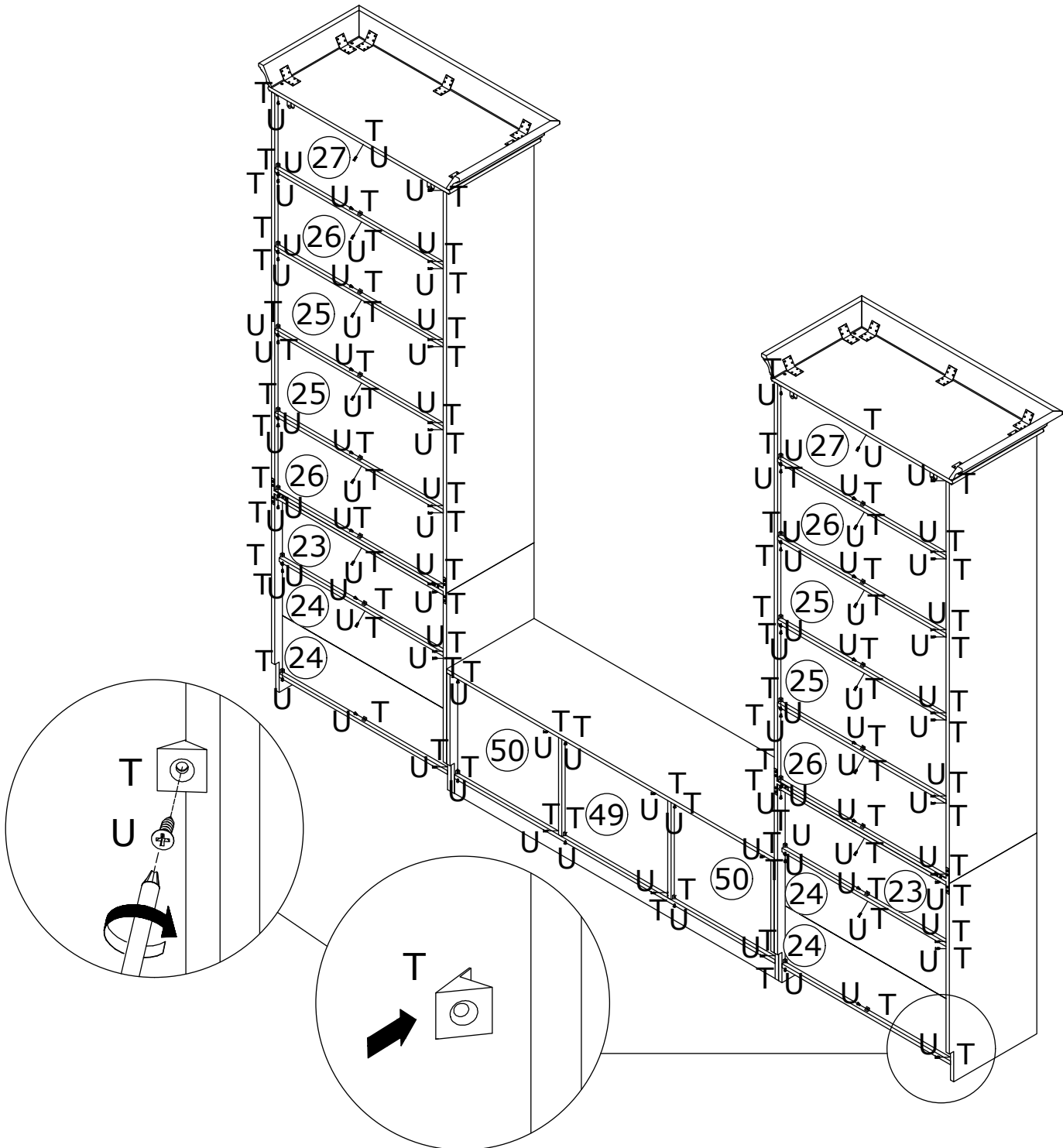
As shown in the figure, use the screws (F) to install the hinge (G) onto Panel 4 and 5.



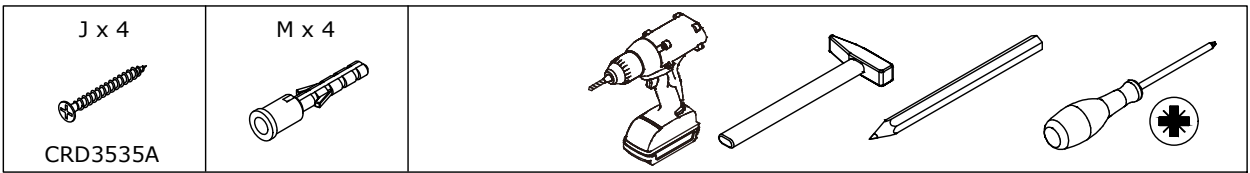
43



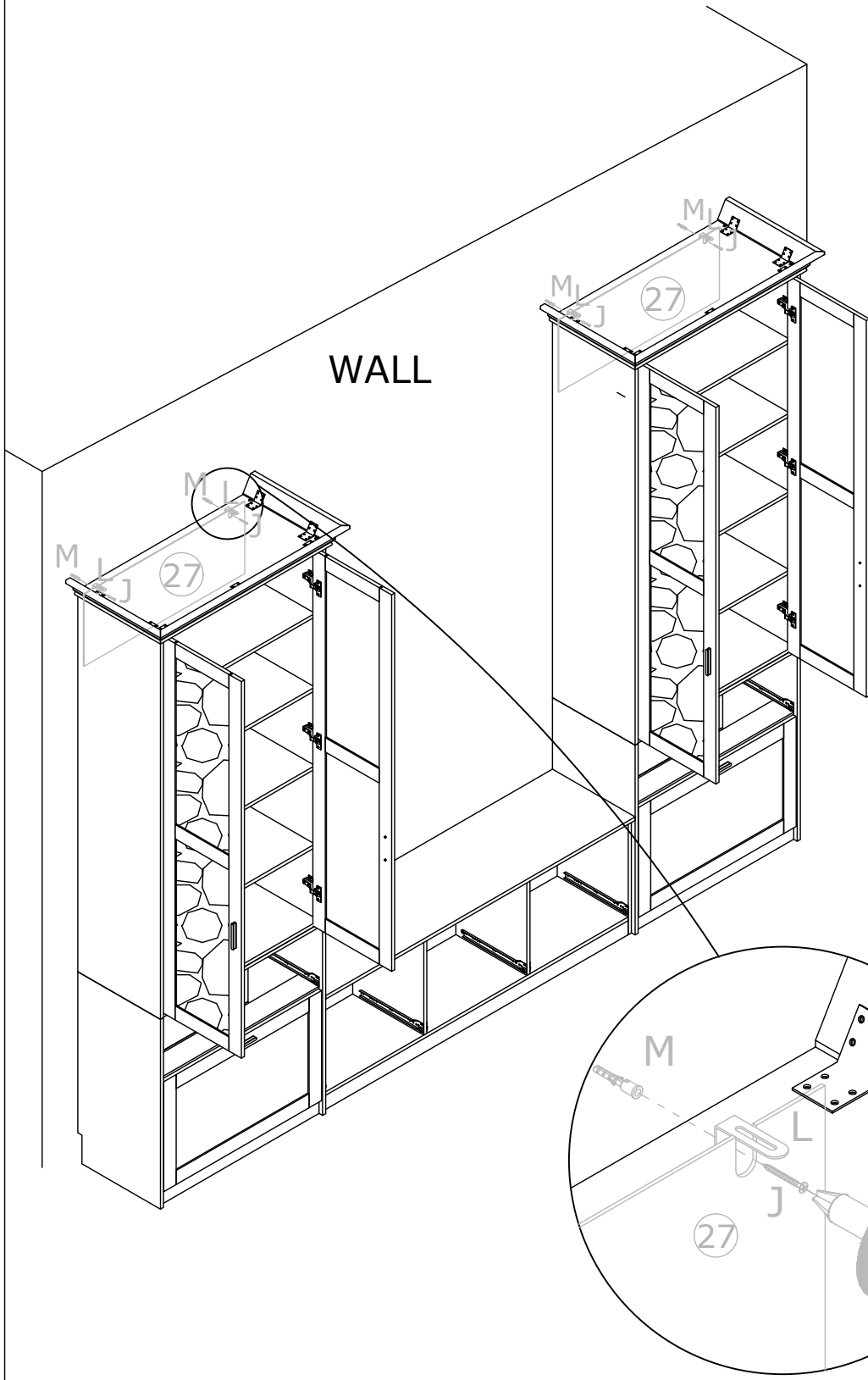
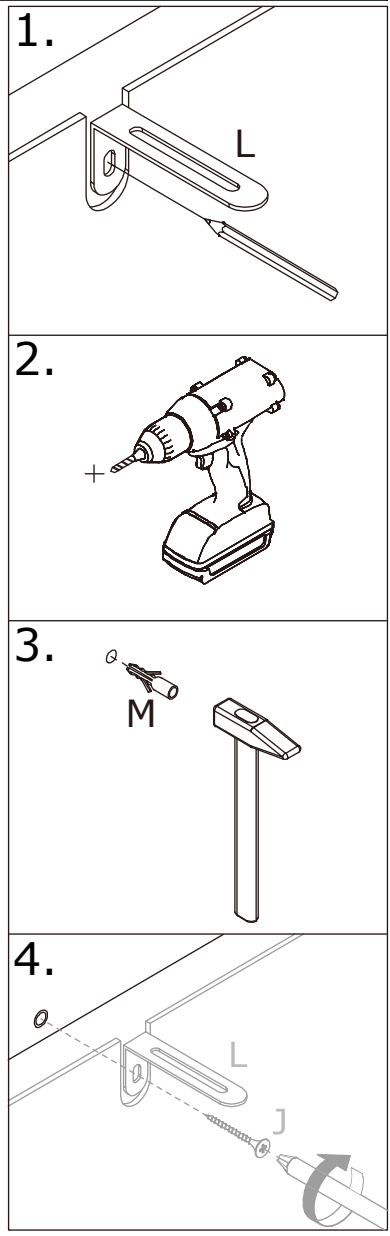
As shown in the figure, insert the component (T) along the available slot, and then fix it with the screw (U).



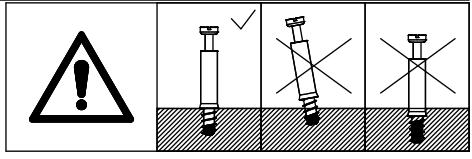
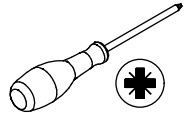
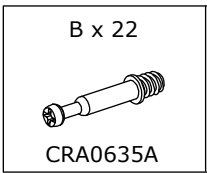
44



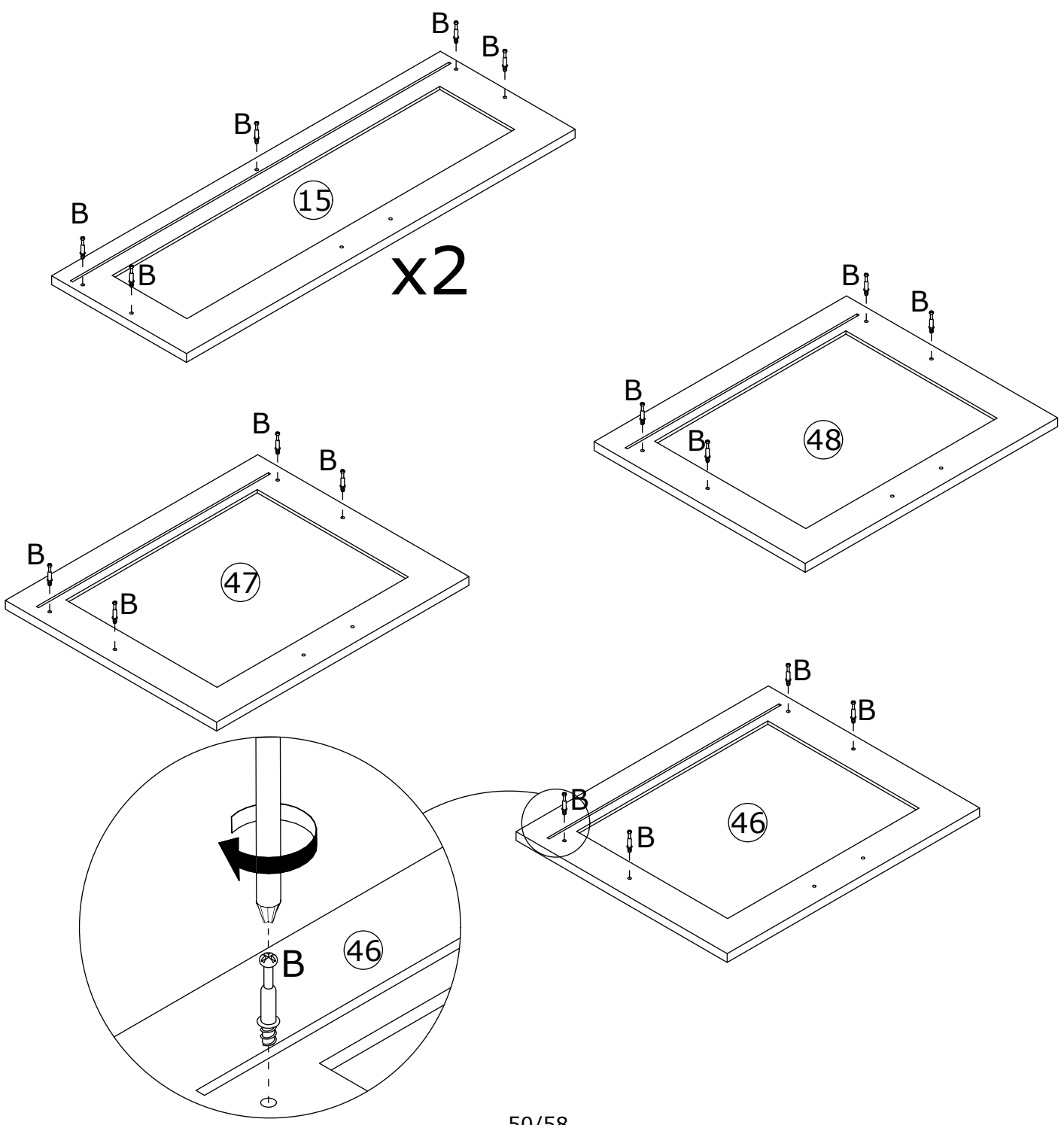
As shown in the figure, install the anti-tipping device.



45



As shown in the figure, screw the self-tapping rod (B) into Panel 15, 46, 47 and 48.

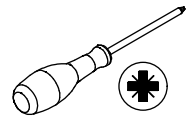


46

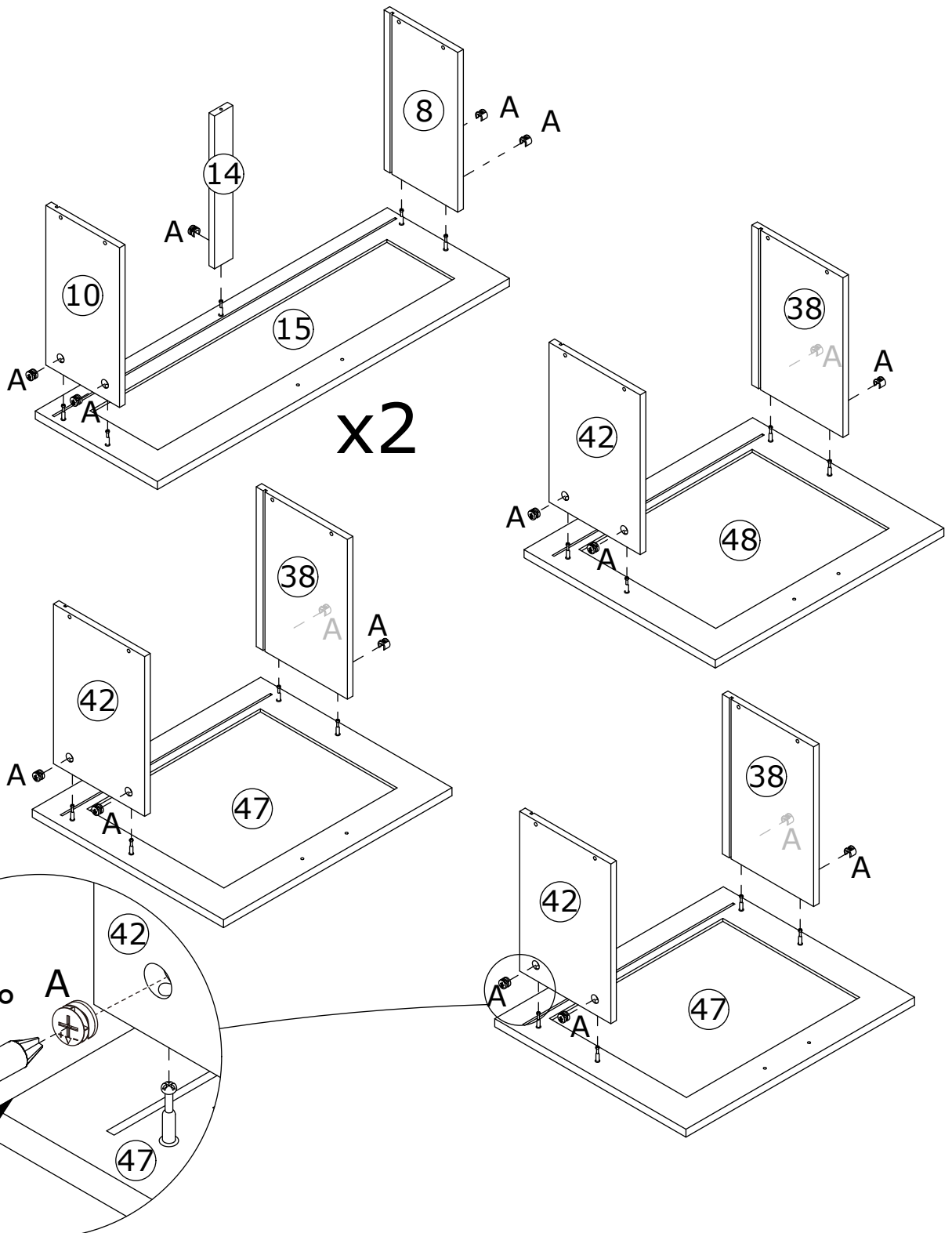
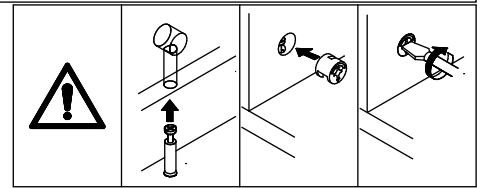
A x 22



CRB1595A

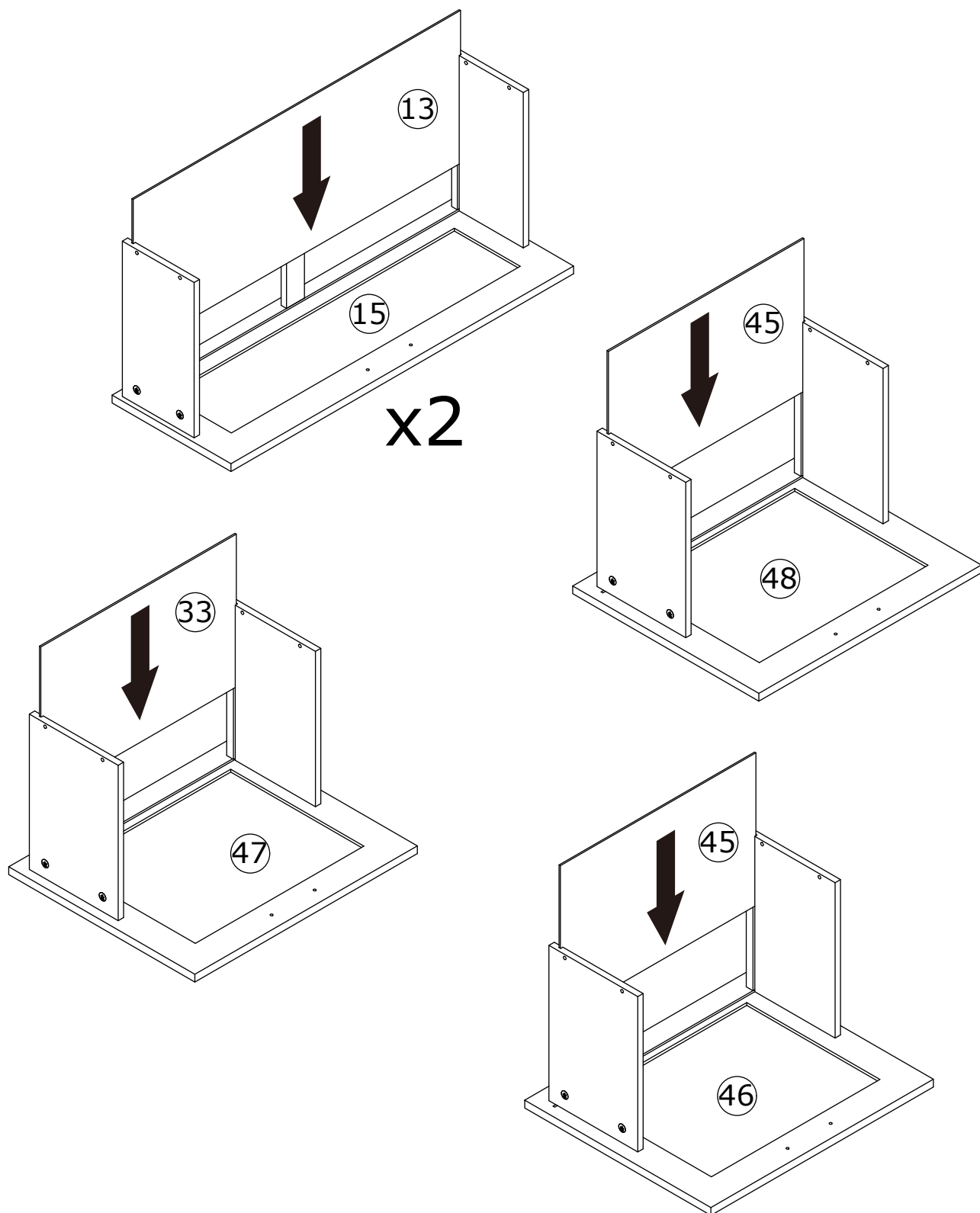


As shown in the figure, connect Panel 8, 10 and 14 to Panel 15; Panel 38 and 42 to Panel 48 and 47, and then insert the eccentric wheel (A) and tighten it by rotating it clockwise.

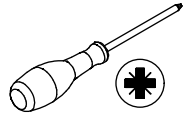
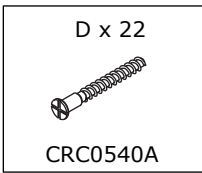


47

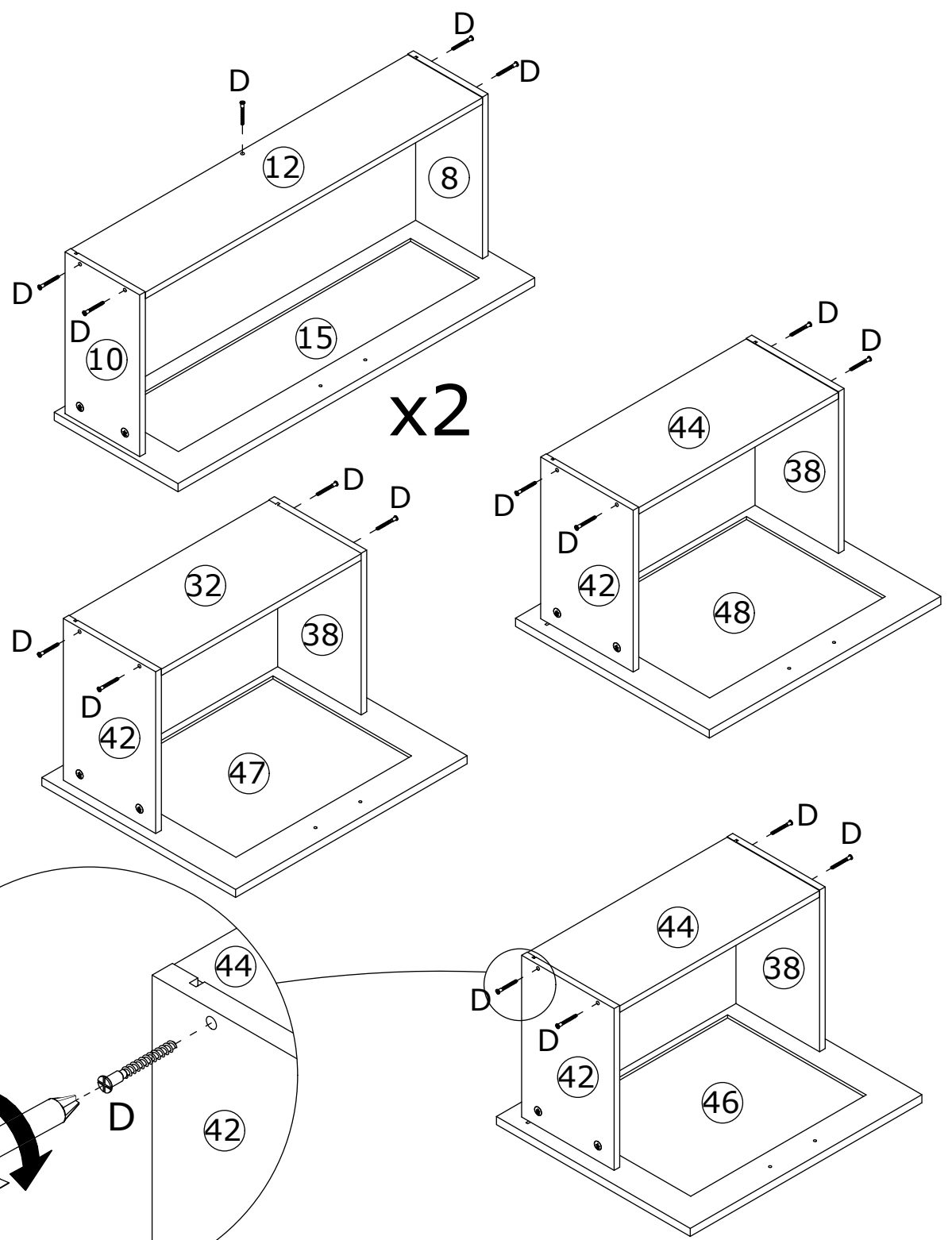
As shown in the figure, insert Panel 13, 33 and 45 along the available slots.



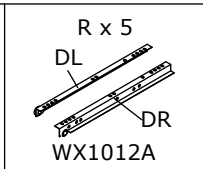
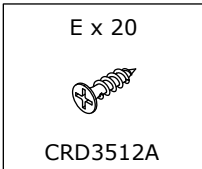
48



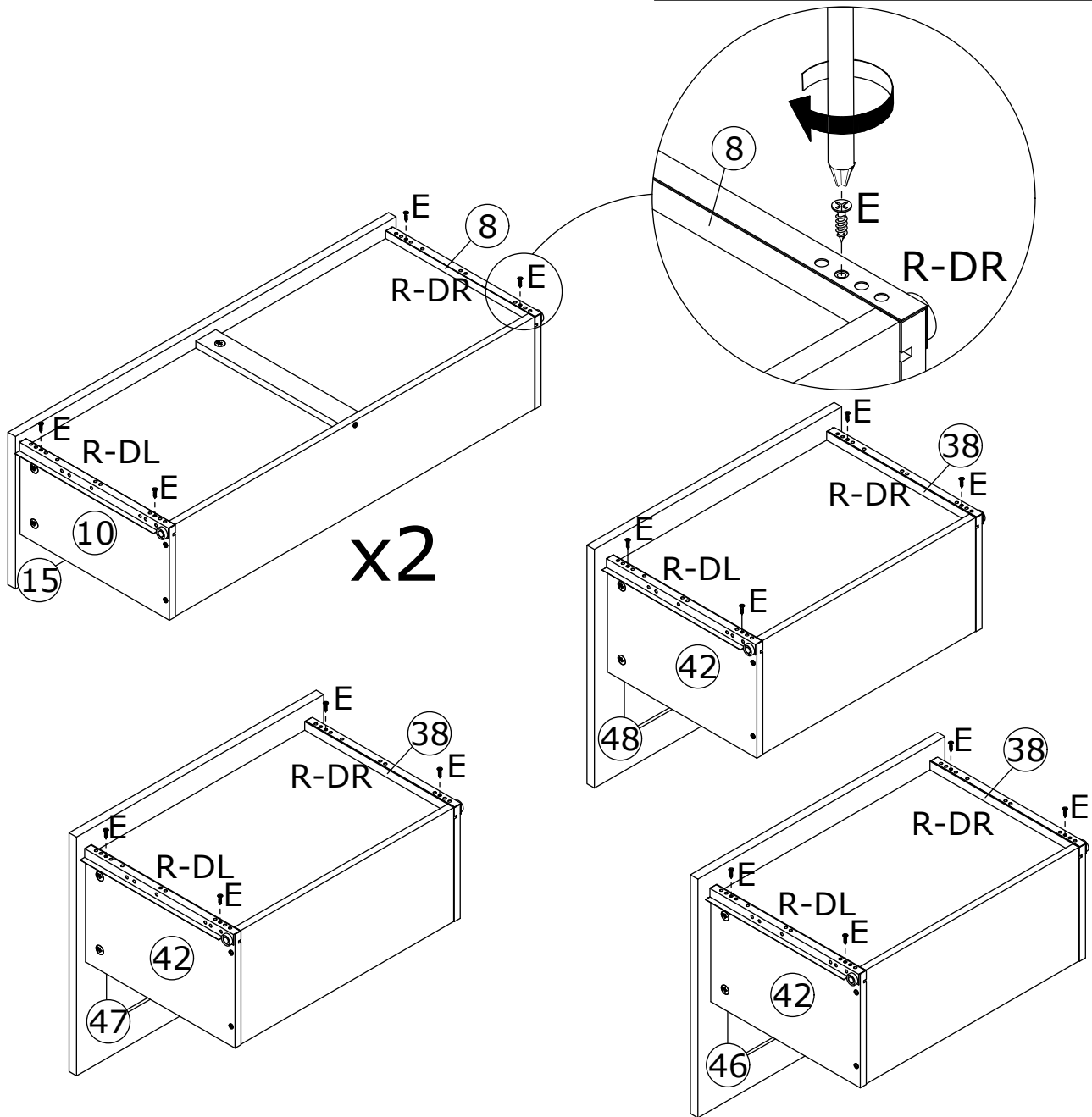
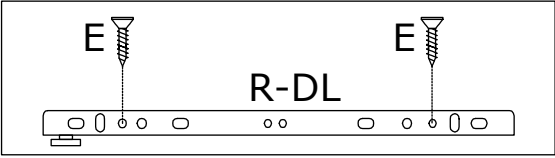
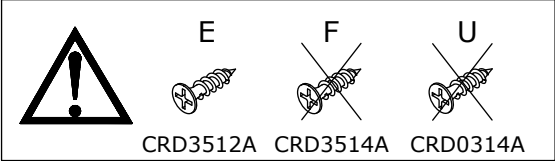
As shown in the figure, use the screws (D) to connect Panel 8, 14 and 10 to Panel 12.
Use the screws (D) to connect Panel 38 and 42 to Panel 32 and 44.



49



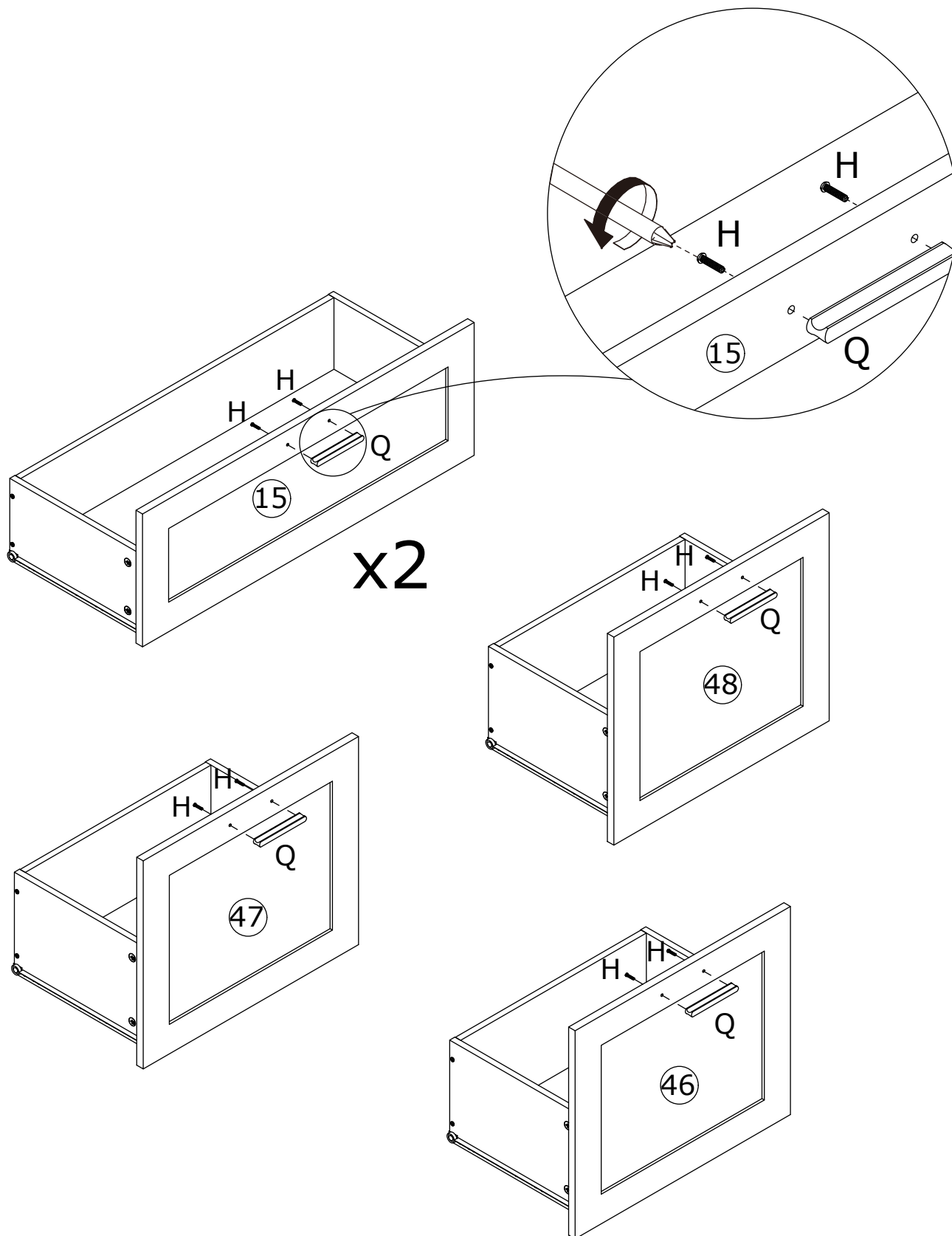
As shown in the figure, use the screws (E) to install the sliding rail R (R-DL) onto Panel 10 and 42, and use the screws (E) to install the sliding rail R (R-DR) onto Panel 8 and 38.



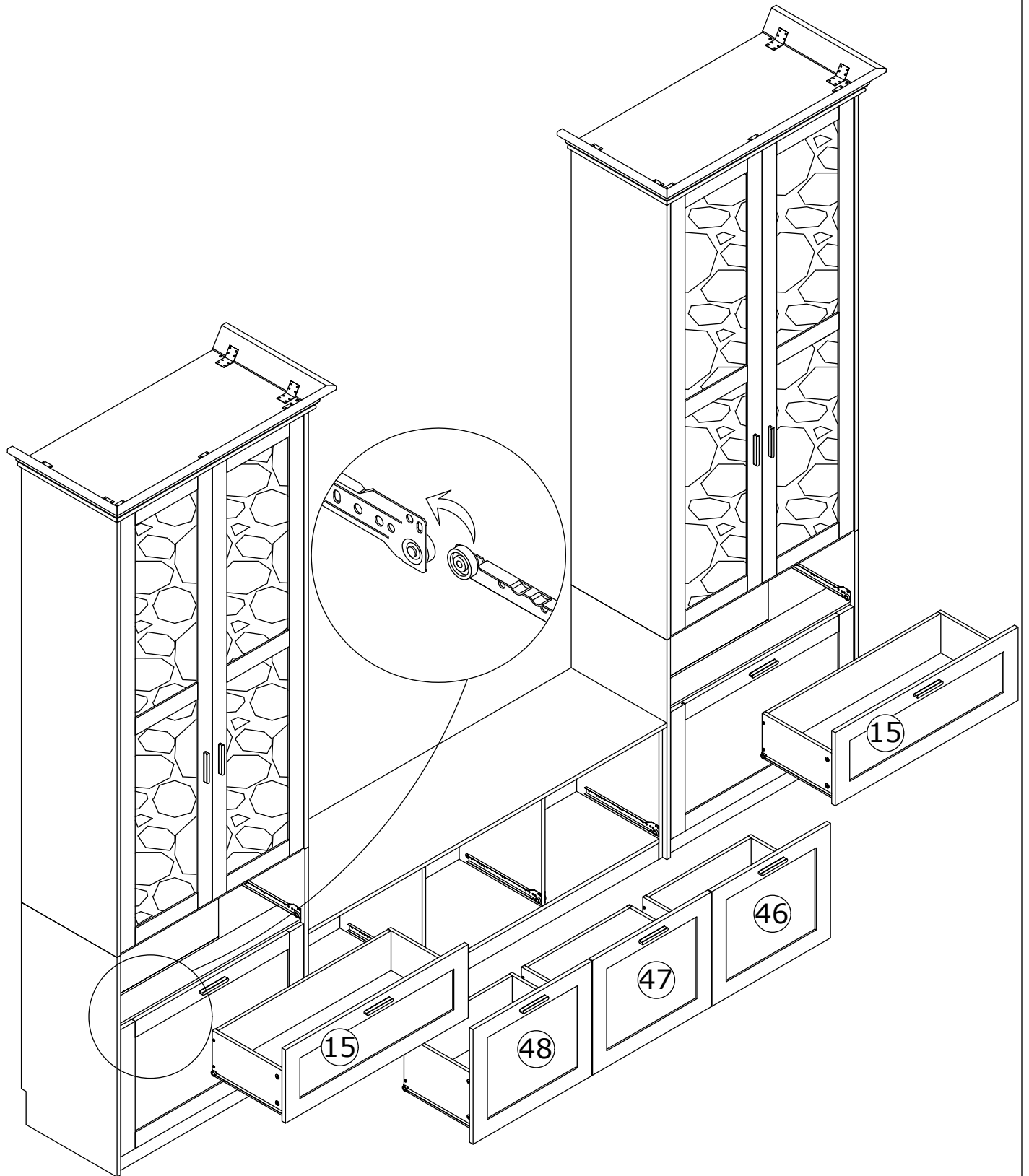
50



As shown in the figure, use the screws (H) to install the handle (Q).

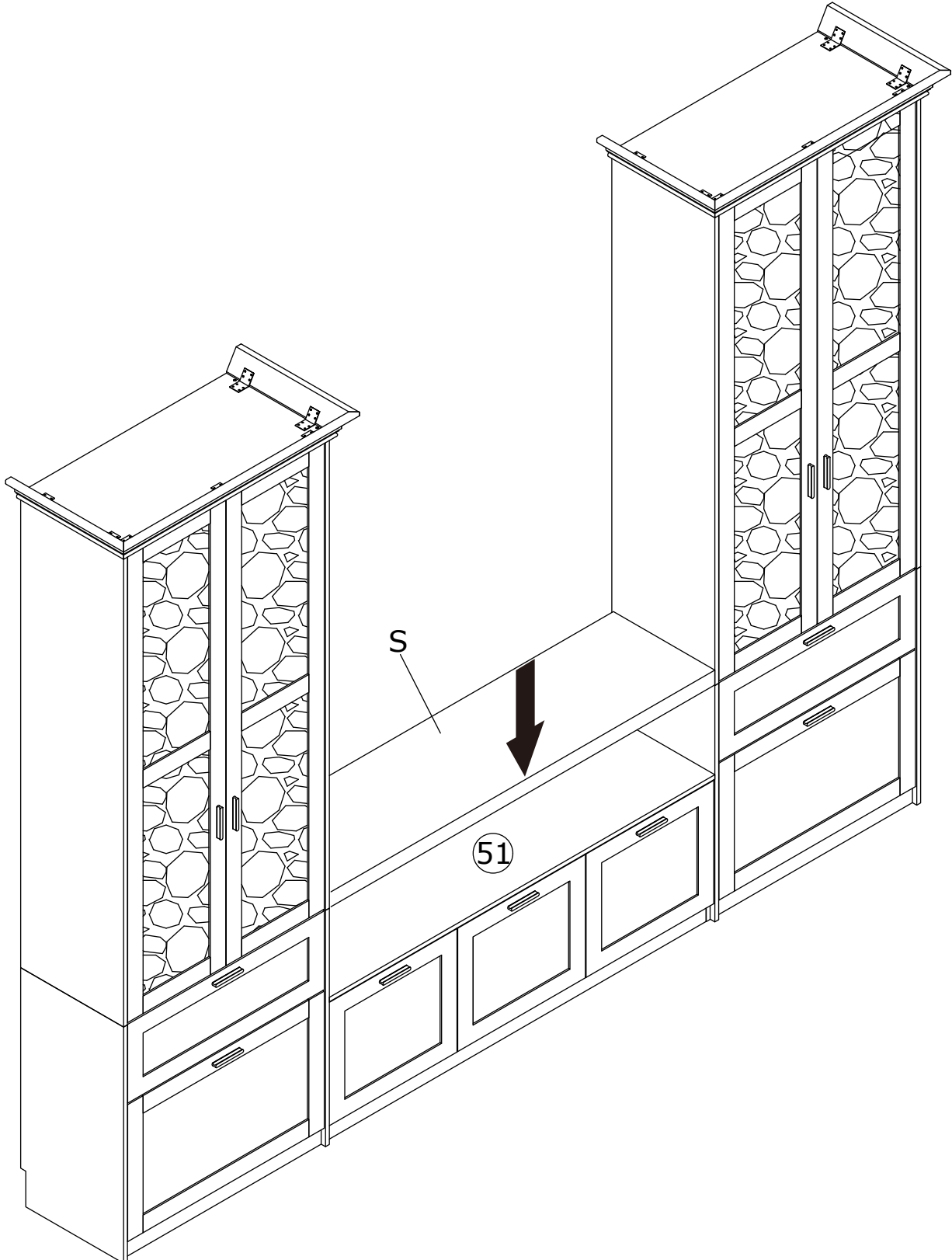


51

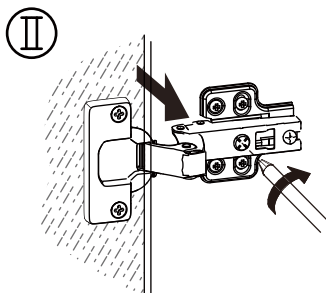
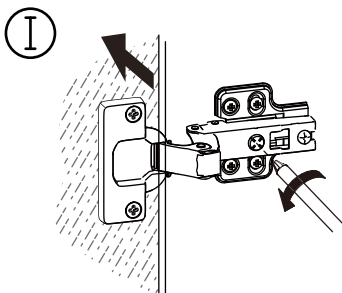
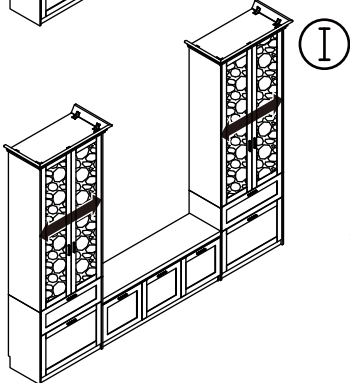
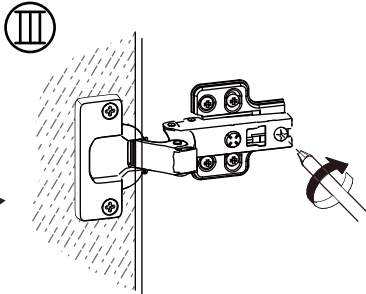
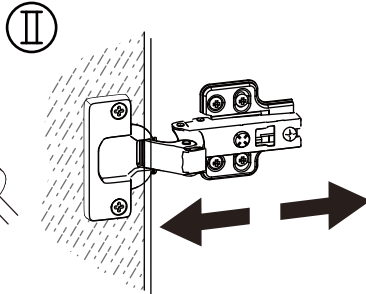
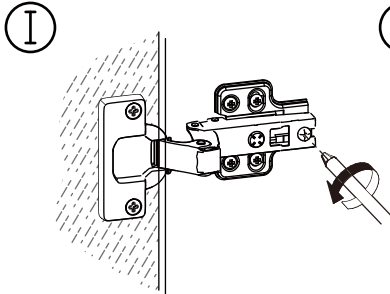
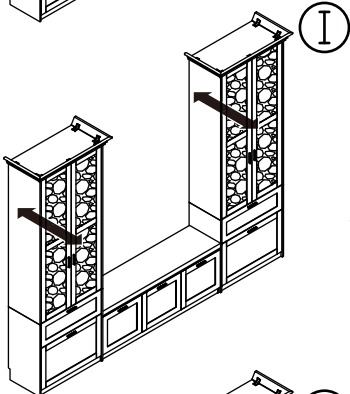
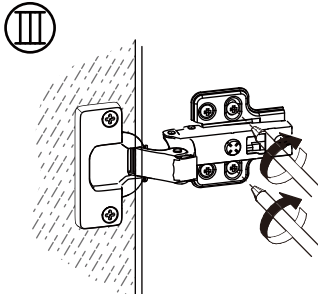
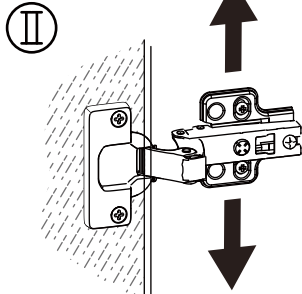
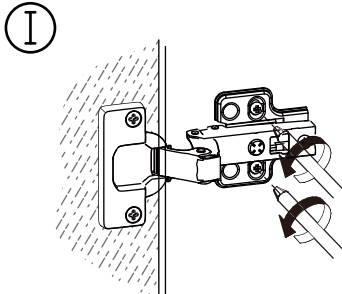
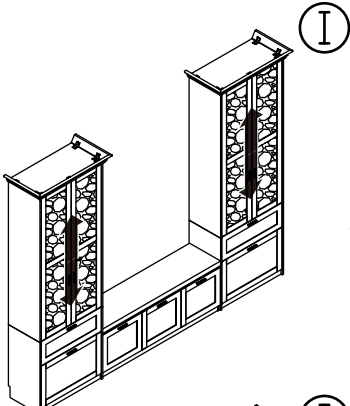
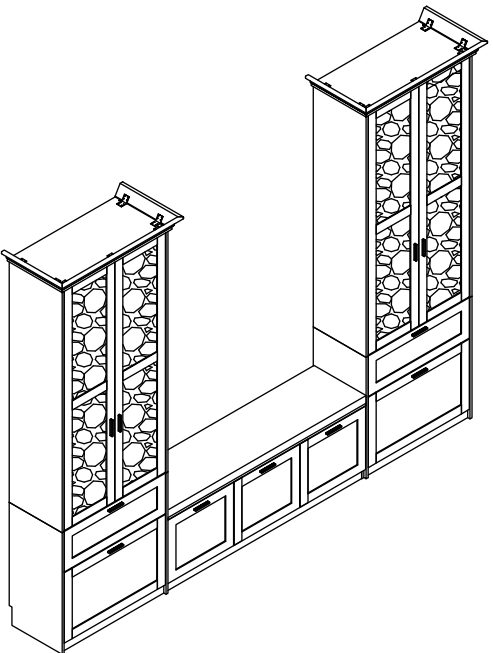


52

As shown in the figure, place the component (S) on Panel 51.



If doors are still not aligned if the hinges are properly correctly.



WARRANTY

WARRANTY CLAIMS

- There is a 30-day warranty for broken furniture or any other problems that do not work properly. The warranty will start from the date of purchase which must be verified by proof of purchase.
- Before making a claim, we may be able to answer your query, simply call us. Please leave your purchase order number, along with some details of the problem, if you want a replacement part. We will arrange within 48 hours. If there is out of stock, we will reply with a shipping date.
- The product must be used in accordance with the instructions provided. For health reasons.
- For other reasons, if the furniture needs to be returned, it must be cleaned and dried and operated within 30 days of receipt.

Type of Warranty Claim

- Failure to follow the furniture instructions will invalidate the warranty. Attention please.
- Does not include damage during installation, but includes damage during transportation.

Scope of responsibility

- Shall not bear any responsibility for misuse or user damage and / or loss of parts during the installation of furniture.
- After using, the damage and scratches of the furniture are not covered by the warranty.

The Warranty Relates to All Bought in The Us and Covers The Following Areas

- Sheet parts: 1 month from the date of purchase.
- Electrical parts: 1 month from the date of purchase.

RETURNS

CHANGED YOUR MIND AND NEED TO RETURN YOU ITEM?

PLEASE FOLLOW THE BELOW INSTRUCTIONS:

- If you have purchased and have simply changed your mind, follow the retailer's instructions for returns.

DEFECTIVE ITEMS

- If your item is defective in any way, i.e. it doesn't work but you can't identify why, in the first instance, please call us.

DAMAGED ITEMS

- If you receive an order with obvious shipping damage from the retailer, then we suggest the delivery is refused. If the delivery has been accepted and then shipping damage is found, please follow the specific instructions advised by the retailer.
In all circumstances please save all packaging material and paperwork for the order. Please be aware that if you dispose of packaging material or attempt to return the merchandise without contacting the fulfiller, you jeopardise your chances of making a claim, and you may not receive a credit for the return.