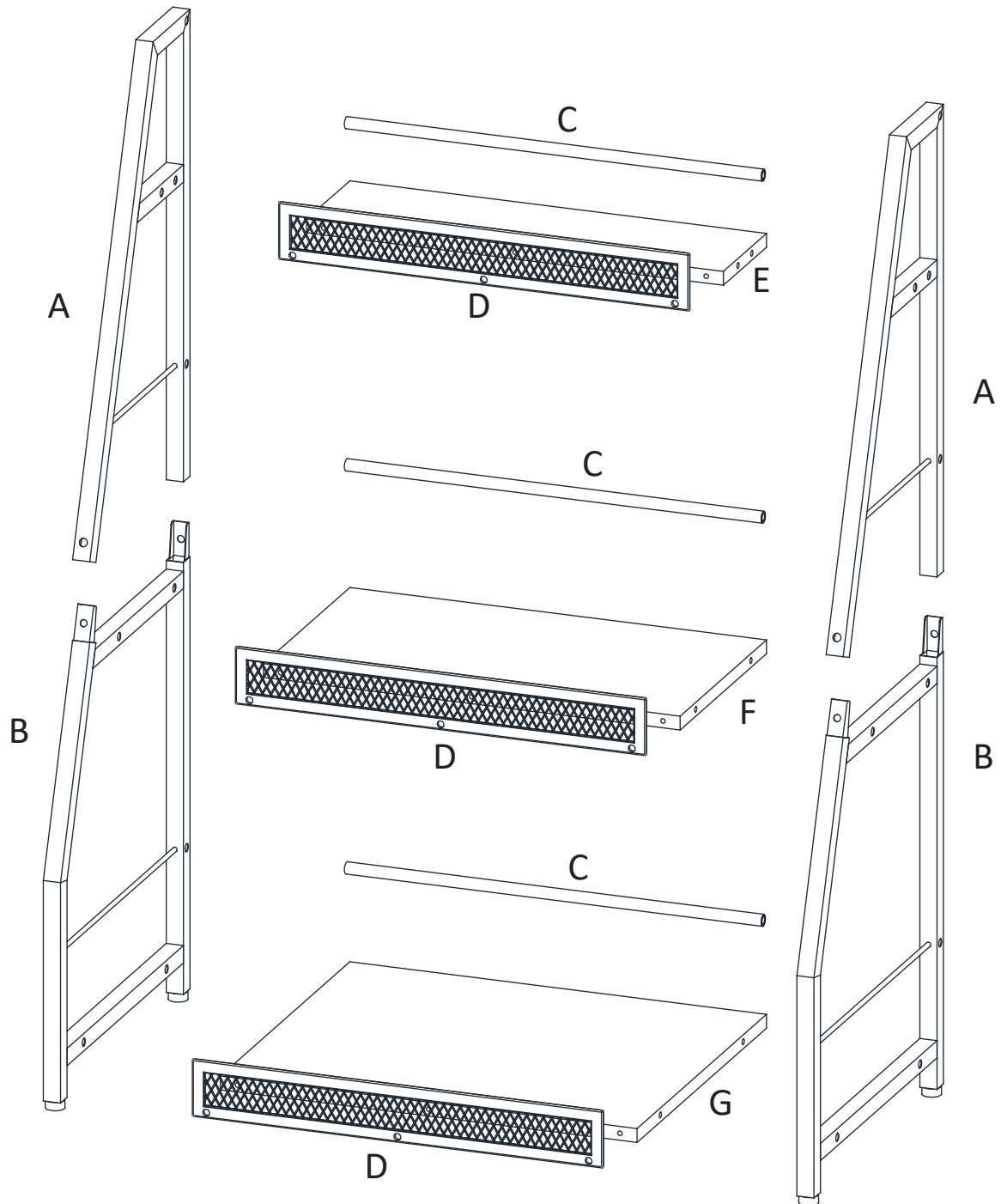
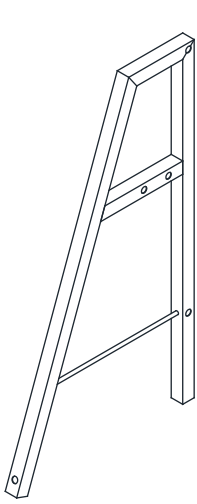


# Assembly Instructions

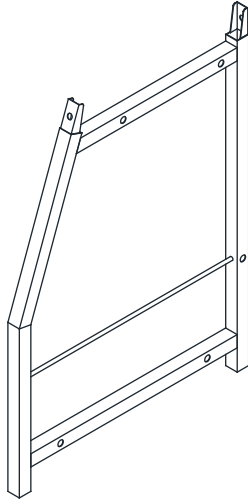


**CAUTION:**When tightening the screws ,tighten sequentially.  
Do not tighten any screws fully and then towards the next one.  
When every part is OK,then tighten all the screws.

# Parts Included



2pcs  
**A**



2pcs  
**B**



3pcs  
**C**



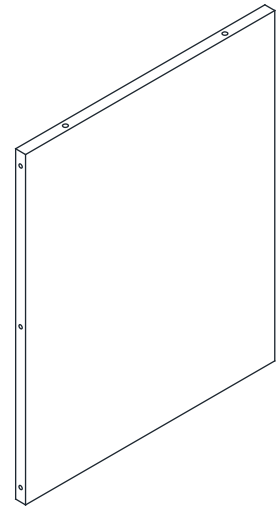
3pcs  
**D**



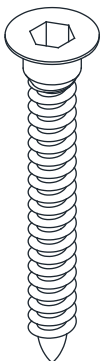
1pc  
**E**



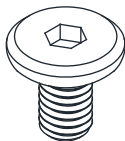
1pc  
**F**



1pc  
**G**



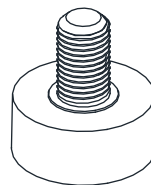
12+2pcs  
**1**



4+1pcs  
**2**



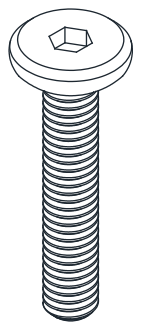
9+2pcs  
**3**



4pcs  
**4**

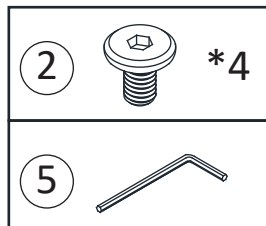
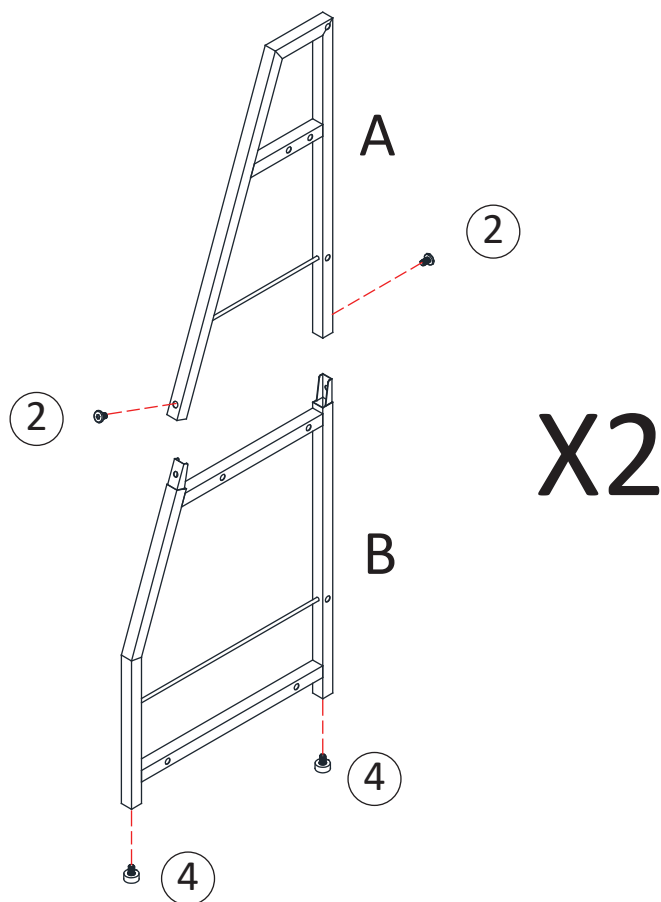


1pc  
**5**

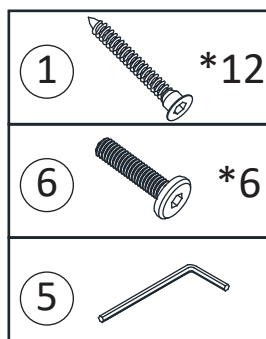
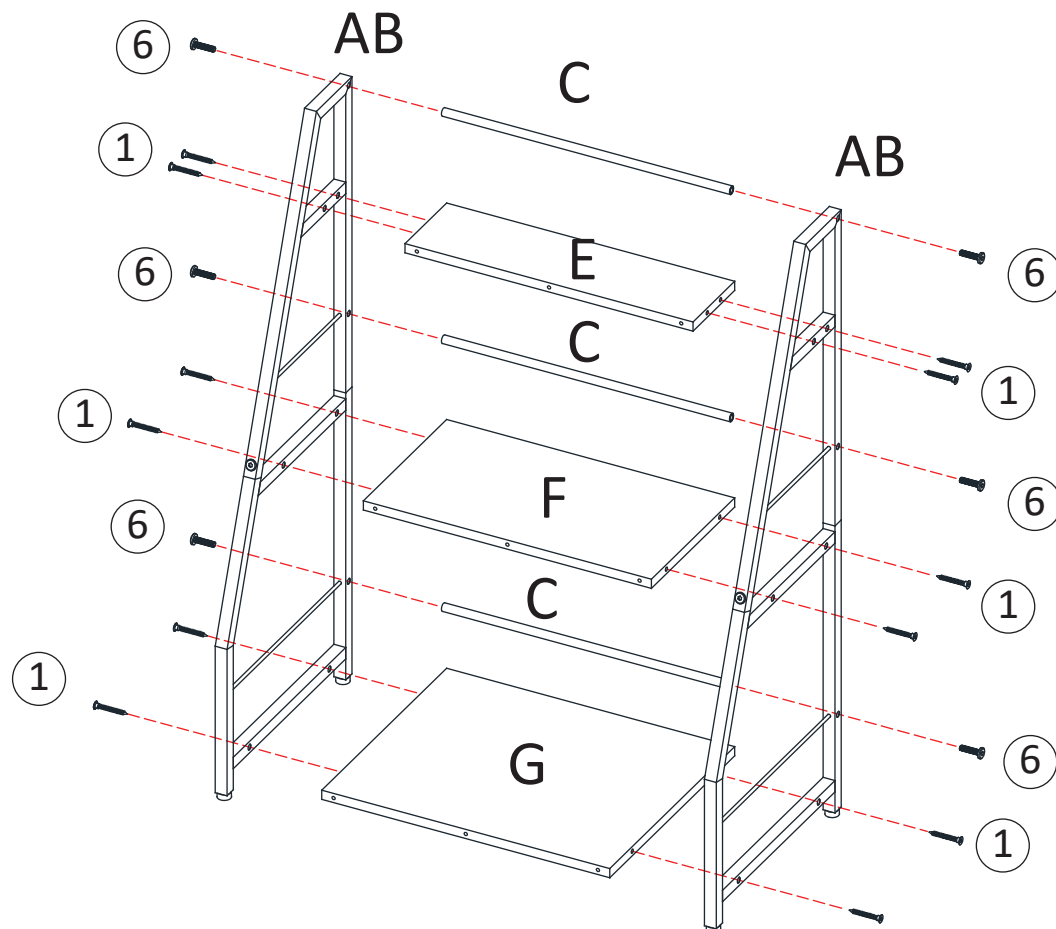


6+2pcs  
**6**

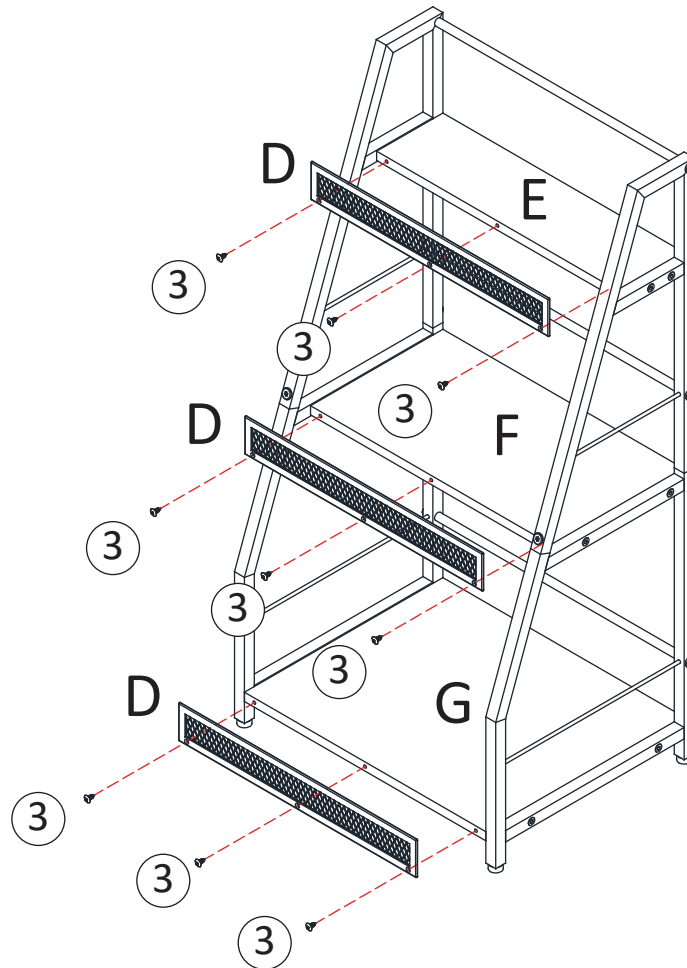
1. Connect A and B with screws (2), then get AB.  
The adjustable feet (4) are installed at the bottom.



2. Connect wooden board E\F\G and two iron frames AB with screws (1).  
Three round tubes C are fixed in two iron frames AB with screws (6).



3. Three mesh D secured to the front of the board E/F/G with screws ③.



4. Assembly completed.

