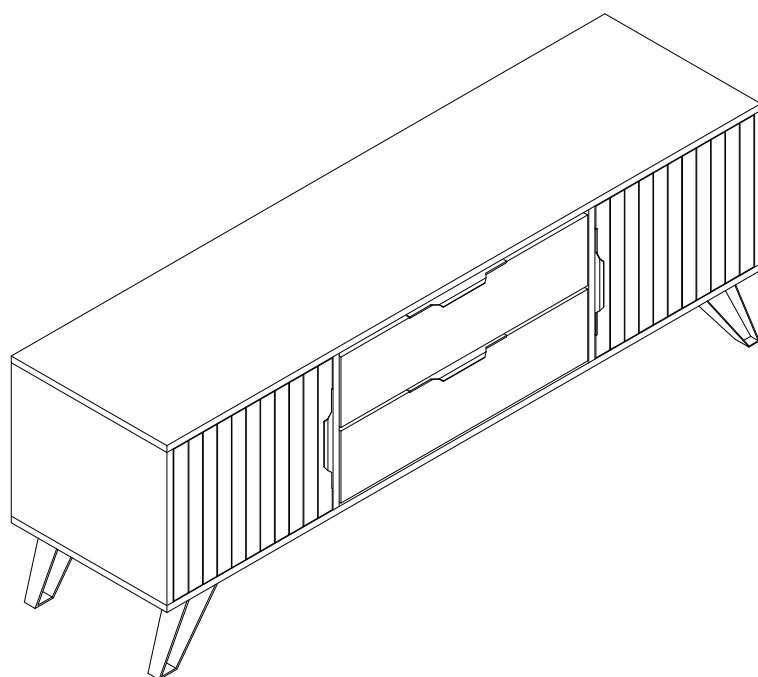
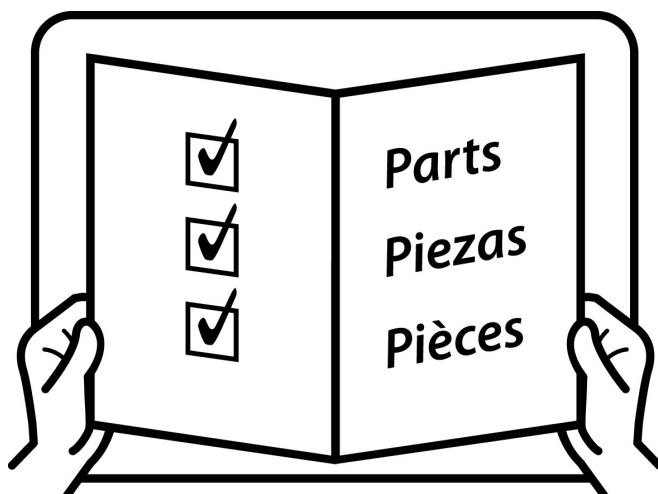
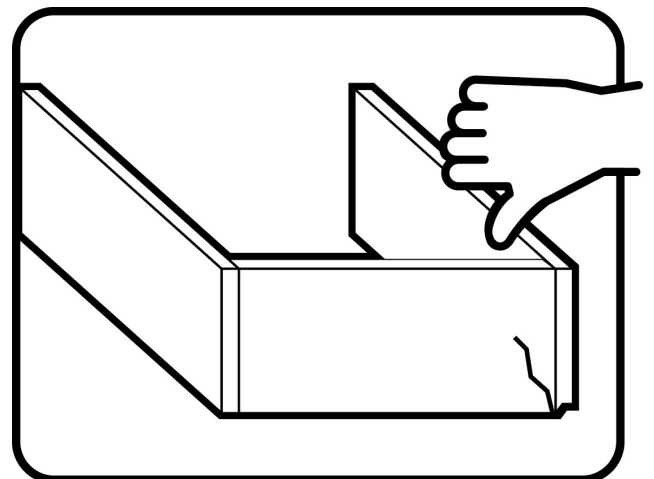
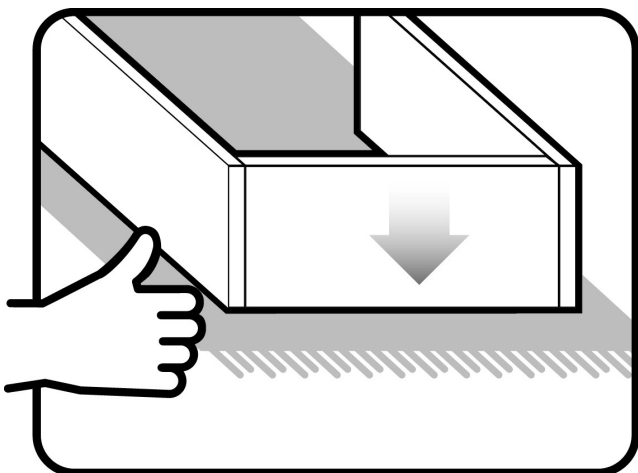
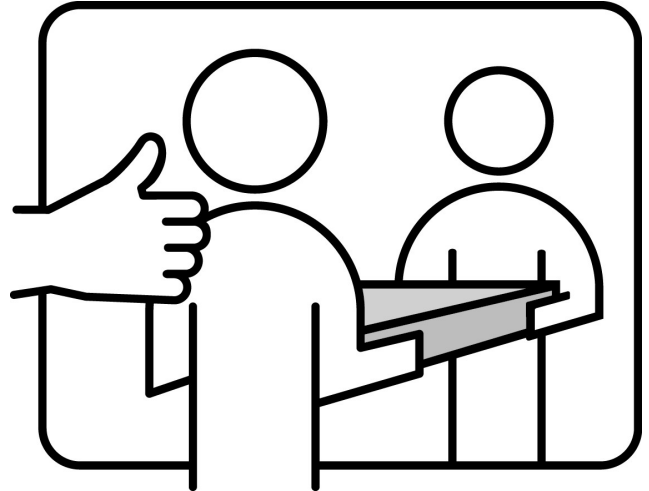
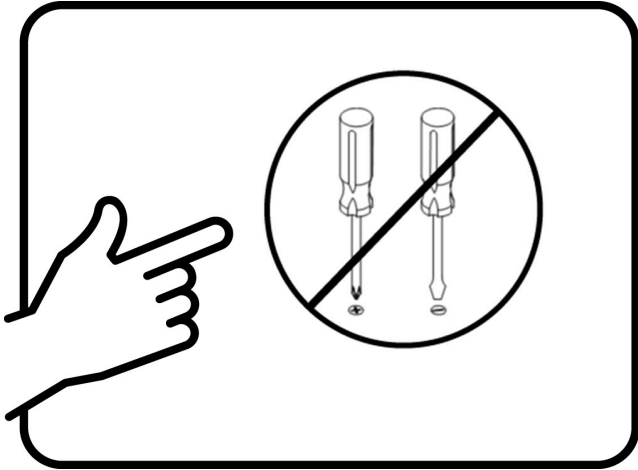


Assembly | Asambla | Assemblage

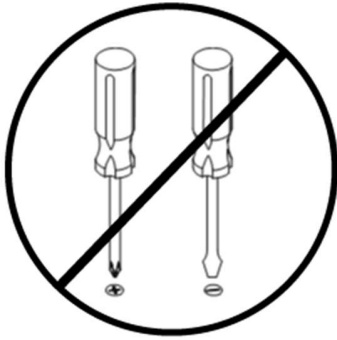


Assembly | Asambllea | Assemblage



Assembly | Asamblea | Assemblage

Techniques | Técnicas | Techniques



Care | Cuidado | Entretien



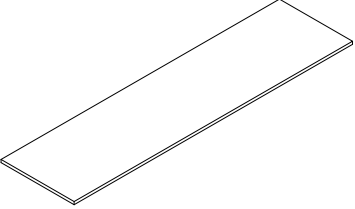
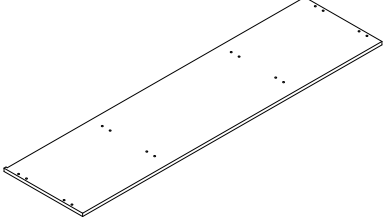
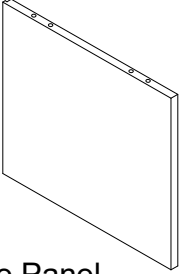
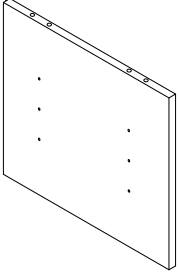
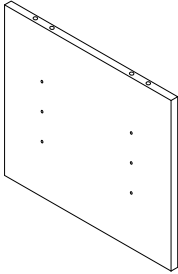
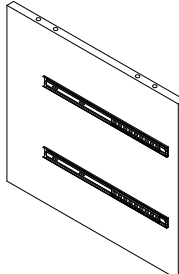
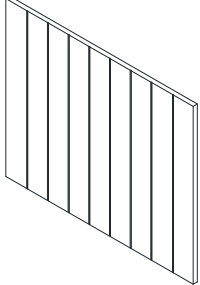
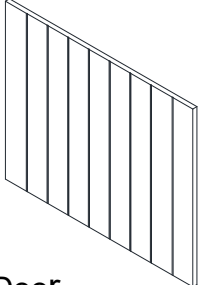
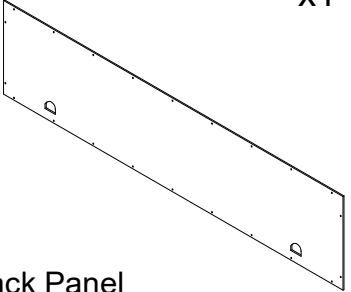
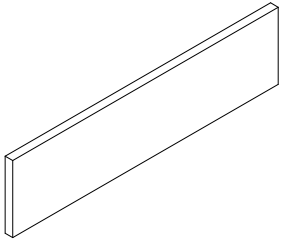
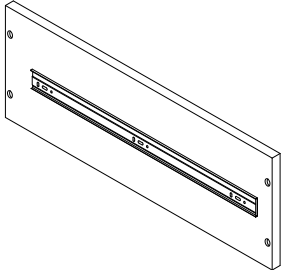
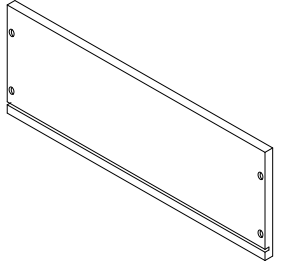
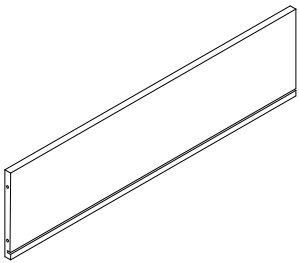
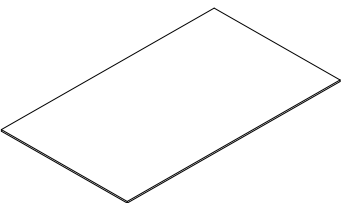
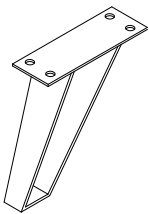
Safety | Seguridad | Sécurité





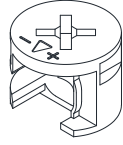
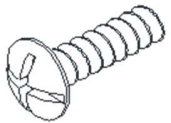
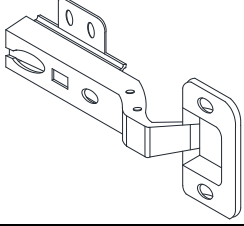
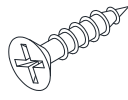
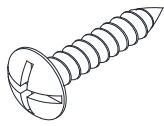
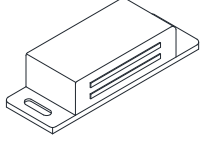
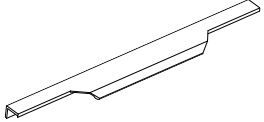
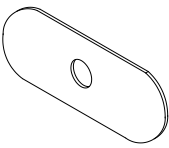
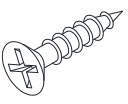
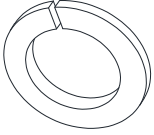
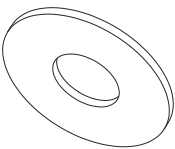
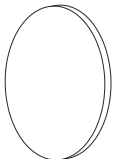
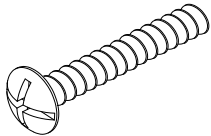
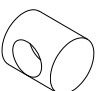
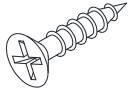
Note! | ¡Nota! | Remarque!



Assembly | Asamblea | Assemblage

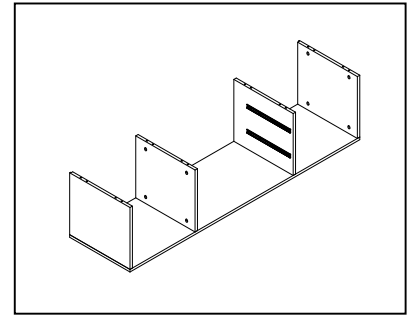
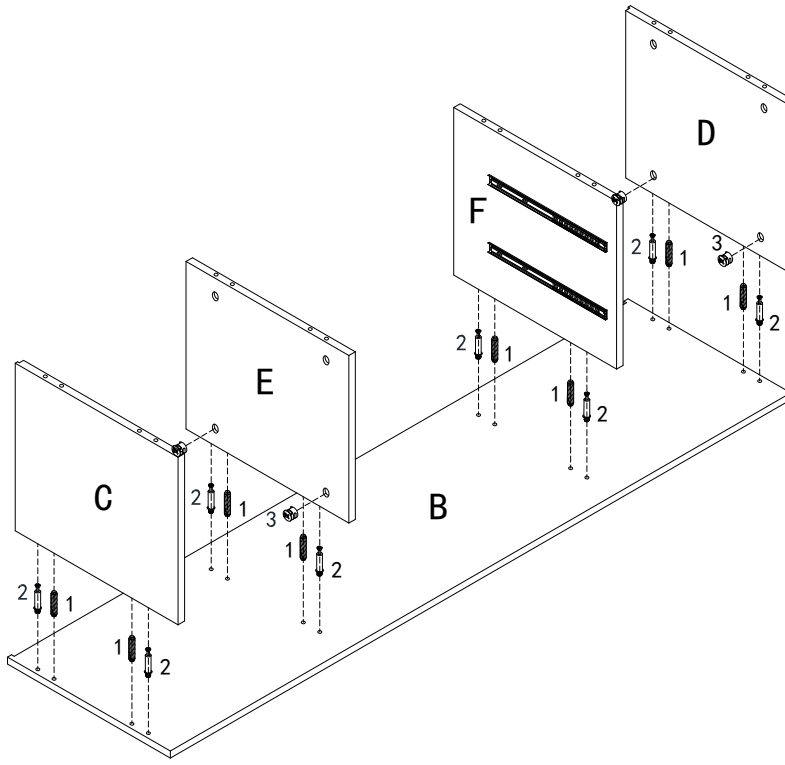
<p>A x1</p>  <p>Top Panel</p>	<p>B x1</p>  <p>Bottom Panel</p>	<p>C x1</p>  <p>Left Side Panel</p>
<p>D x1</p>  <p>Right Side Panel</p>	<p>E x1</p>  <p>Left vertical panel</p>	<p>F x1</p>  <p>Right vertical panel</p>
<p>G x1</p>  <p>Left Door</p>	<p>H x1</p>  <p>Right Door</p>	<p>I x1</p>  <p>Back Panel</p>
<p>J x2</p>  <p>Drawer Face Panel</p>	<p>K x2</p>  <p>Drawer Left Side Panel</p>	<p>L x2</p>  <p>Drawer Right Side Panel</p>
<p>M x2</p>  <p>Drawer Back Side Panel</p>	<p>N x2</p>  <p>Drawer Bottom Panel</p>	<p>O x4</p> <p>E</p>  <p>Foot</p>

Assembly | Asambla | Assemblage

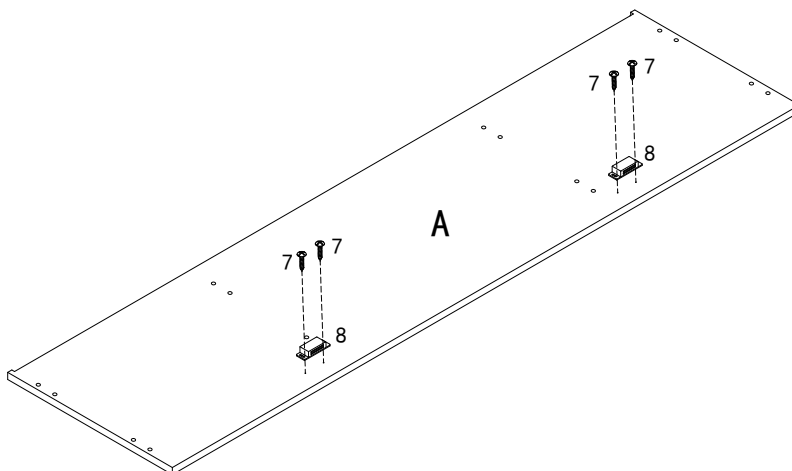
1	x16	2	x16	3	x16
					
Wood Dowel		Cam Bolt		Cam Lock	
4	x16	5	x4	6	x24
					
Short Bolt		Hinge		Flat Head Short Screw	
7	x26	8	x2	9	x4
					
Screw		Magnet Lock		Handle	
10	x2	11	x2	12	16
					
Magnet Plate		Flat Head Short Screw		Spring Washer	
13	x16	14	x16	15	x16
					
Flat Washer		Plastic Cover		Bolt	
16	x16	17	x8		
					
Nut		Flat Head Short Screw			

Assembly | Asambla | Assemblage

1

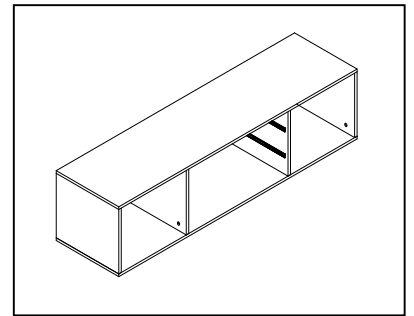
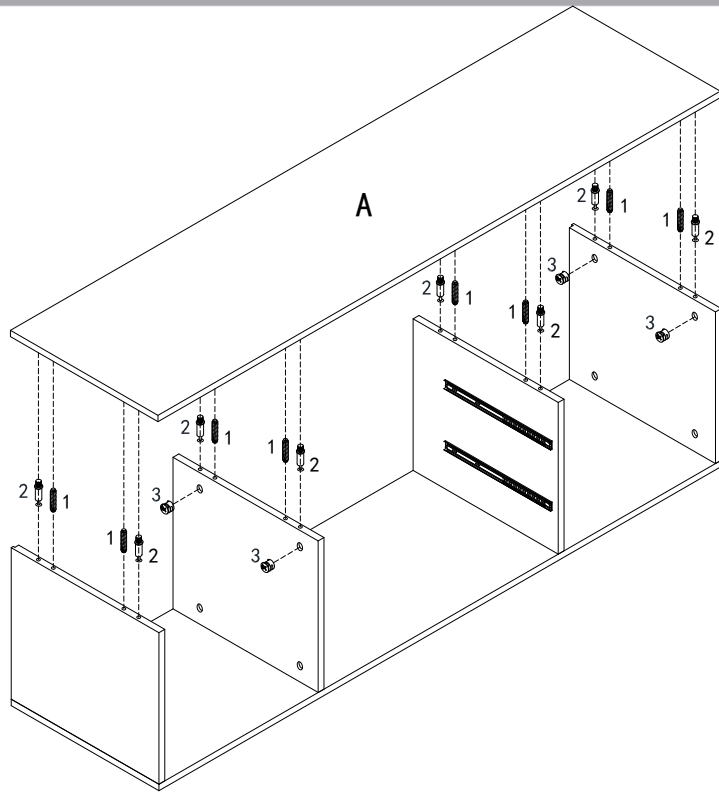


2

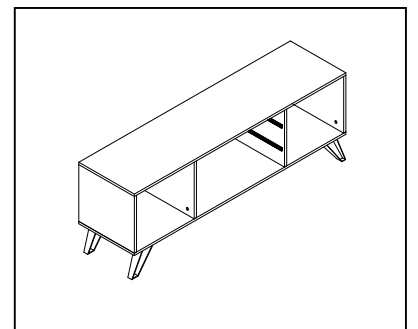
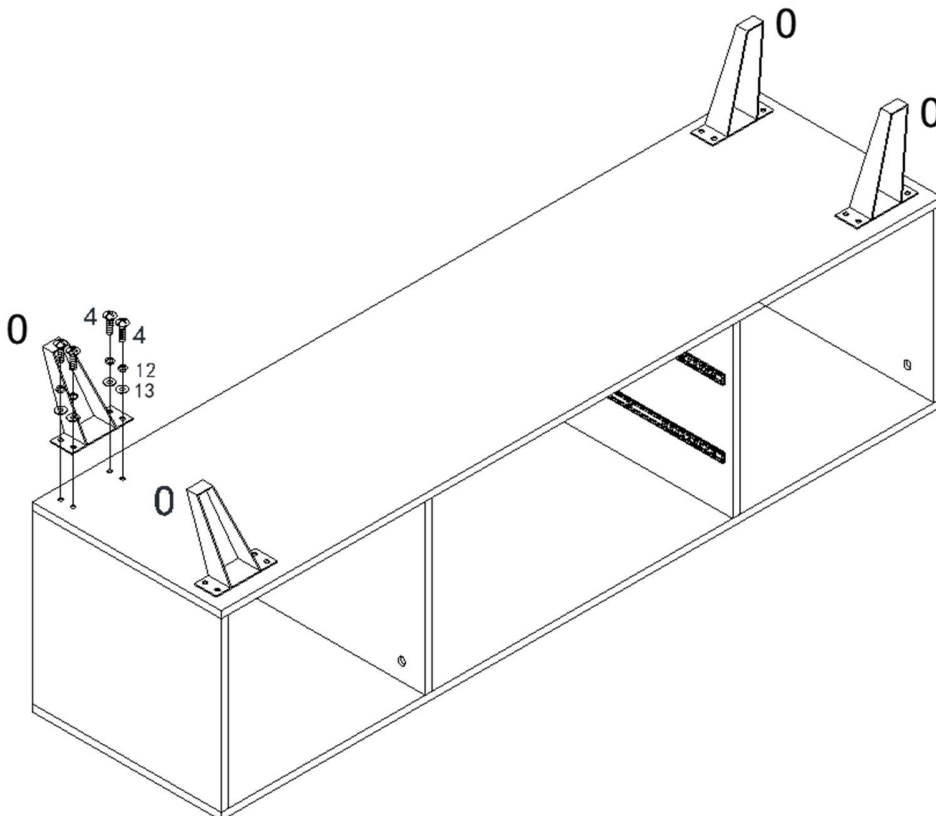


Assembly | Asambla | Assemblage

3

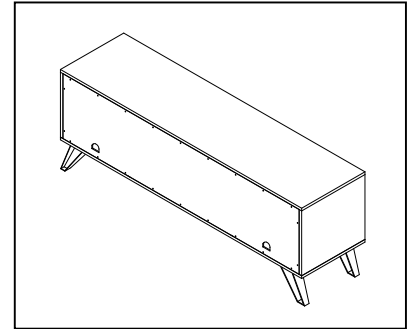
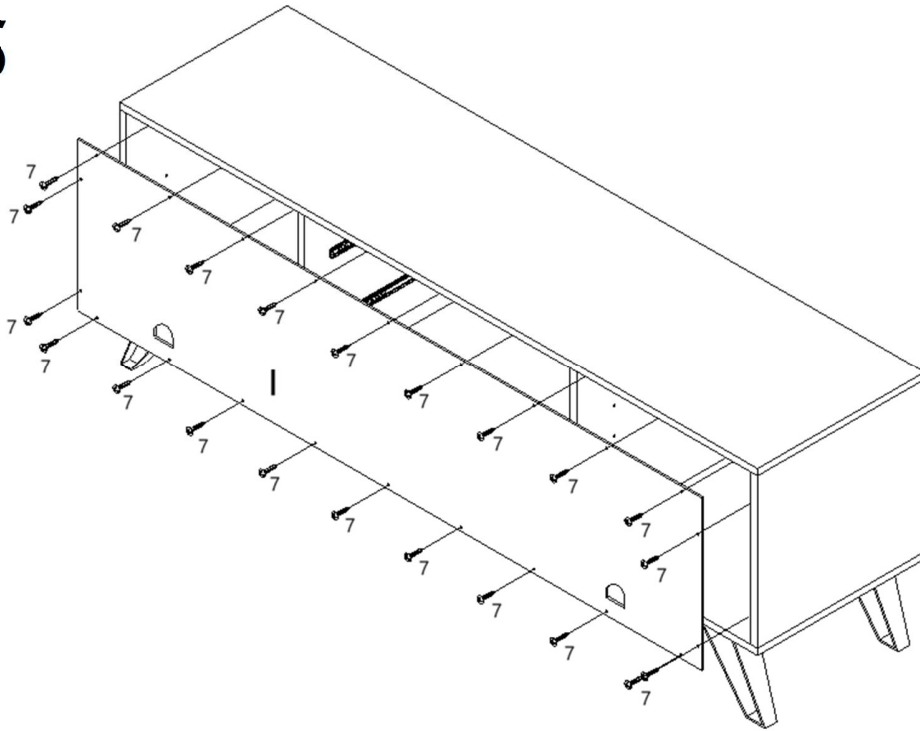


4

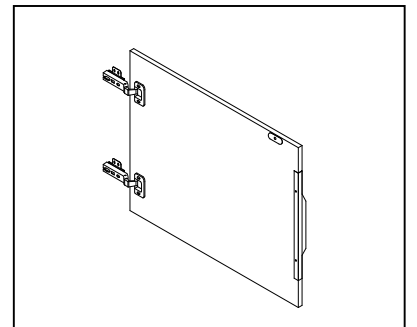
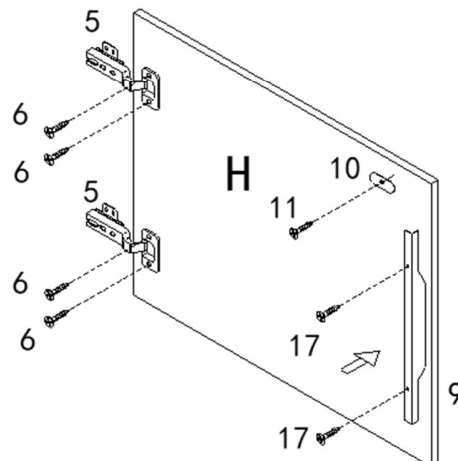
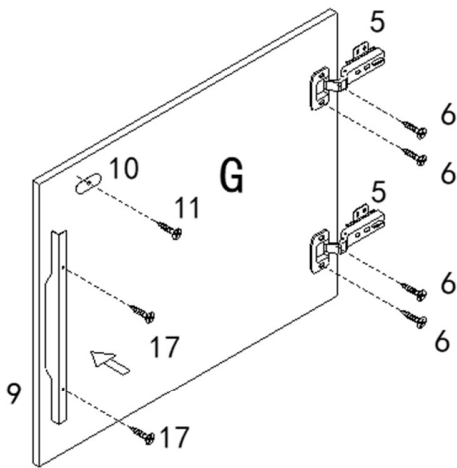


Assembly | Asamblea | Assemblage

5

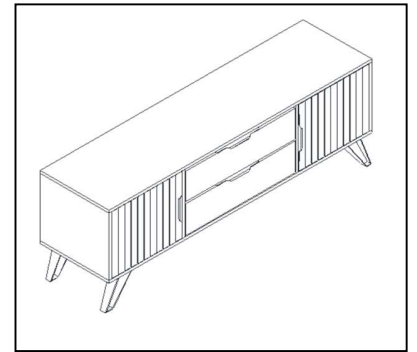
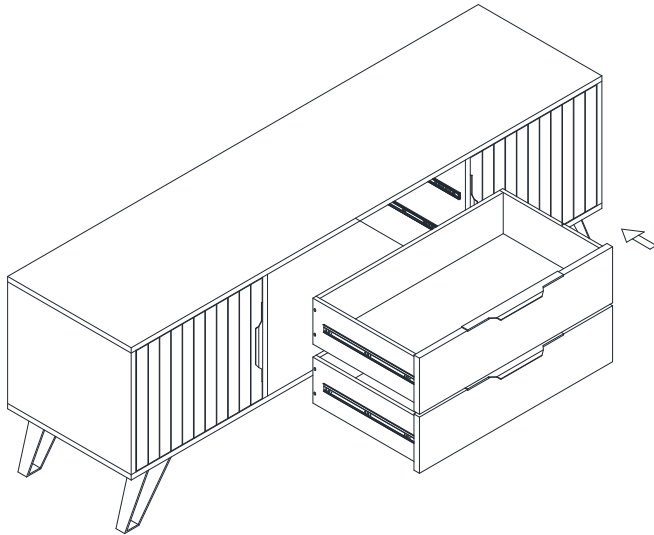


6

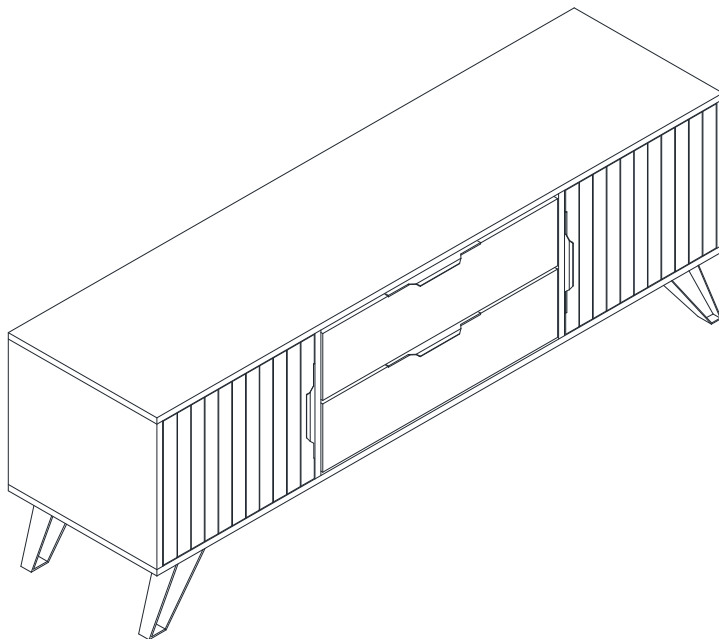


Assembly | Asambla | Assemblage

9



10



To achieve uniform clearance around the door, you may need to adjust the door by tightening or loosening the two screws on the hinge itself.

Para lograr un espacio uniforme alrededor de la puerta, es posible que deba ajustar la puerta apretando o aflojando los dos tornillos de la bisagra.

Pour obtenir un jeu uniforme autour de la porte, vous devrez peut-être ajuster la porte en serrant ou en desserrant les deux vis de la charnière.