

BRIZO®

ACCESSORIES

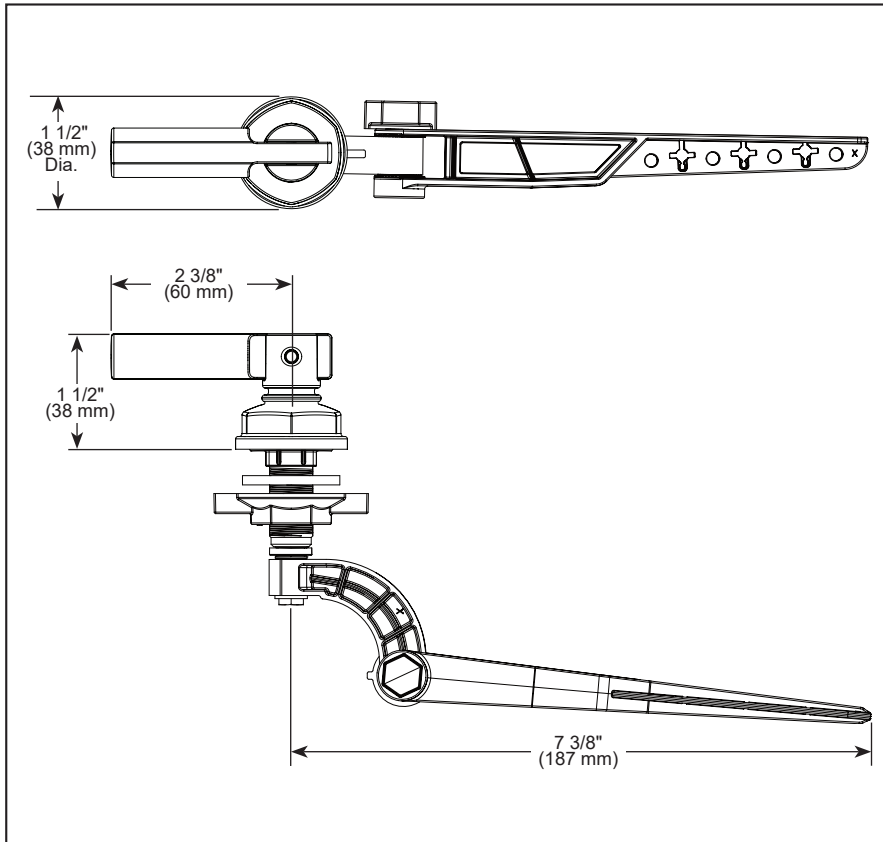
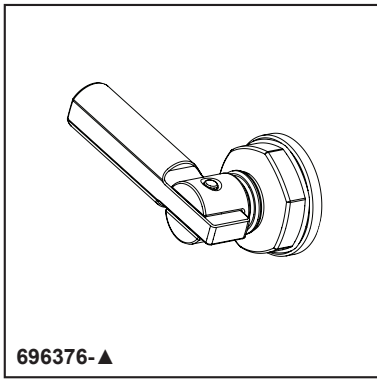
- Invari® Collection
- Universal Flush Lever

STANDARD SPECIFICATIONS:

- Universal front or left side mount tank lever

WARRANTY

- Parts and Finish – Lifetime limited warranty; or for commercial purchasers, 10 years for multi-family residential (apartments and condominiums) and 5 years for all other commercial uses, in each case from the date the product is received by the original purchaser or their authorized representative (installation contractor, etc.
- Please go to www.brizo.com for the complete details of our limited warranty.



▲ Designate proper finish suffix