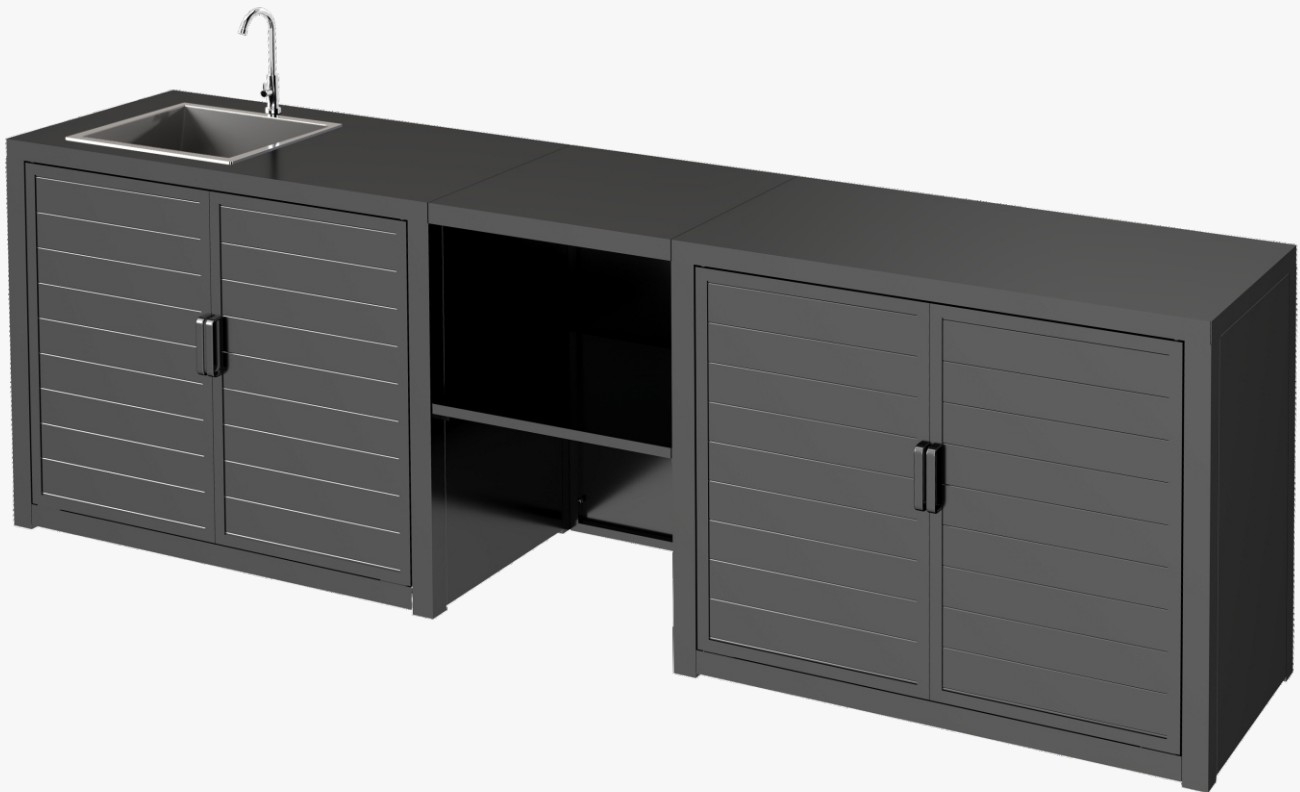
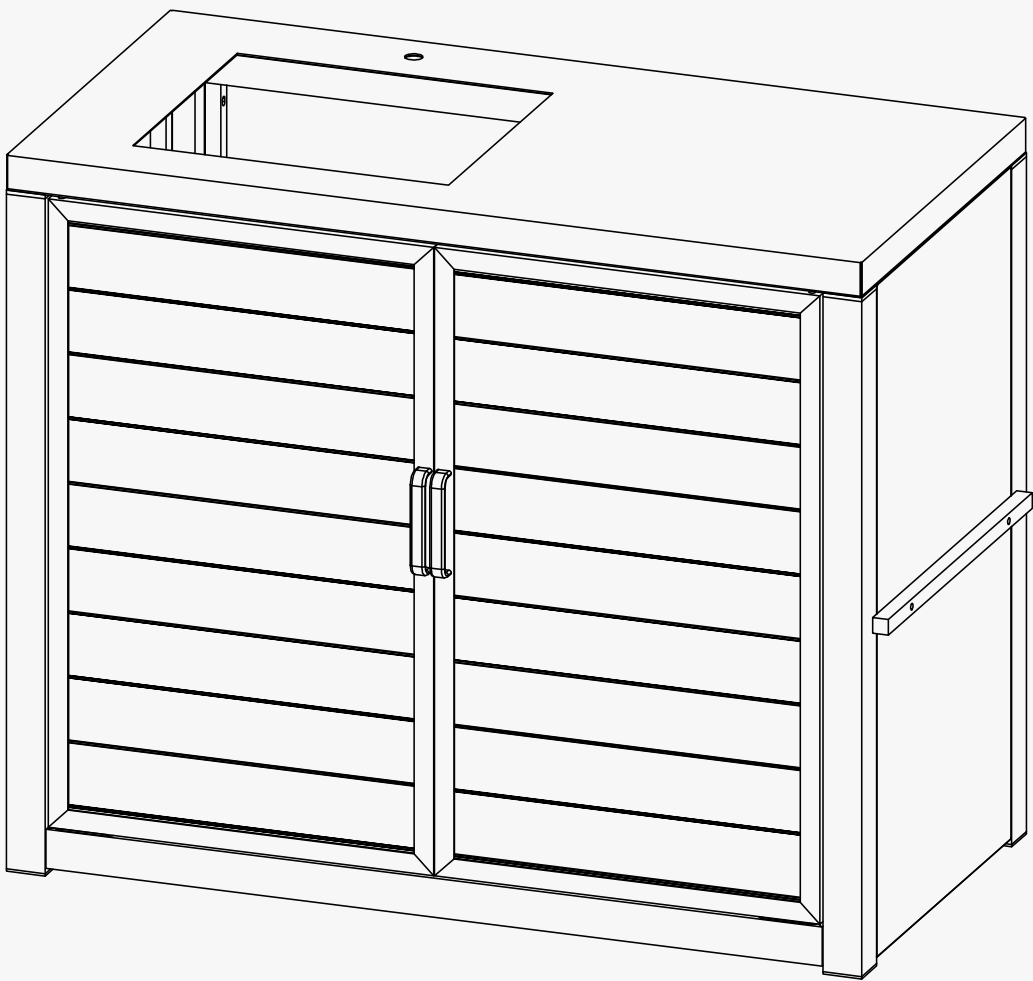


Outdoor Kitchen Series

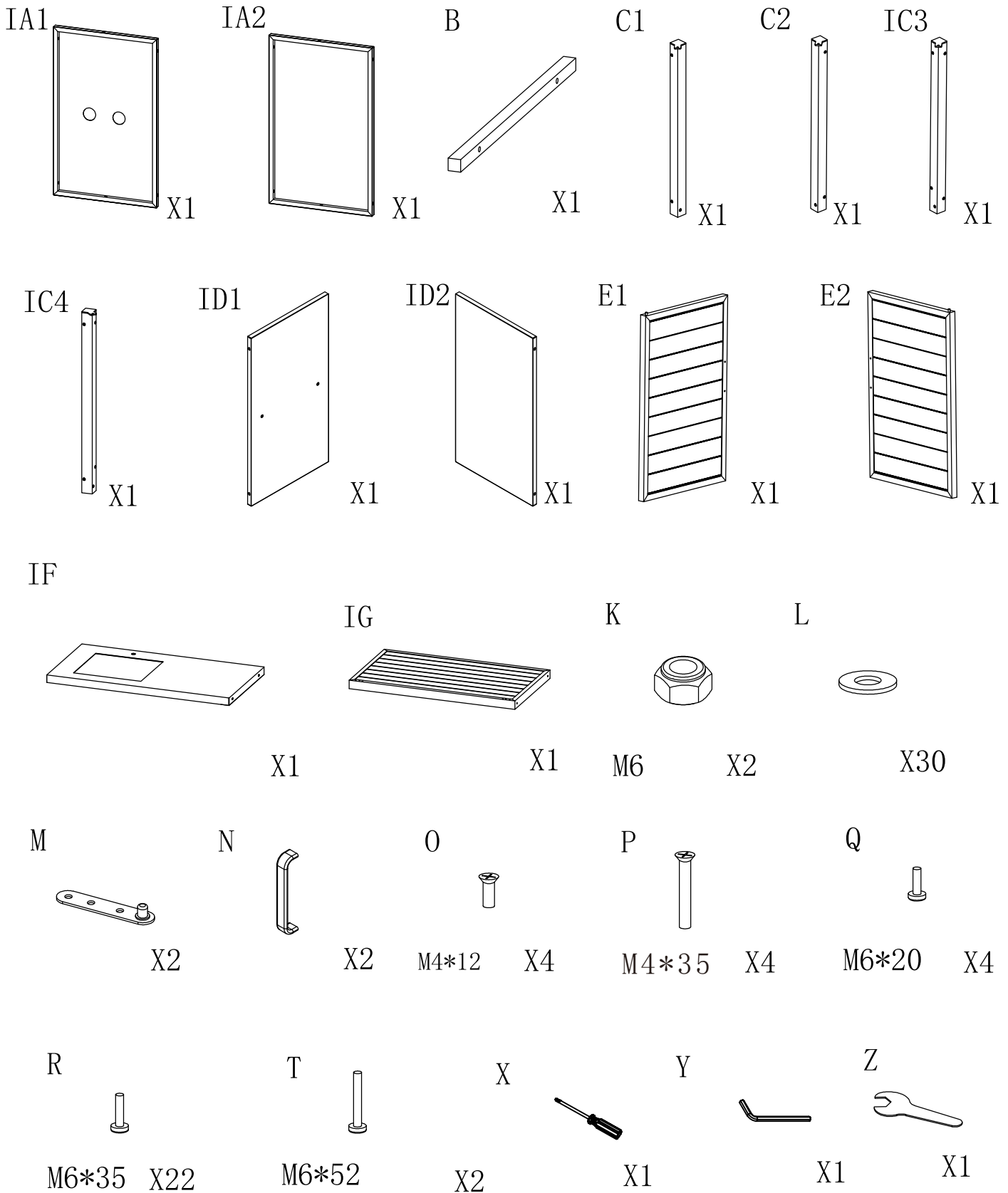
SKU: LTFA5559



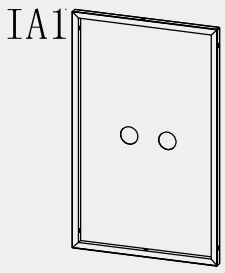
Outdoor Kitchen Sink Assembly



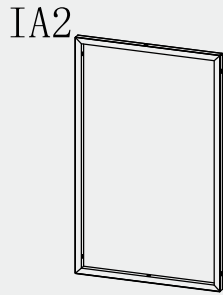
parts and components



Step 1



X1



X1

L



X4

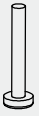
K



M6

X2

T



M6*52

X2

Y

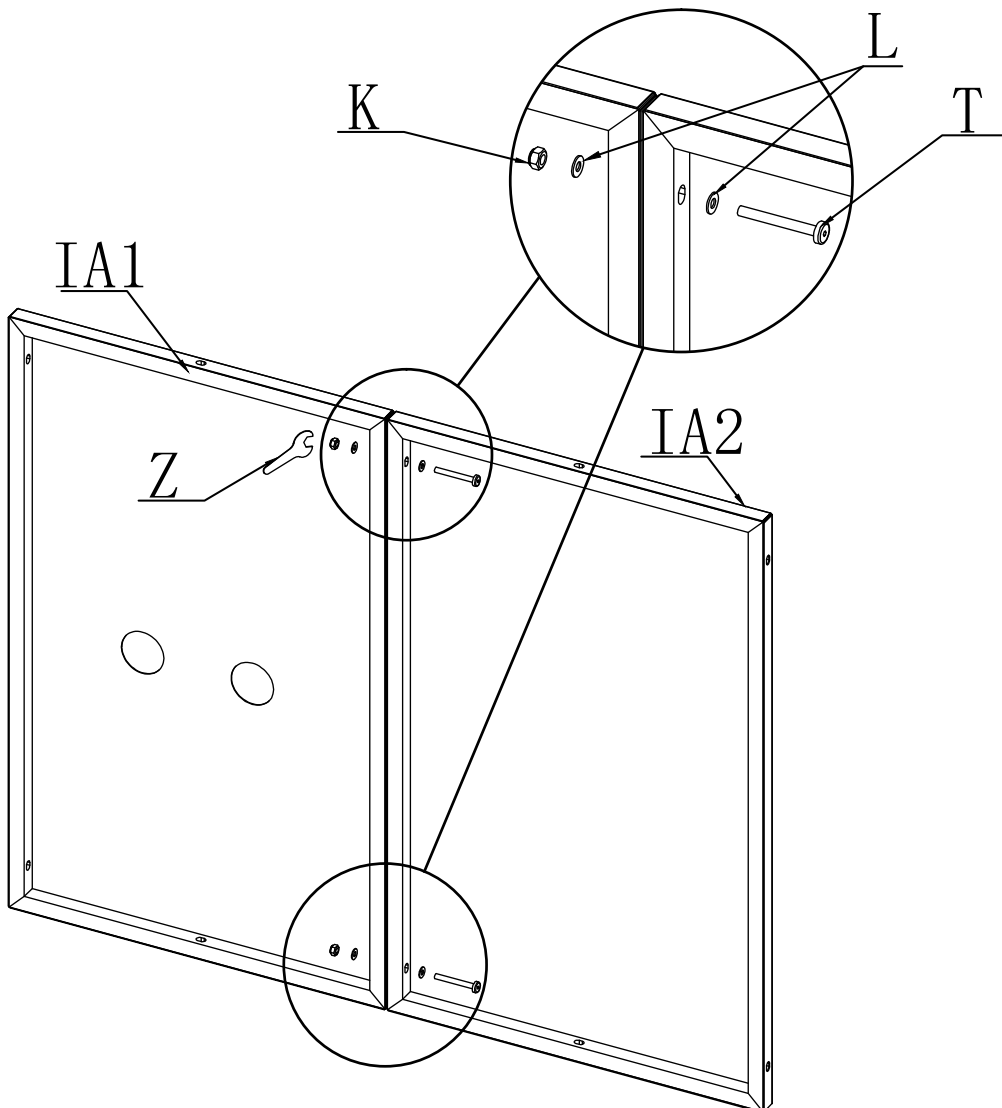


X1

Z

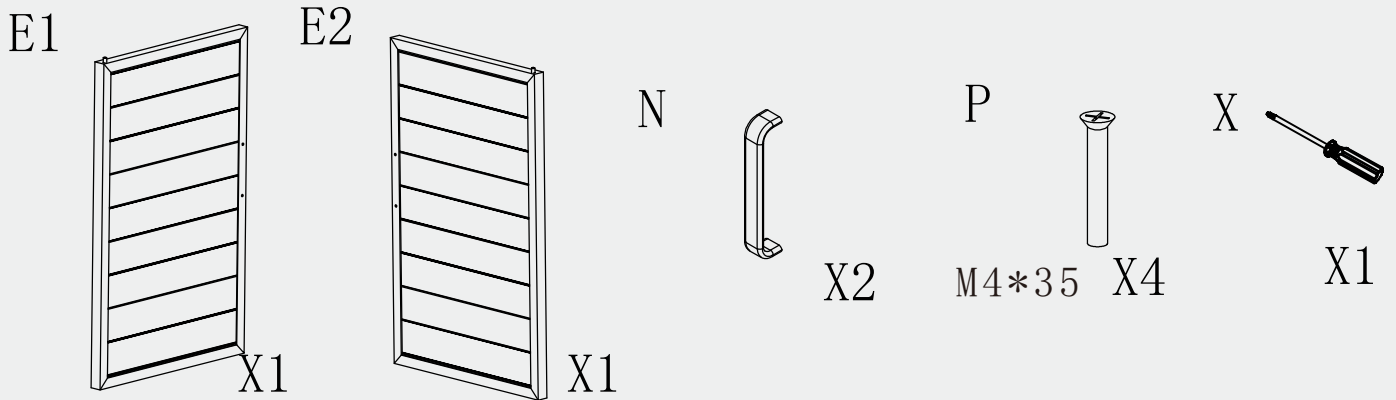


X1

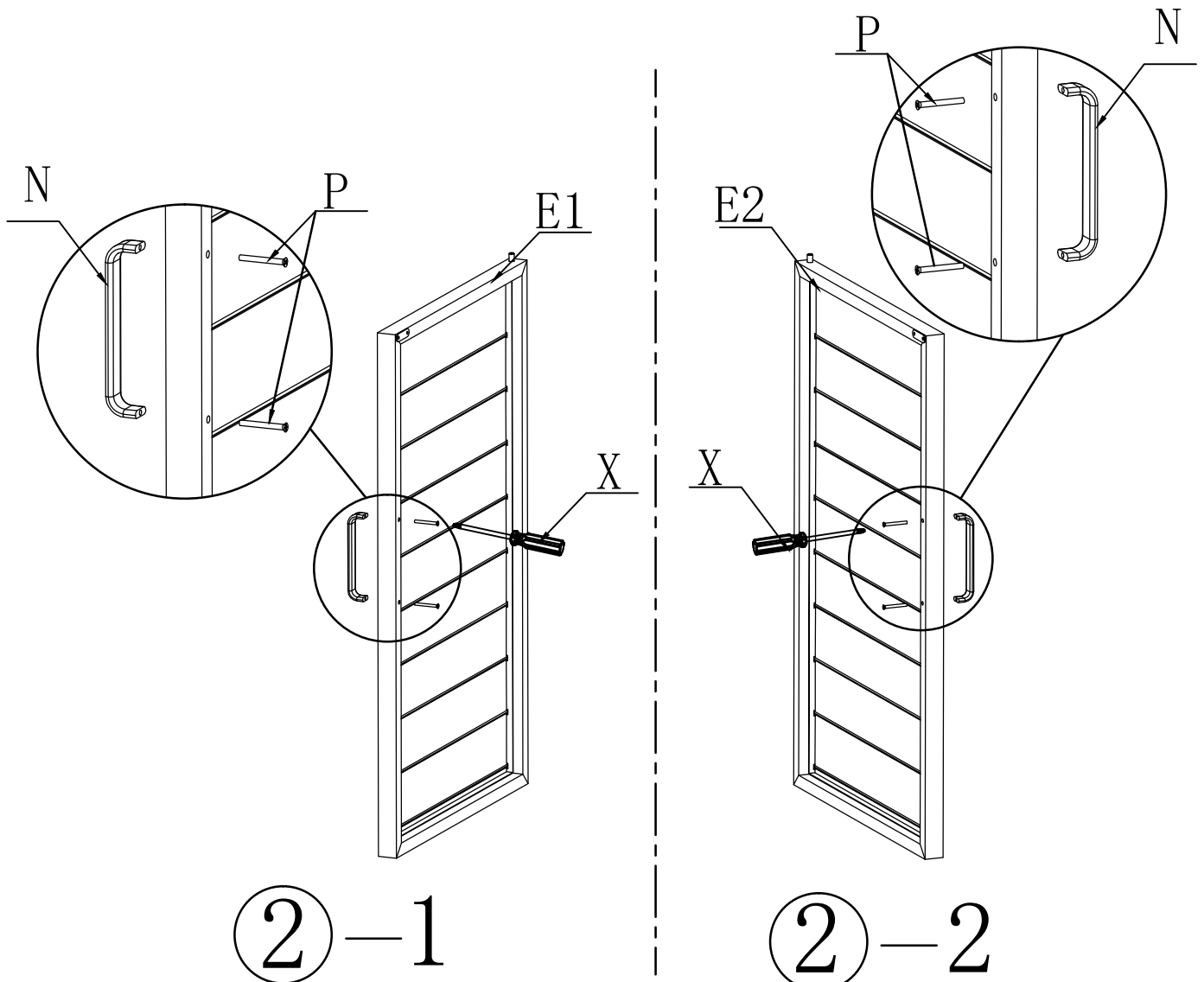


1

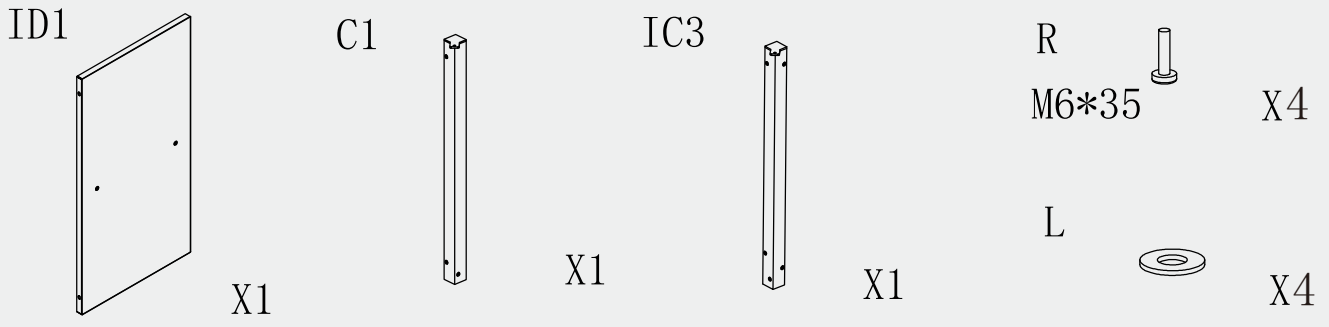
Step 2



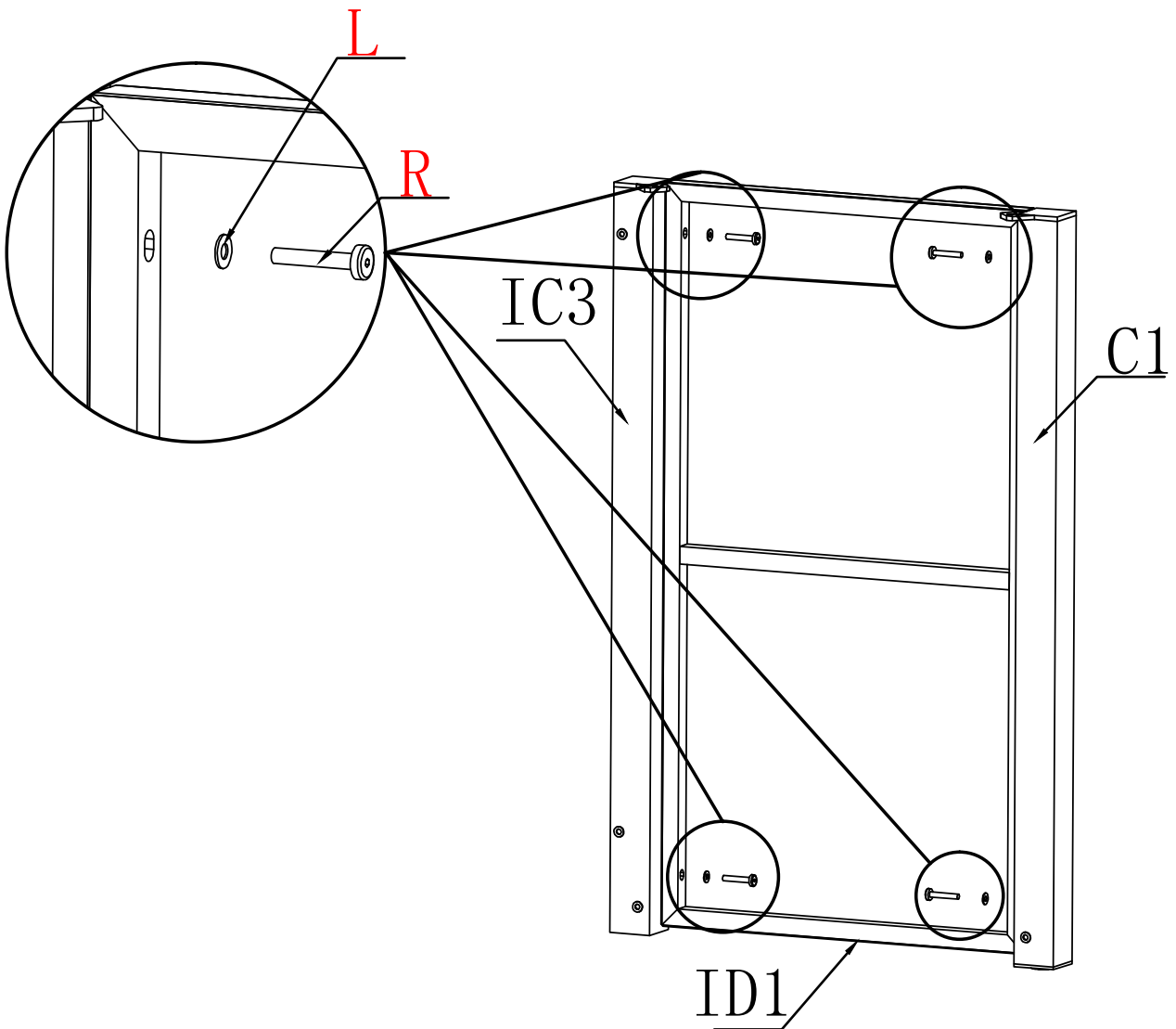
Note: Before installation, please note to distinguish the left and right sides to avoid reverse assembly.



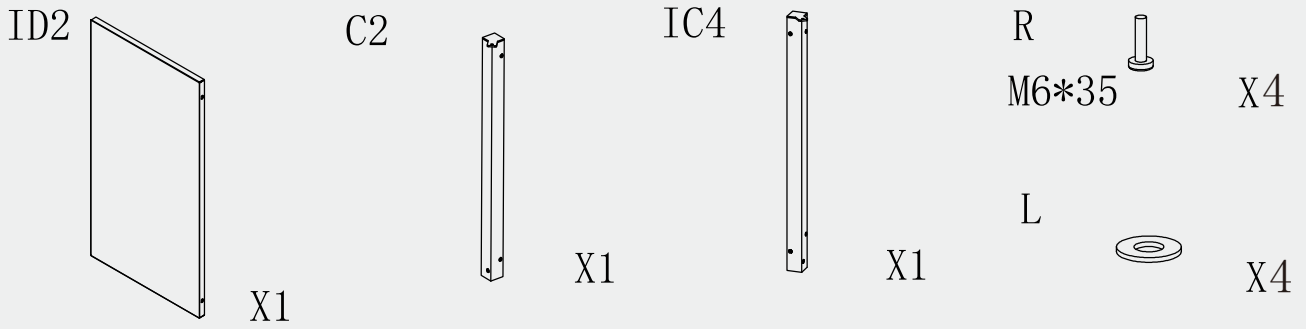
Step 3-1



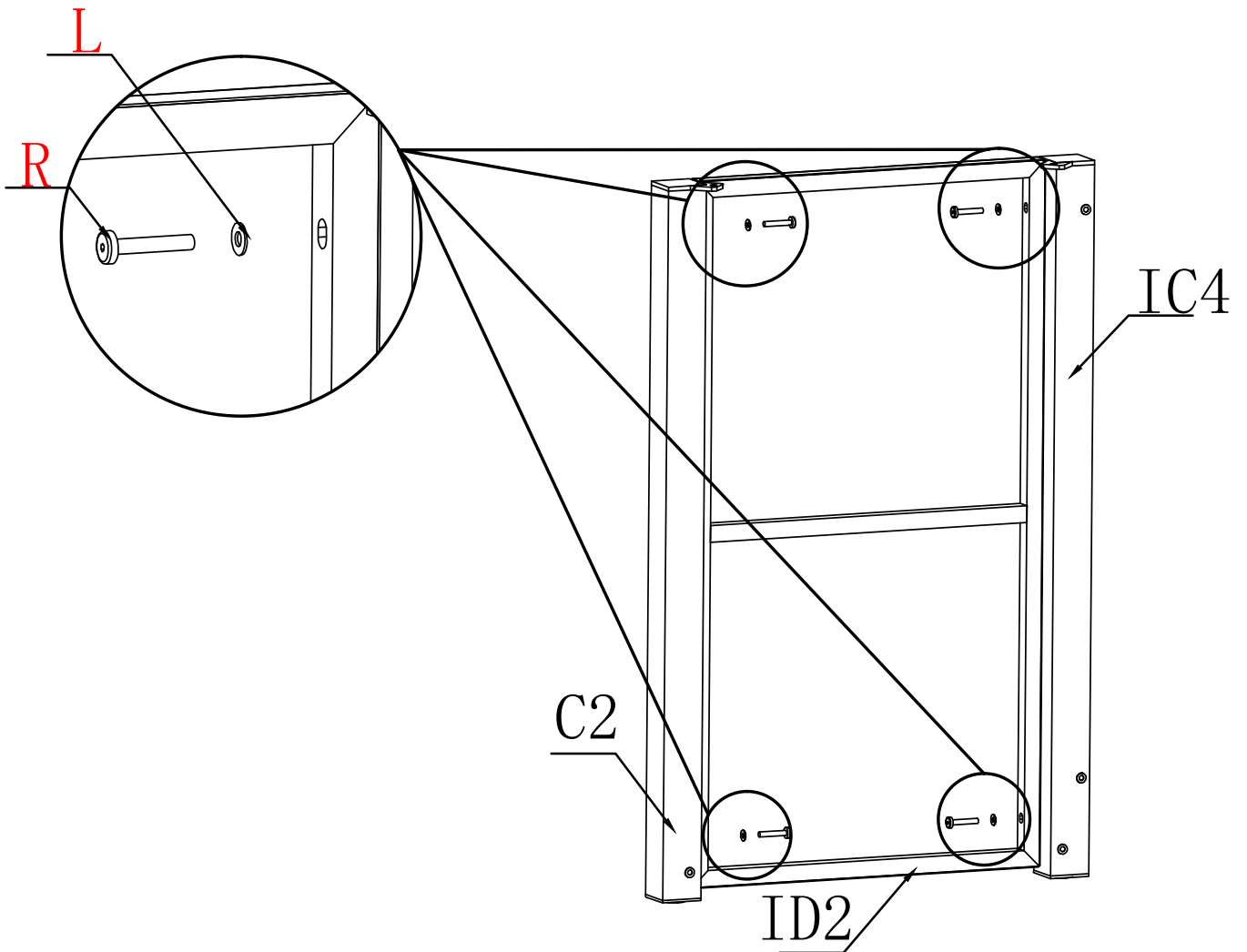
③-1



Step 3-2

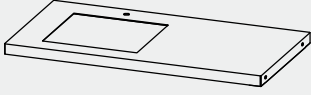


③-2



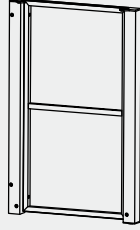
Step 4

IF



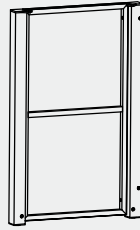
X1

③-1



X1

③-2



X1

L



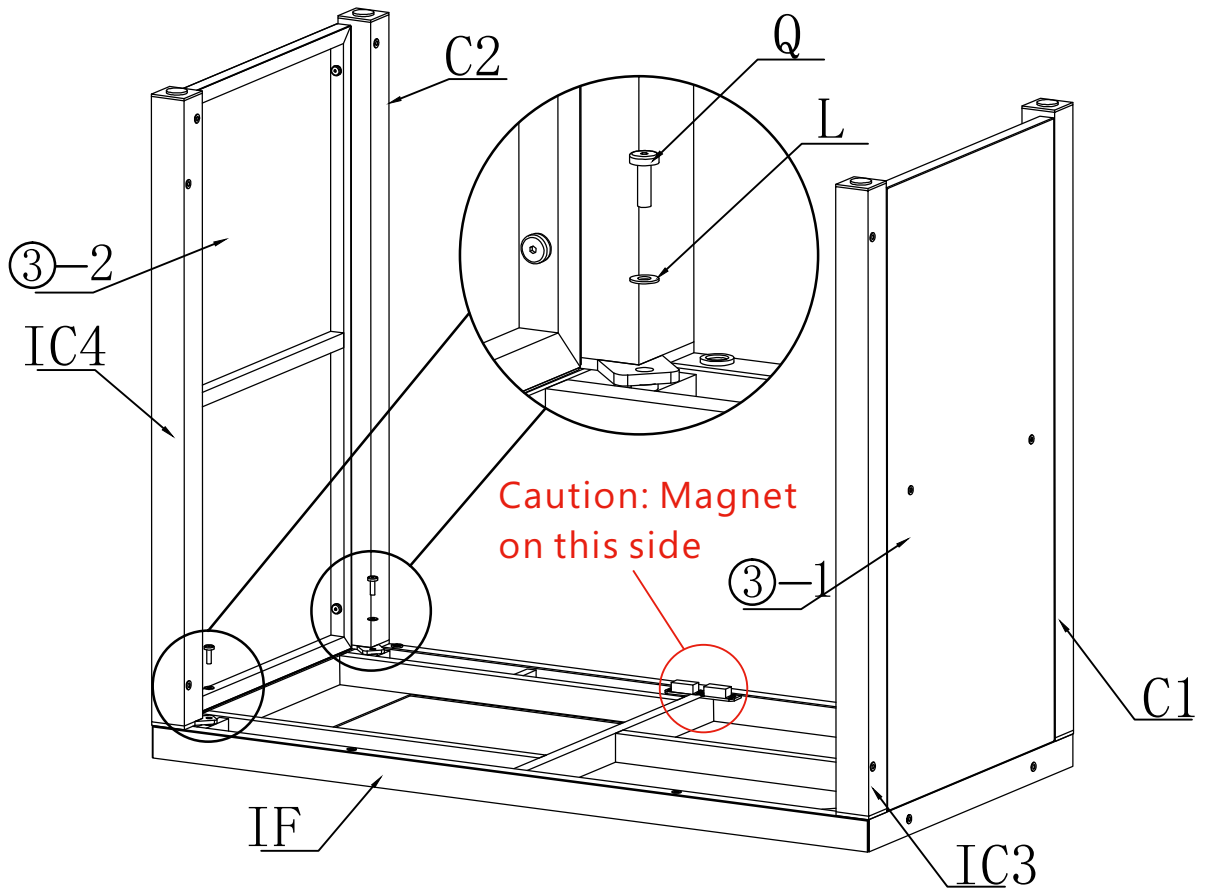
X4

Q



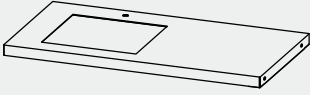
M6*20

X4



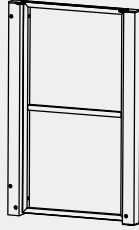
Step 5

IF



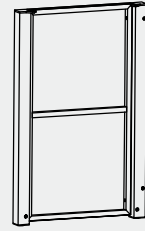
X1

③-1



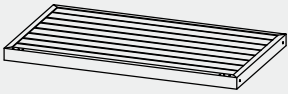
X1

③-2



X1

IG



X1

R



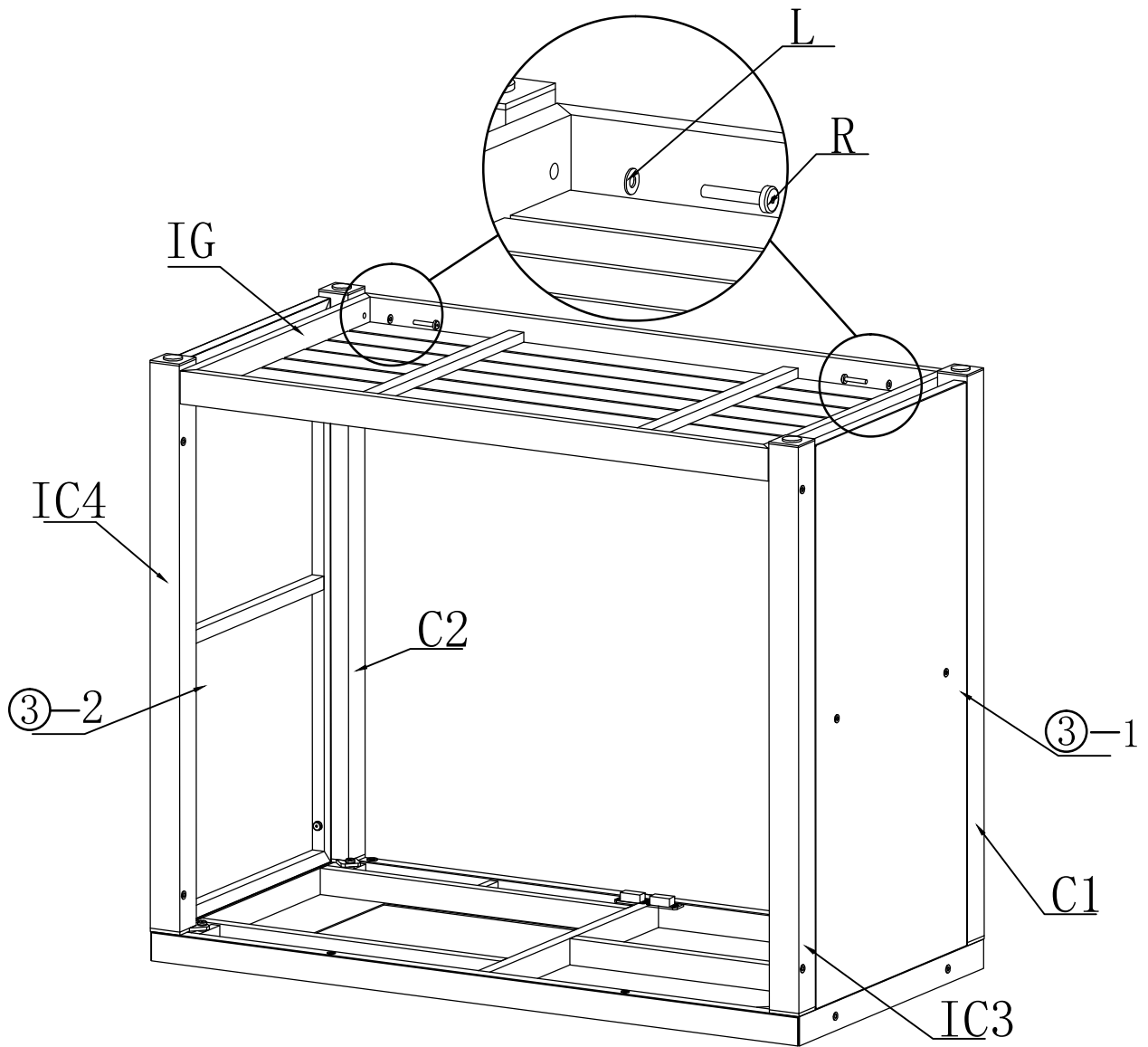
M6*35

X4

L

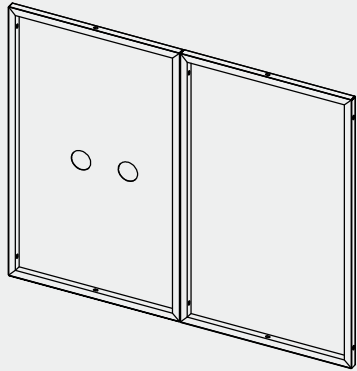


X4



Step 6

1



X1

R

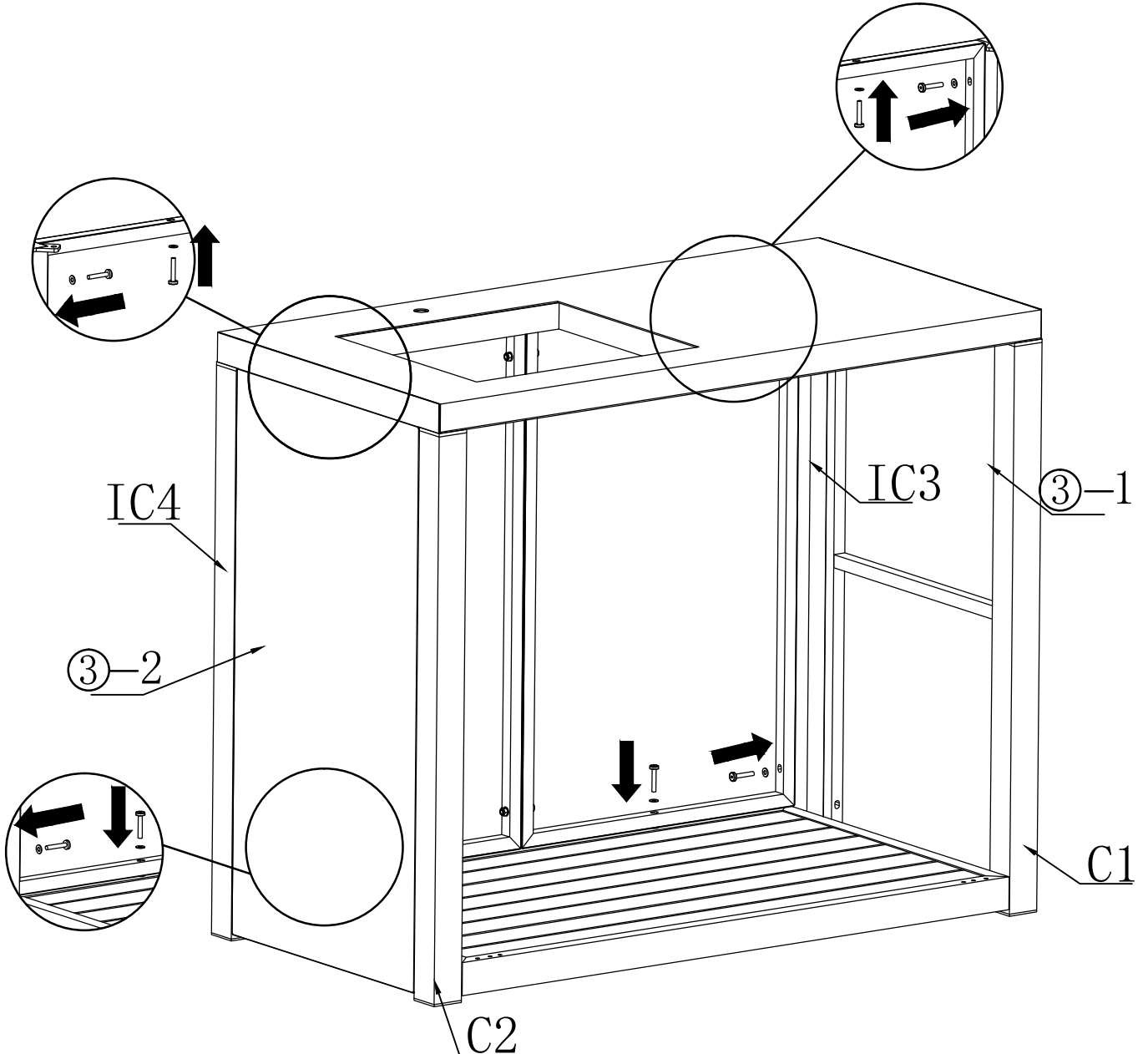
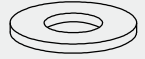
M6*35

X8



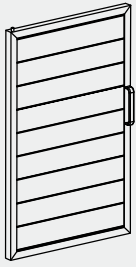
L

X8

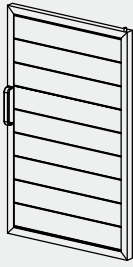


Step 7

②-1



②-2



M



X2

O

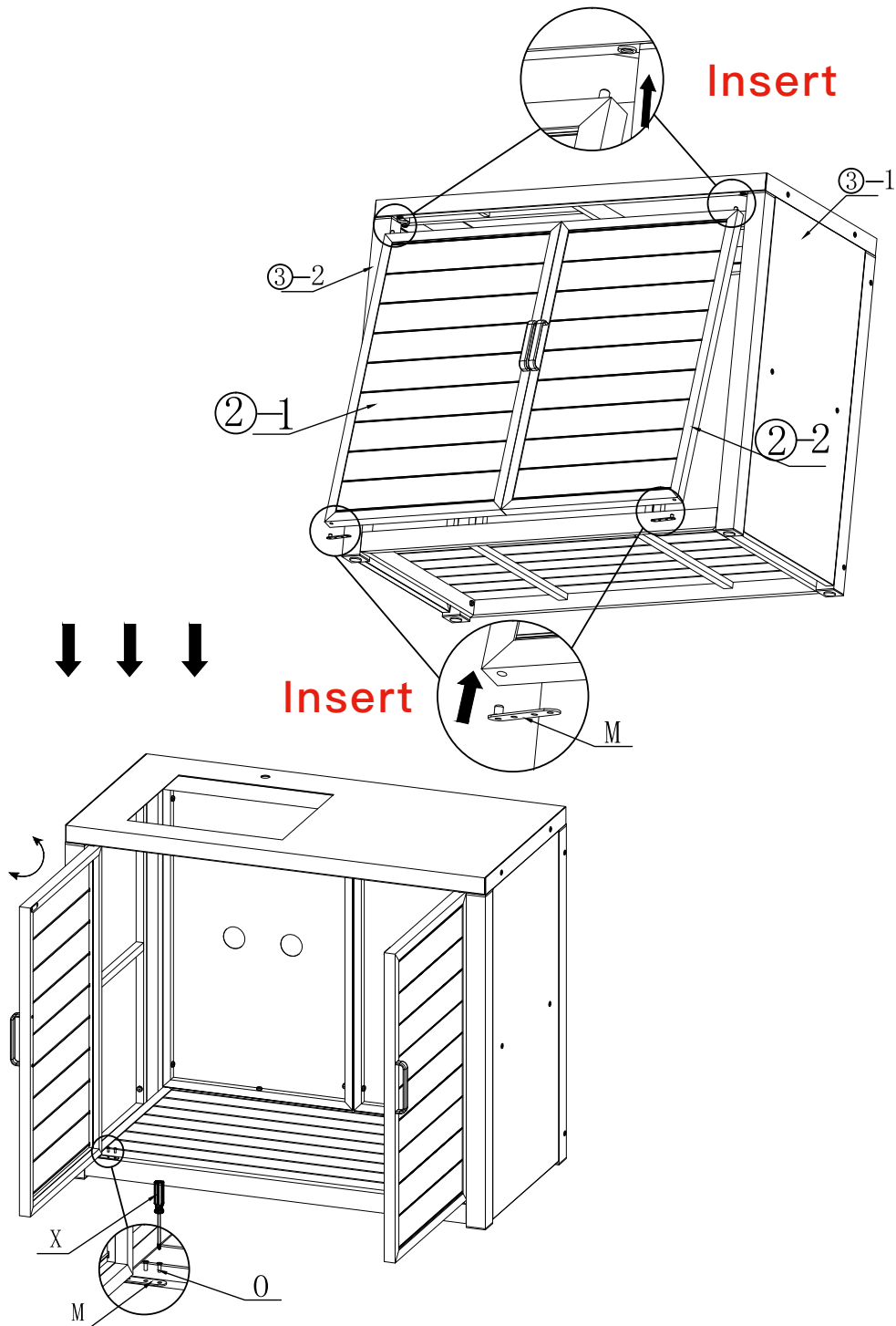


M4*12 X4

X

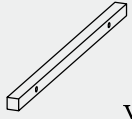


X1



Step 8

B



X1

L



X2

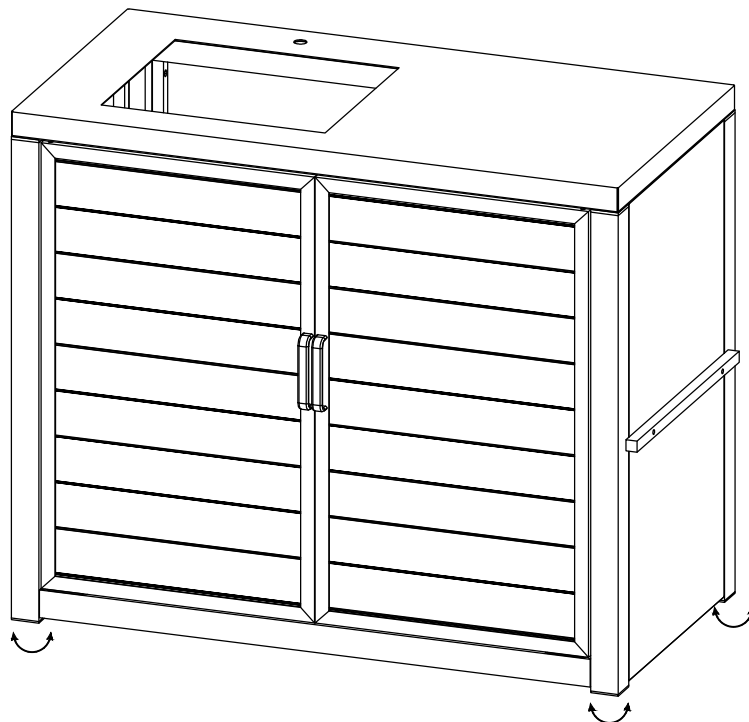
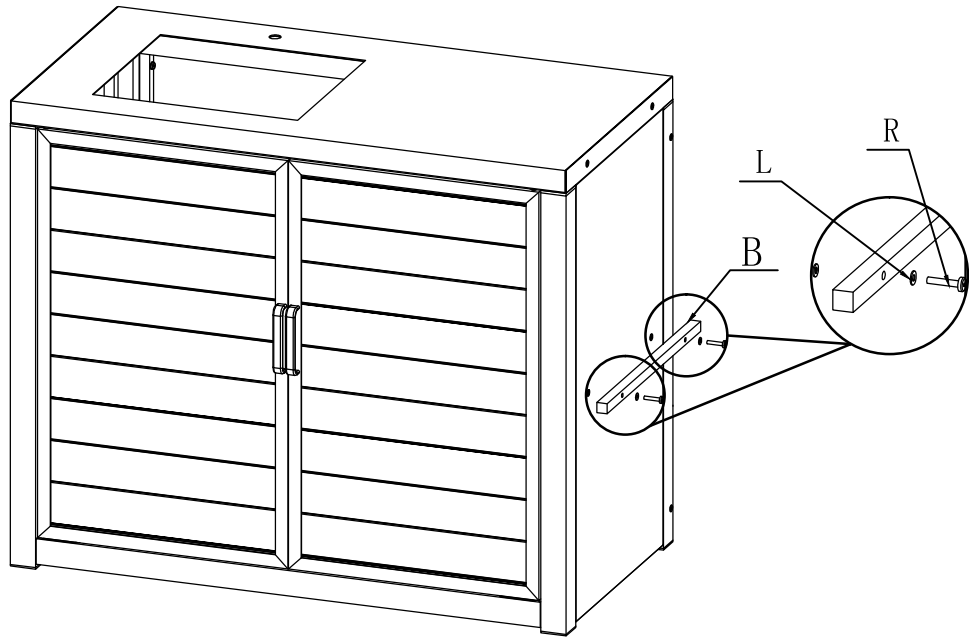
R



M6*35

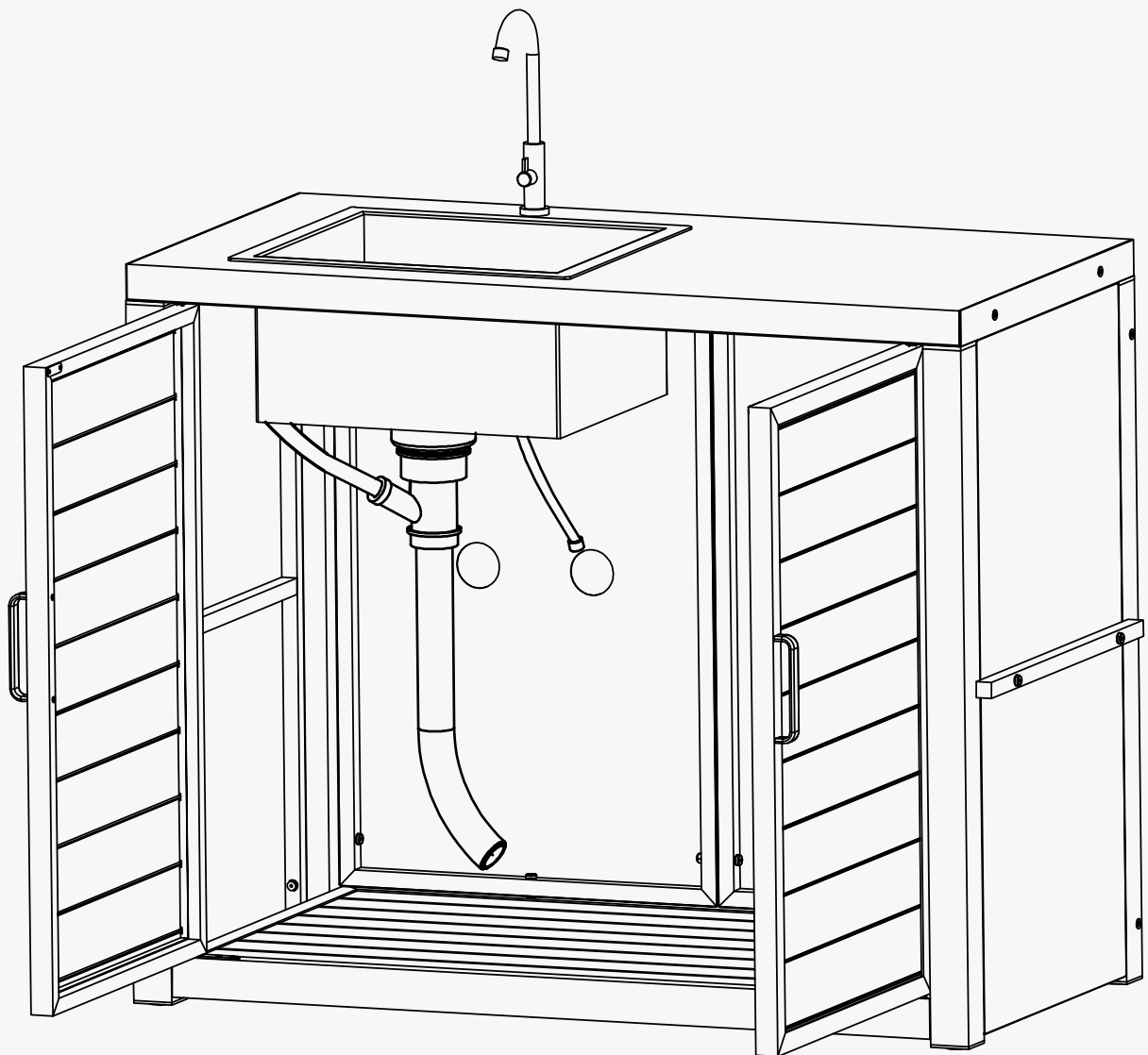
X2

Note: Washers #L must be used



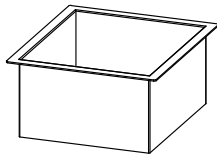
Rotatable

Outdoor Kitchen Sinkware Assembly



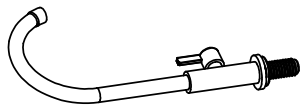
parts and components

a



X1

b



X1

c



X1

d



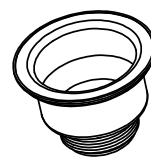
X1

e



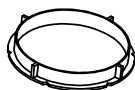
X1

f



X1

g



X1

h



X1

i



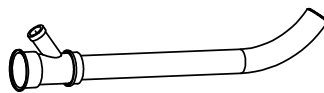
X1

j



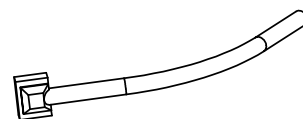
X1

k



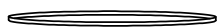
X1

l



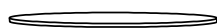
X1

m



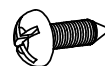
X1

n



X1

o



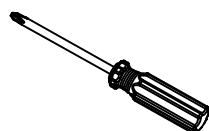
X1

p



X1

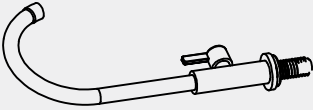
X



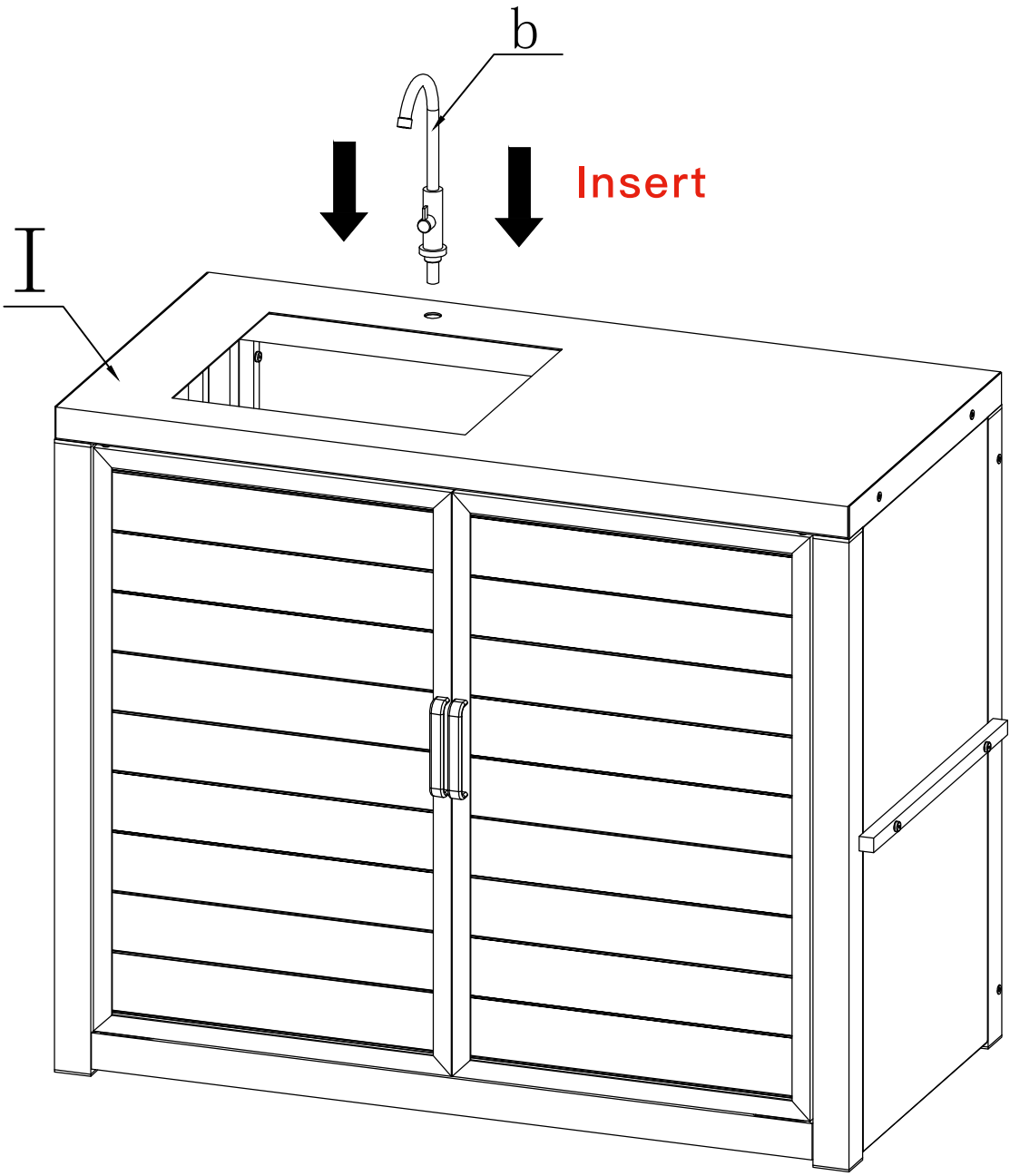
X1

Step 1

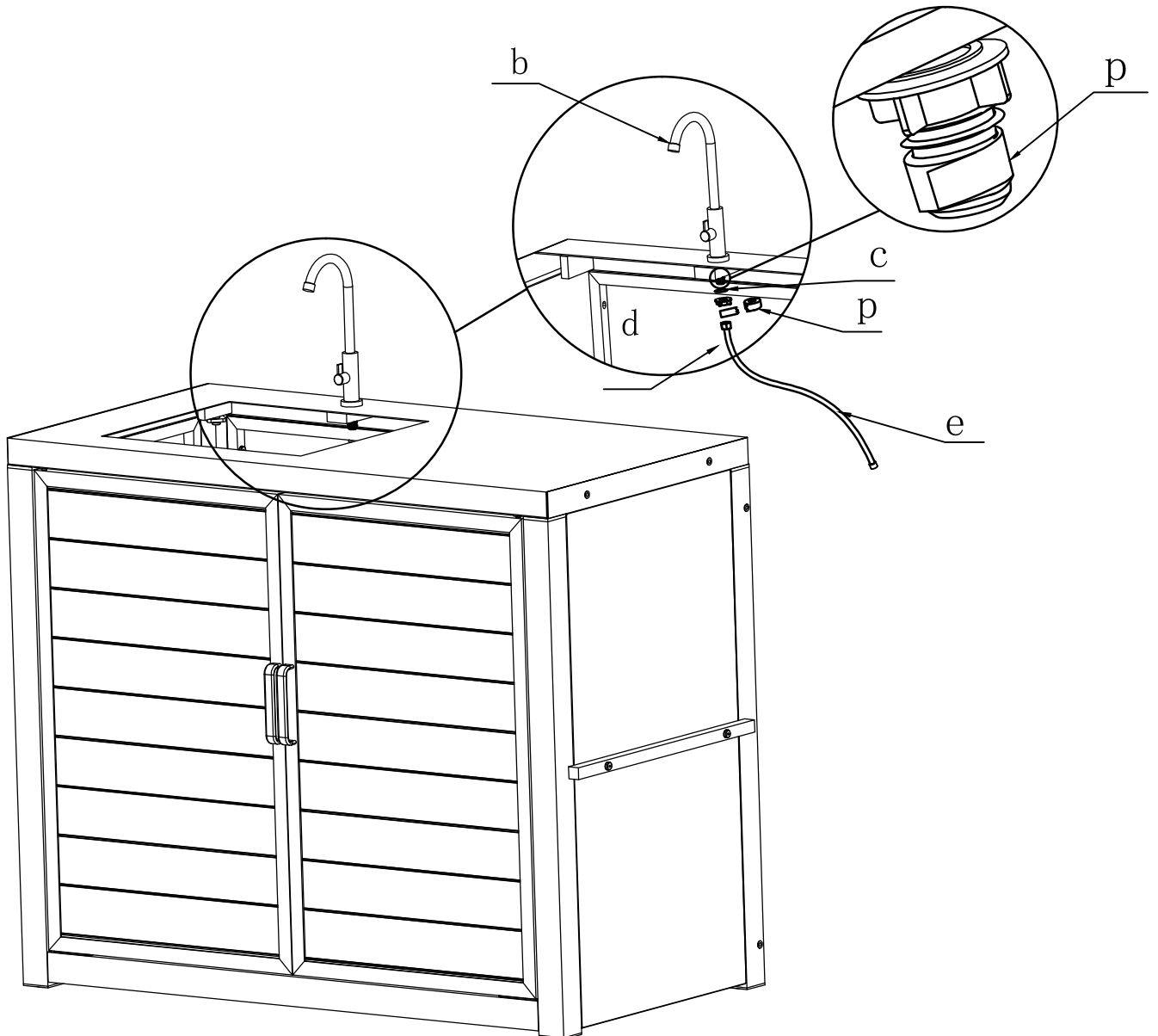
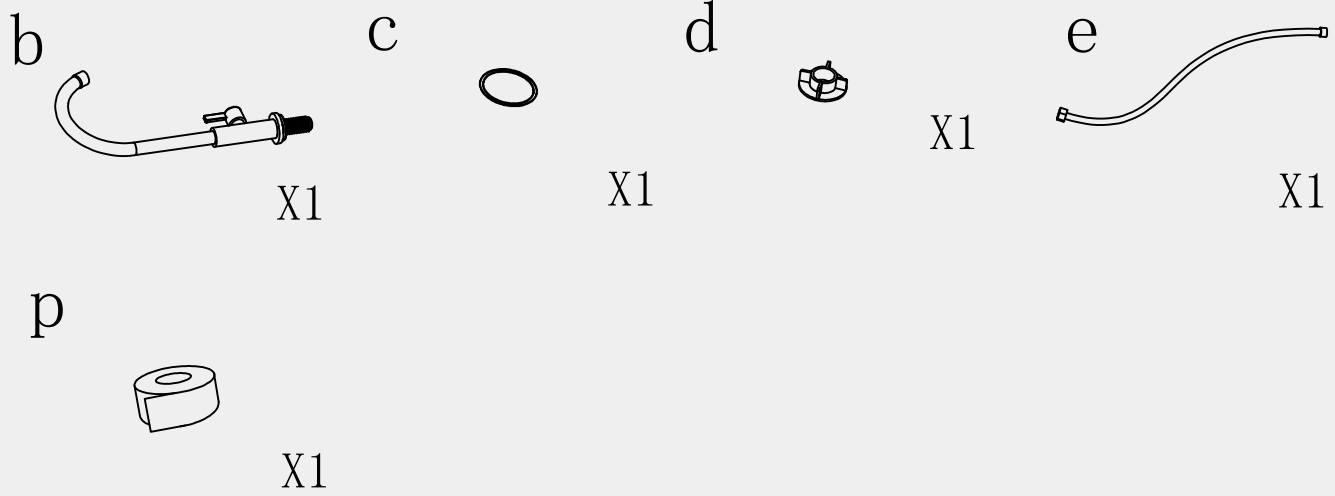
b



X1

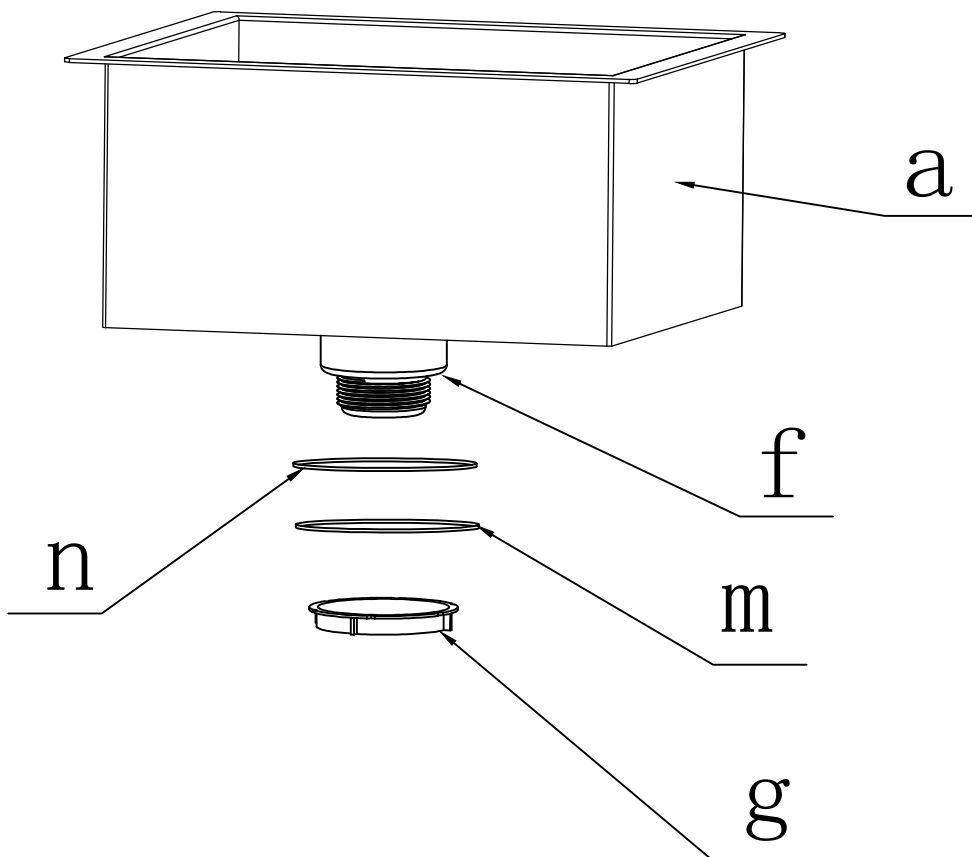
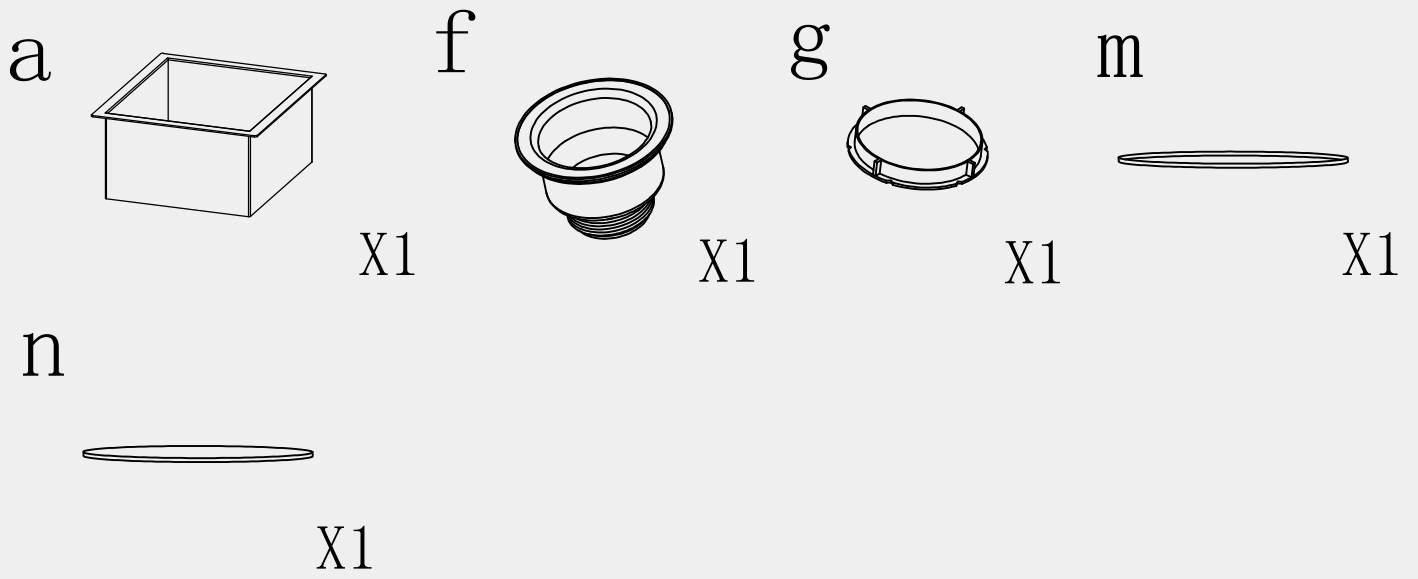


Step 2

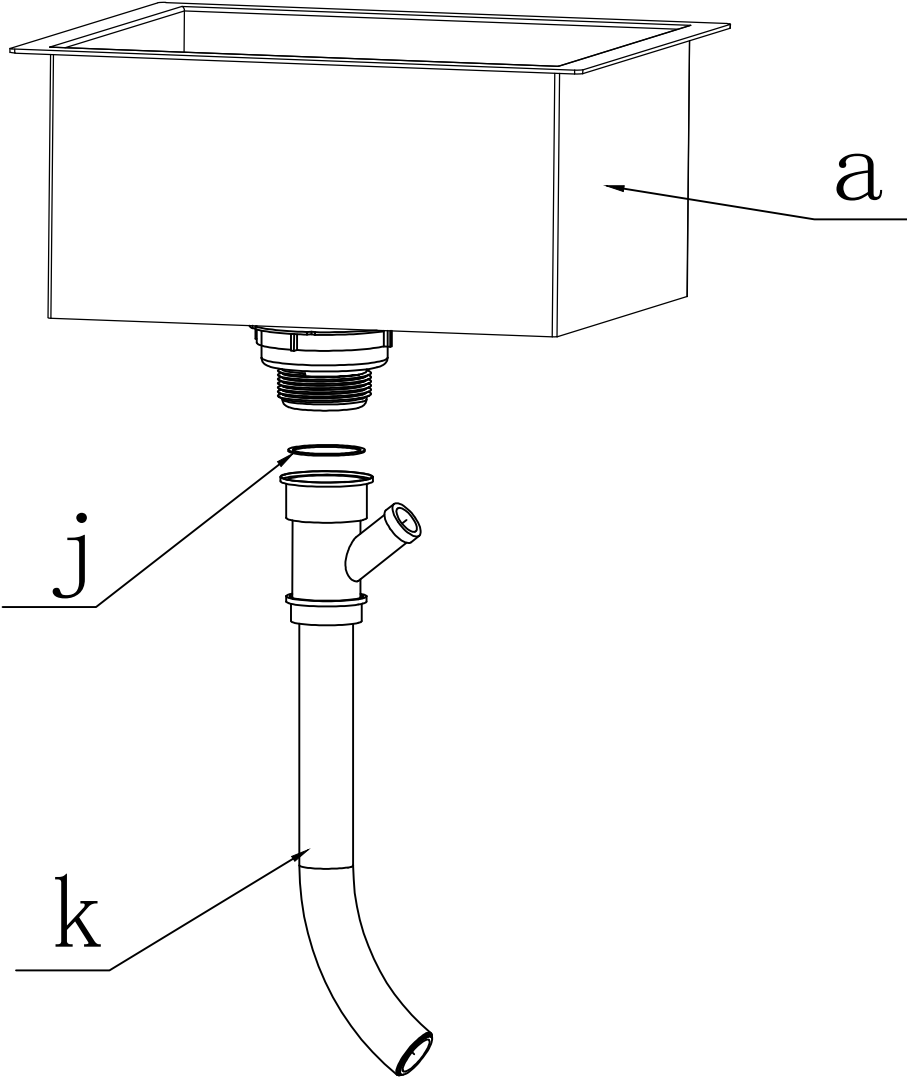
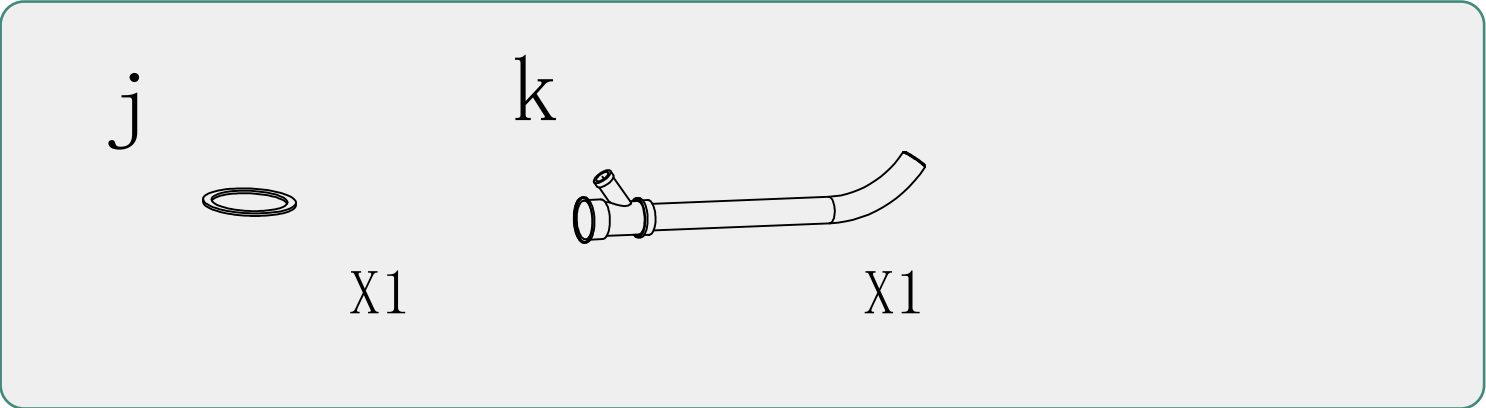


Note: Follow the steps in the diagram; use tape to adhere the connections.

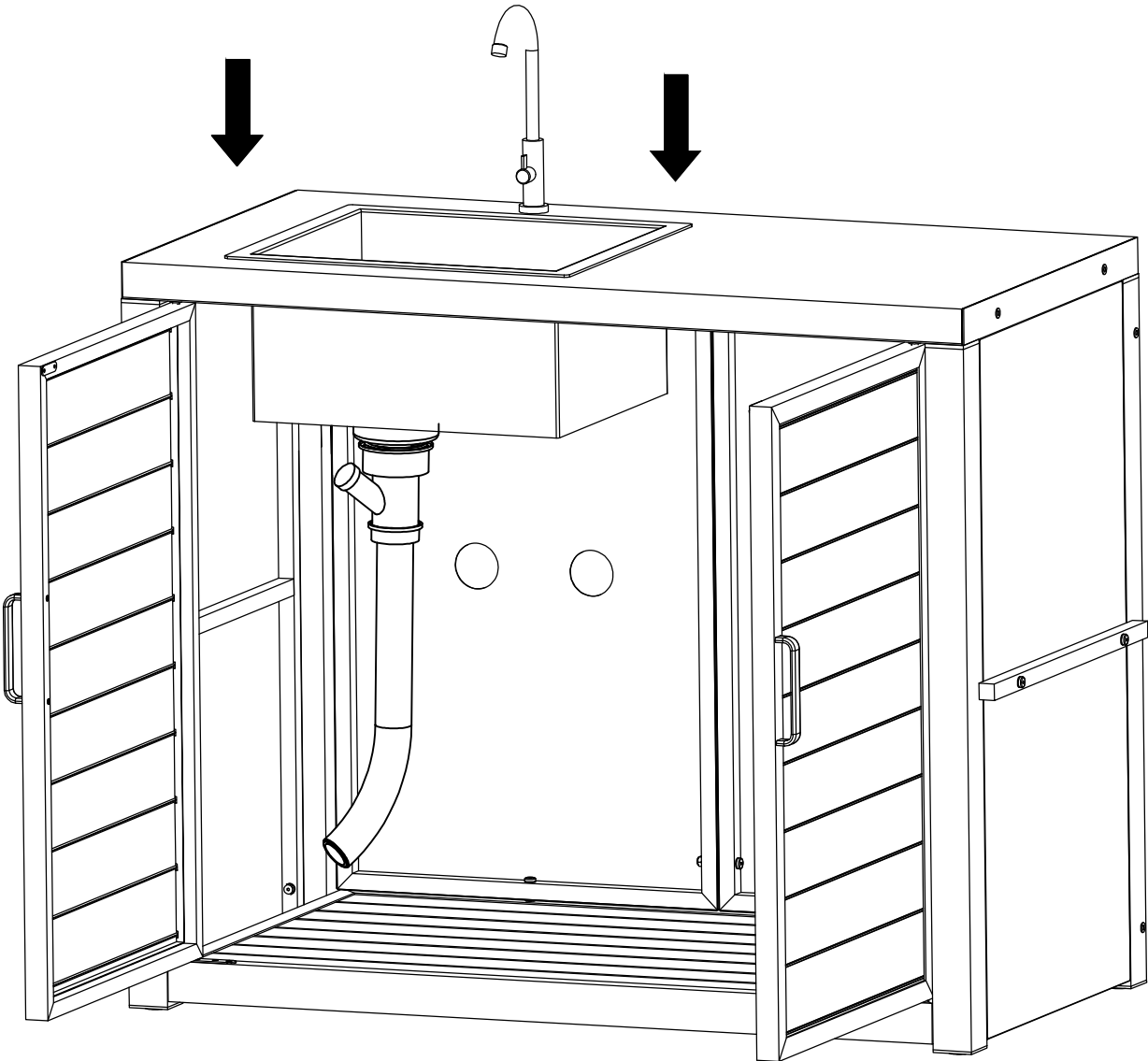
Step 3



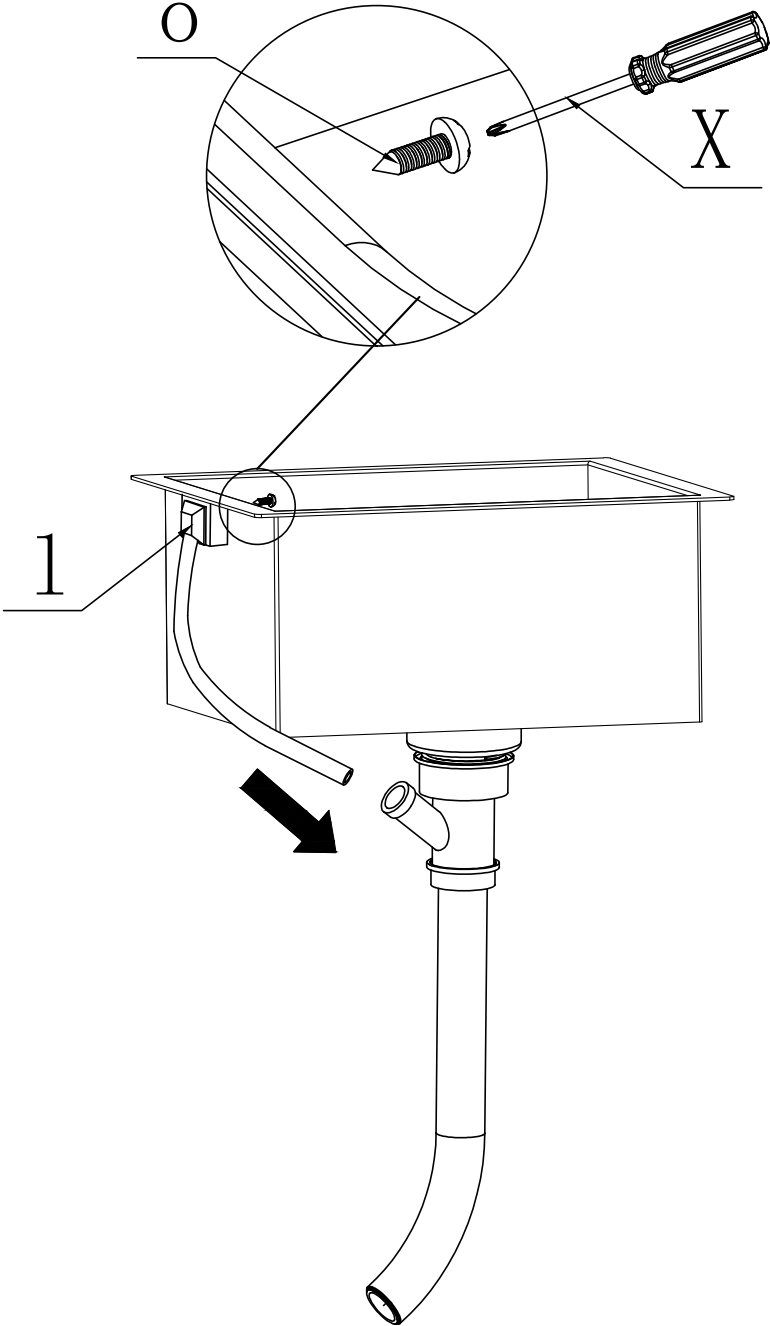
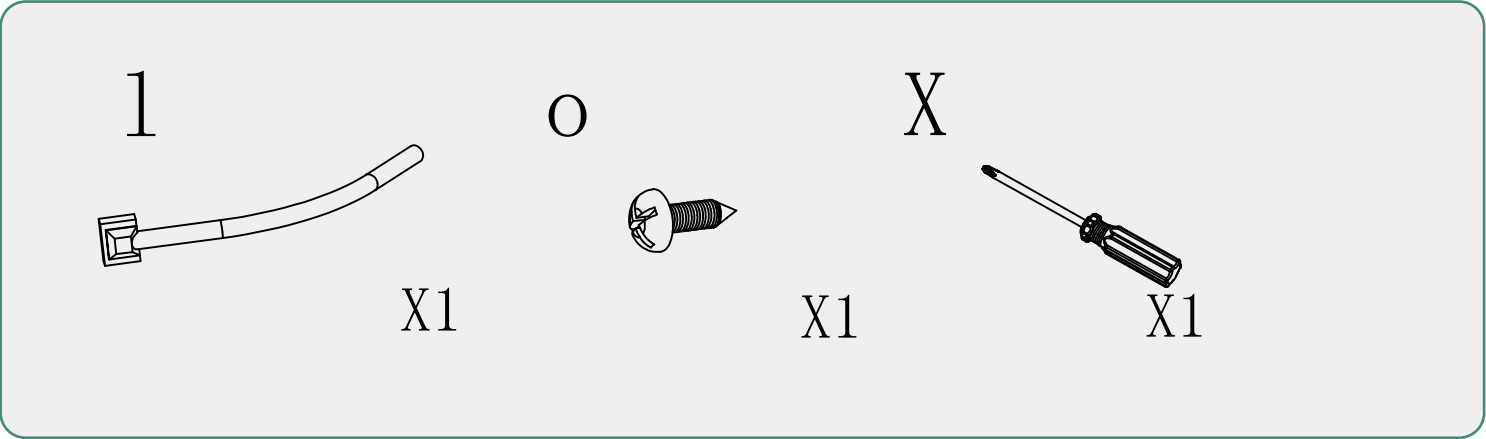
Step 4-1



Step 4-2



Step 5



5

Step 6

h

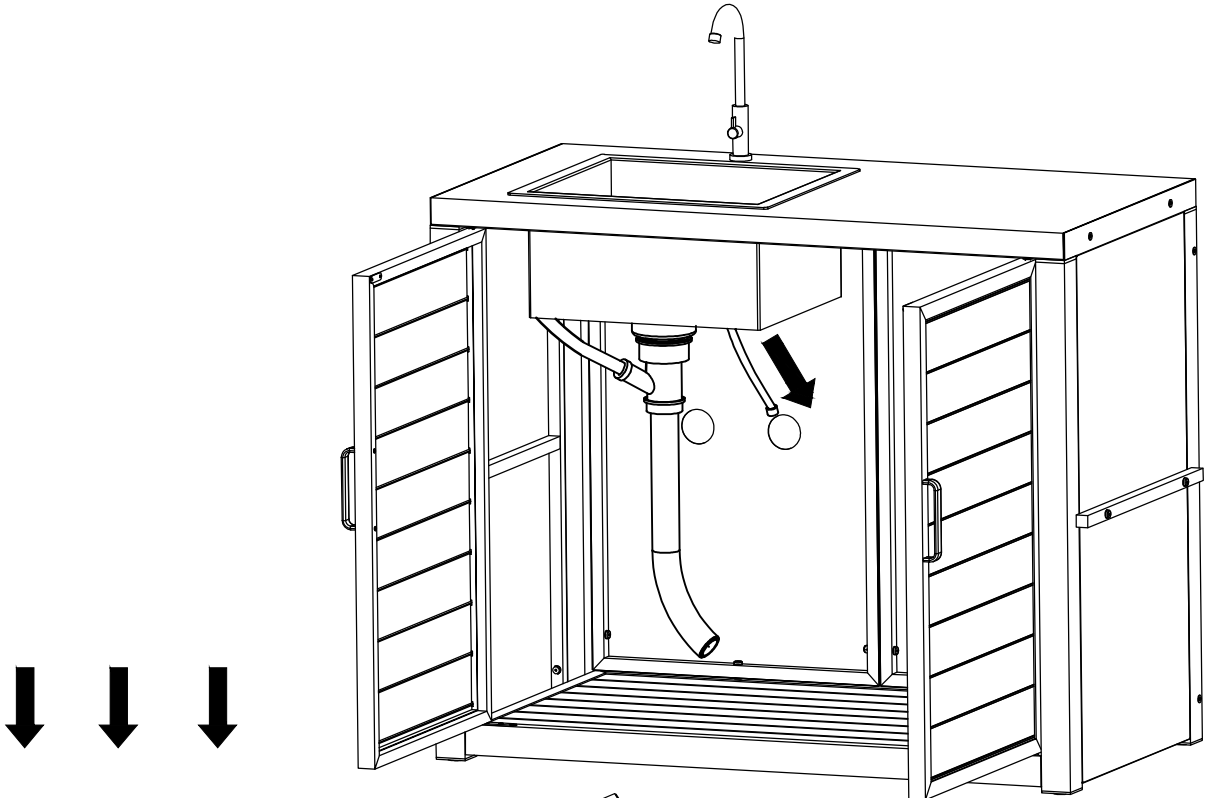


X1

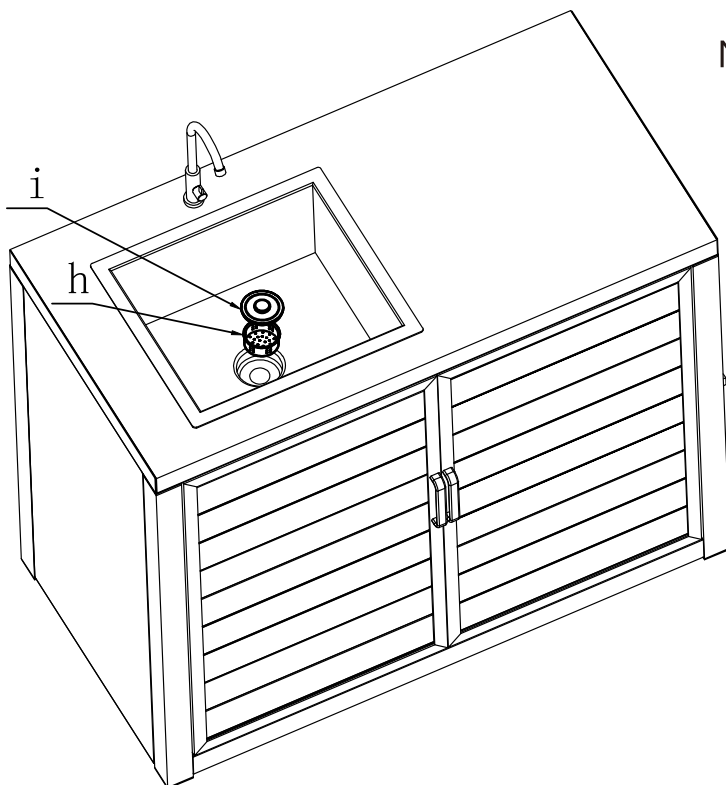
i



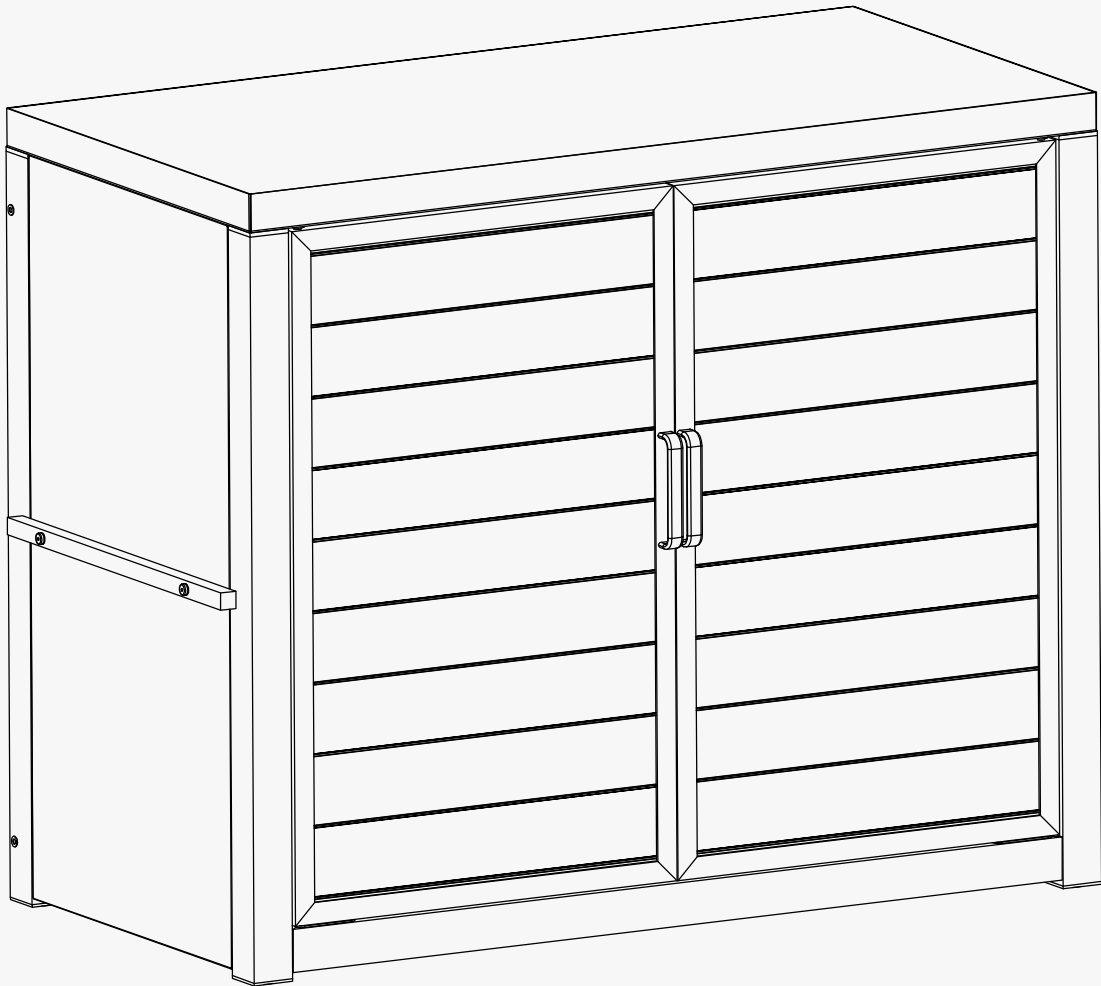
X1



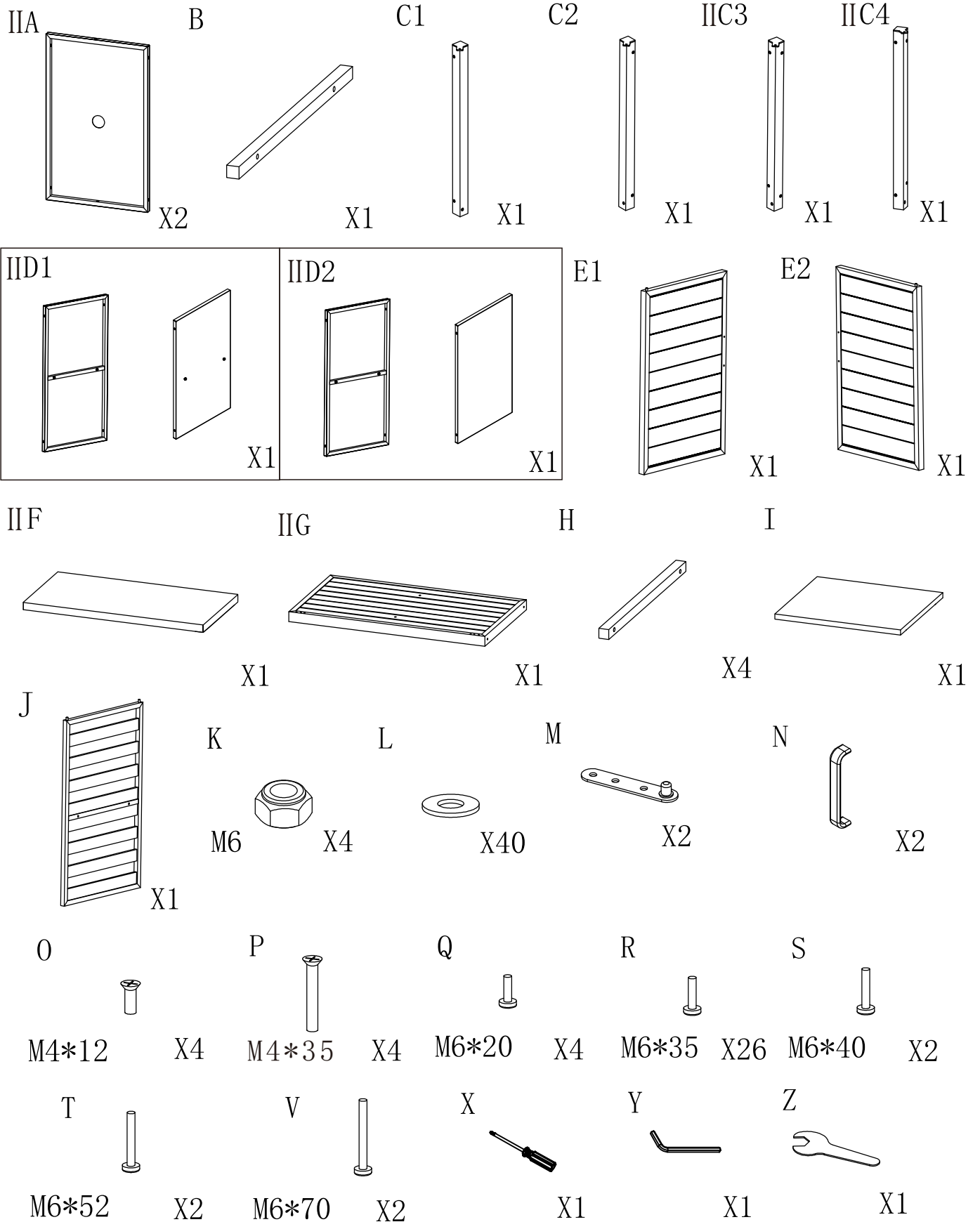
Note: Place in order



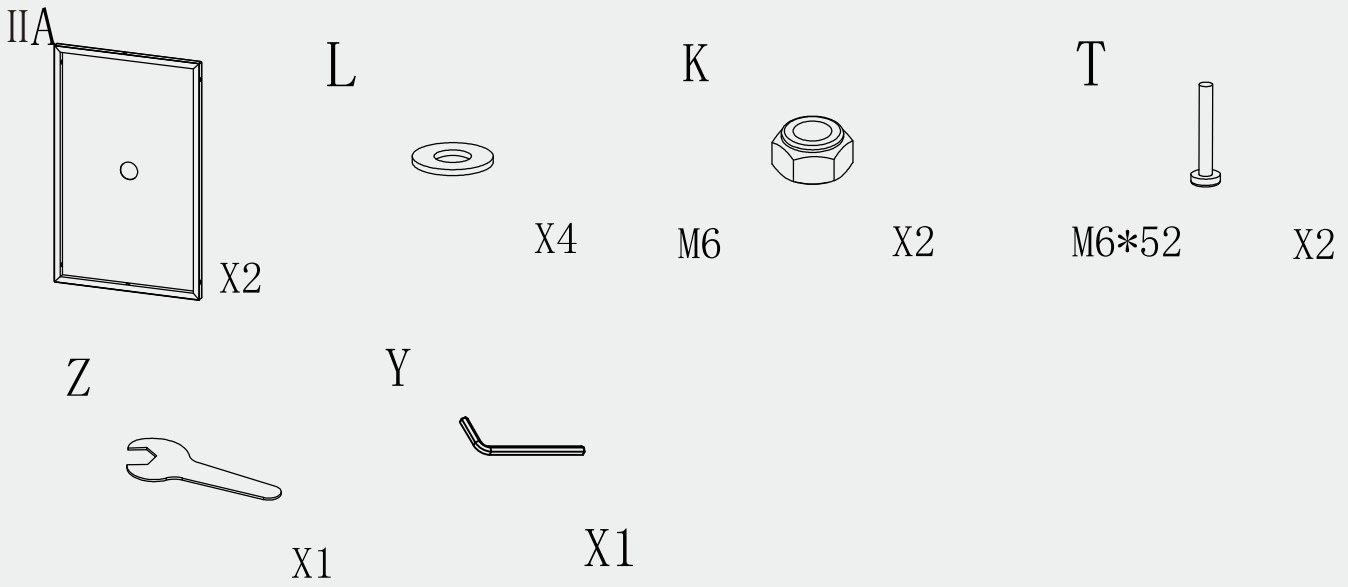
Outdoor Kitchen Cabinet Assembly



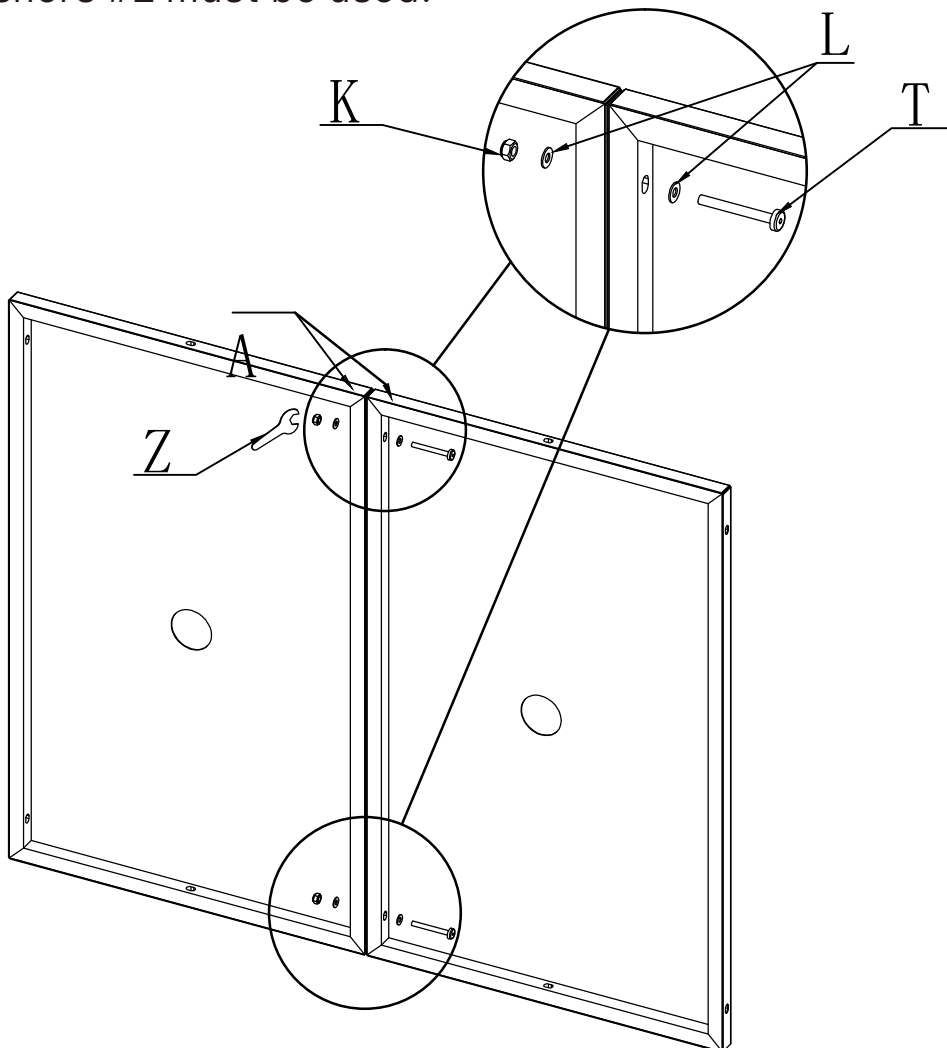
parts and components



Step 1

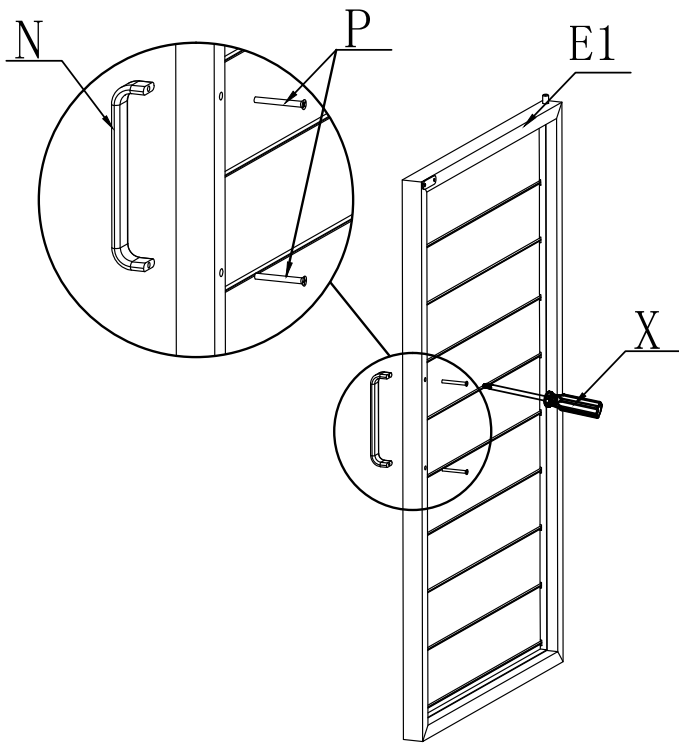
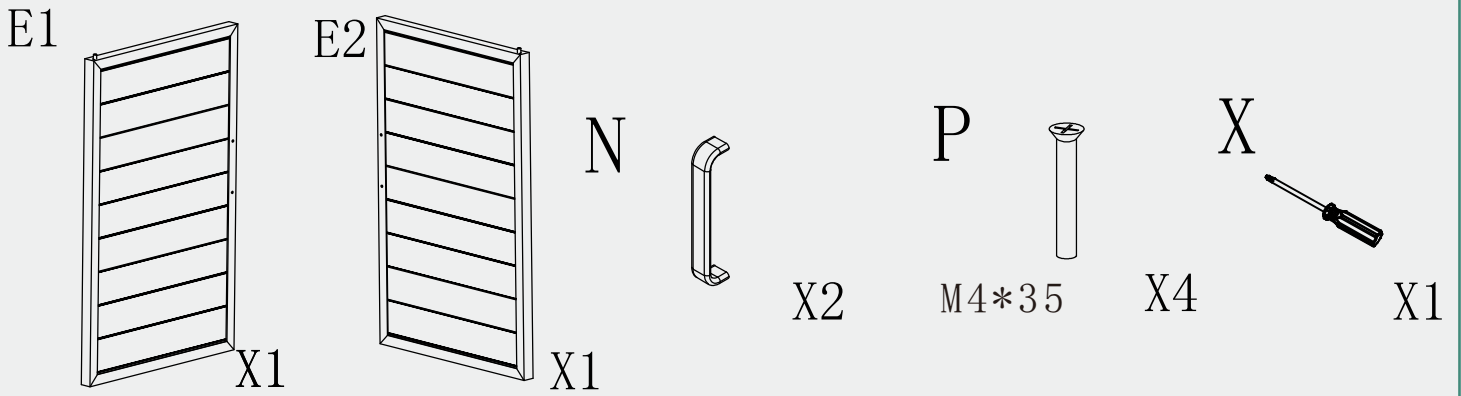


Note: Washers #L must be used.

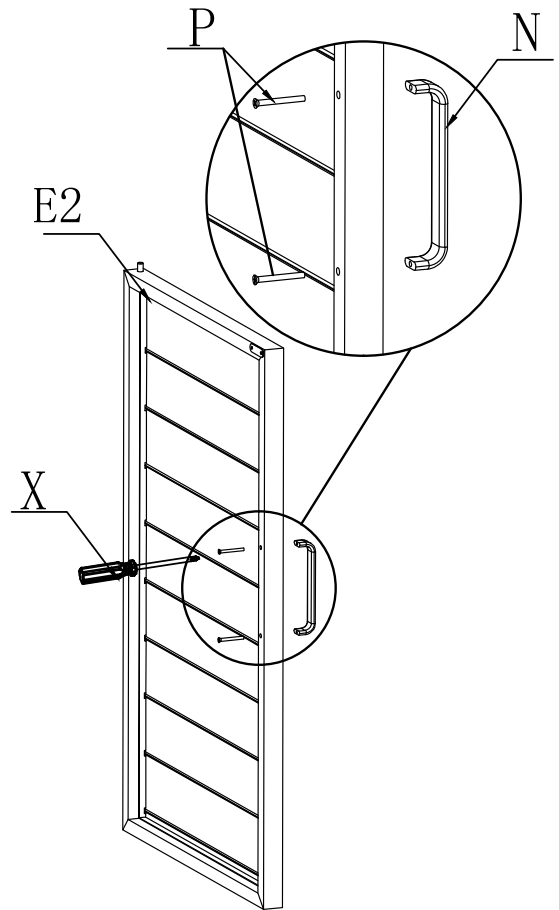


1

Step 2



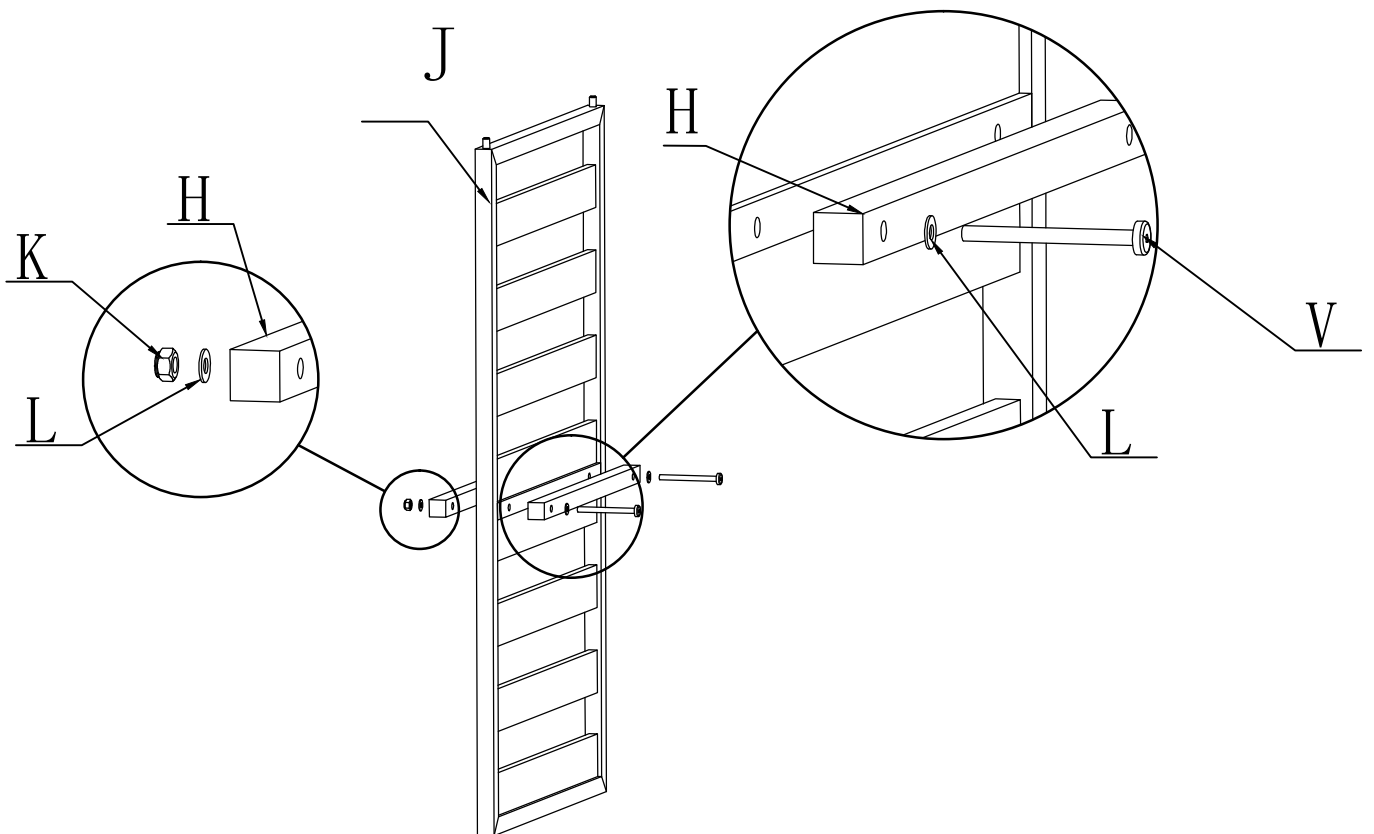
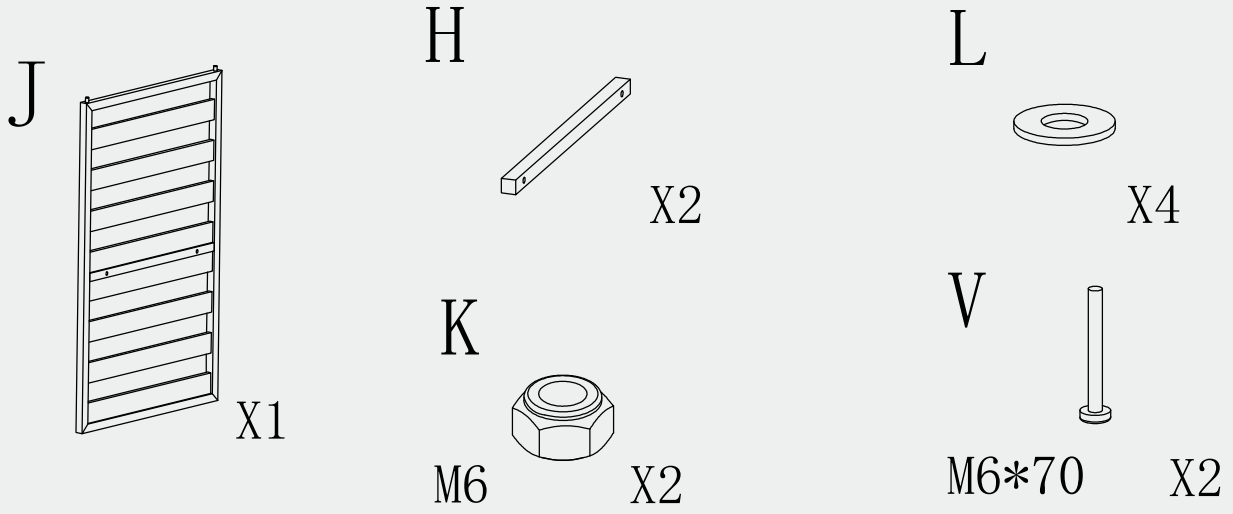
②—1



②—2

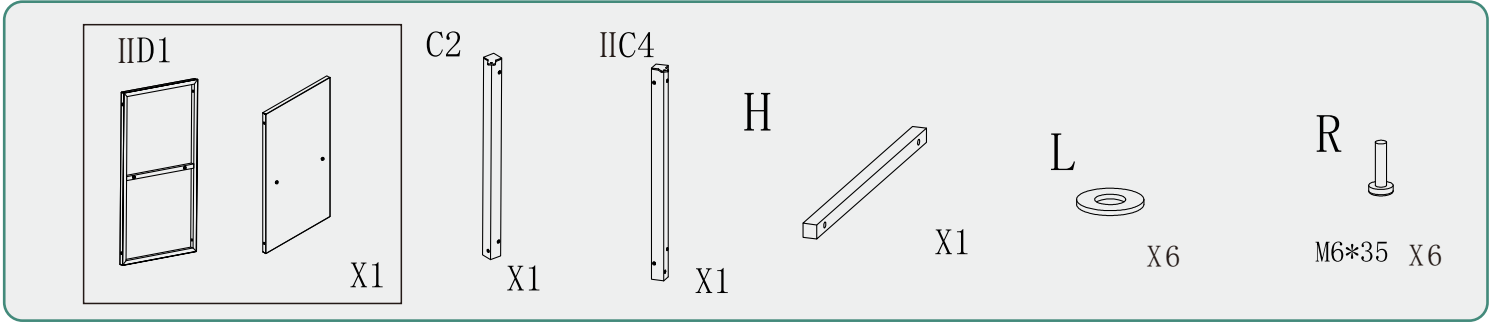
Note: Before installation, please note to distinguish the left and right sides to avoid reverse assembly.

Step 3

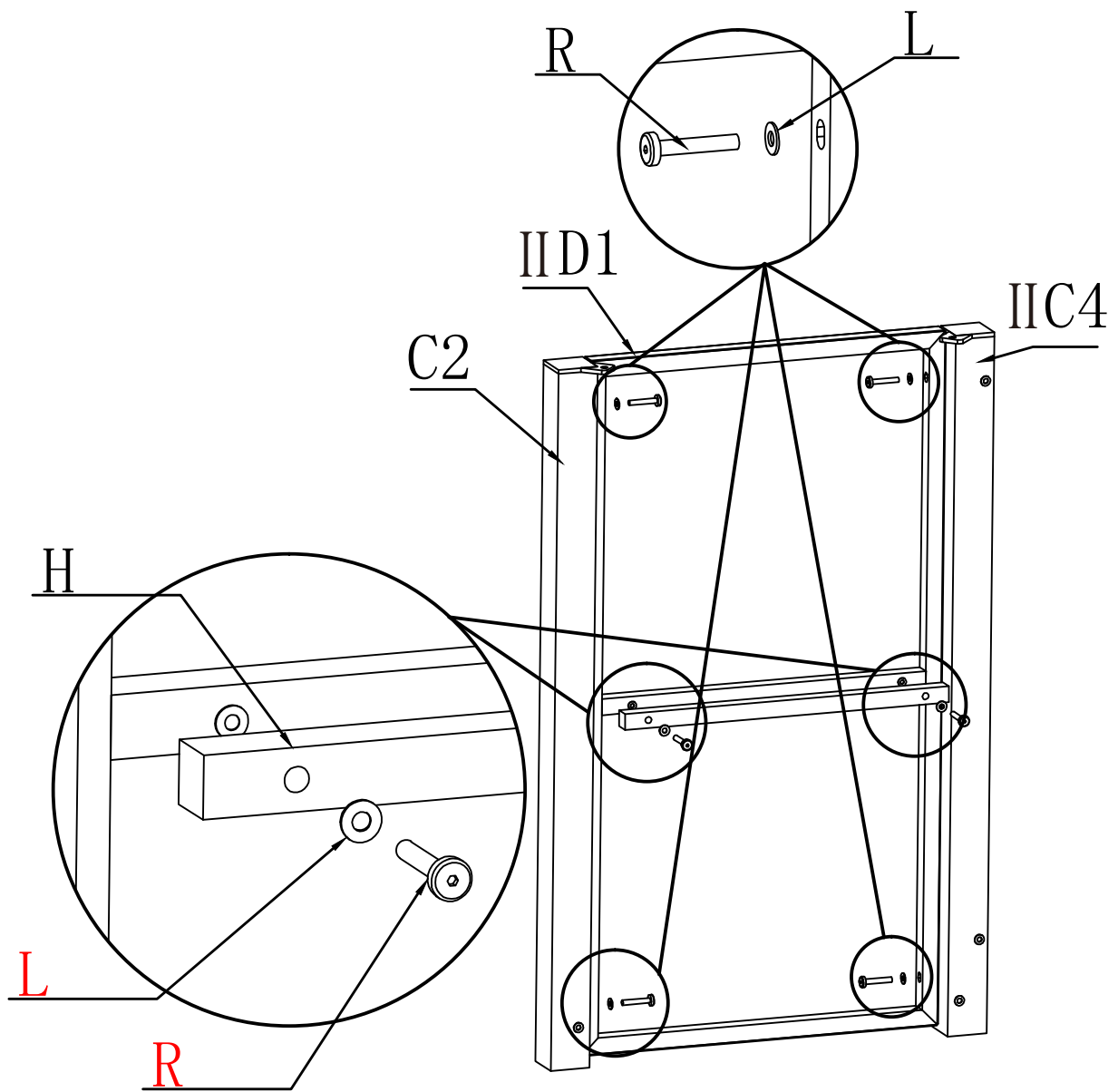


3

Step 4-1

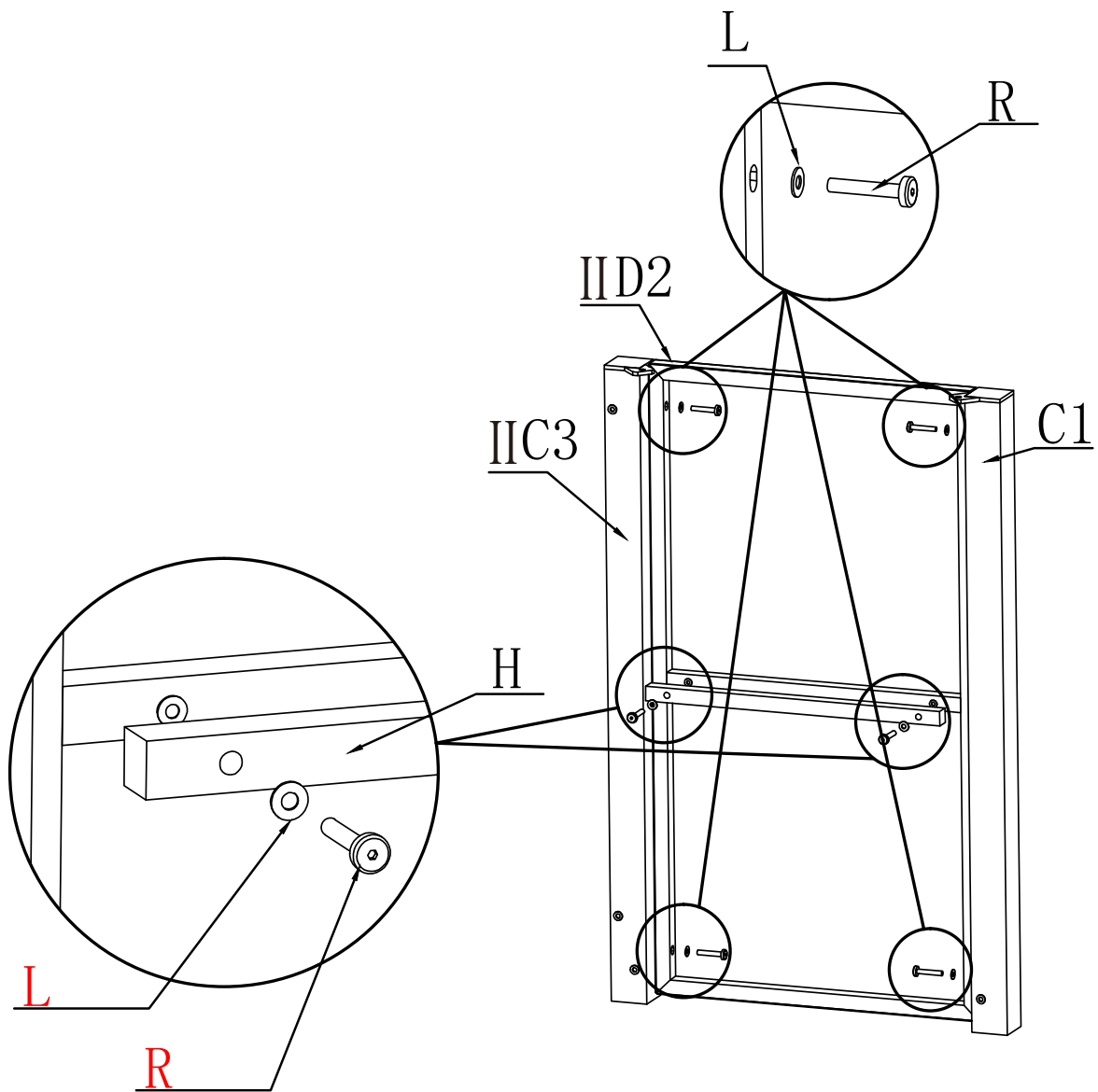
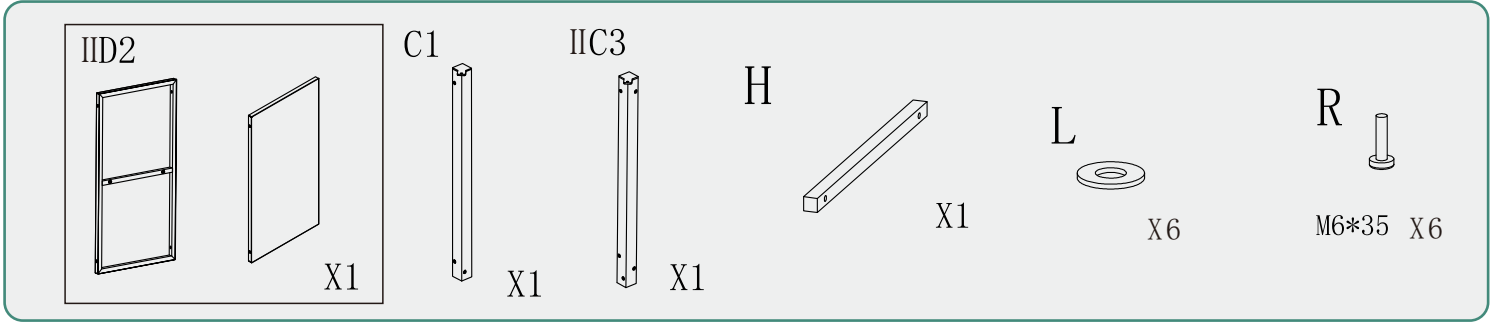


Note: Distinguish left and right.



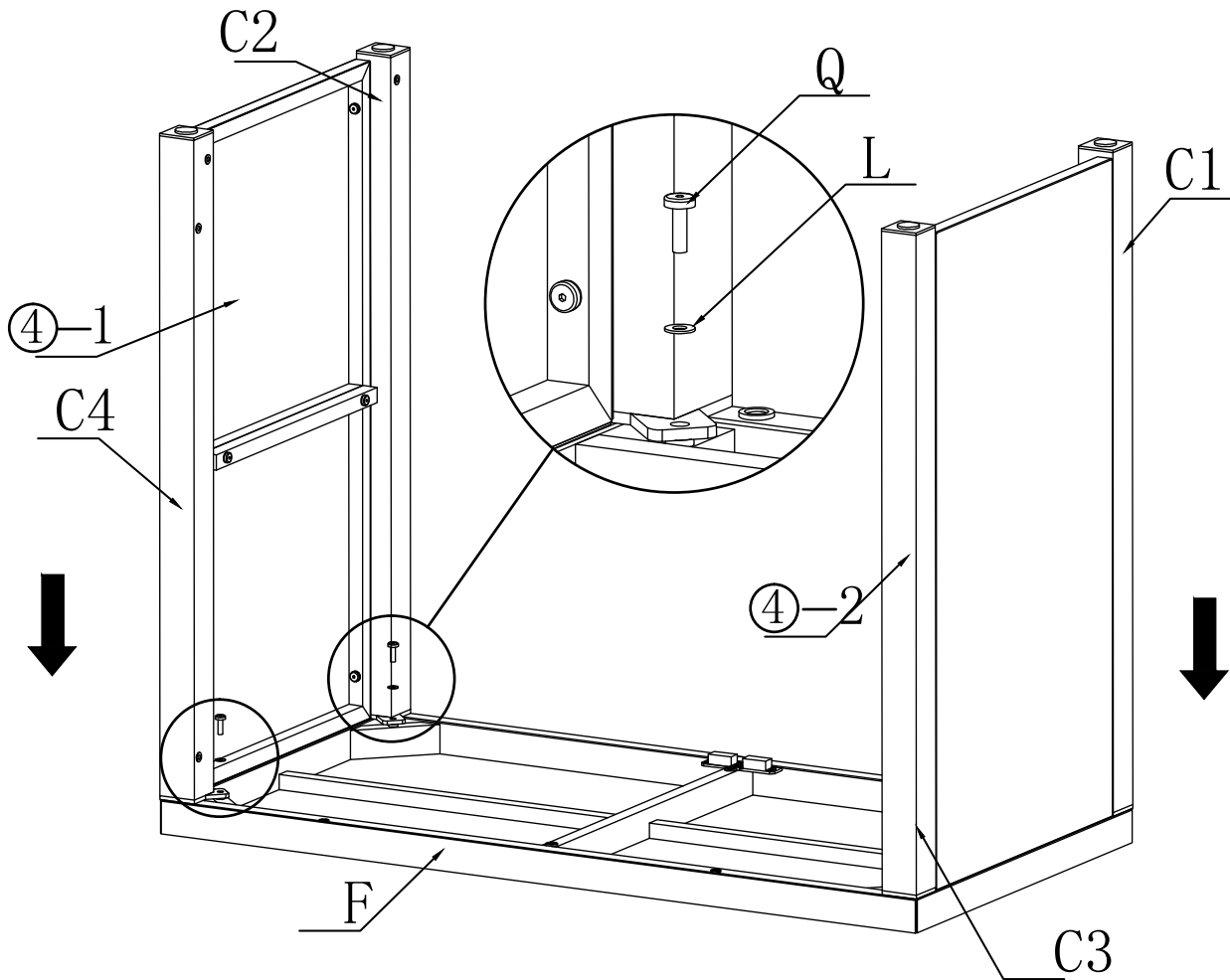
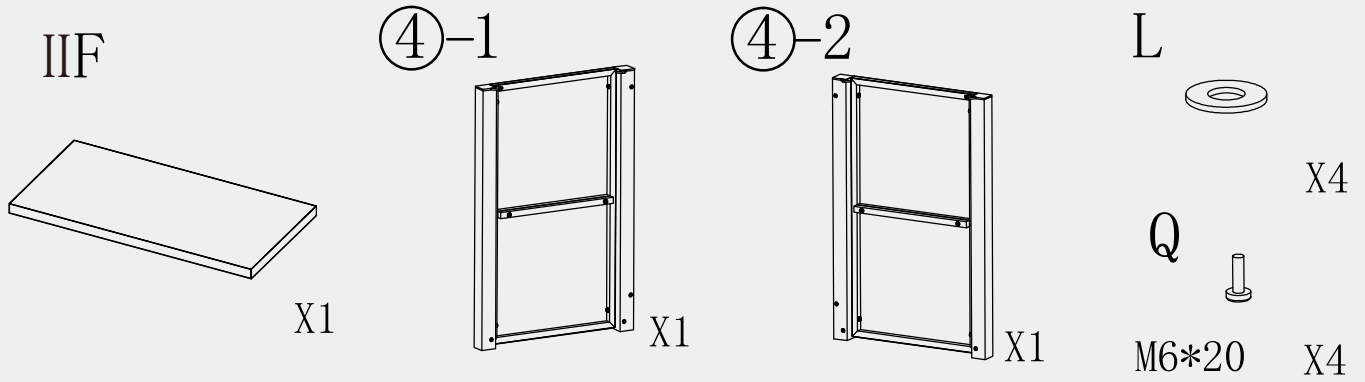
④-1

Step 4-2



④-2

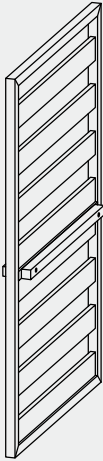
Step 5



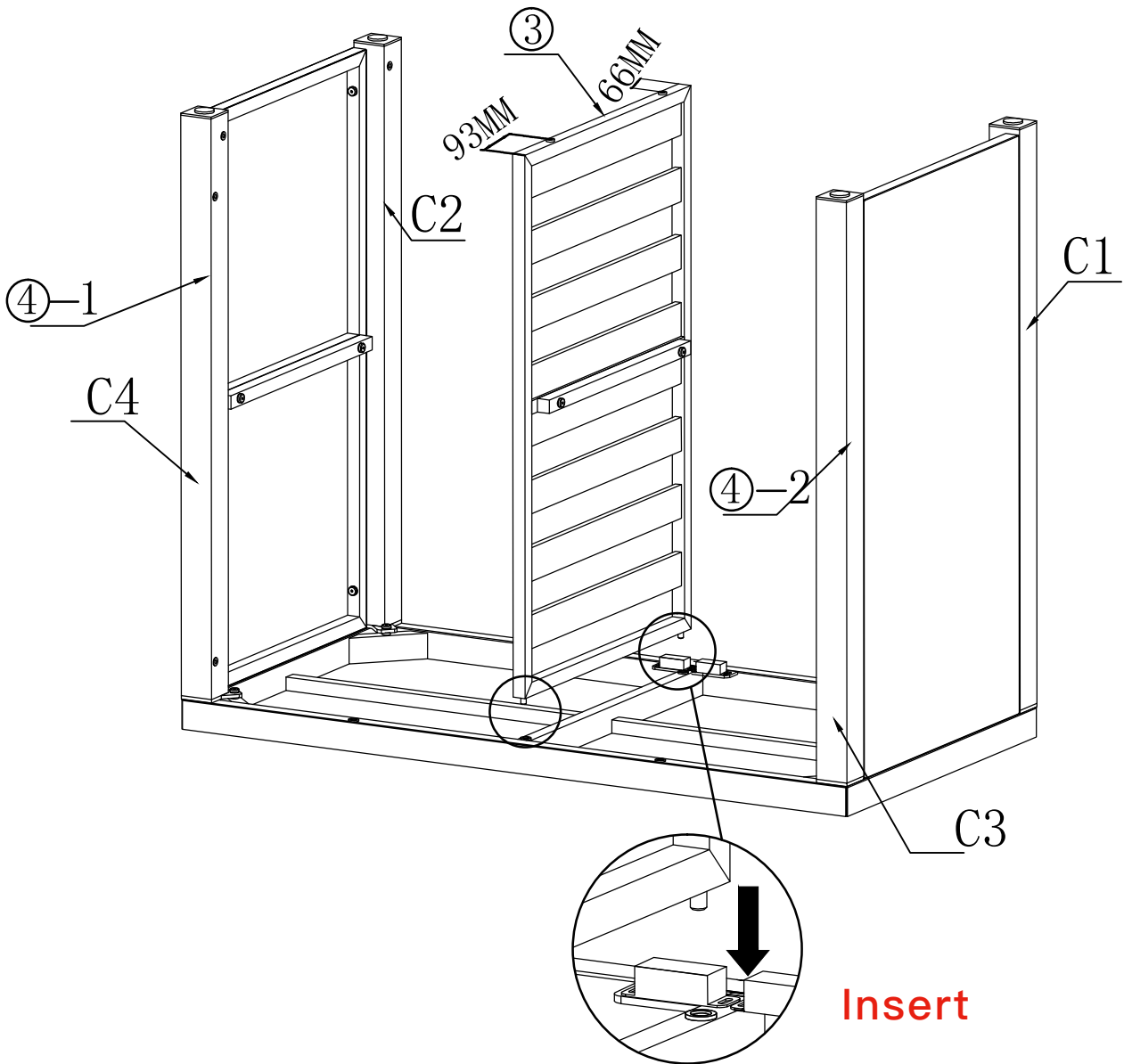
Note: Washers #L must be used.

Step 6

3

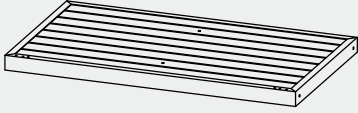


X1



Step 7

IIG



X1

R



M6*35

X4

S



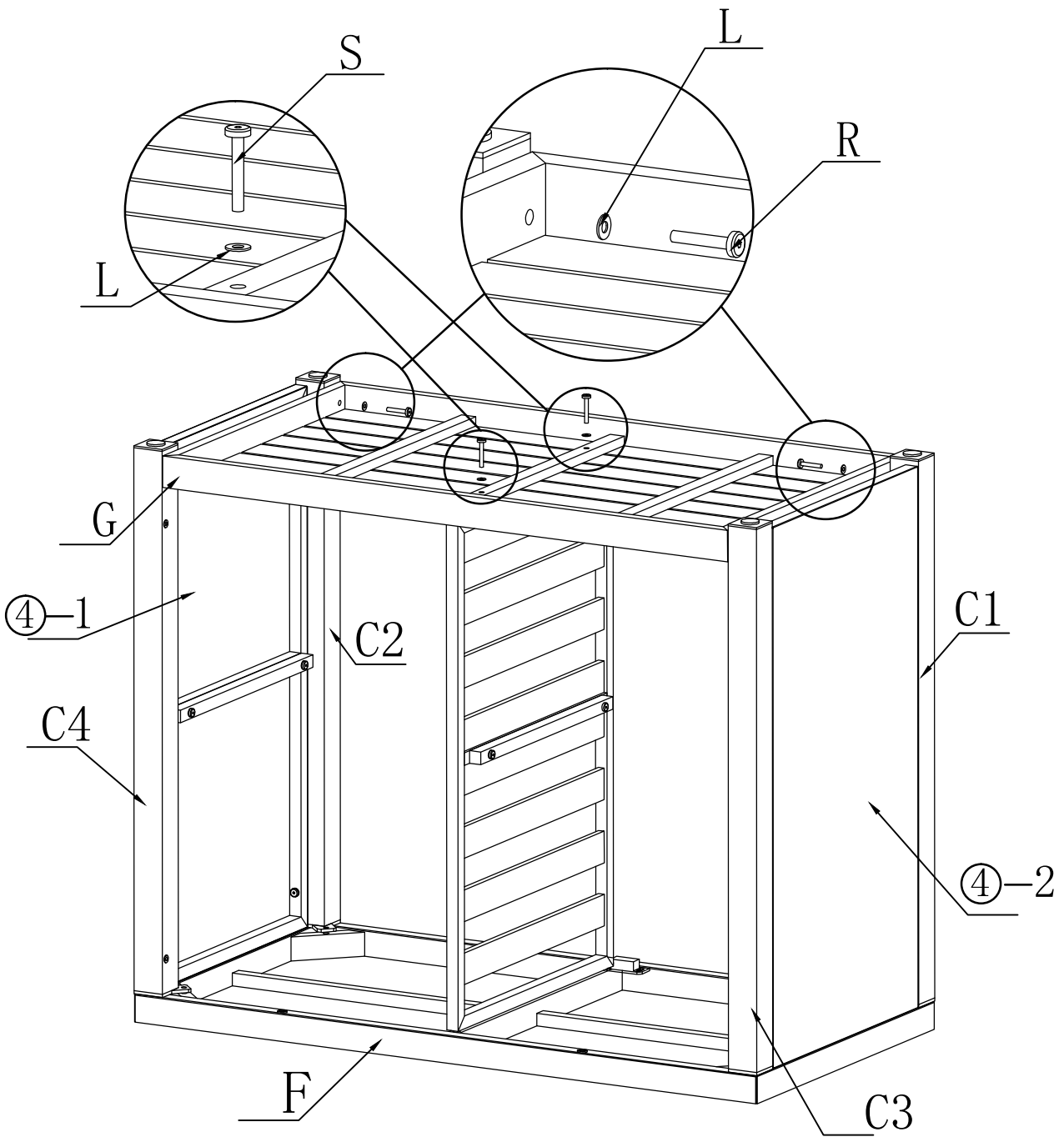
M6*40

X2

L

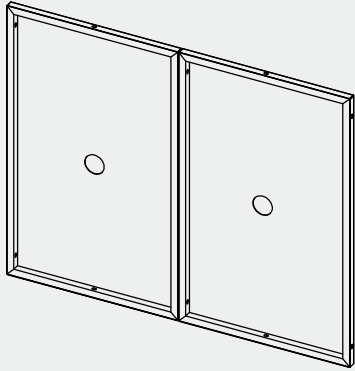


X6



Step 8

1



X1

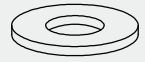
R



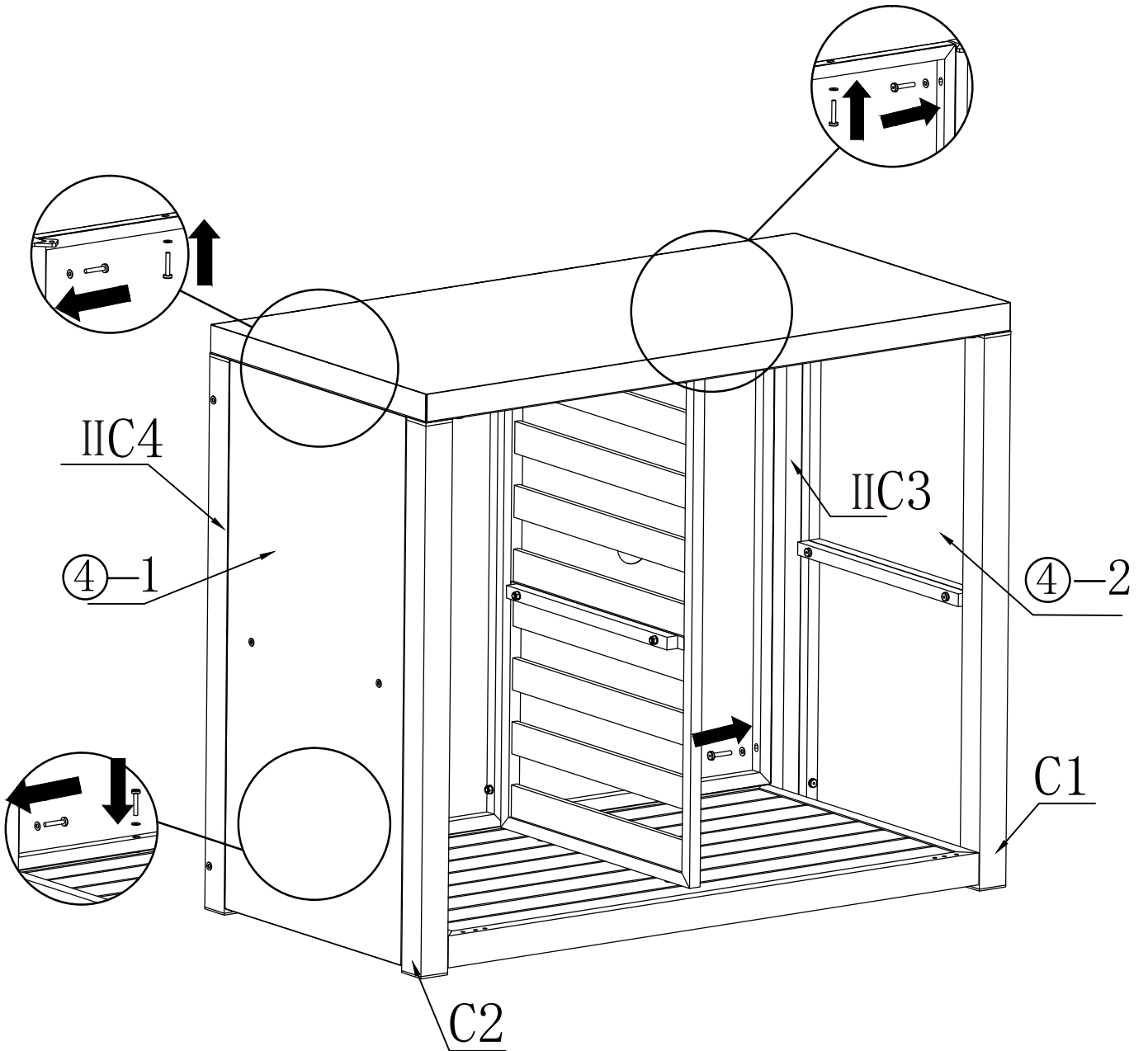
M6*35

X8

L

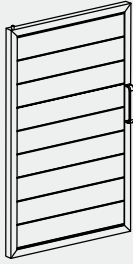


X8

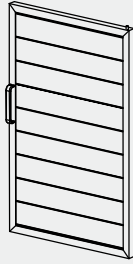


Step 9

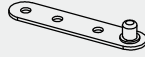
②-1



②-2



M



X2

O



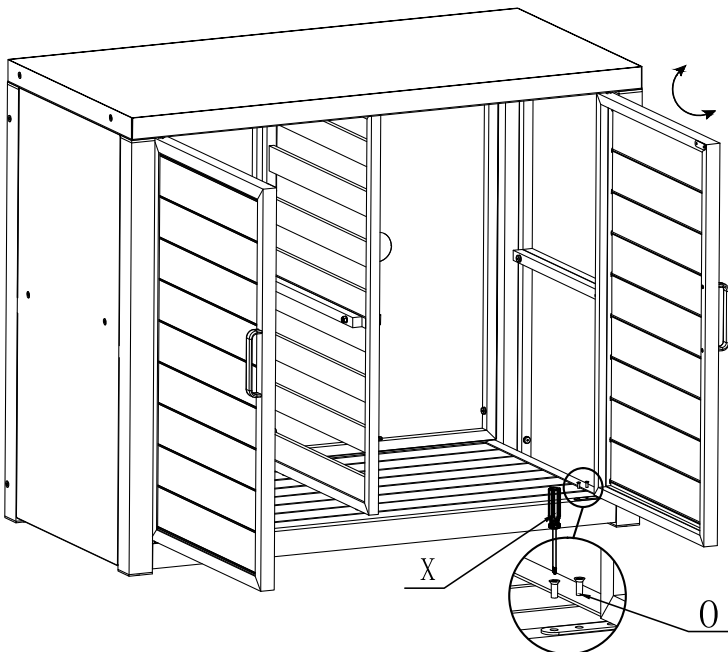
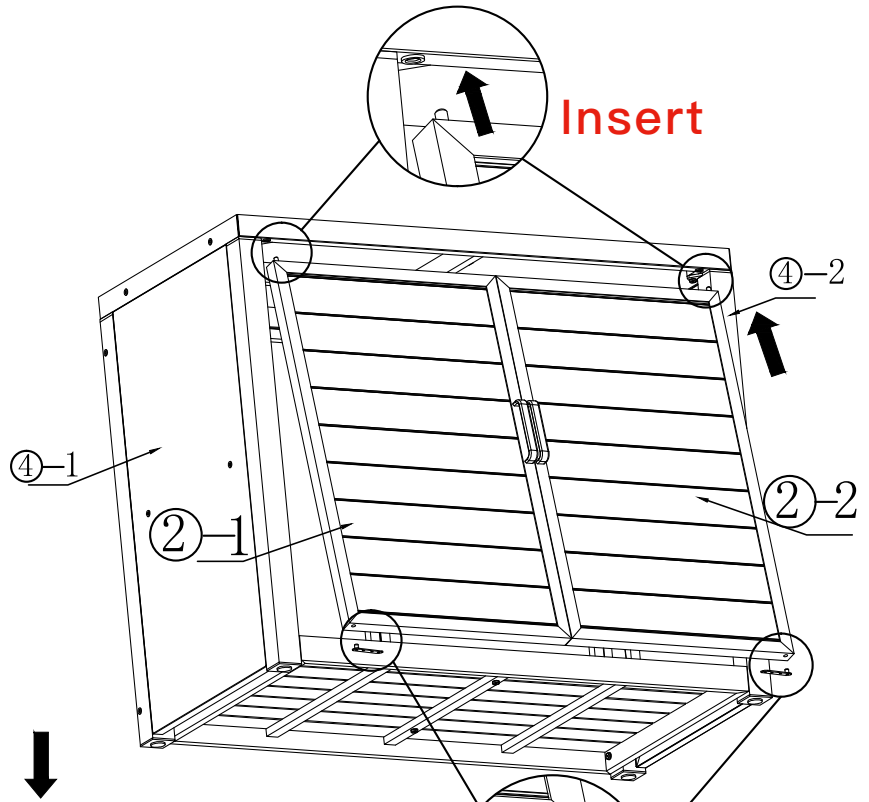
M4*12

X4

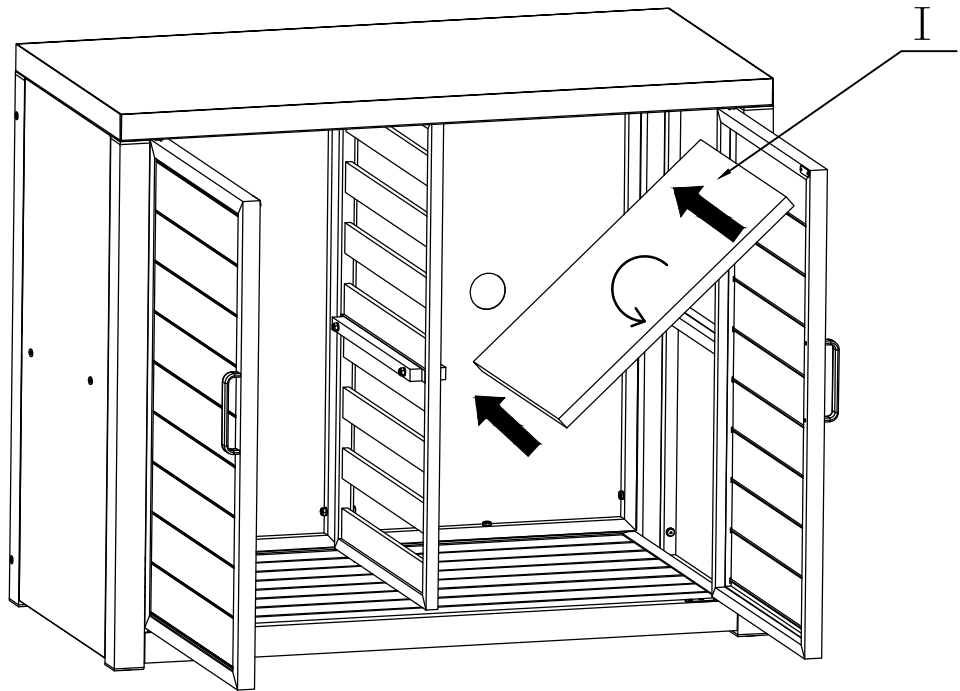
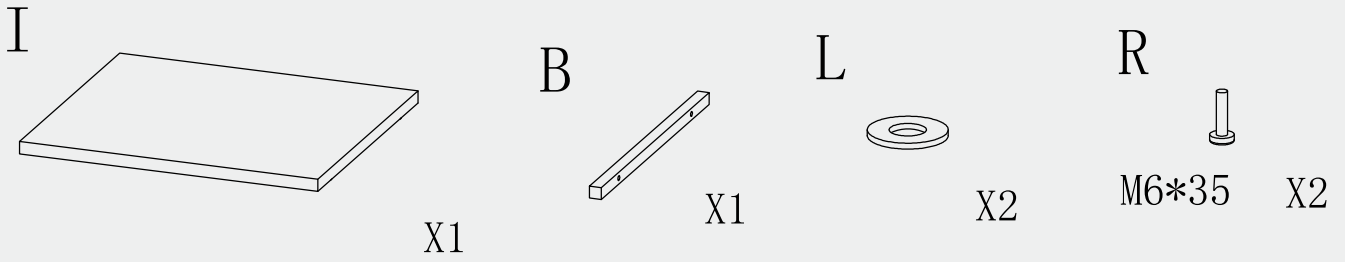
X



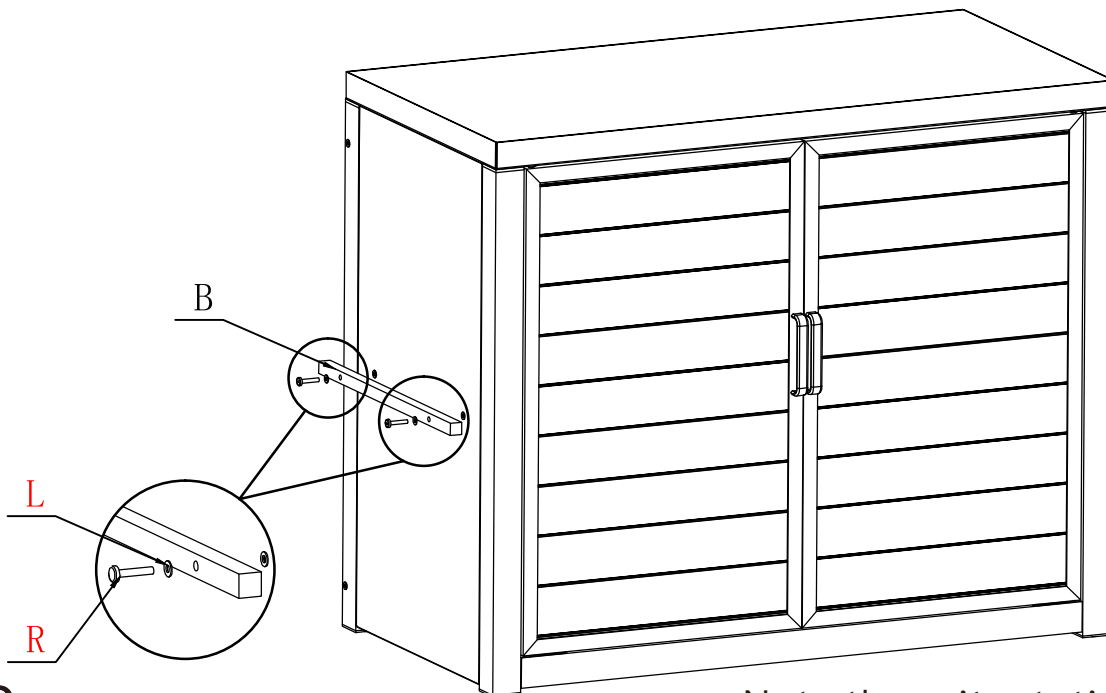
X1



Step 10

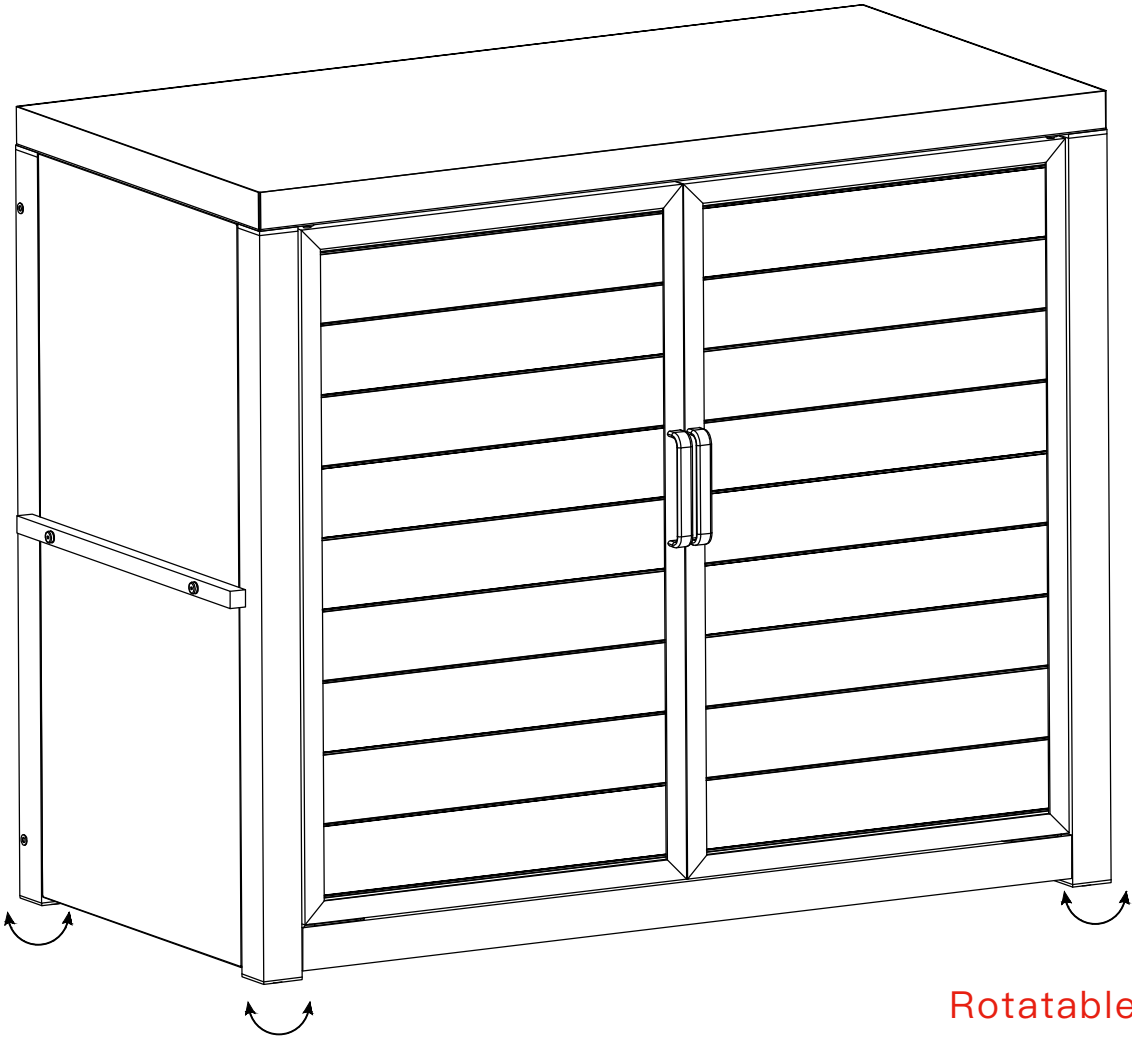


Note: Position can be arranged as needed.



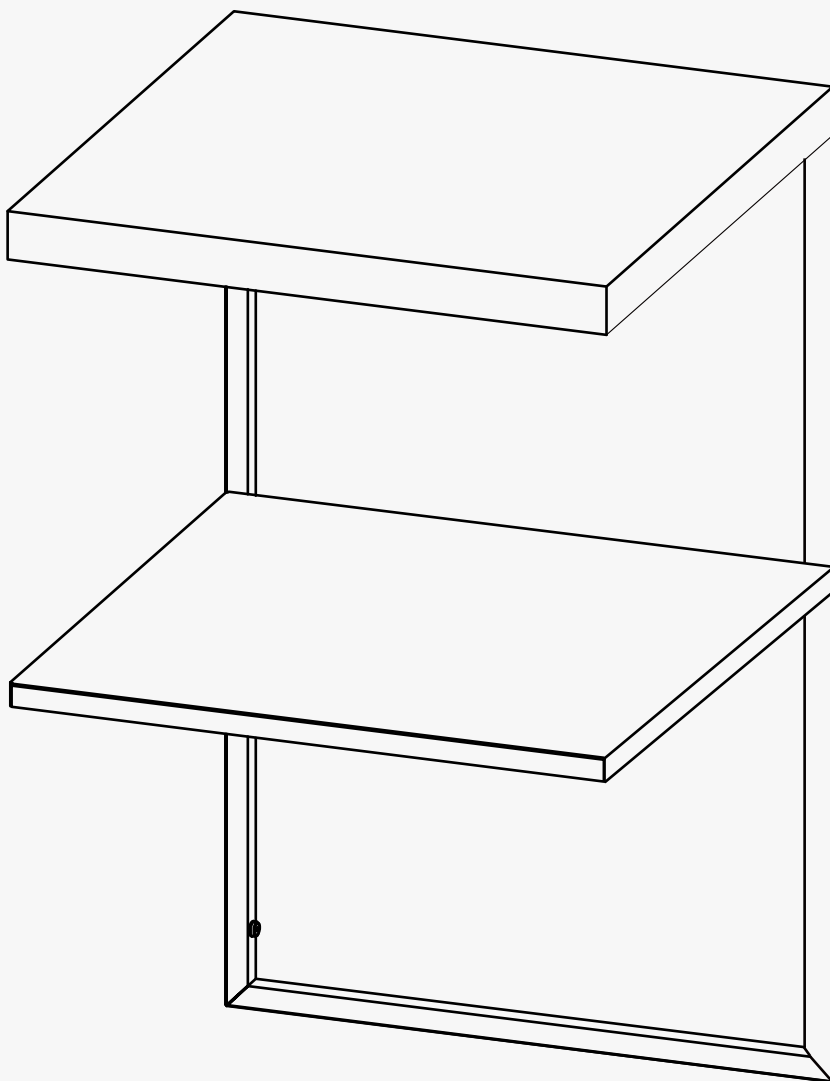
Note the orientation direction

Step 11



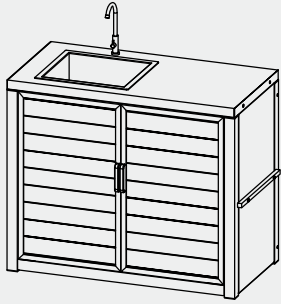
Rotatable

Outdoor Splicing Cabinet Assembly



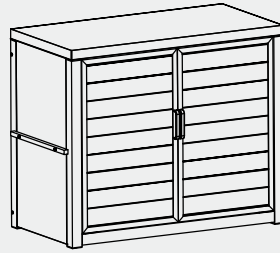
Step 1

I



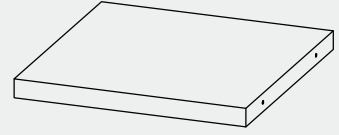
X1

II



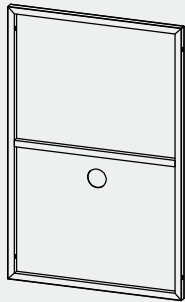
X1

III A



X1

III B



X1

R



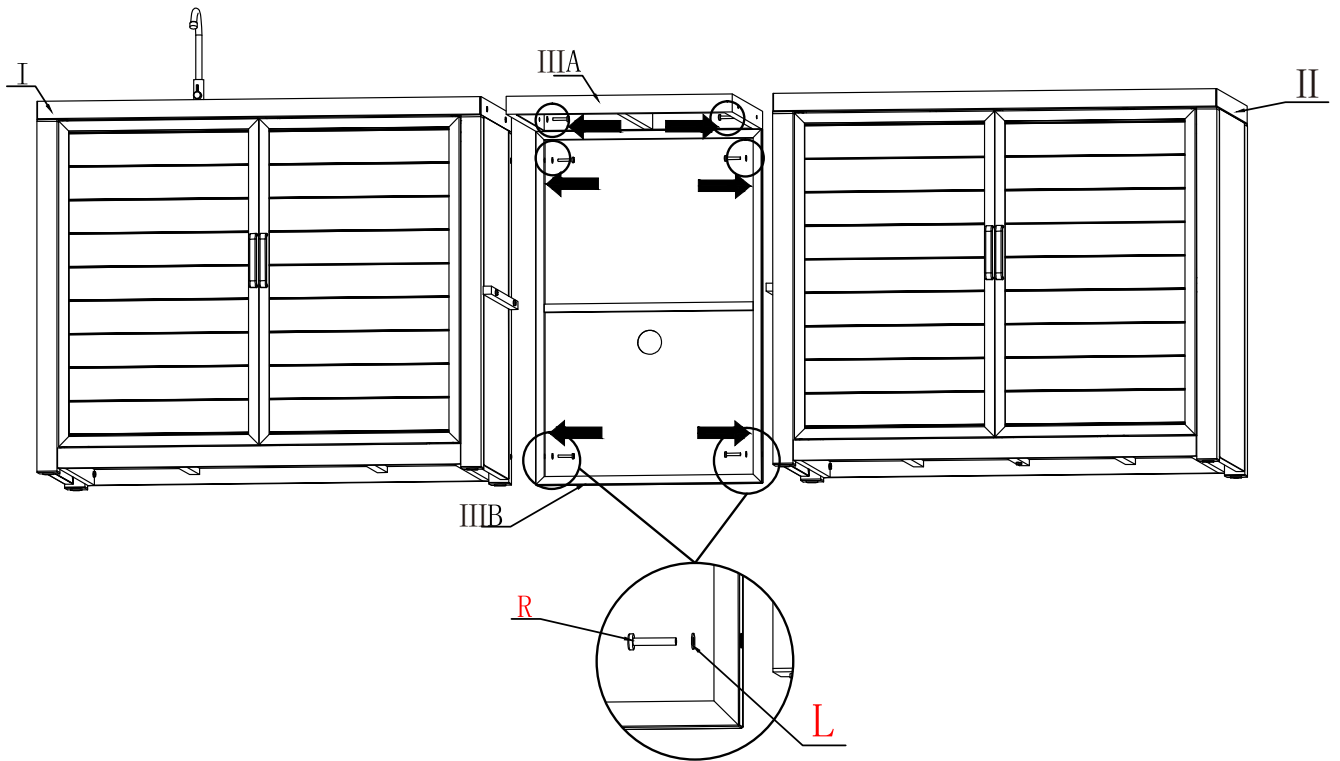
M6*35

X8

L

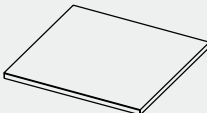


X8

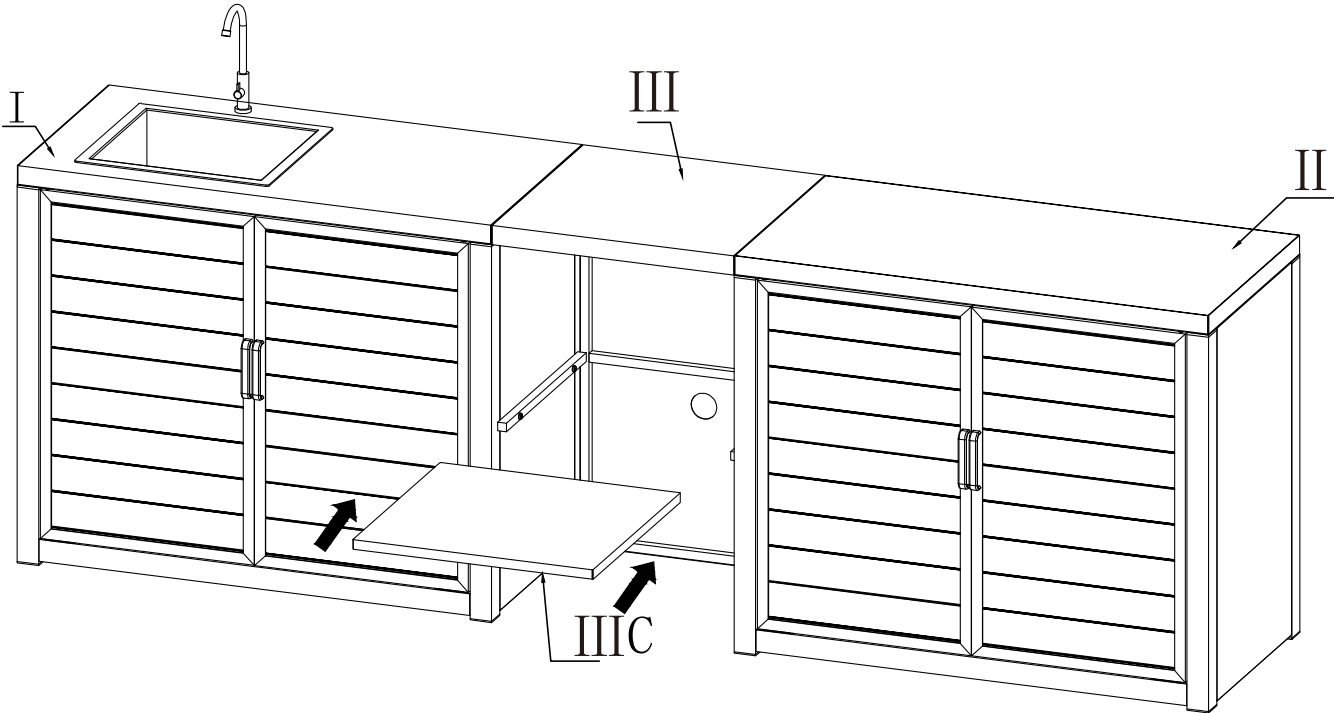


Step 2

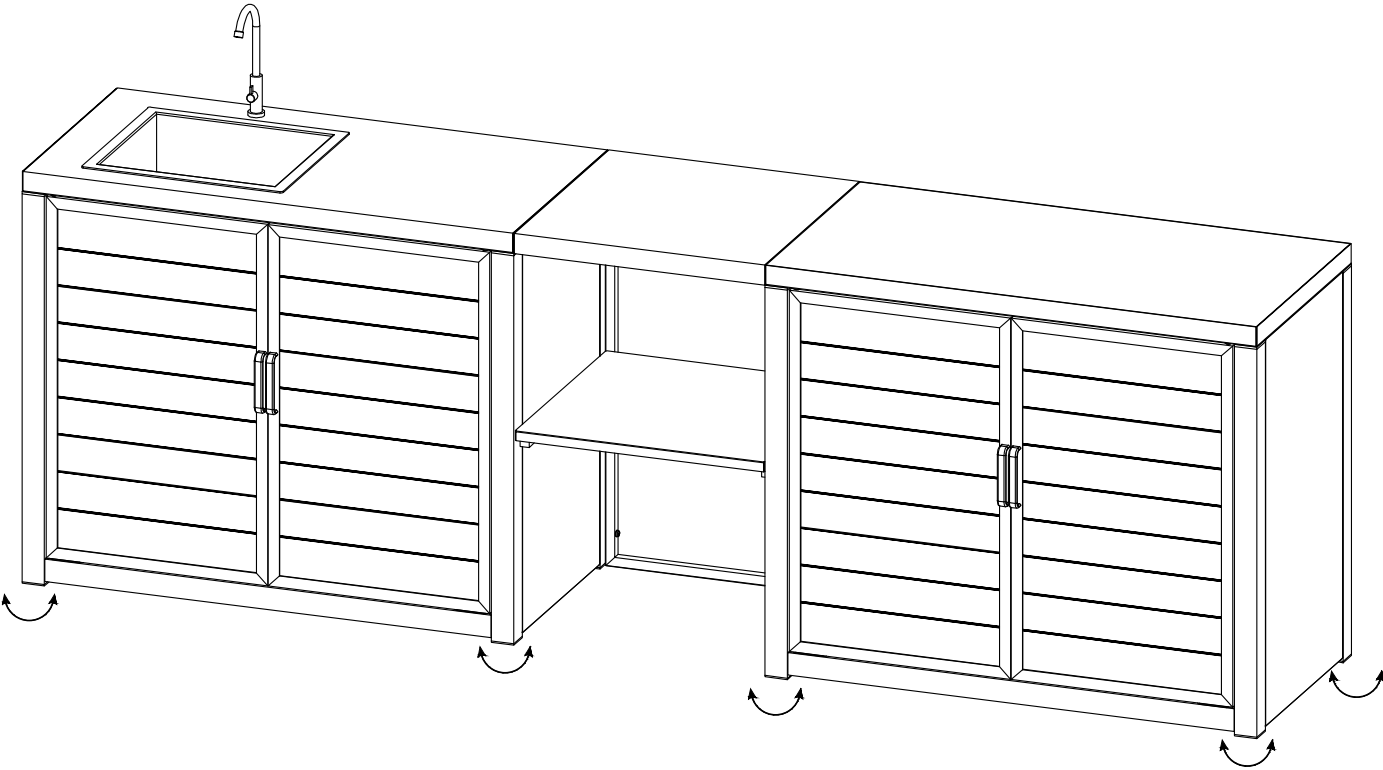
III C



X1



Step 3



Rotatable



Thanks for your purchase.

At domi outdoor living, we believe in our products.

That's why we provide a 12-month warranty and friendly, easy-to-reach after-sales service. So, if you have any questions about our product or assembly, please feel free to contact us. We are here for you.

Support:  

After-sales contact email:

service@domioutdoorliving.com

Business cooperation contact email:

marketing@domioutdoorliving.com

Please have your order ID available if you reach out for support.

If you have damaged parts or product, please send us photos for an immediate response.