





ASSEMBLY INSTRUCTION

944-030 Landscape Mirror

HARDWARE LIST

HARDWARE LIST				
A		Bolt	Ø1/4"*1-1/4"	8 PCS
B		Lock Washer	Ø1/4"	8 PCS
C		Flat Washer	Ø1/4"*19D	8 PCS
D		Allen Key	100*50*4mm	1 PC

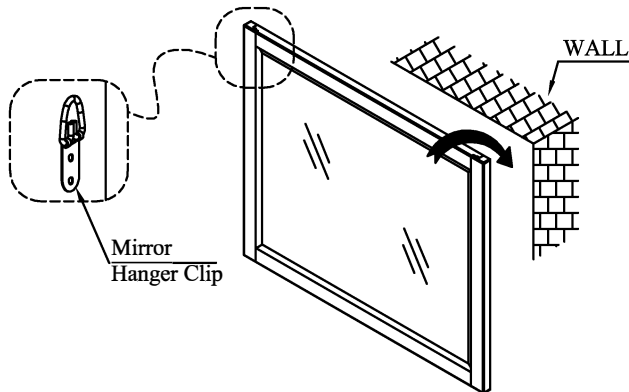
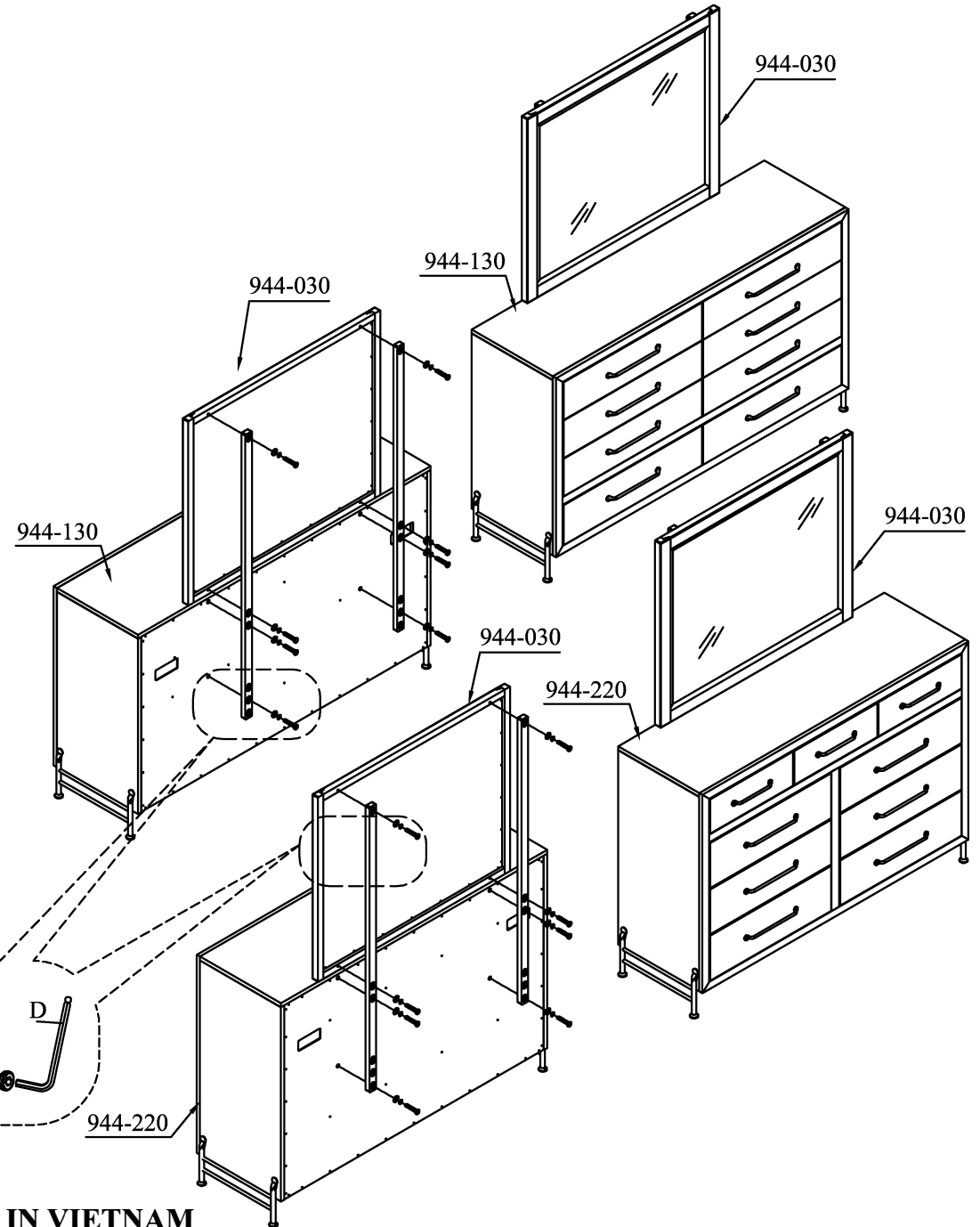
IMPORTANT NOTES

- . Place all wooden parts on clean and smooth surface such as rug or carpet to prevent the parts from being scratched.
- . Check to be sure that you have all parts and hardware.
- . Remove all wrapping materials, including staples and packing straps before you start to assemble.
- . Do not tighten all screws and bolts until completely assembled.
- . Keep all hardware out of the reach of children

Instruction:

STEP 1. Assemble mirror to the dresser with mirror supports by using flat washer (C), lock washer (B) and bolt (A). Do not tighten the bolt now.

STEP 2. Tighten the bolt (A) with allen key (D).



MADE IN VIETNAM