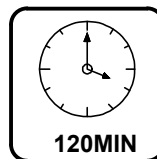
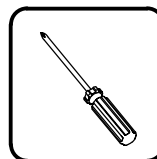
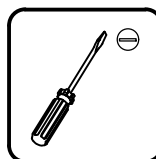
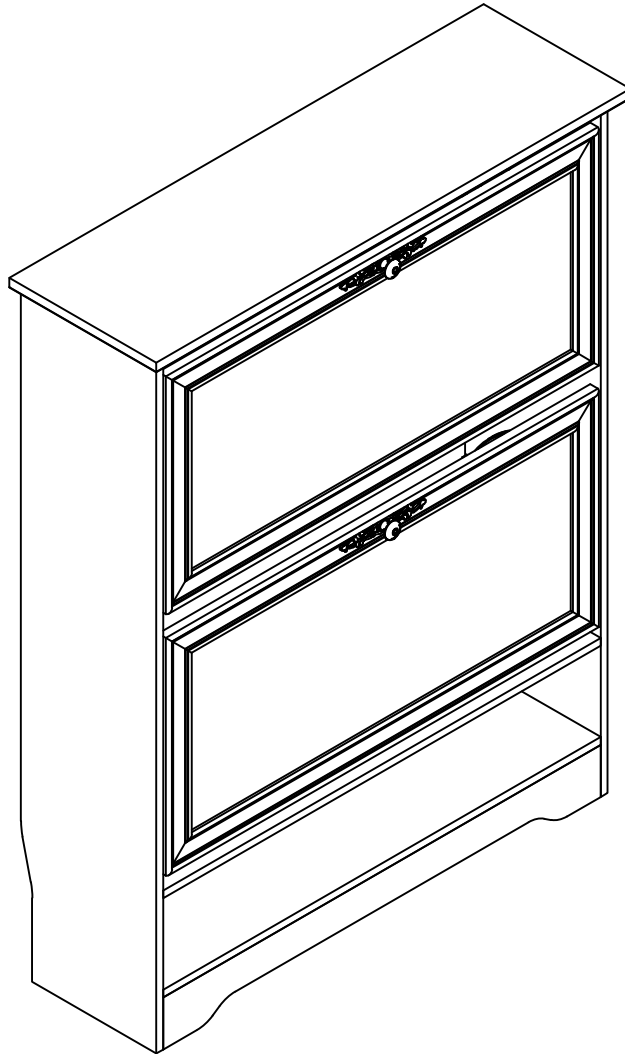


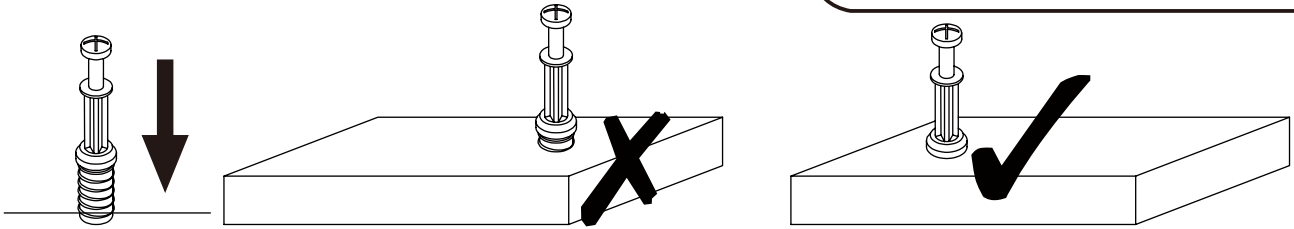
Installation & Assembly

Version:1.0

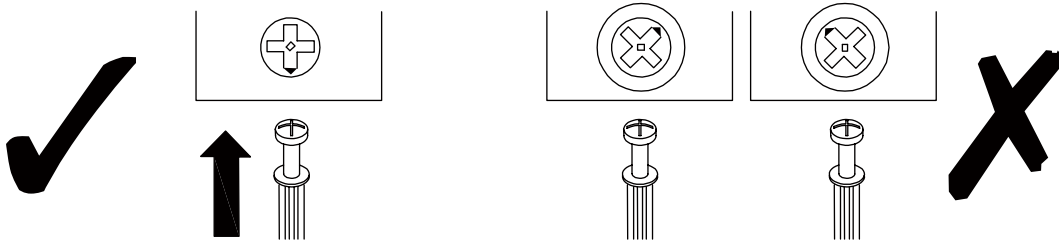


EN_IMPORTANT, RETAIN FOR FUTURE REFERENCE: READ CAREFULLY.

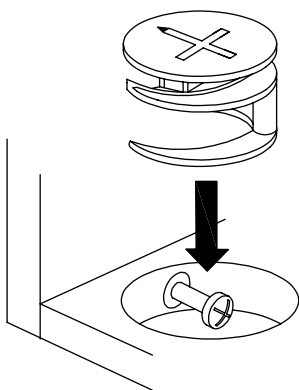
USING CAM LOCK AND QUICKFIT



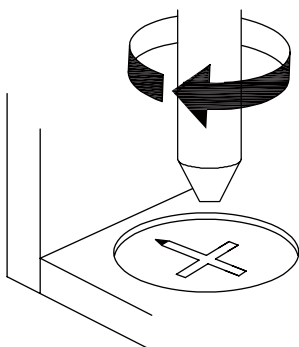
EN_QUICKFIT: Tighten quickfit until shoulder is flush with panel. Do not overtighten or undertighten.



EN_CAM LOCK: When fitting cam lock, ensure starting position is correct before you insert connecting quickfit.

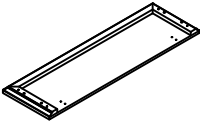
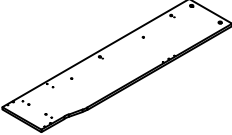
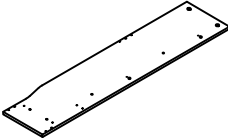

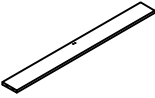

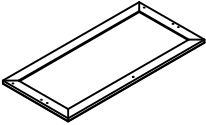





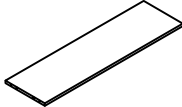
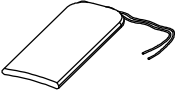
EN_Quickfit head should be in the centre of the cam lock when the two panels are joined.
Cam lock should be inserted before quickfit.

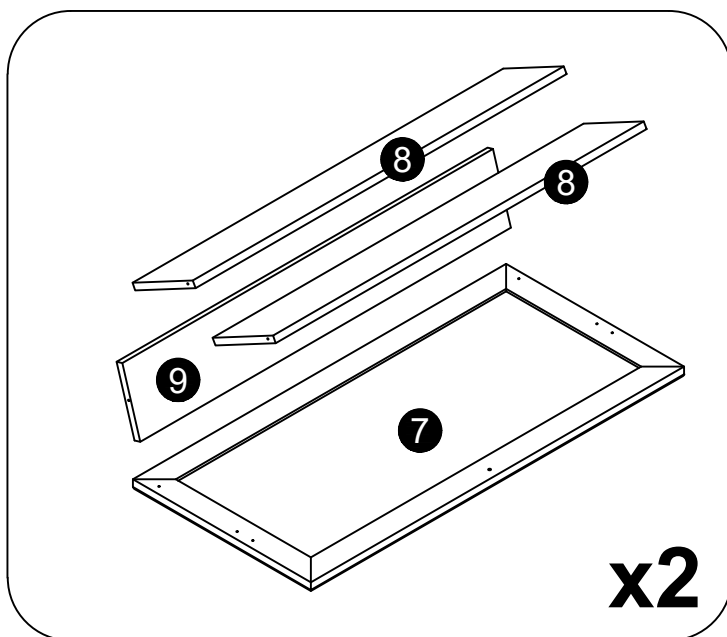
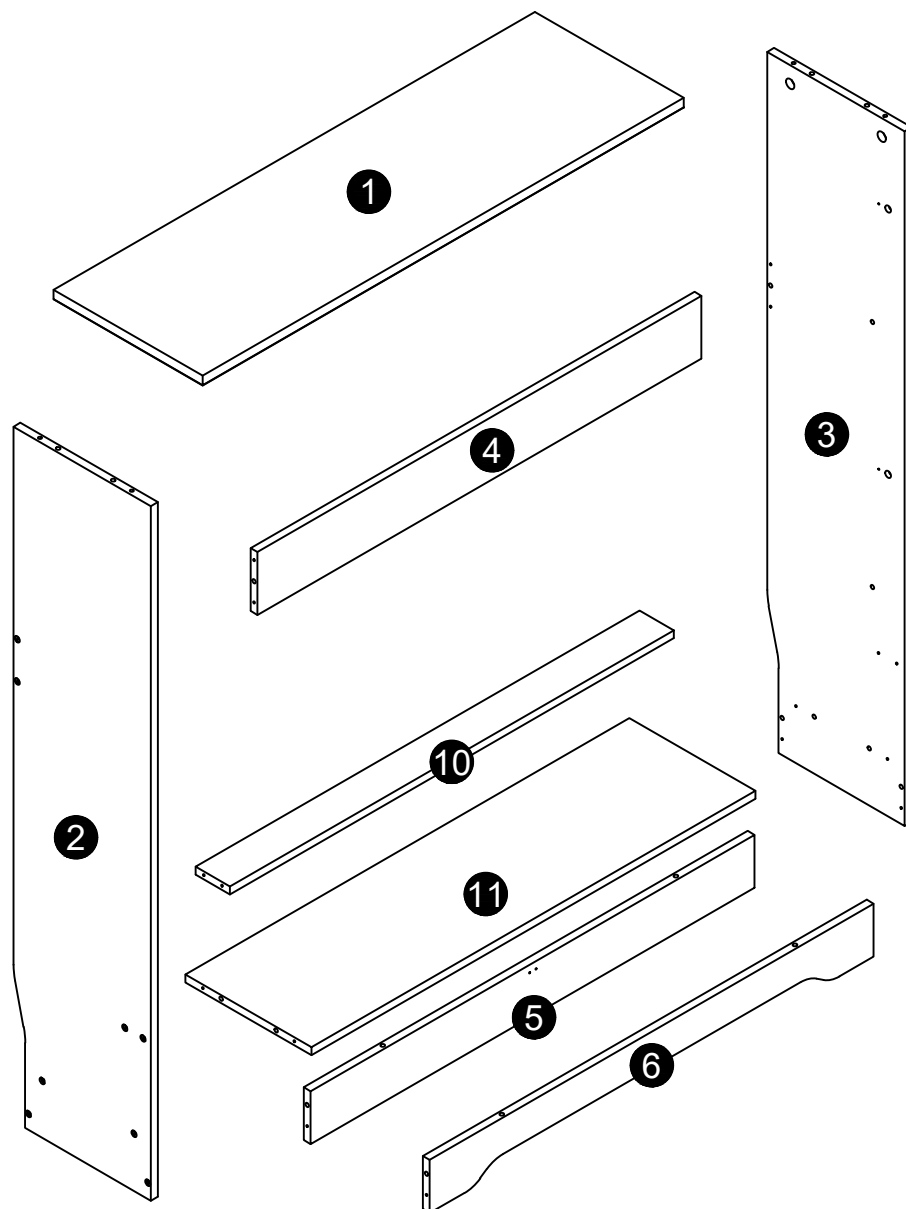


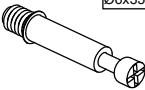

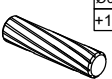
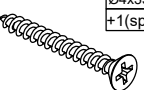







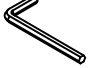




EN_Turn cam lock clockwise to tighten.



PACKING DELALS

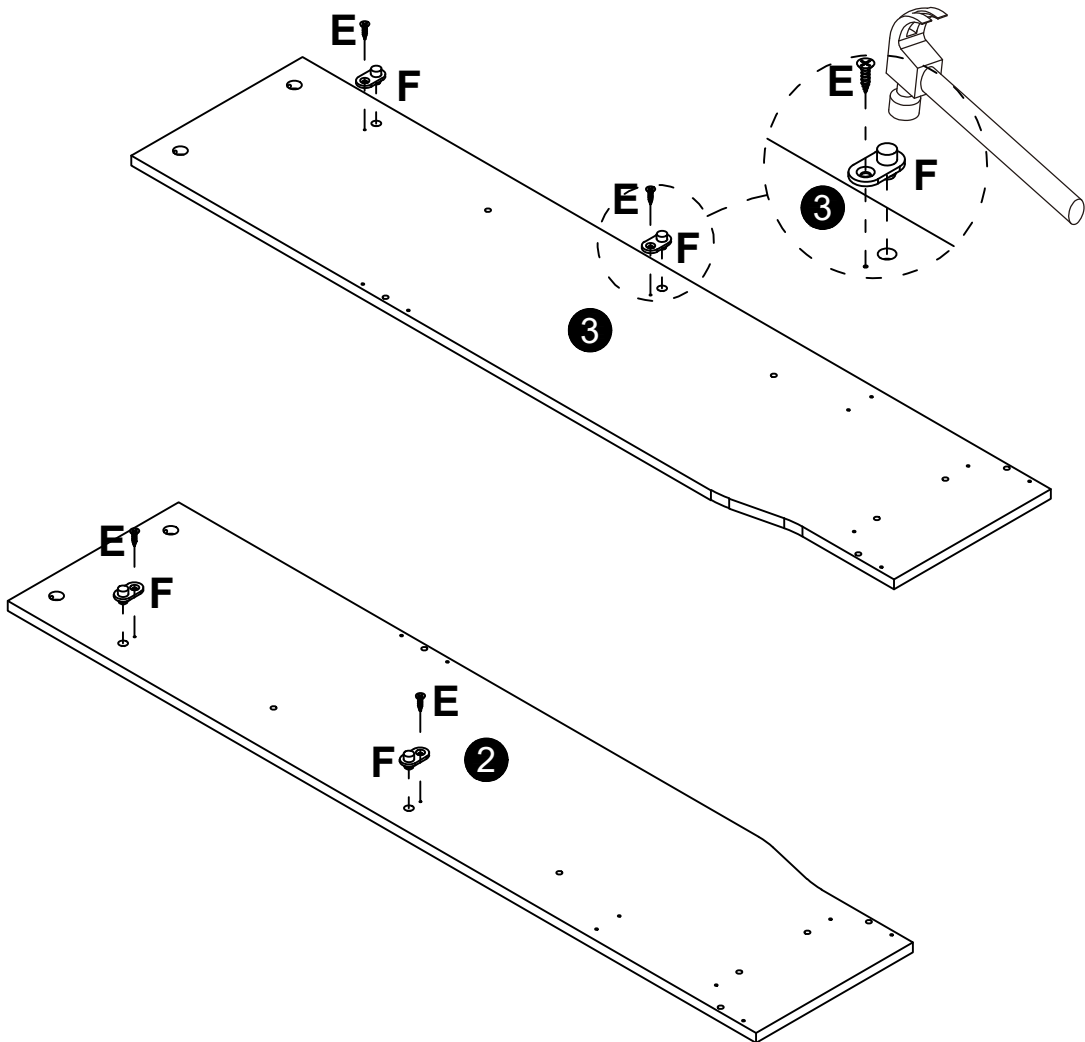
NO.	PARTS	QTY	SPARE
①		x1	
②		x1	
③		x1	
④		x1	
⑤		x1	
⑥		x1	
⑦		x2	
⑧		x4	
⑨		x2	
⑩		x1	

NO.	PARTS	QTY	SPARE
⑪		x1	
	 Hardware Kit	x1	



<p>A x4 Ø6x35mm</p> 	<p>B x4 Ø15x10mm</p> 	<p>C x18 Ø6x30mm +1(spare)</p> 	<p>D x18 Ø4x35mm +1(spare)</p> 	<p>E x36 Ø3.5x12mm +3(spare)</p> 	<p>F x4</p> 
<p>G x4</p> 	<p>H x4</p> 	<p>I x2</p> 	<p>J x2</p> 	<p>K x2 K-1 K-2 K-3</p> 	<p>L x1 M5</p> 
<p>M x2 M-1 M-2</p> 	<p>N x2</p> 	<p>O x16</p> 	<p>P x2</p> 		

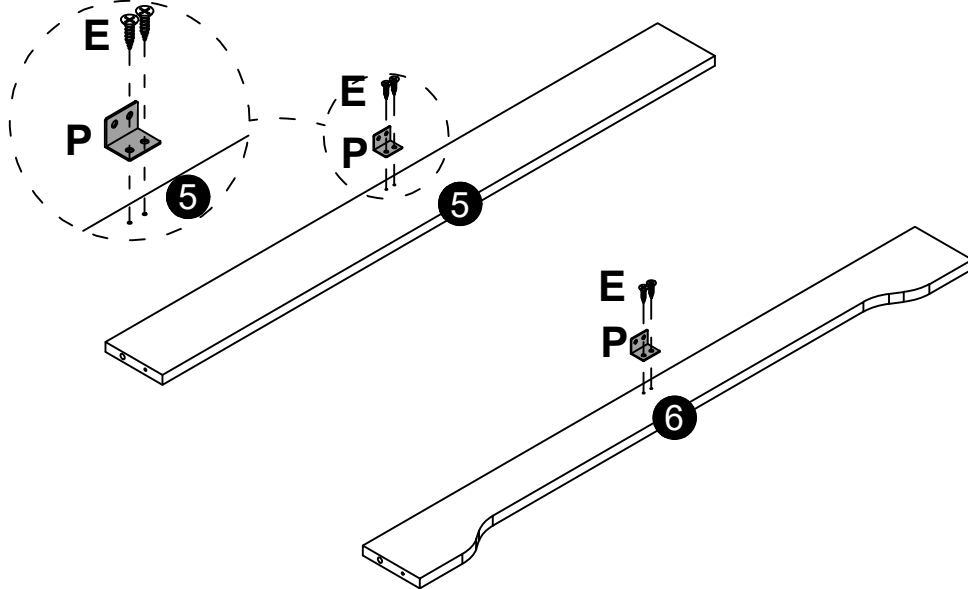
<p>E x4</p> 	<p>F x4</p> 
--	--



E x4



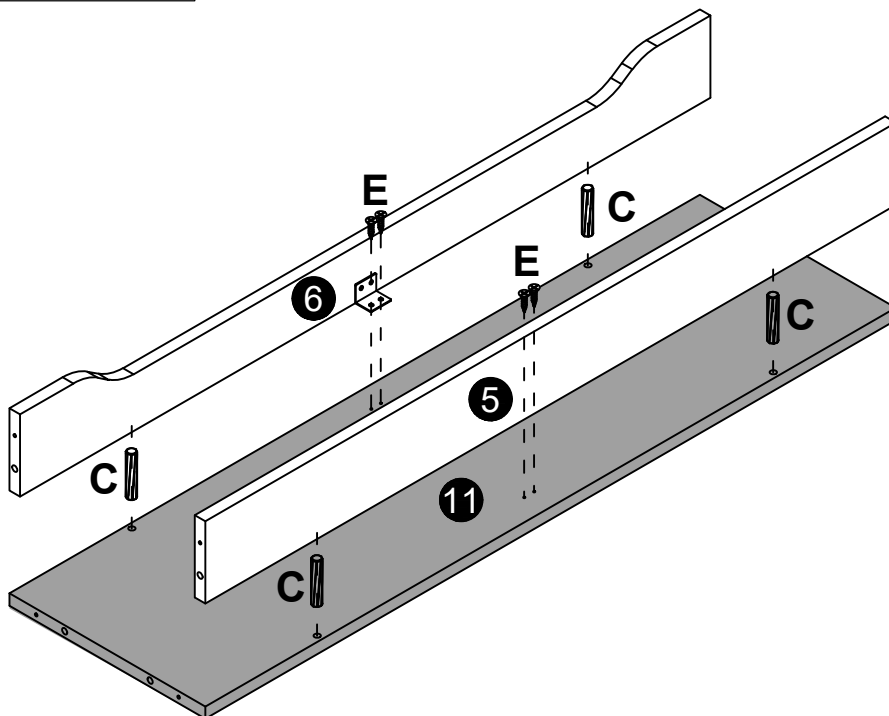
P x2



E x4

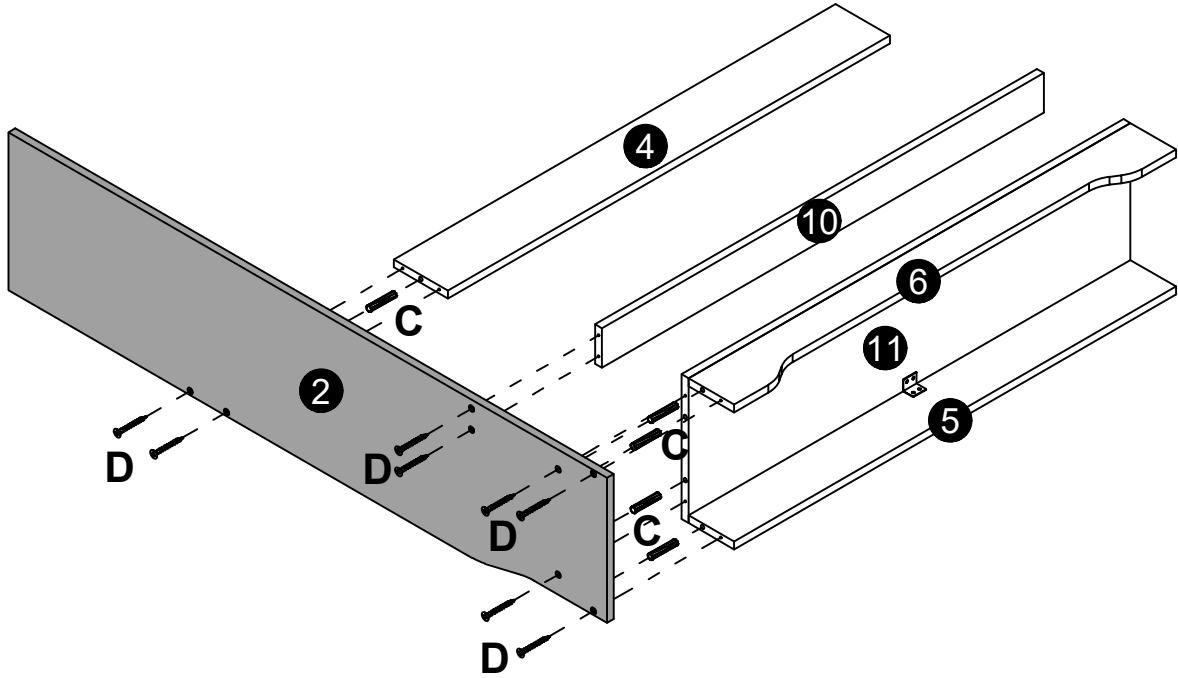
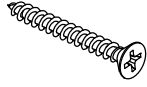


C x4



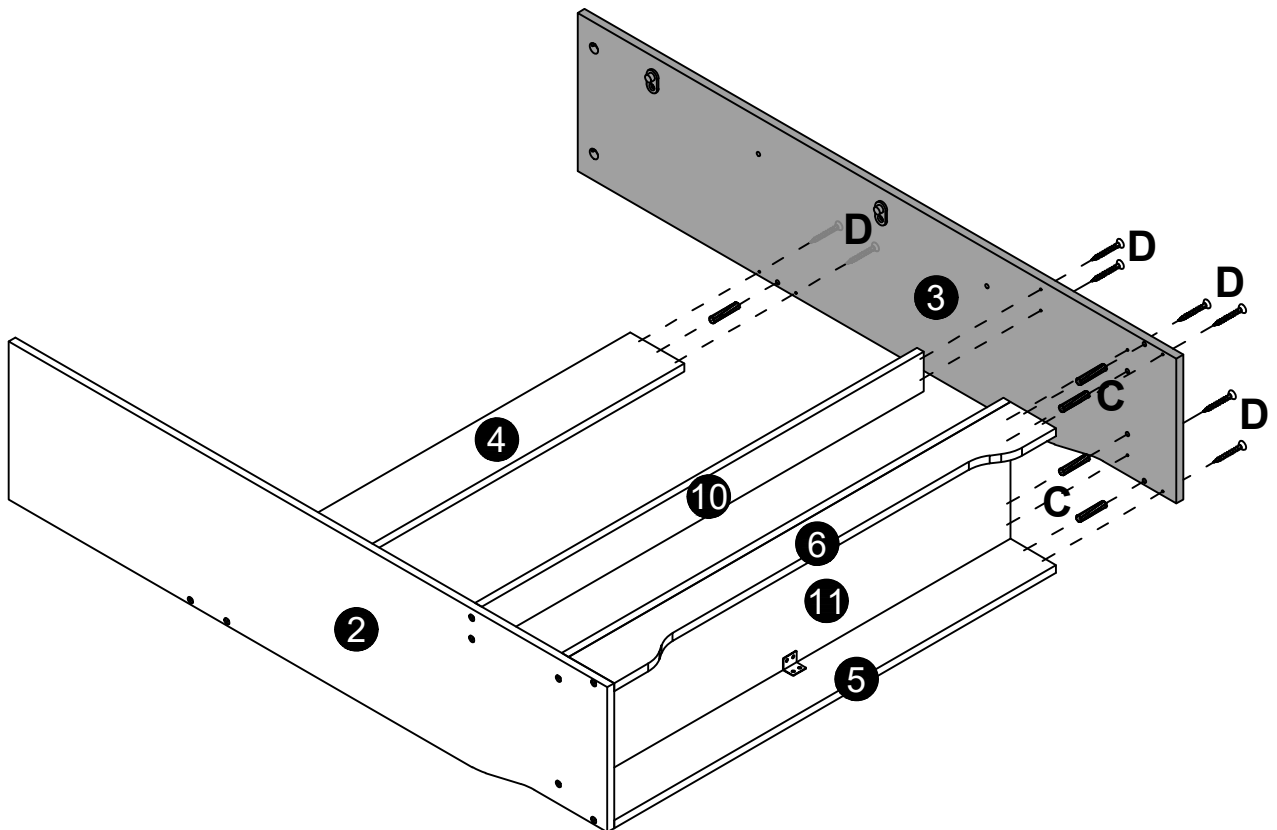
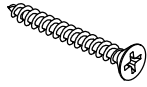
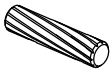
C x5

D x8

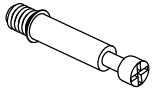


C x5

D x8



A x4



B x4



C x4



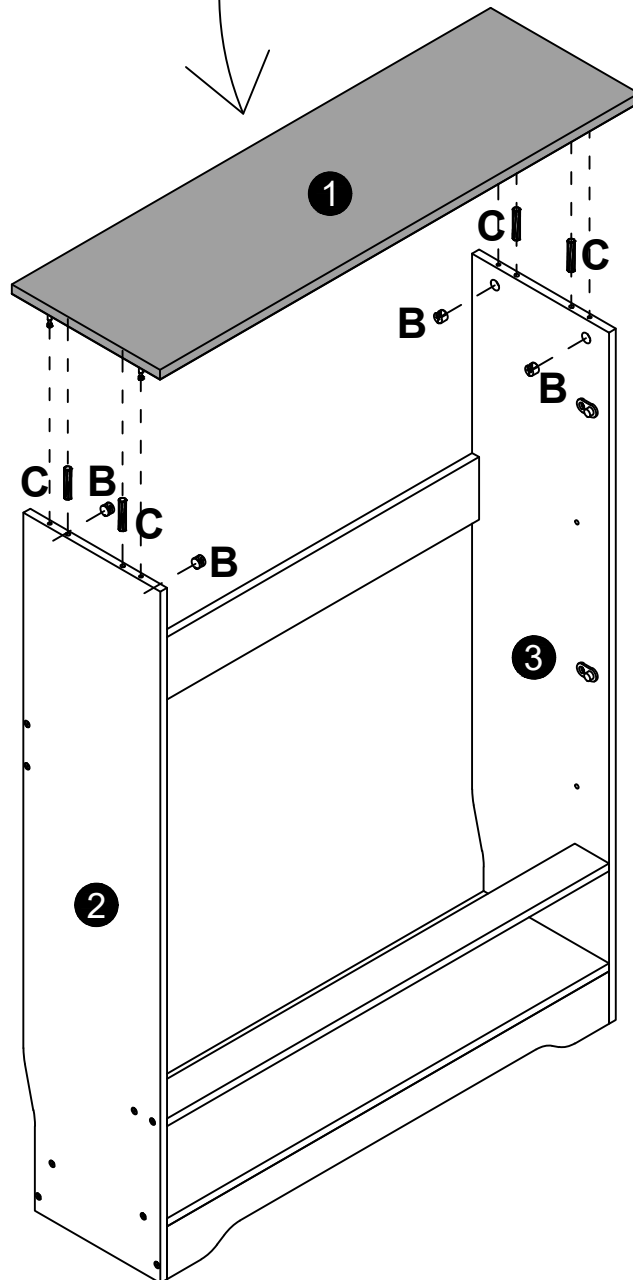
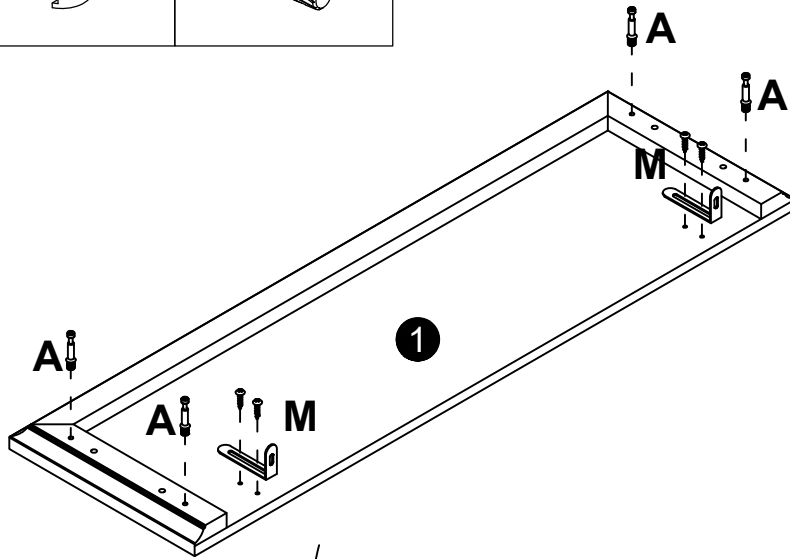
M x2



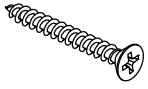
M-1



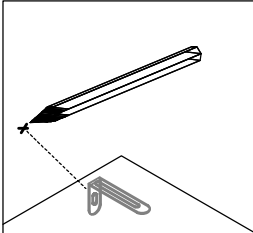
M-2



D x2



N x2



First fix the anti-rewind screw in the reserved hole of the product.

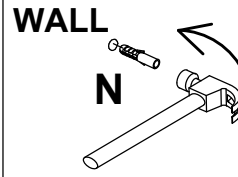
(1)x2

WALL



(2)x2

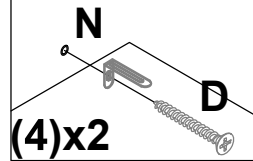
Then use a tape drill to make holes in the wall that are suitable for the product screws.



(3)x2

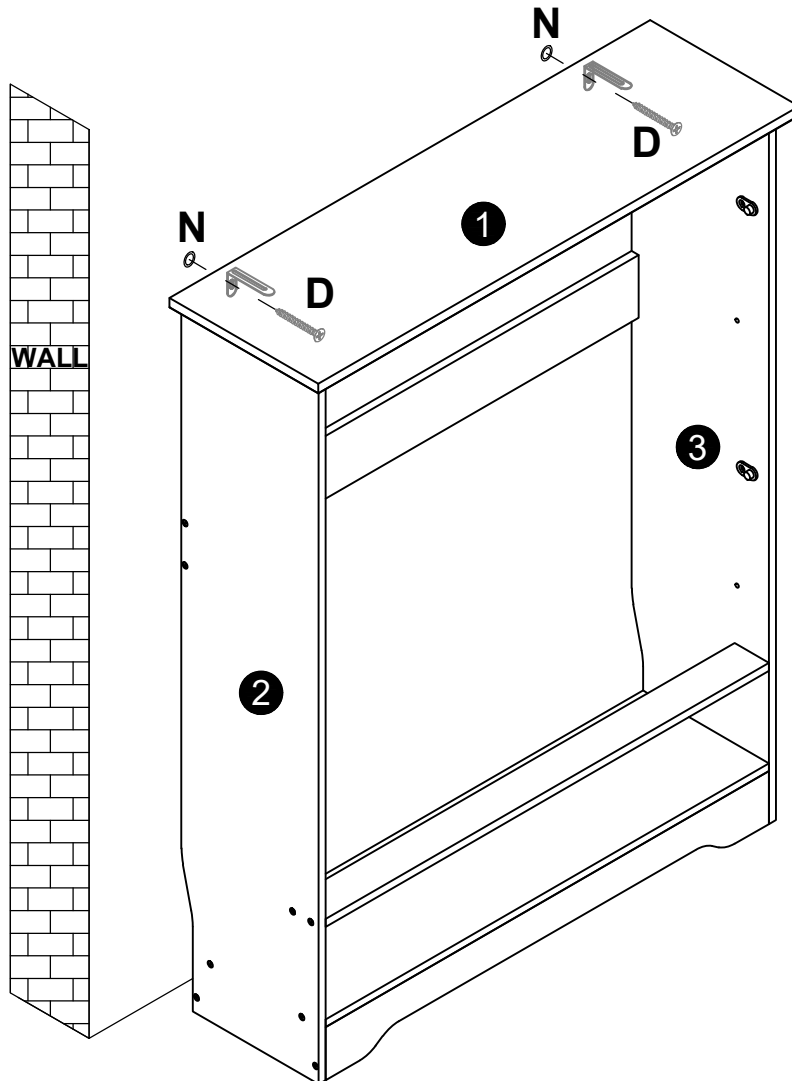
Then, put the expansion bolt into the hole

WALL



(4)x2

Finally, pass the matching screws through the "anti-rewind" and tighten them to fix them on the wall.



E x20

I x2

J x2

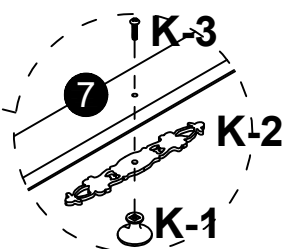
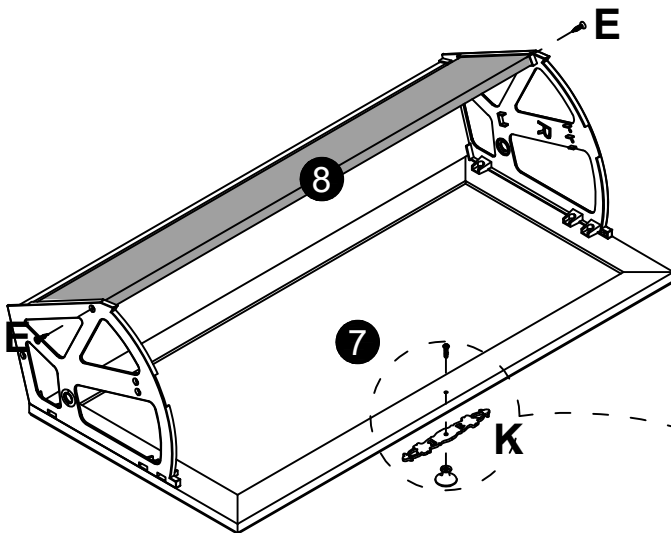
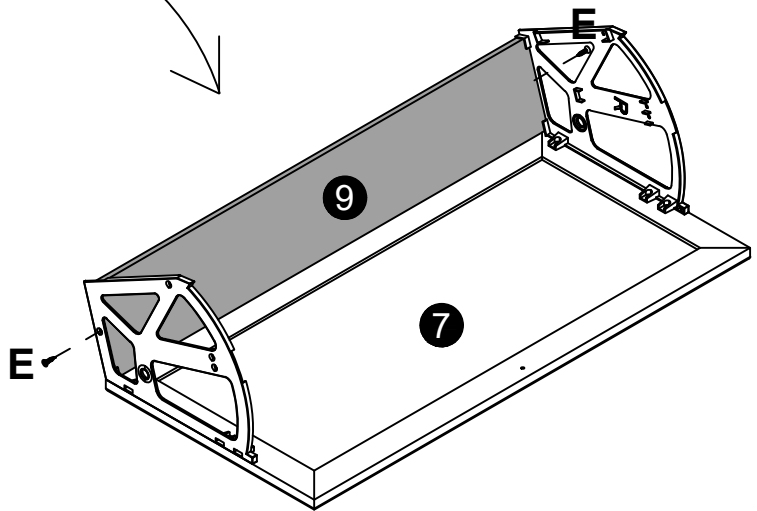
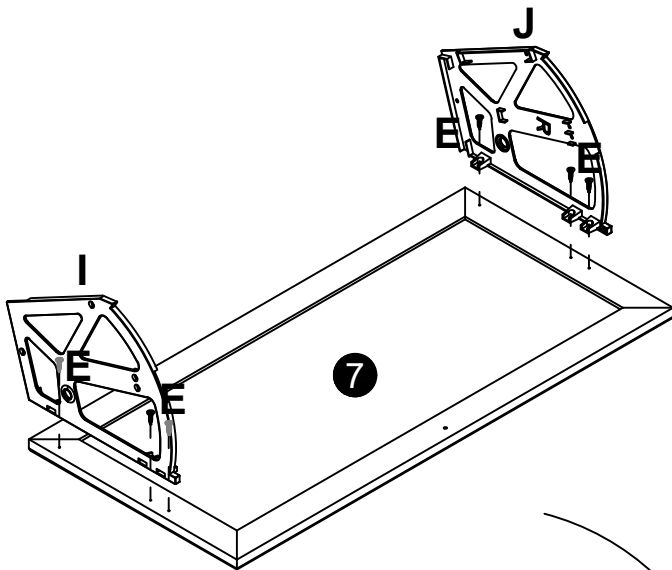
K x2



K-1

K-2

K-3

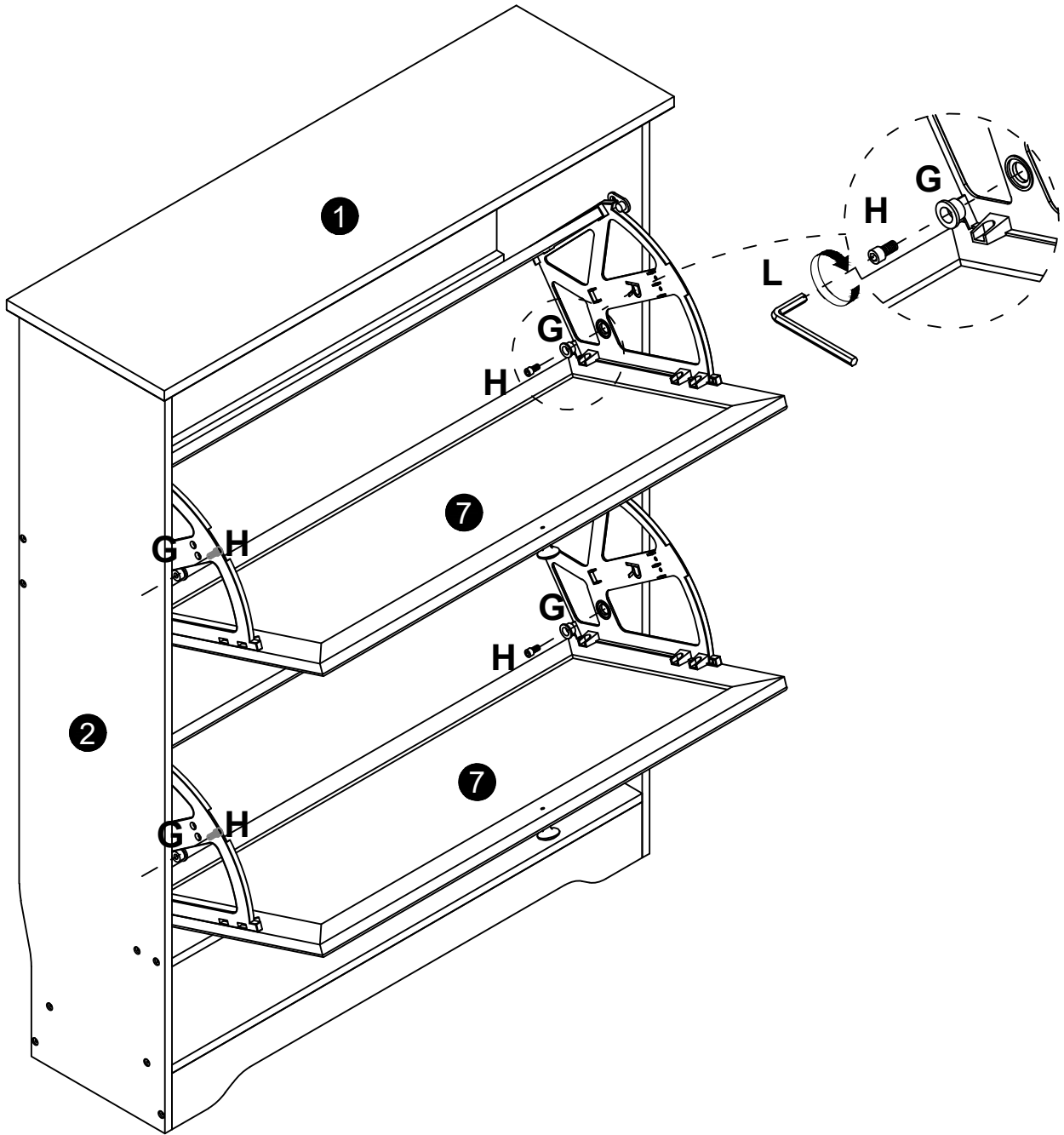
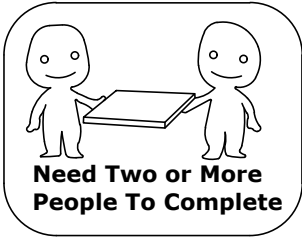


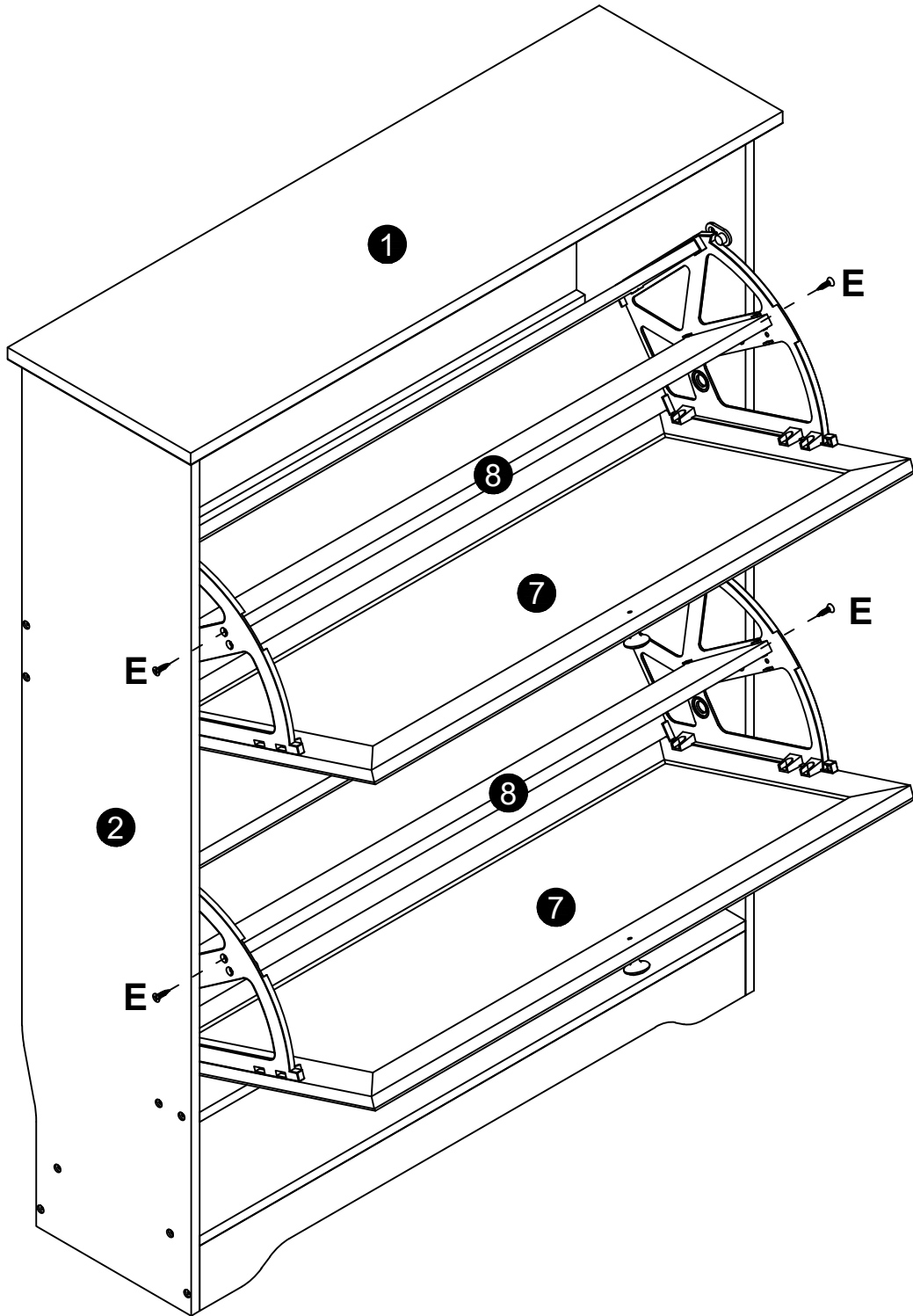
x2

G x4

H x4

L x1





○ x16

