

FILAMENT

CANDLE

ETC

4W & 5W



4W



5W



SPECIFICATIONS

ELECTRICAL

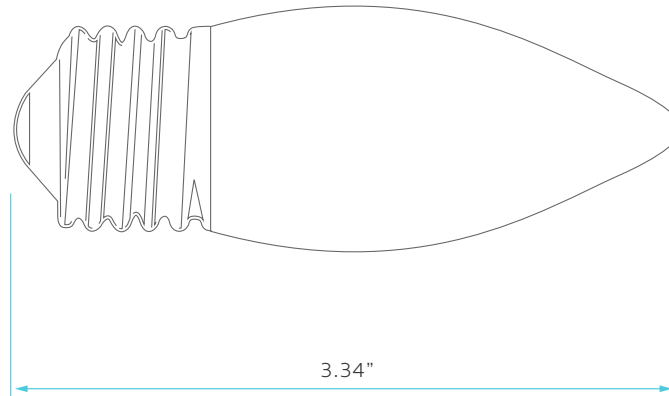
	MODEL	DESCRIPTION	POWER	INPUT VOLTS	DIMMABLE	EFFICACY (LPW)	FREQUENCY	LIFETIME	WATT REPLACEMENT
4W	LR21243	LED4ETC/CL/27K/D	4	120V	YES	108	60Hz	15,000	40W
	LR21602	LED5ETC/CL/27K/D	5	120V	YES	108	60Hz	15,000	60W
5W	LR21608	LED5ETC/CL/50K/D	5	120V	YES	108	60Hz	15,000	60W

PHOTOMETRIC

MODEL	COLOR (CCT)	TEMP	LUMEN	FLOOD	CRI	CASE	COST/YR	BASE TYPE	FINISH
LR21243	2700K	WARM WHITE	430	270°	80	30	\$ 0.48	E26	CLEAR
LR21602	2700K	WARM WHITE	550	270°	80	30	\$ 0.60	E26	CLEAR
LR21608	5000K	BRIGHT WHITE	550	270°	80	30	\$ 0.60	E26	CLEAR

GENERAL

DIMENSIONS



ETC