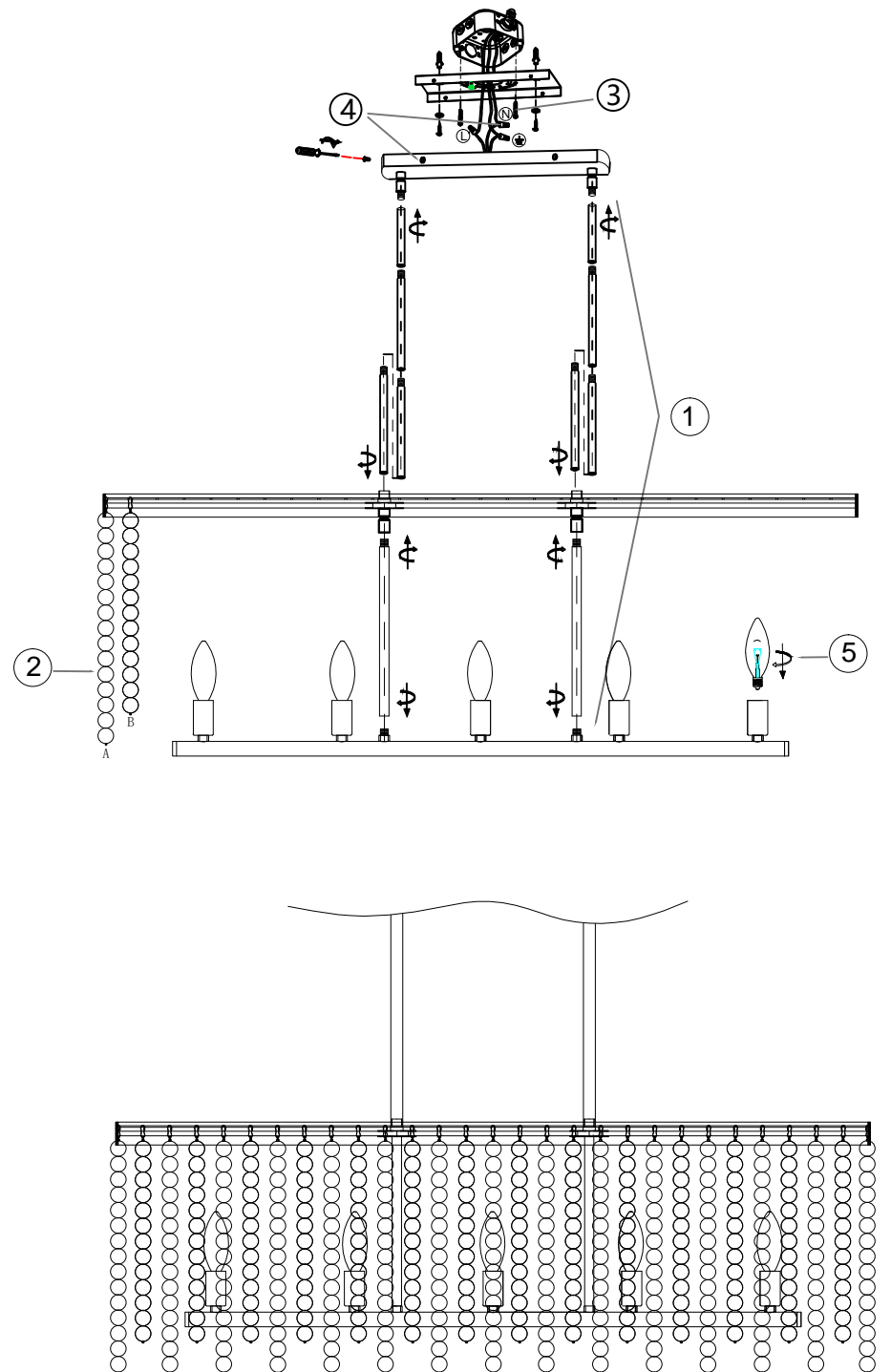
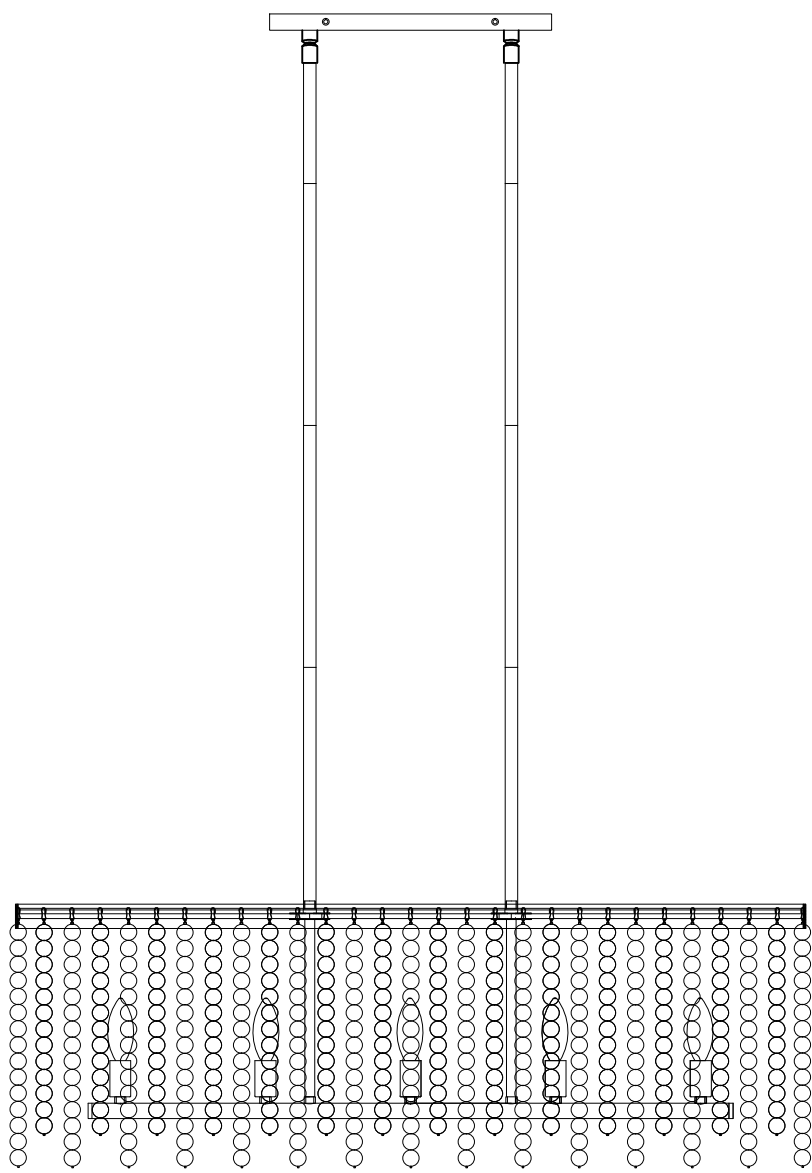


8207PL-05GD/BK-US



1 : Connect the boom to the lamp body and the ceiling disc

2 : Hang the crystal string on the upper and lower metal rings as shown in the figure.

3 : Screw on the terminal cap in the correct way

4 : Screw the mounting plate to the junction box

Then fix the screws on both sides of the set-top box on the hanging plate

5 : Install light bulb (E12 socket).