



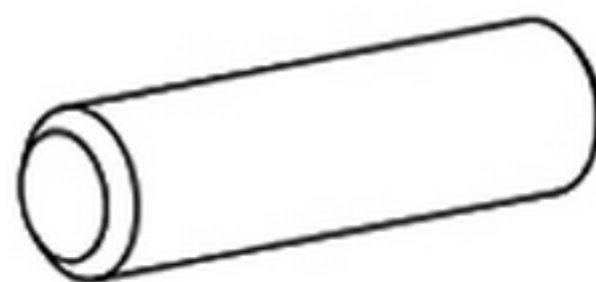
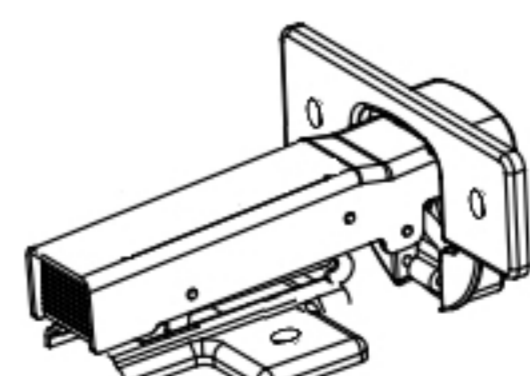



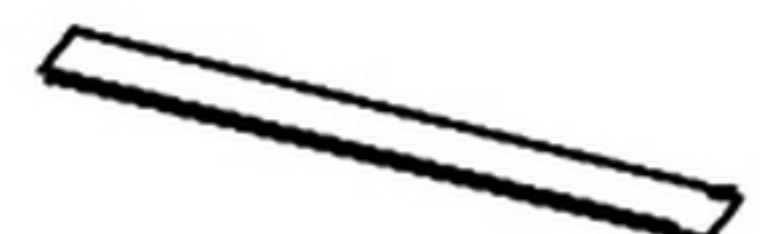

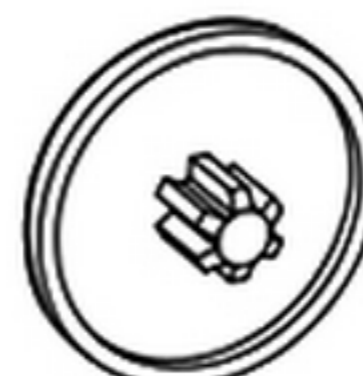


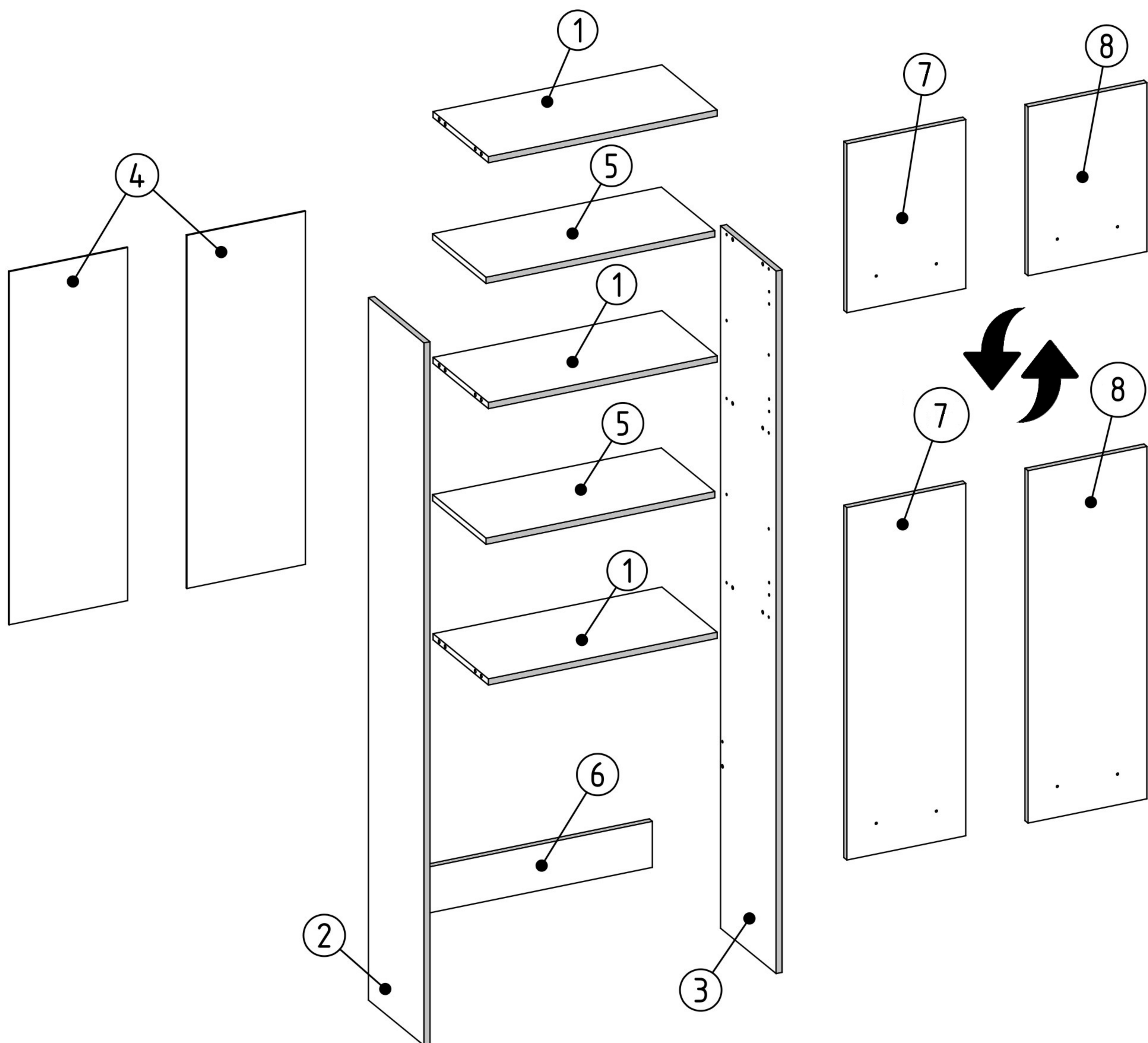
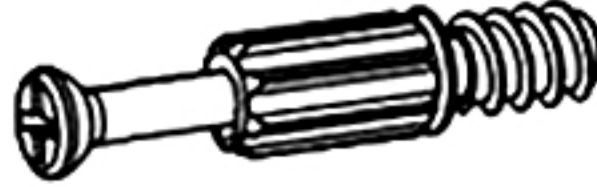


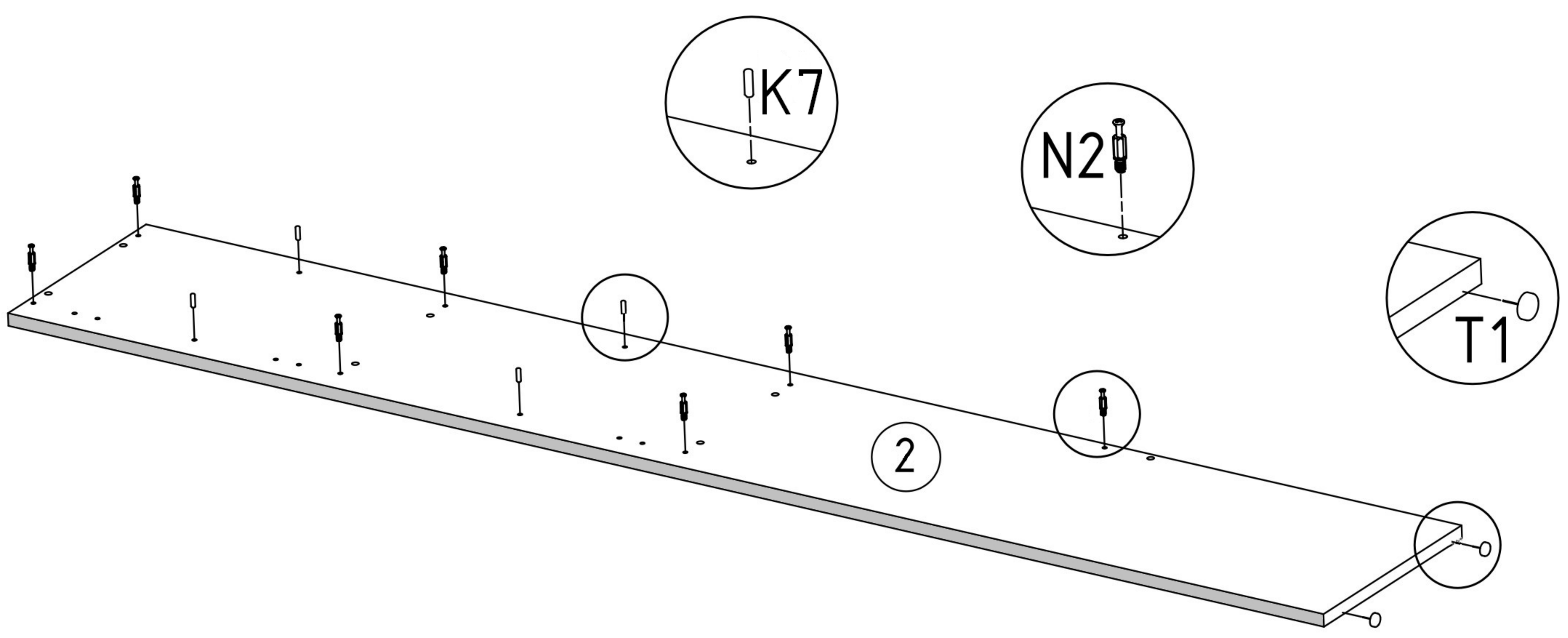
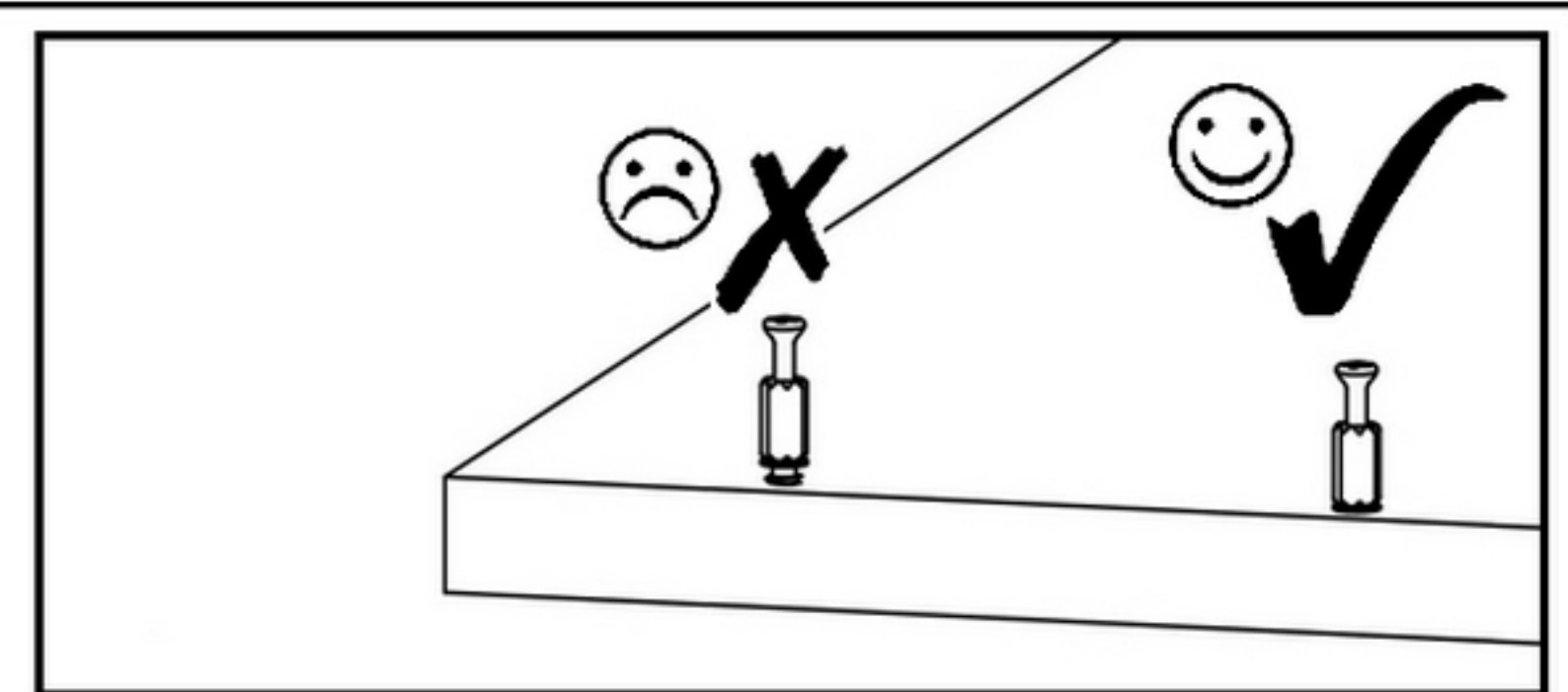





<b>N2</b>  L=45mm <b>x14</b>	<b>M1</b>  12x15mm <b>x14</b>	<b>S5</b>  4x25mm <b>x4</b>	<b>S1</b>  3,5x16mm <b>x8</b>	<b>E2</b>  8x35mm <b>x14</b>	<b>A1</b>  ZP <b>x4</b>	<b>K2</b>  <b>x1</b>
<b>T1</b>  <b>x4</b>	<b>Z1</b>  <b>x20</b>	<b>L1</b>  L=890mm <b>x 1</b>	<b>K7</b>  L=16mm <b>x 8</b>	<b>M2</b>  $\phi$ 15mm <b>x14</b>	<b>K5</b>  $\phi$ 6mm <b>x4</b>	<b>U1</b>  L=180mm <b>x2</b>

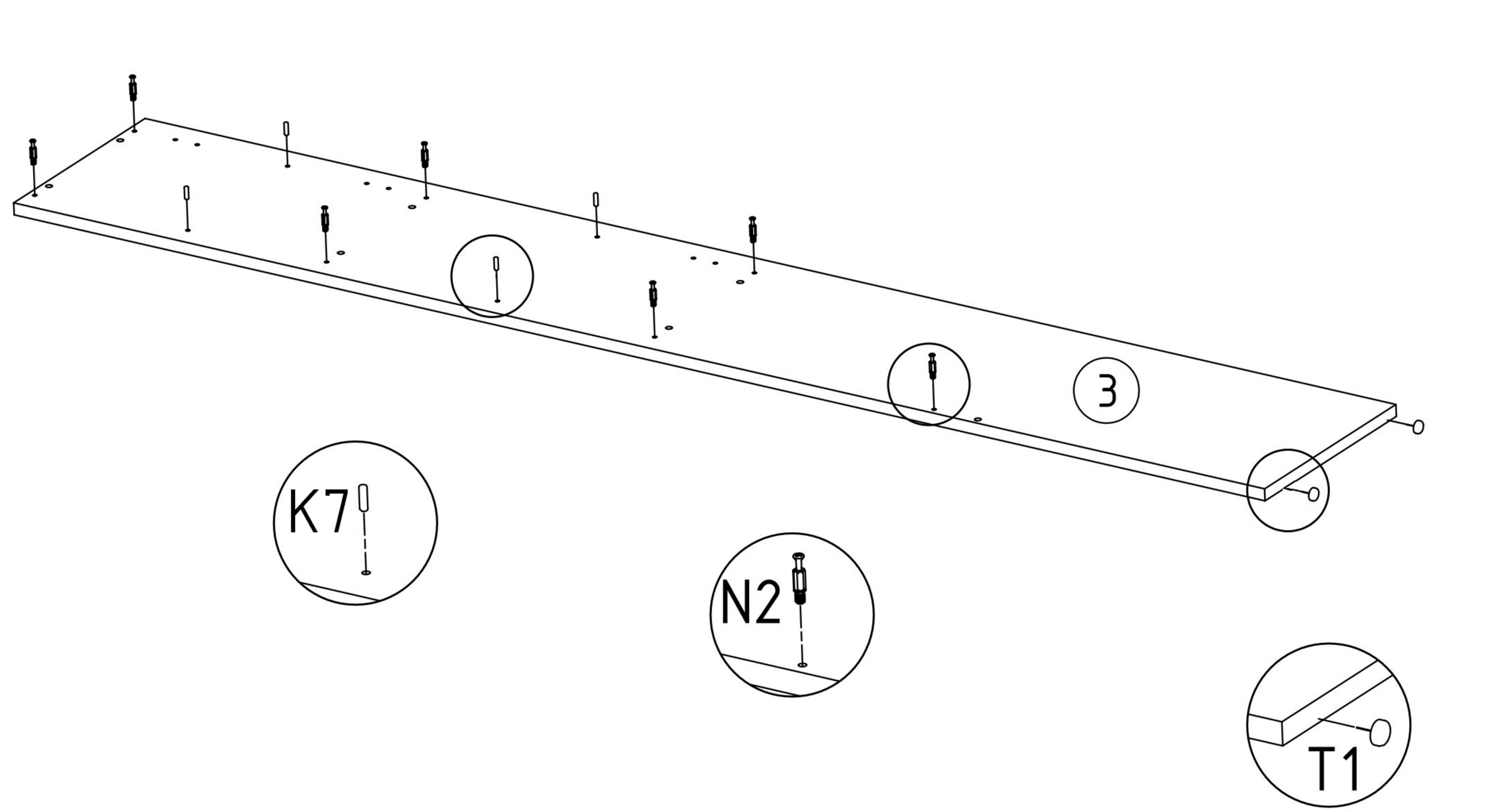
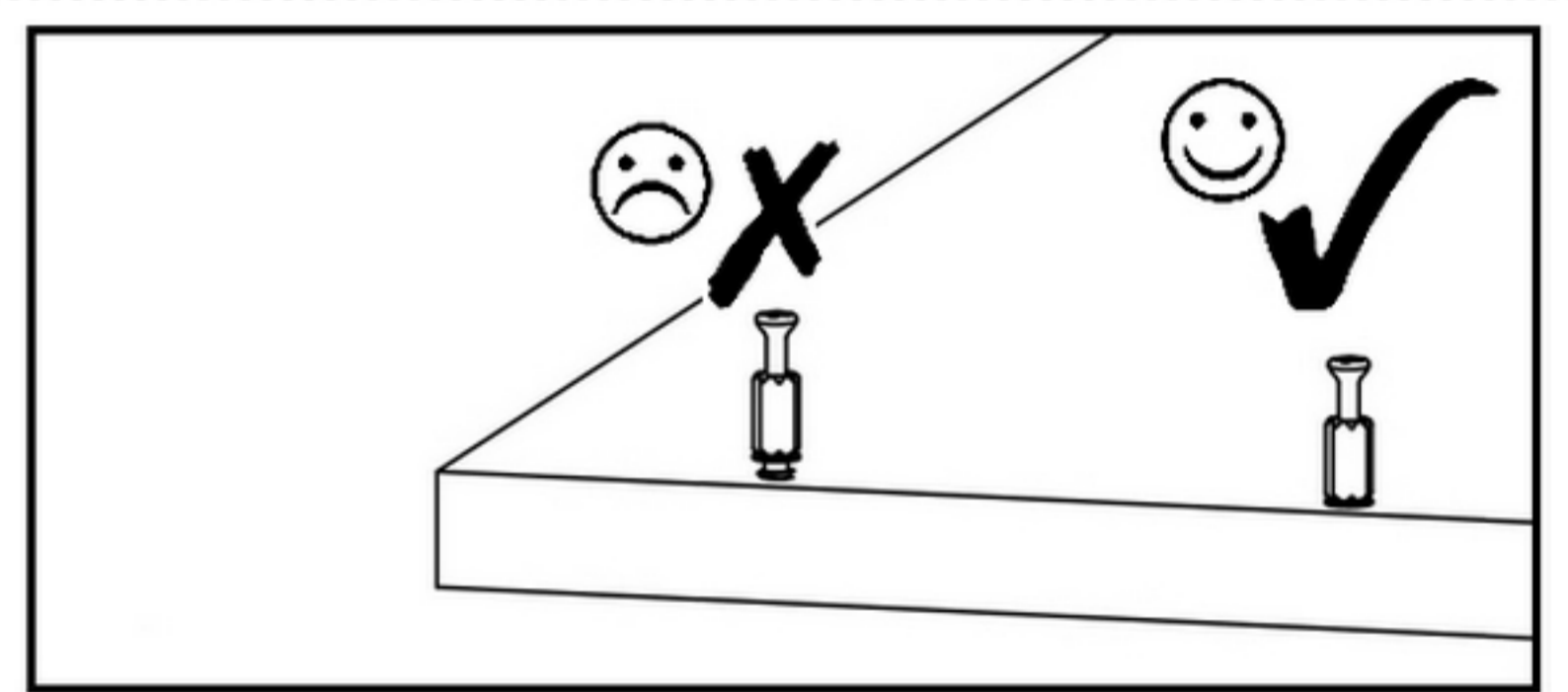


<b>1</b>	x	3
<b>2</b>	x	1
<b>3</b>	x	1
<b>4</b>	x	2
<b>5</b>	x	2
<b>6</b>	x	1
<b>7</b>	x	1
<b>8</b>	x	1

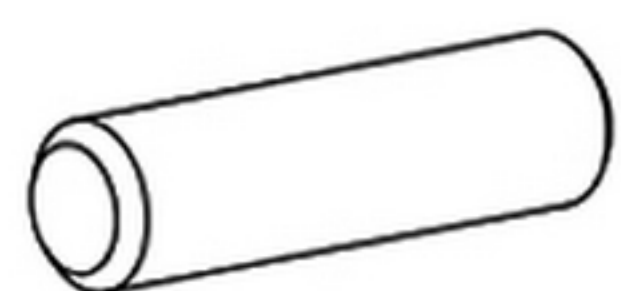
<p><b>N2</b></p>  <p>L=45mm <b>x7</b></p>	<p><b>K7</b></p>  <p>L=16mm <b>x4</b></p>	<p><b>T1</b></p>  <p><b>x2</b></p>
---	--	---



<p><b>N2</b></p>  <p>L=45mm <b>x7</b></p>	<p><b>K7</b></p>  <p>L=16mm <b>x4</b></p>	<p><b>T1</b></p>  <p><b>x2</b></p>
---	--	---



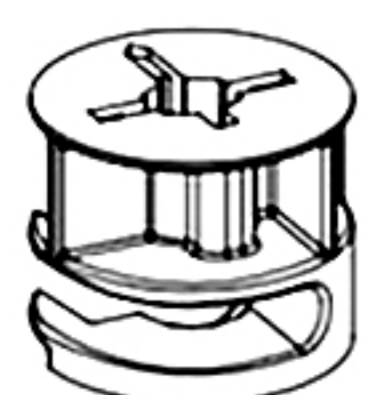
**E2**



8x35mm

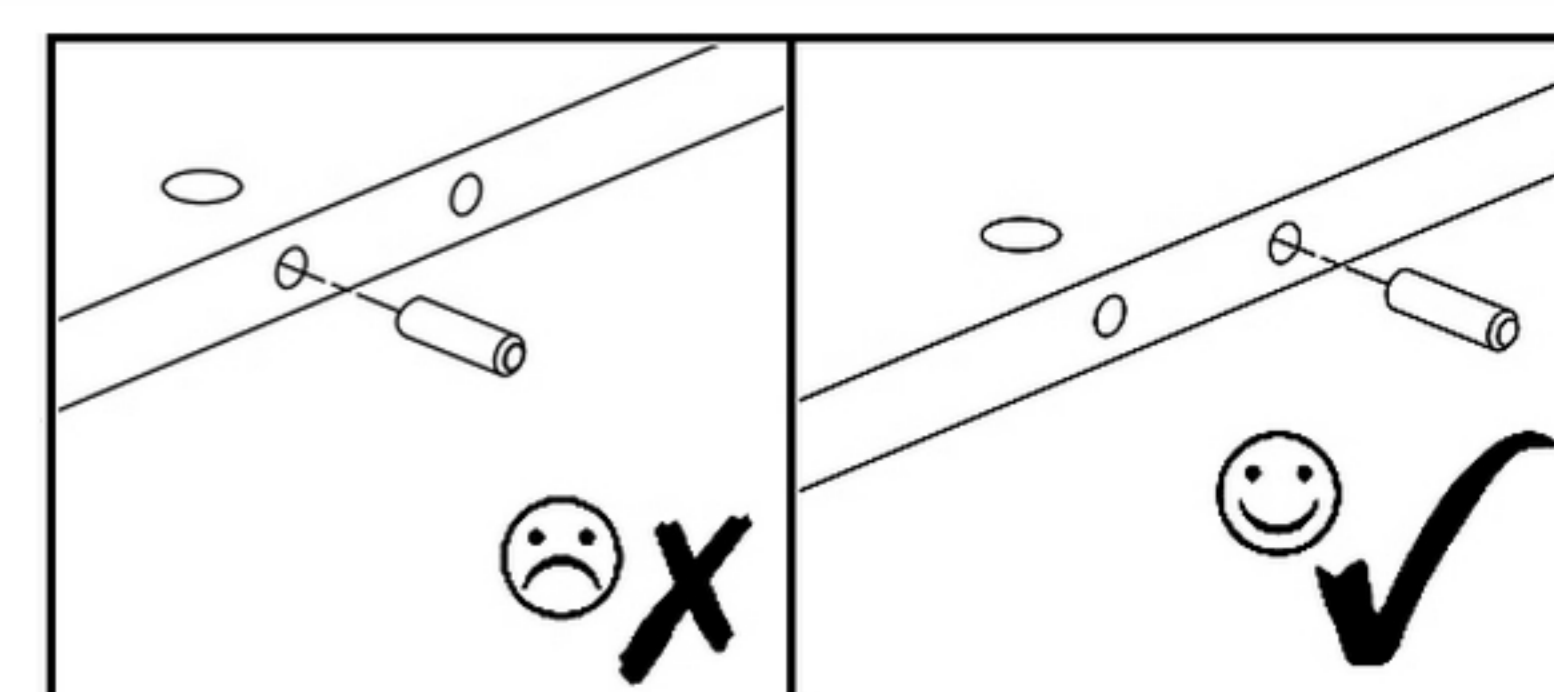
**x12**

**M1**

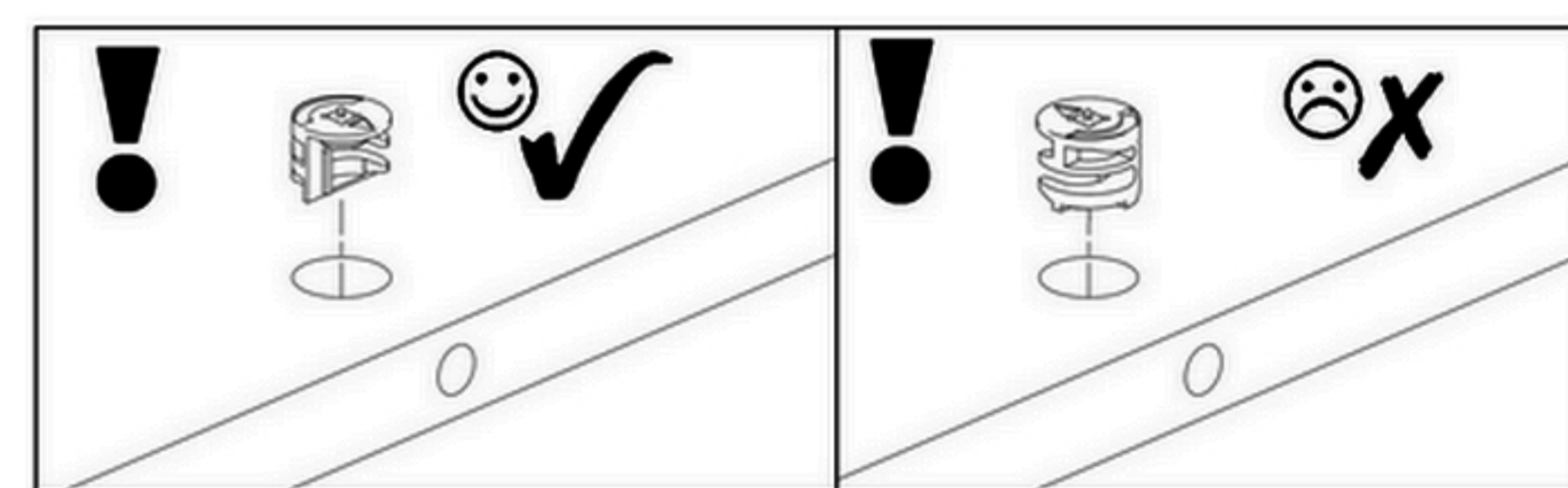
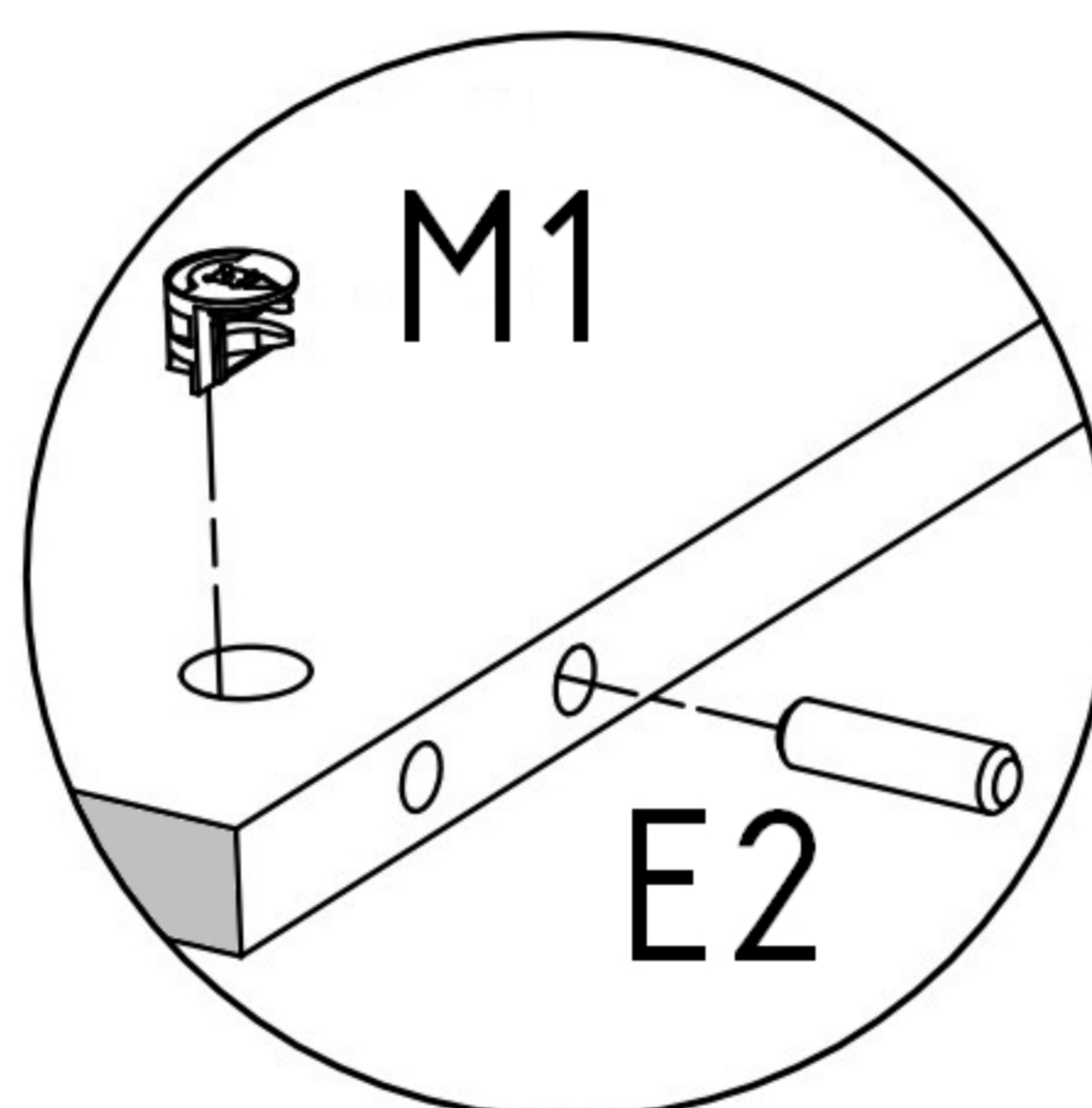
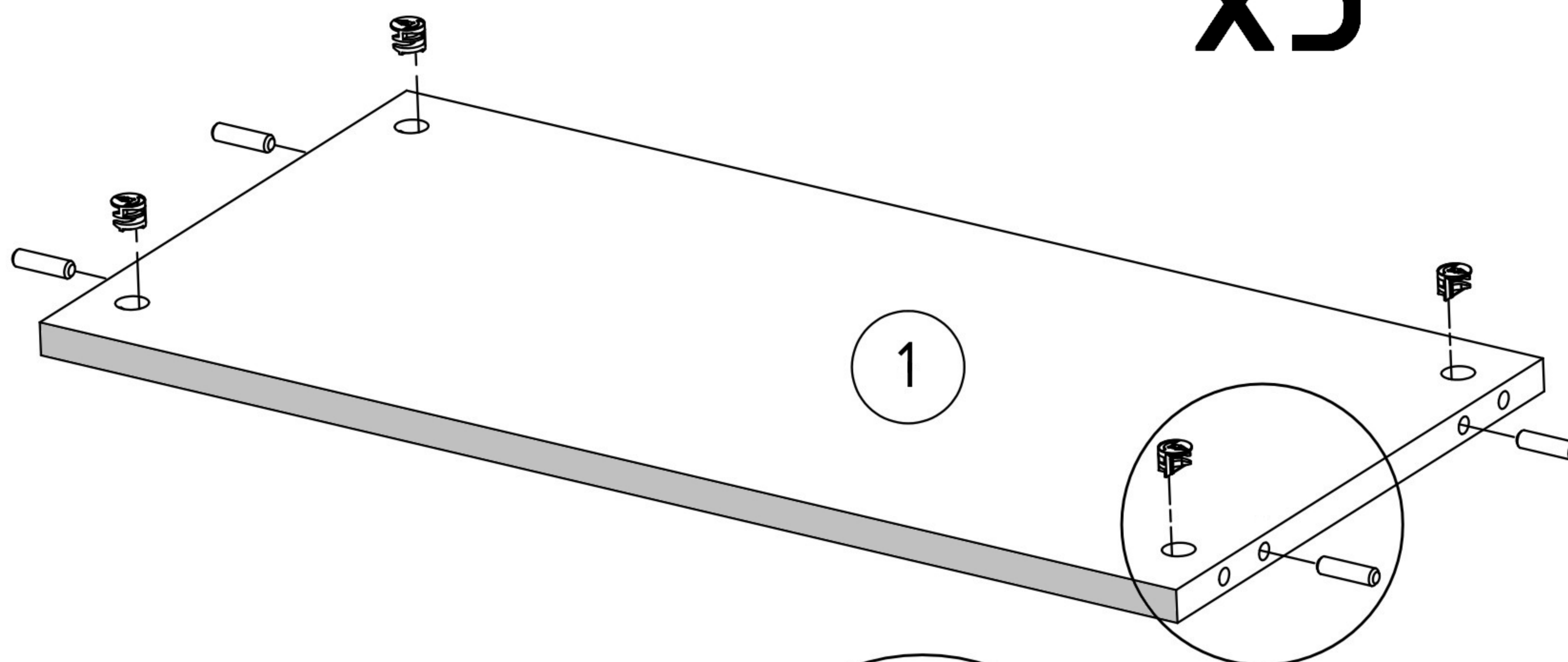


12x15mm

**x12**



**x3**



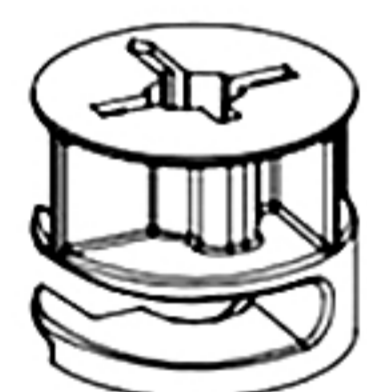
**E2**



8x35mm

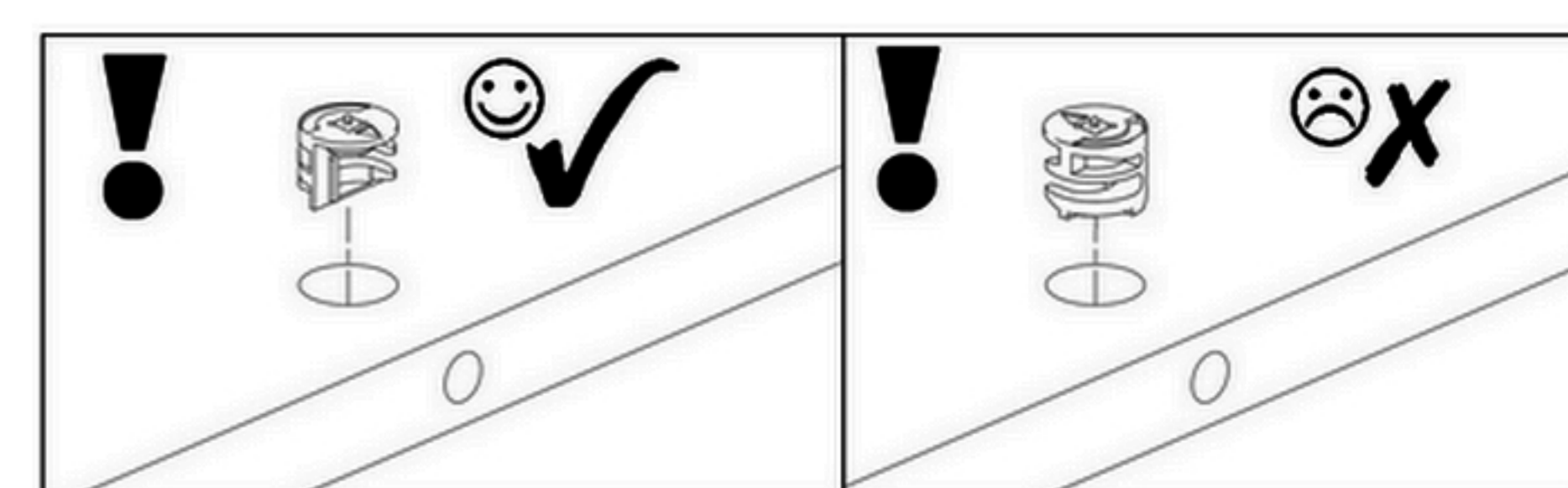
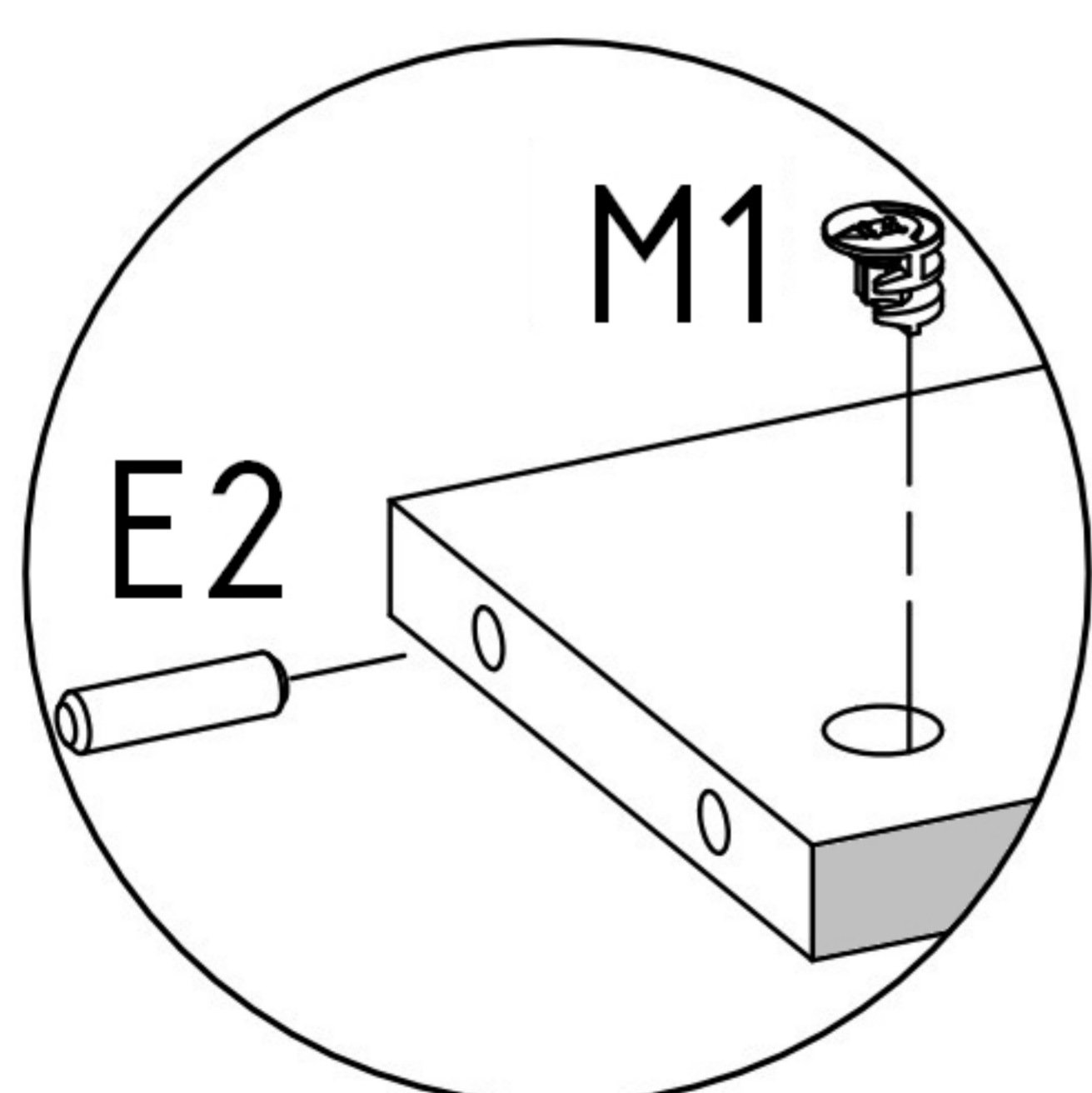
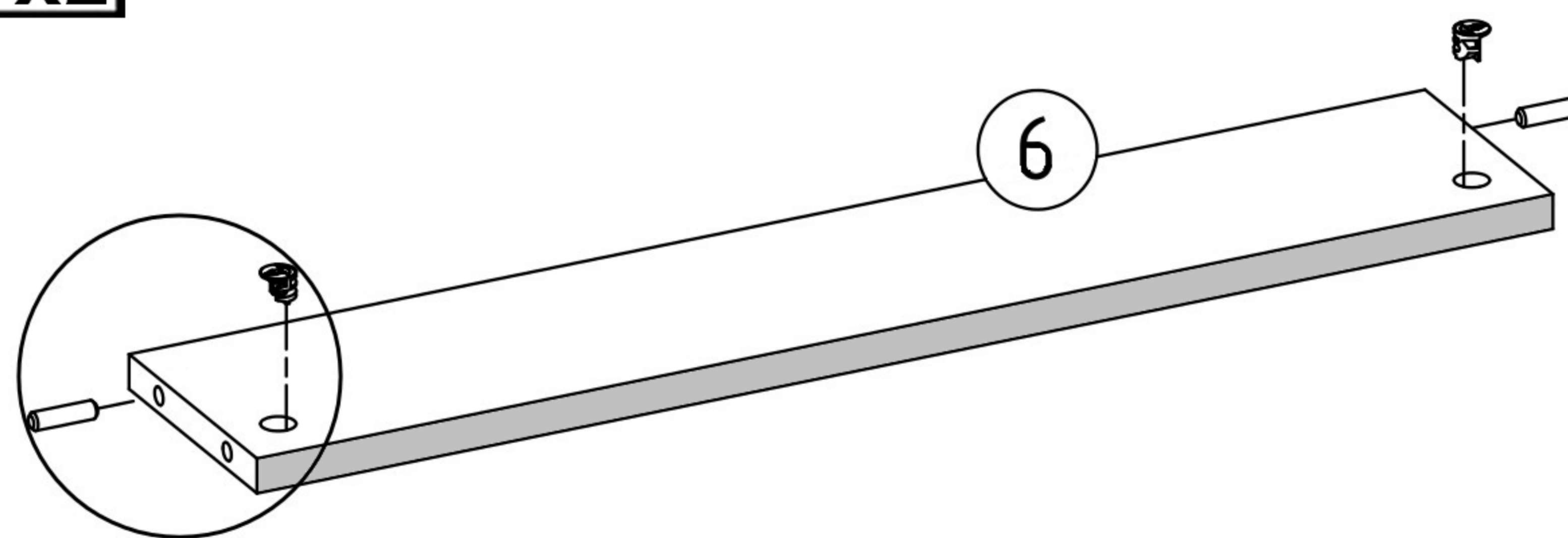
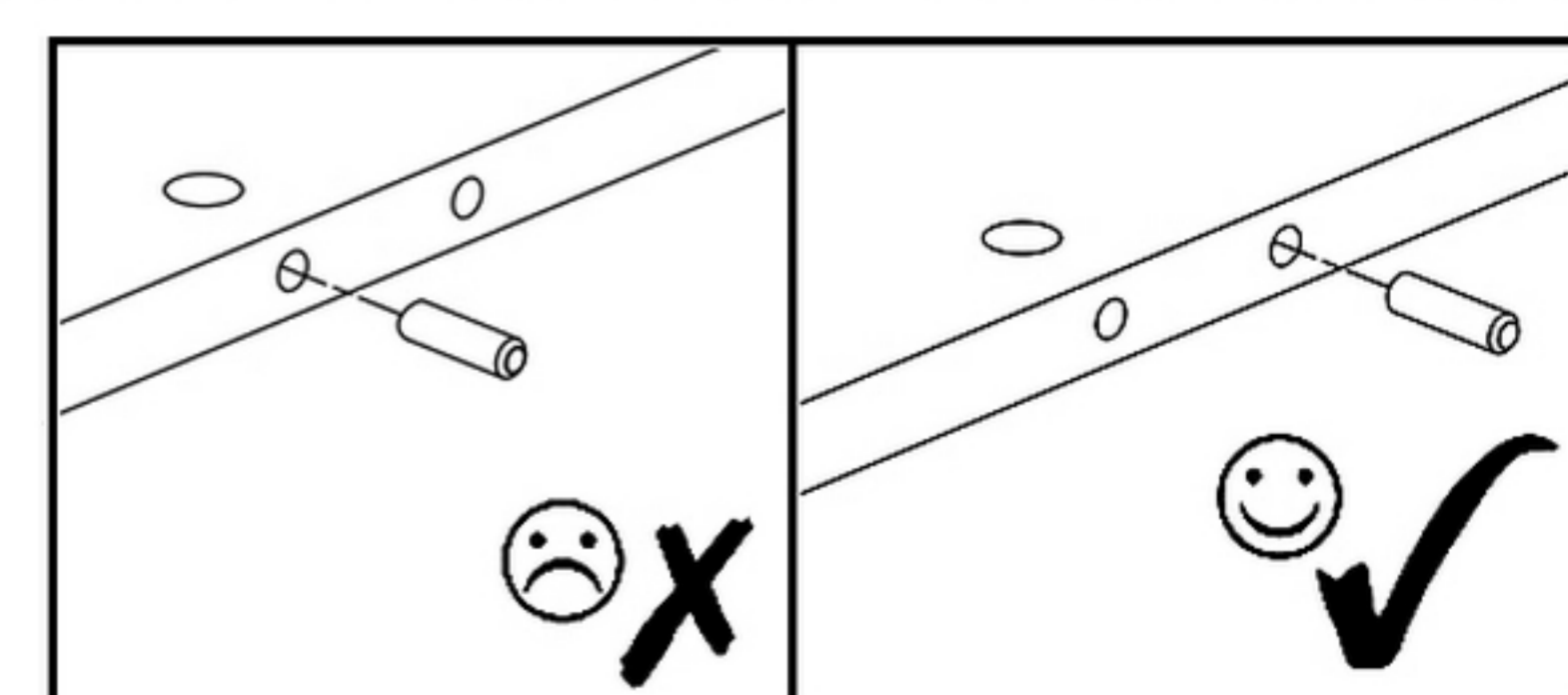
**x2**

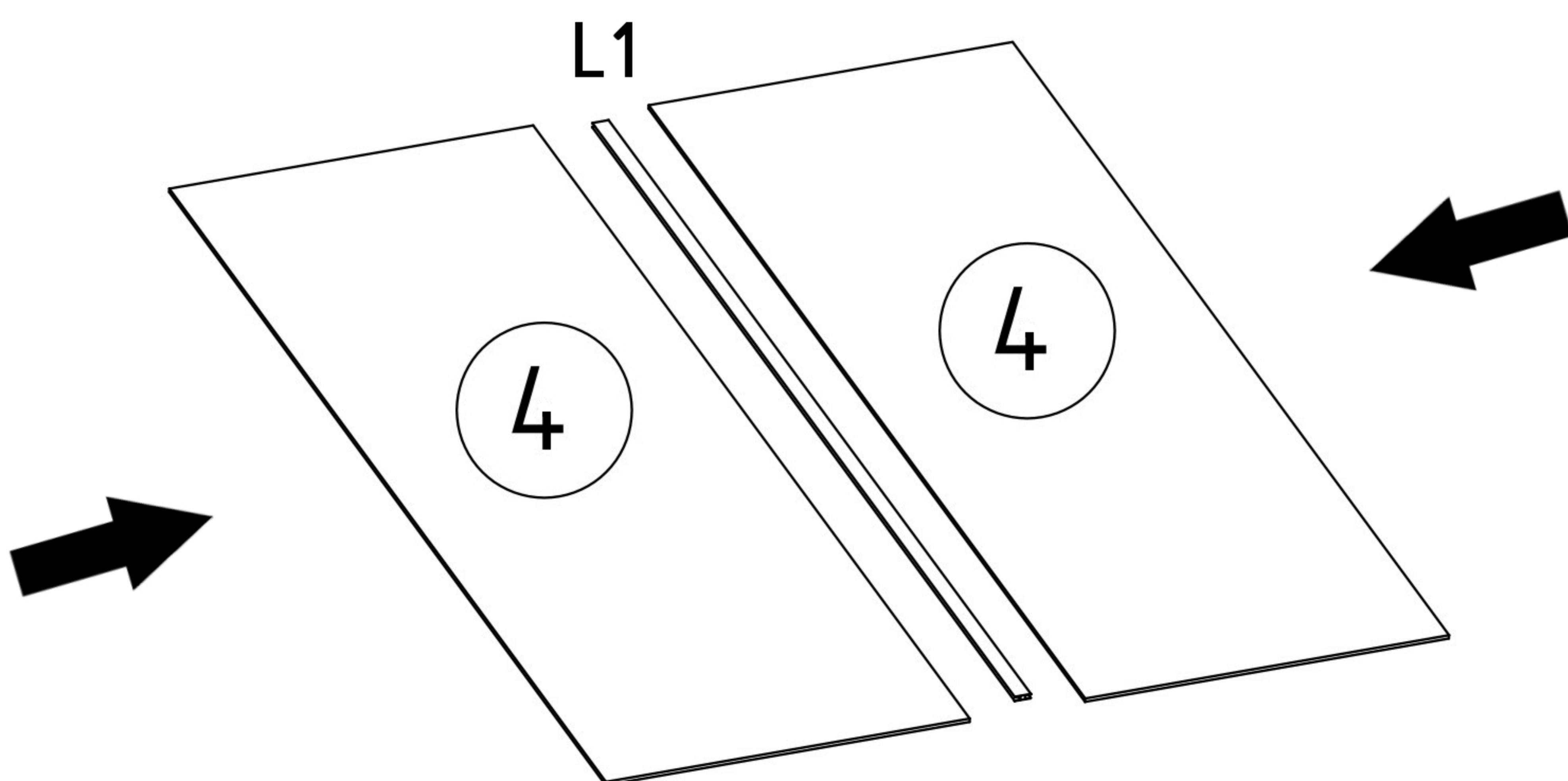
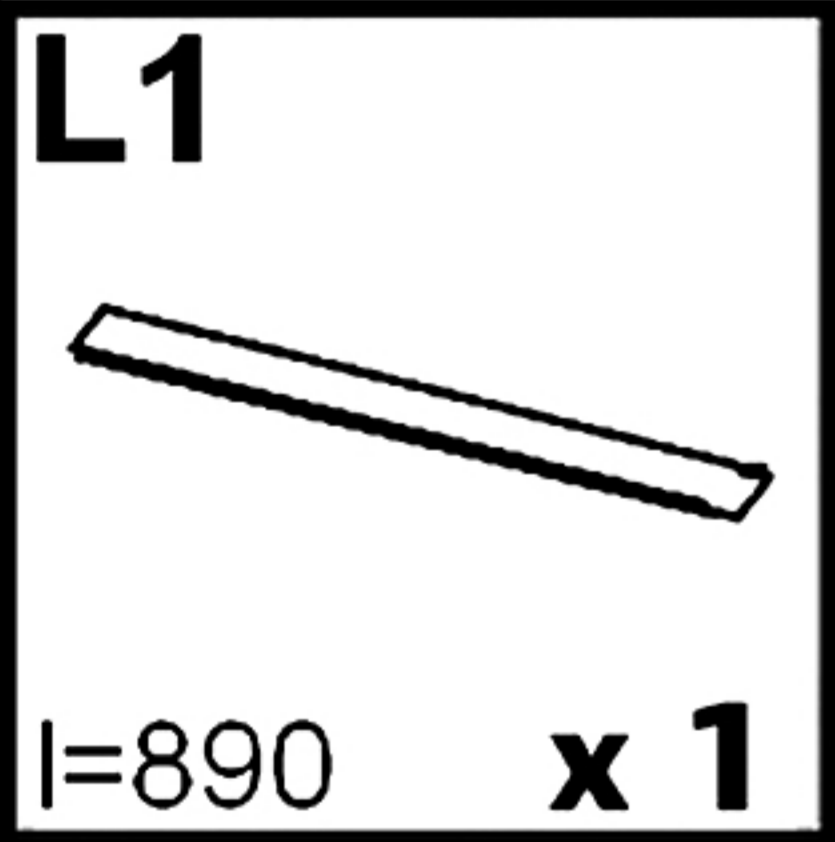
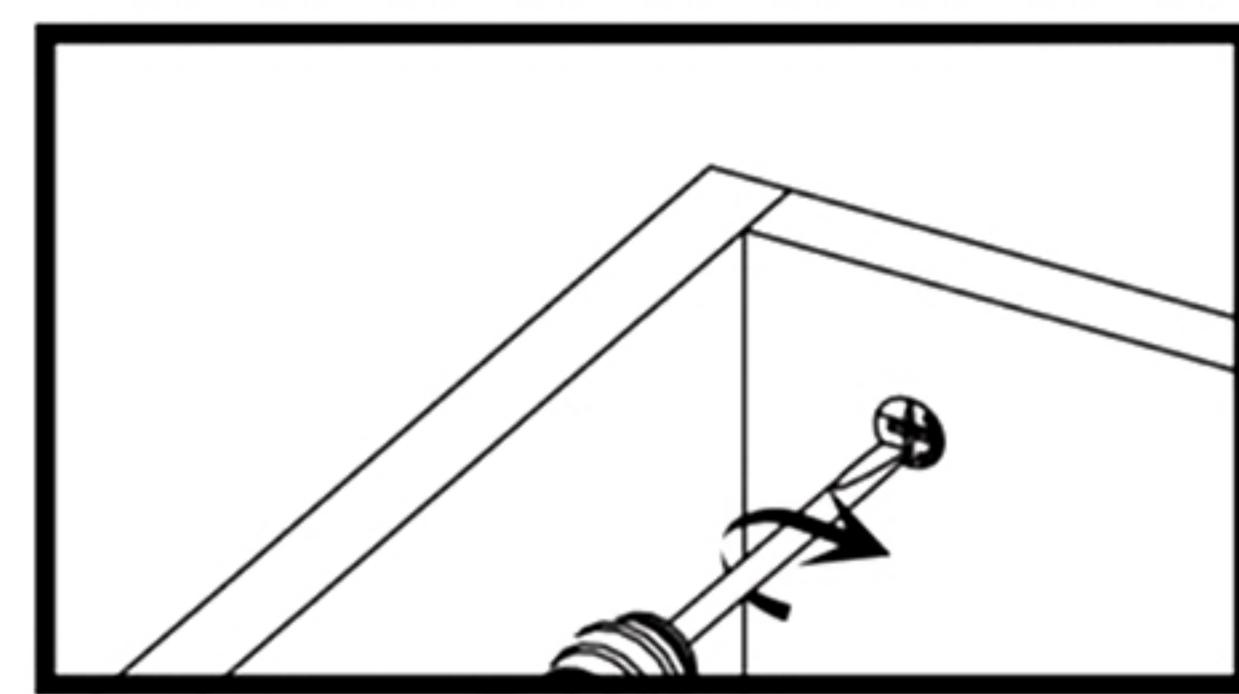
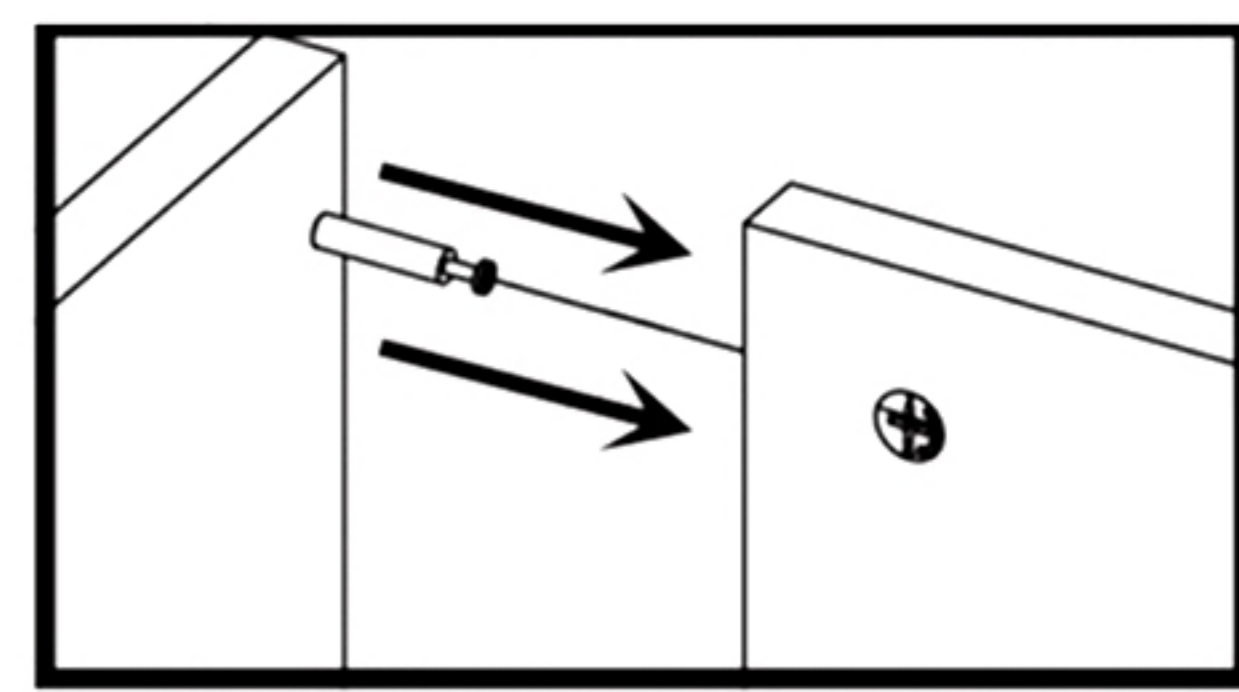
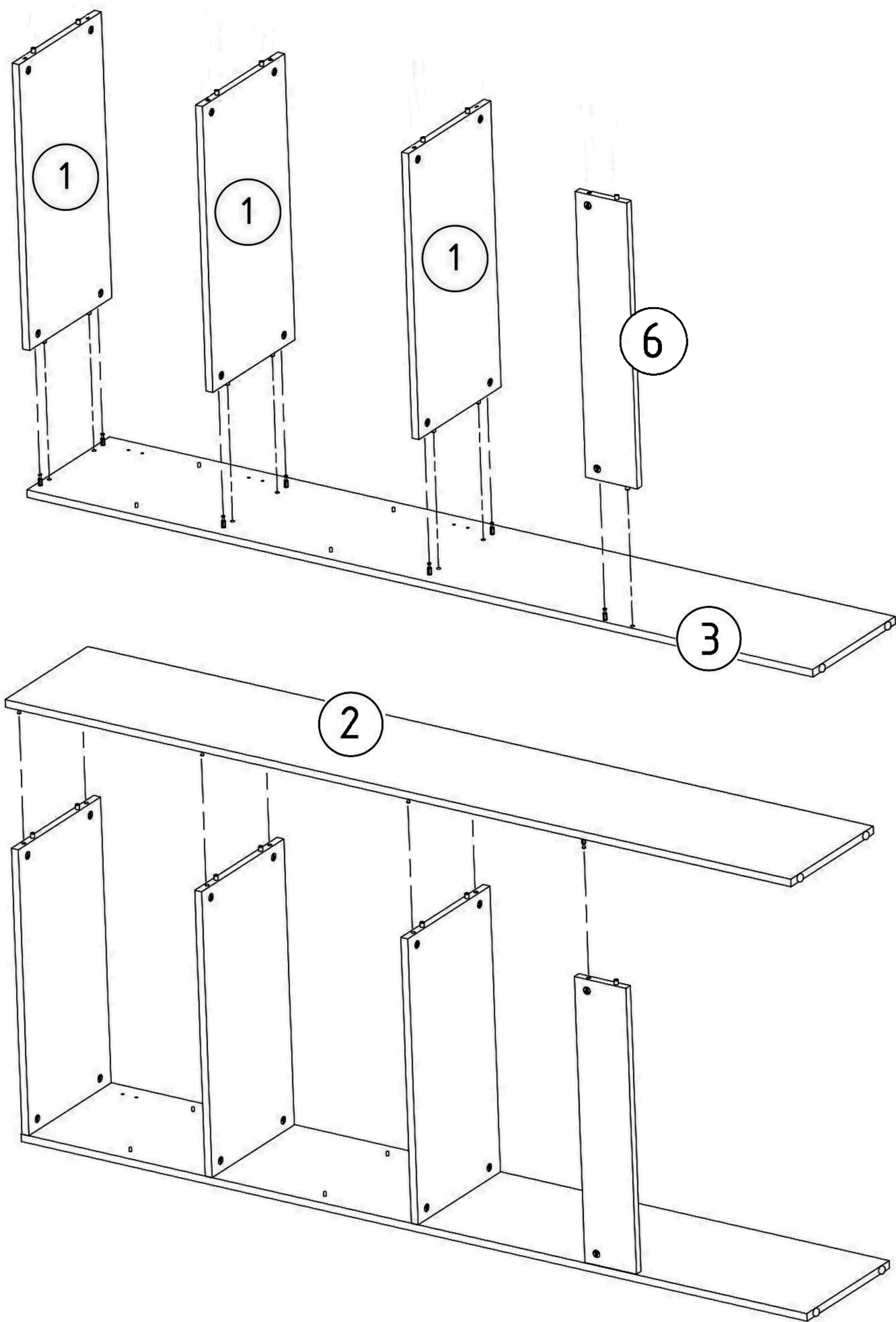
**M1**



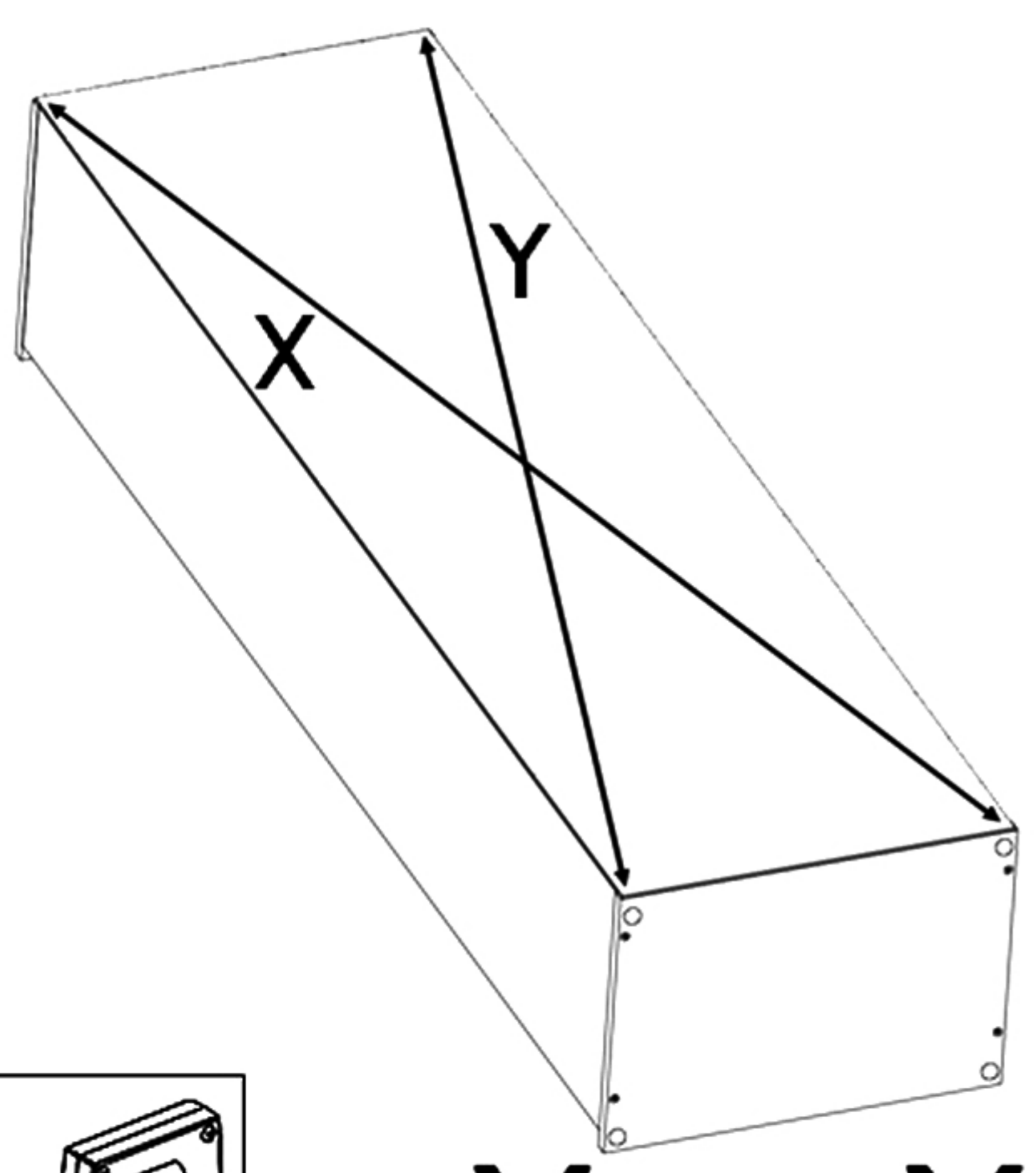
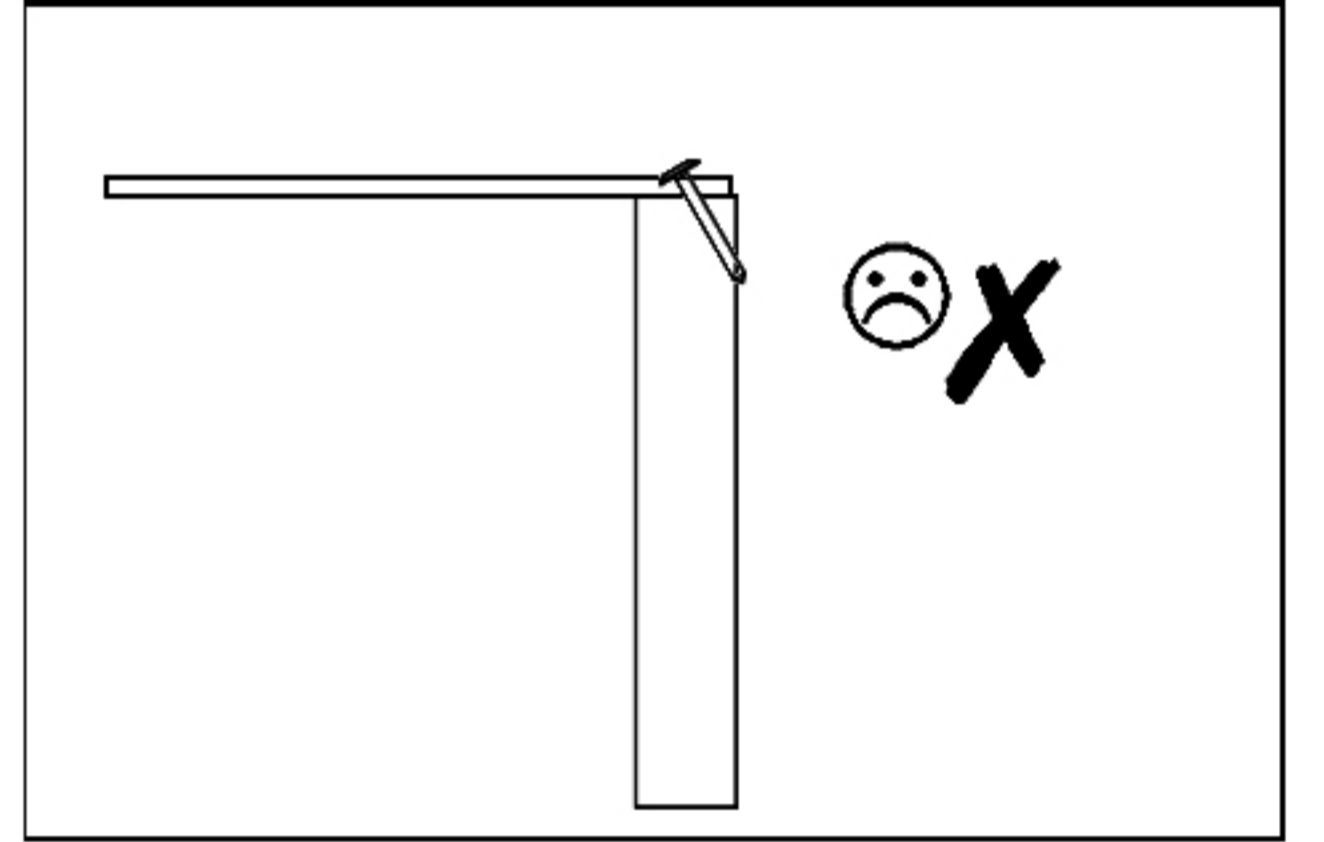
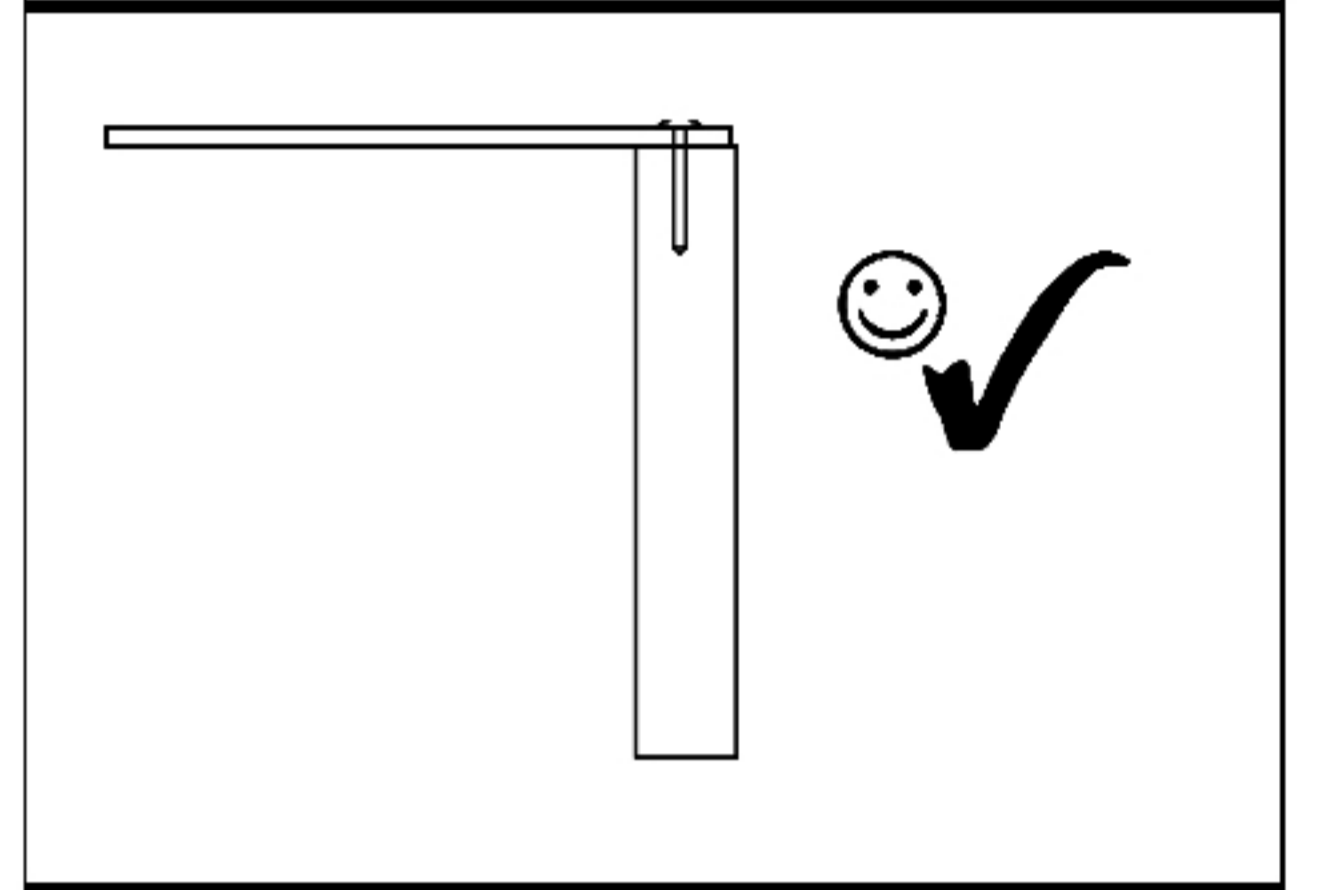
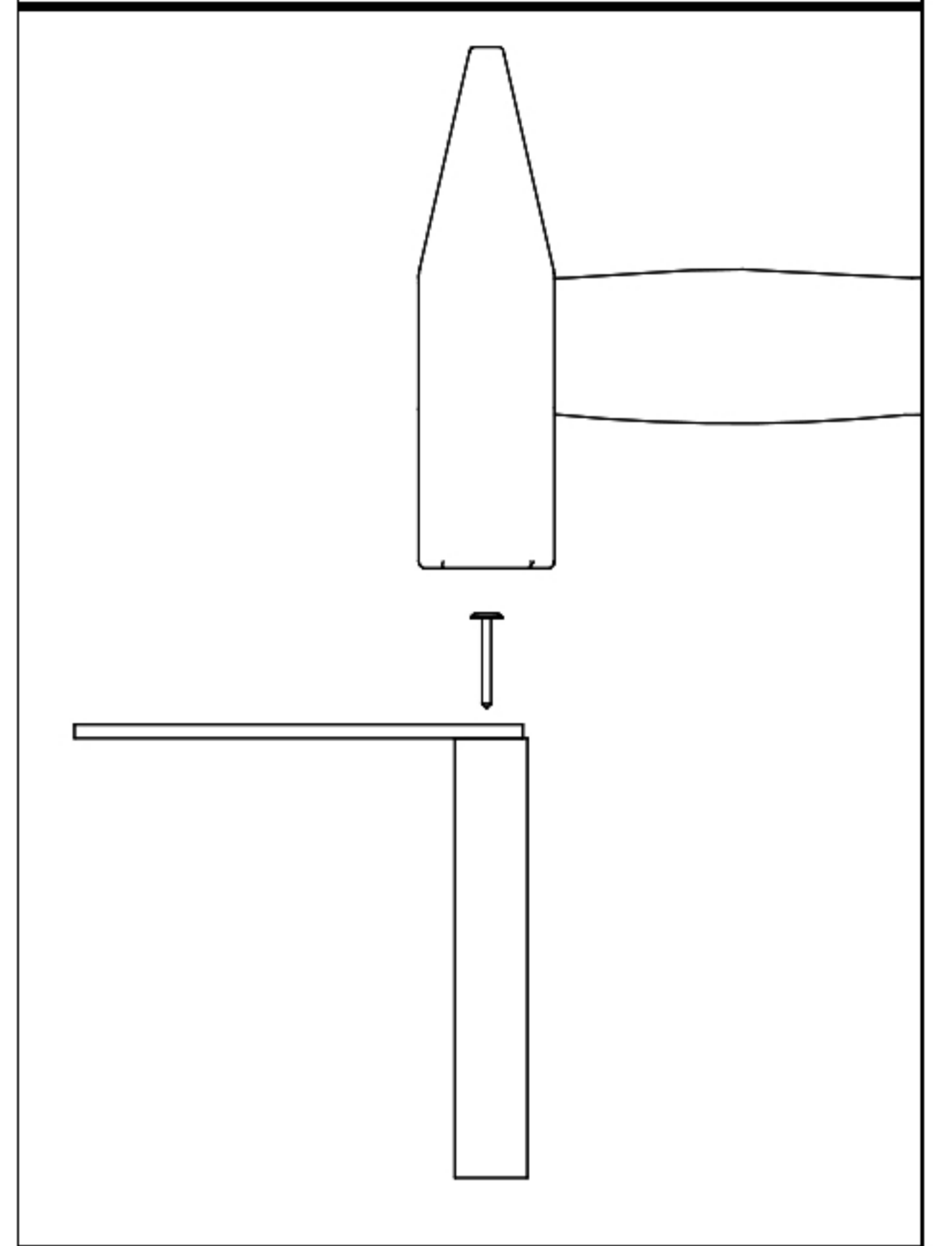
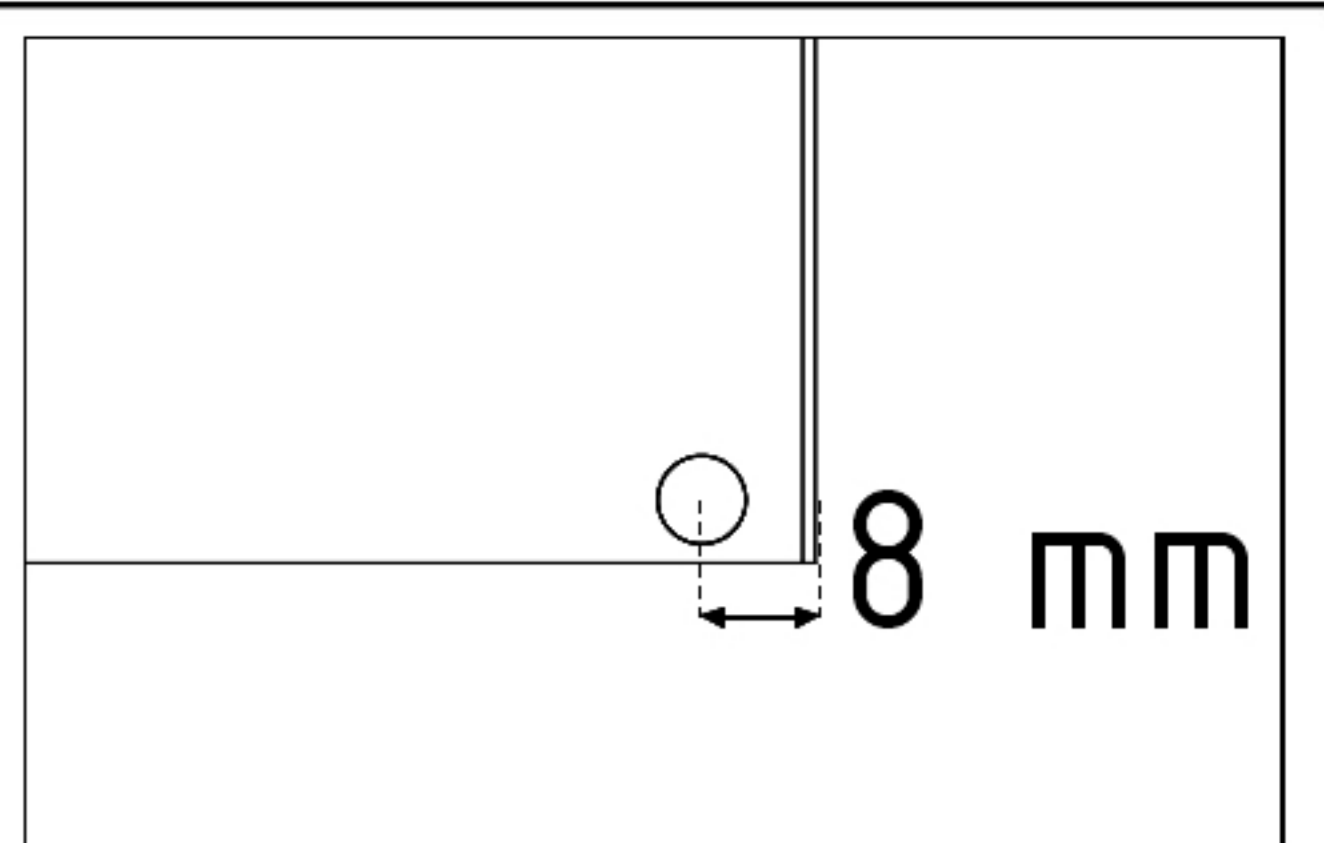
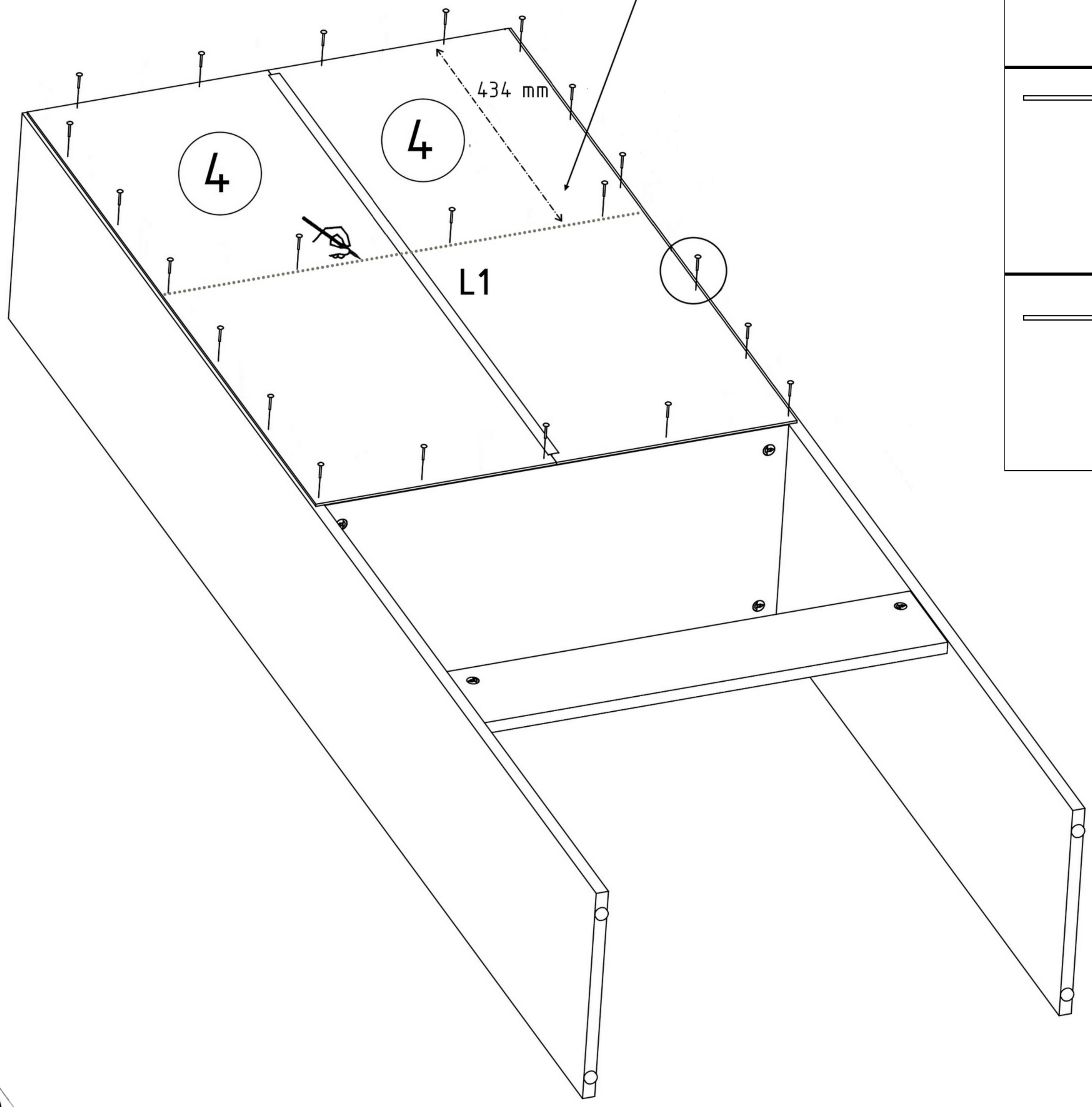
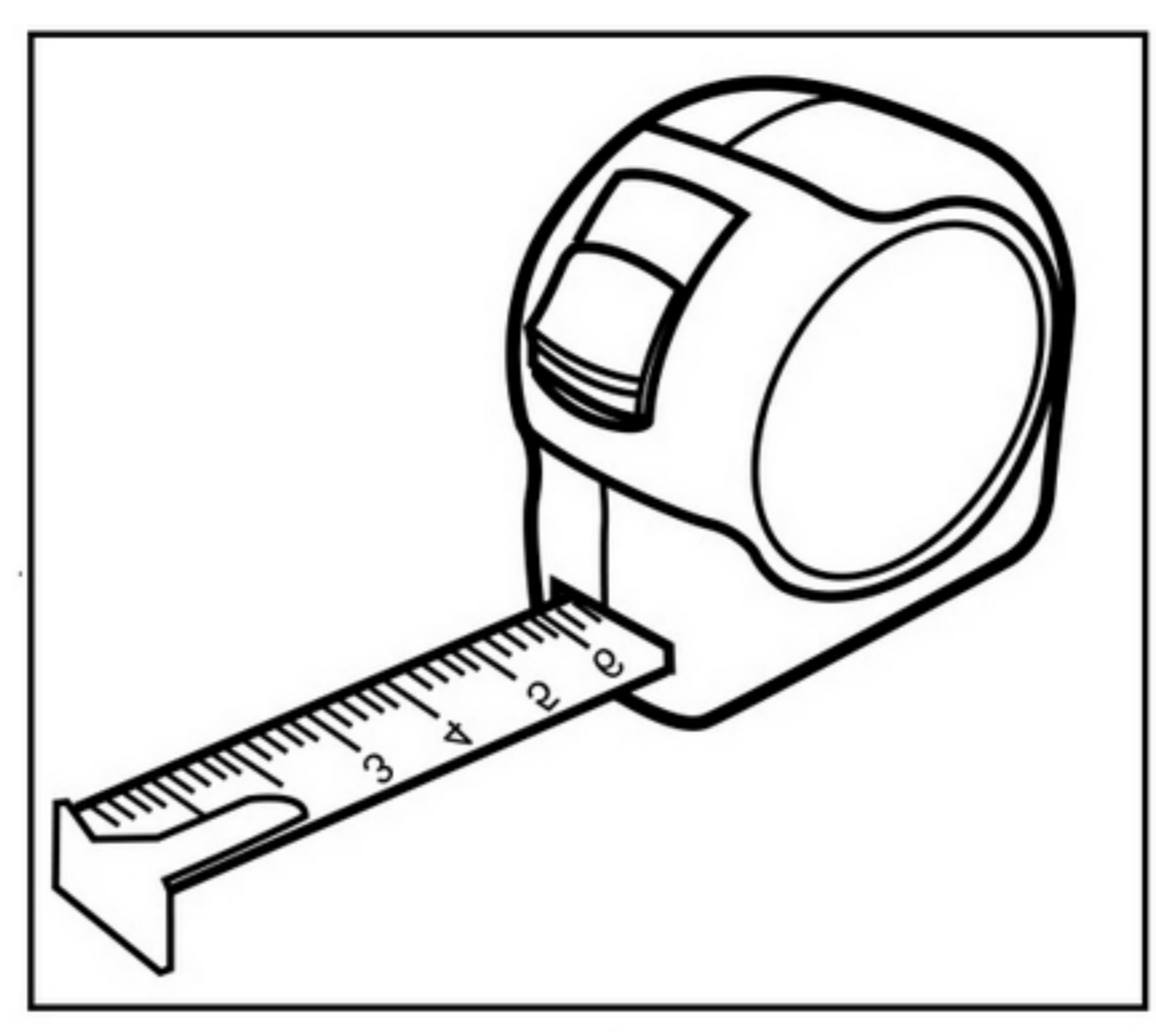
12x15mm

**x2**

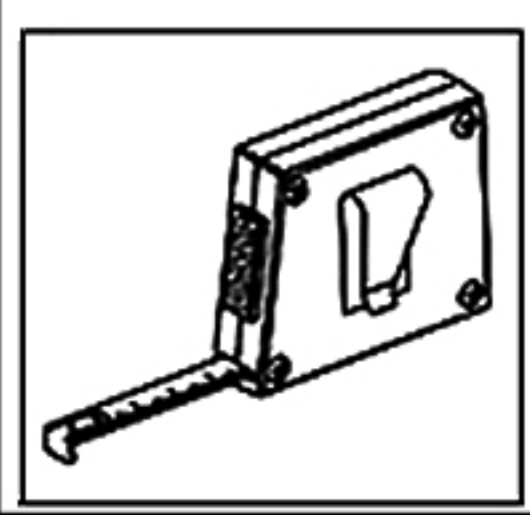


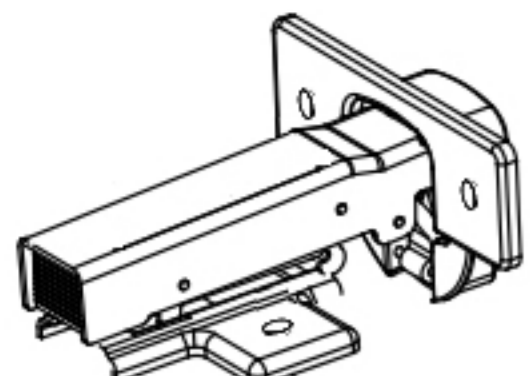





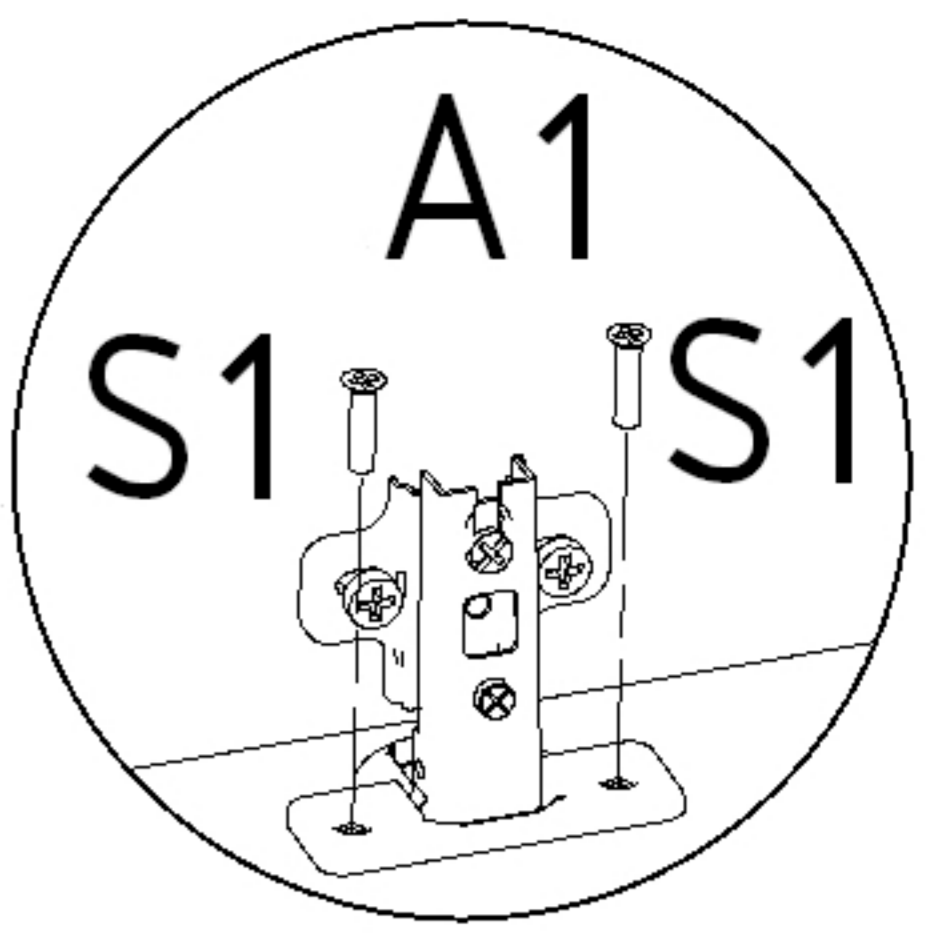
Z1  
x20



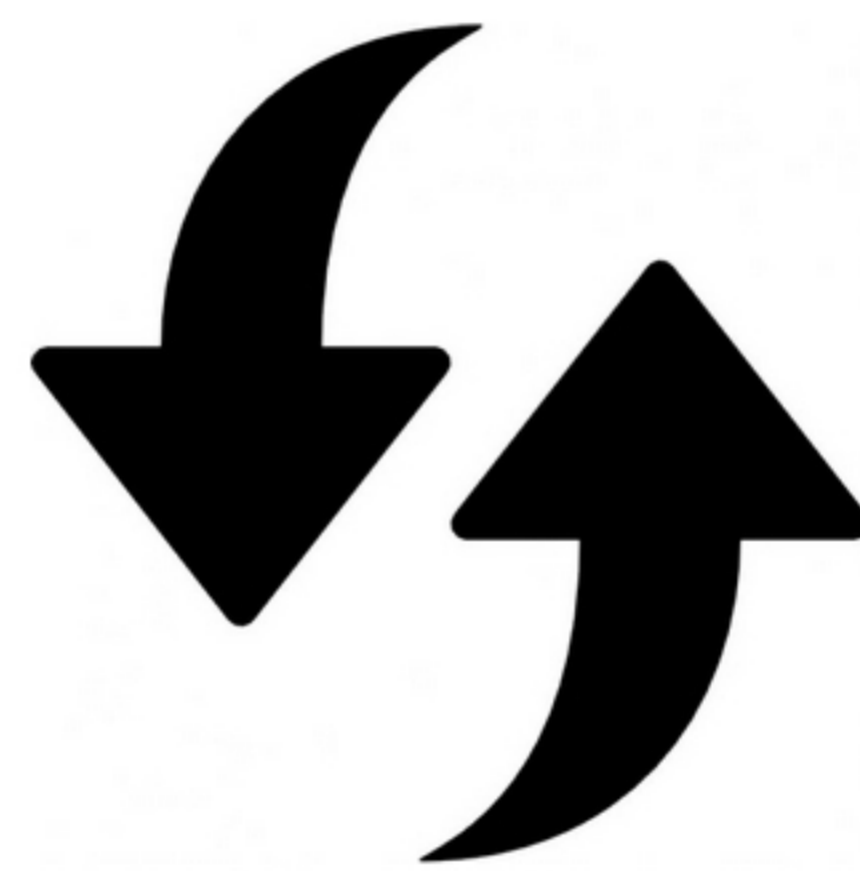
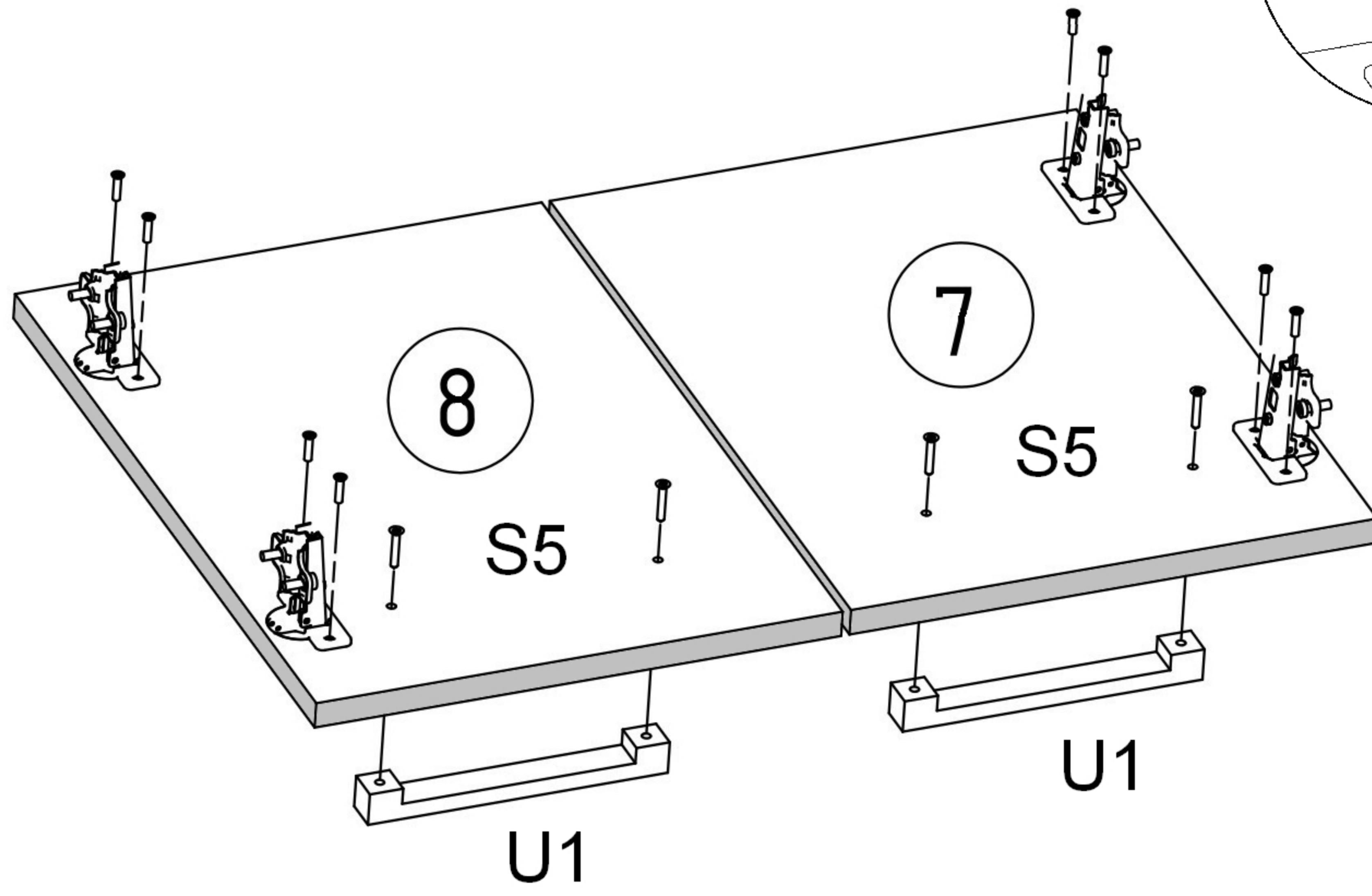
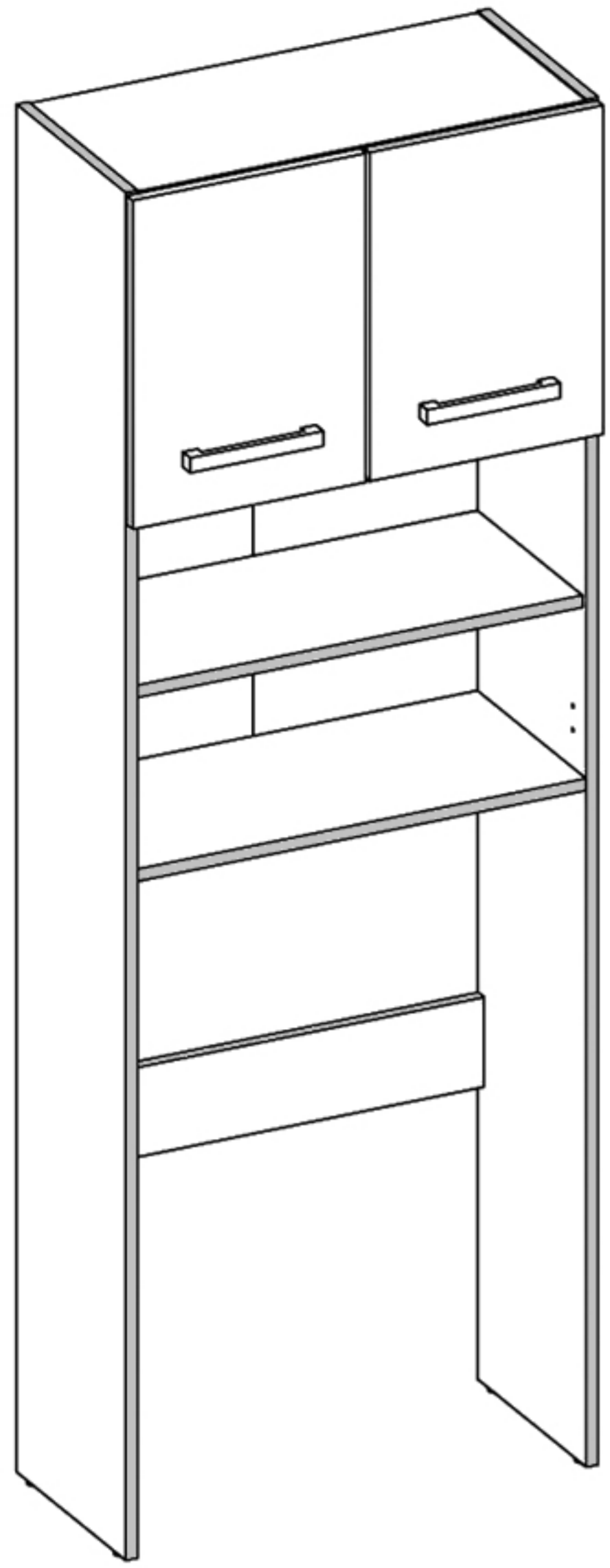
**X = Y**



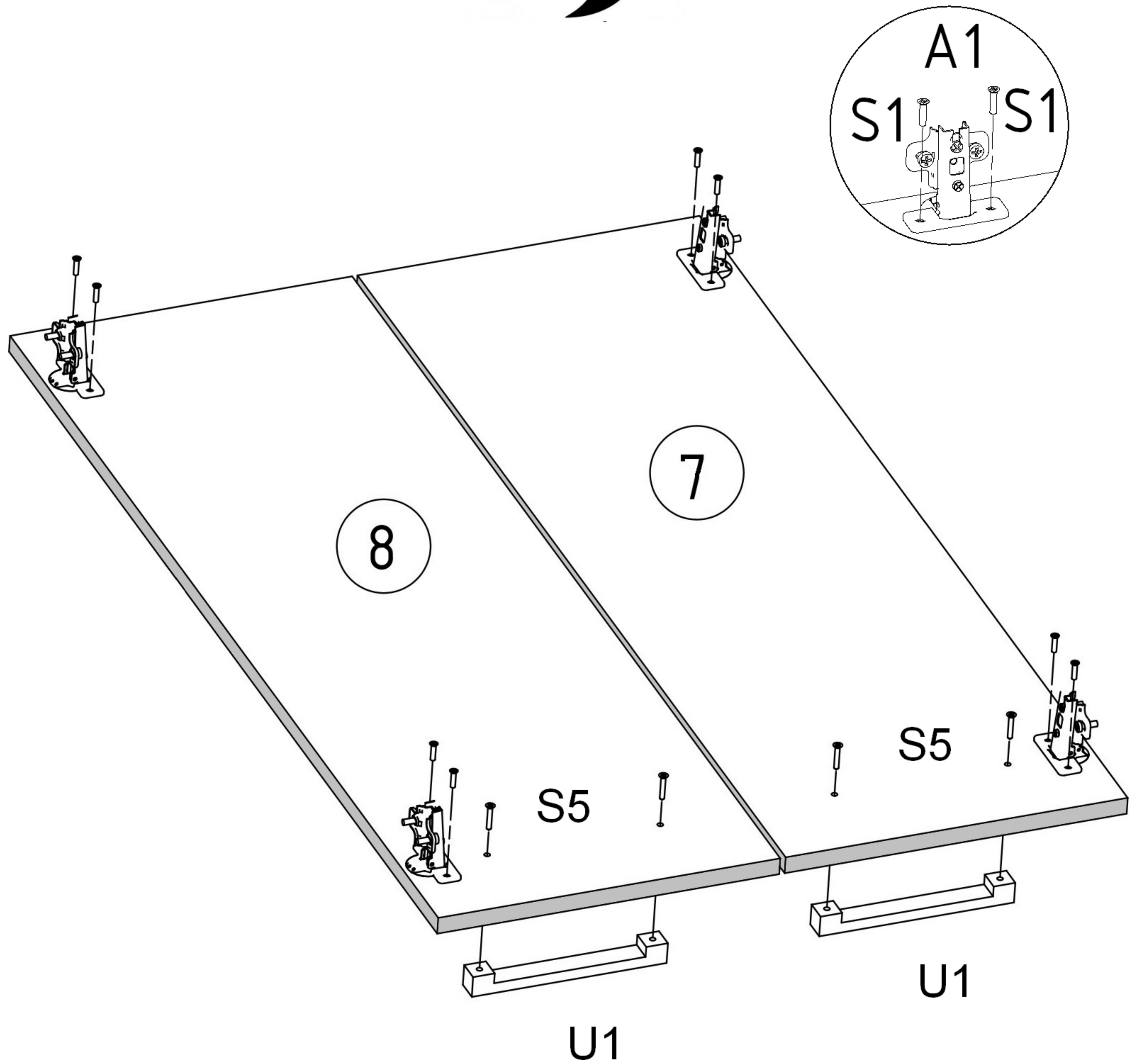
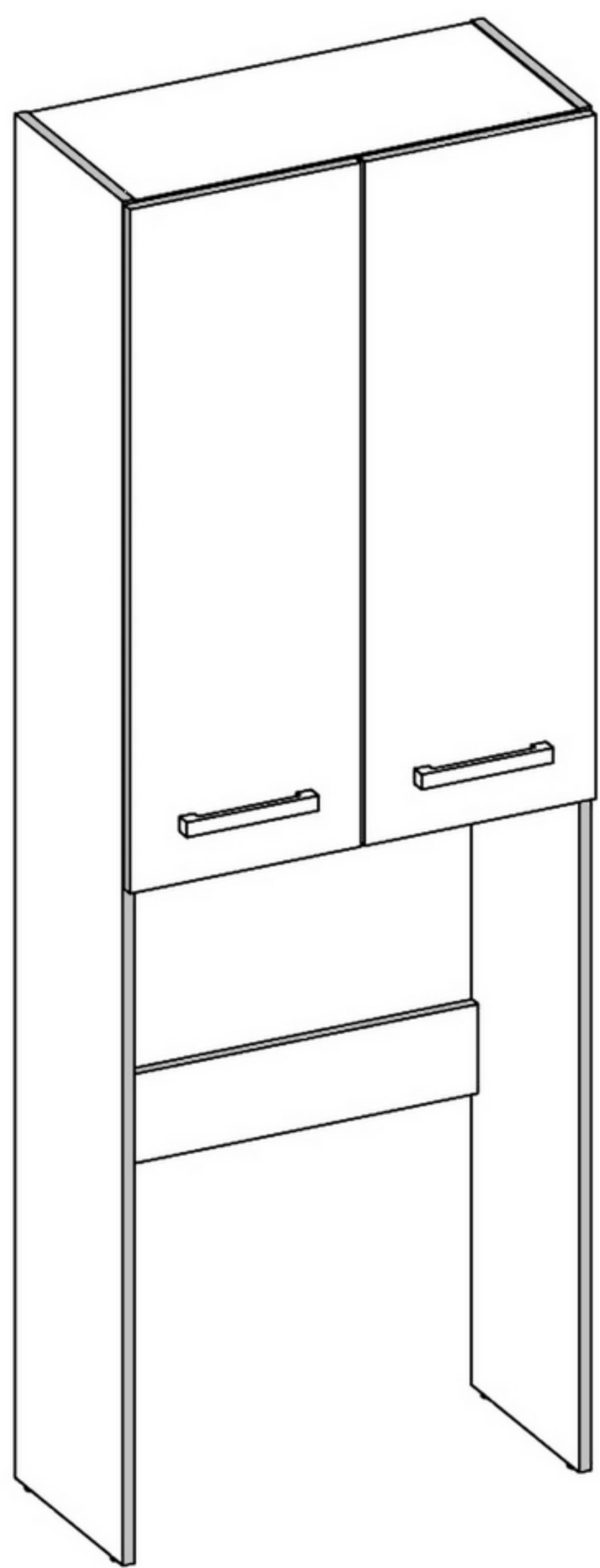
<p><b>A1</b></p>  <p>ZP <b>x4</b></p>	<p><b>U1</b></p>  <p>L=180mm <b>x2</b></p>	<p><b>S5</b></p>  <p>4x25mm <b>x4</b></p>	<p><b>S1</b></p>  <p>3,5x16mm <b>x8</b></p>
---	---	--	---

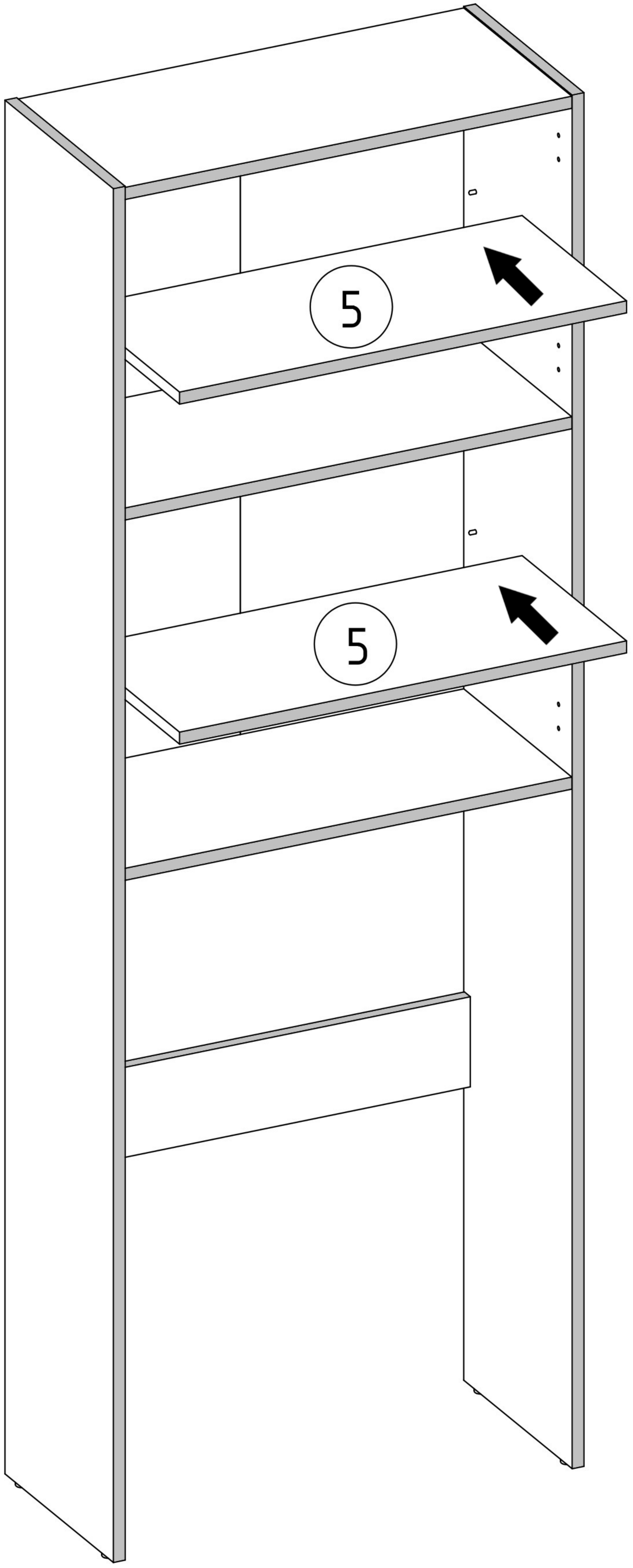


POLA DK

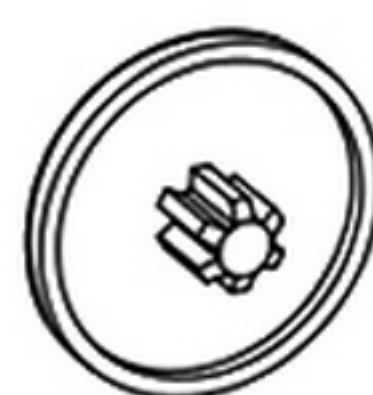


POLA DD





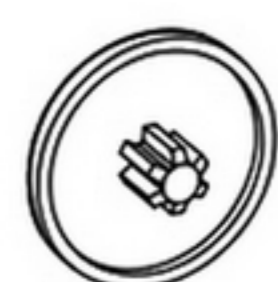
M2



ø15mm

x14

K5



ø6mm

x4

K2



x1

