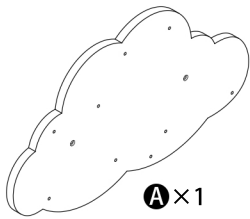


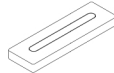
ASSEMBLY INSTRUCTION



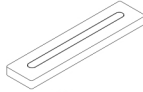
A × 1



B × 1



D × 2



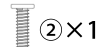
C × 1



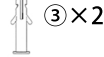
E × 1



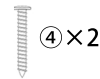
1 × 8



2 × 1



3 × 2



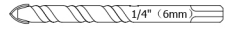
4 × 2



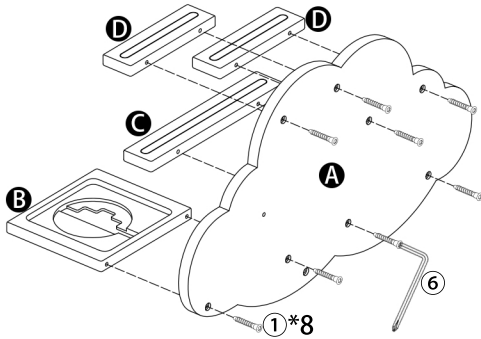
5 × 1



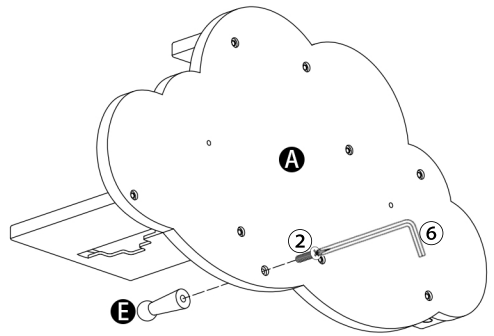
6 × 1



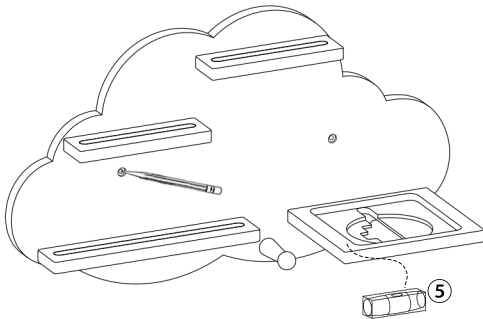
self-provided tools drill bit: 1/4" (6mm)



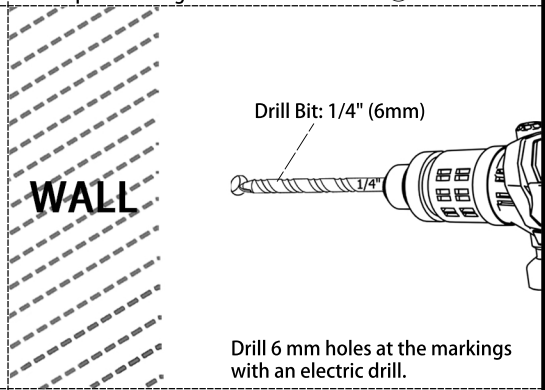
Screw parts A B C D together with screwdriver **6**.



Screw parts A E together with screwdriver **6**.

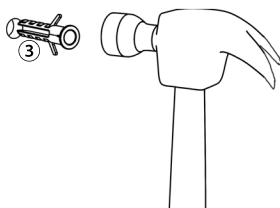


Mark the place where you want to install the shelf and check with a level.

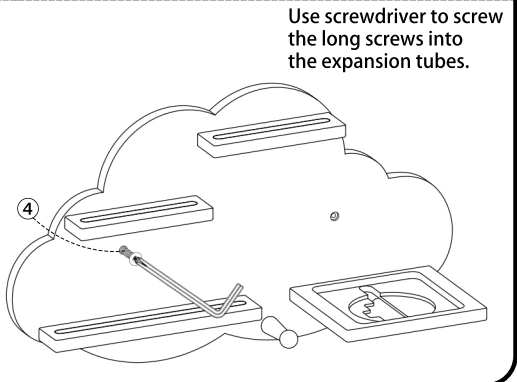


Drill 6 mm holes at the markings with an electric drill.

WALL



Use a hammer to hammer the expansion tube into the drilling hole.



Use screwdriver to screw the long screws into the expansion tubes.