


# Two Mounting Types

- Countertop Mount
- Wall Mount



## Precautions Before Installation

 **Read the following instructions carefully before you begin this installation:**

- Check the sink to ensure that no damages have occurred during shipping.
- Before installation, it is necessary to measure the dimensions of both the sink and the bathroom vanity to ensure compatibility and determine if the size is suitable for the available space.
- Be sure to use proper tools and always wear proper personal safety accessories for your protection.
- Confirm that your model will fit in intended location and plumbing fixtures are located where legally required before beginning installation. (Comply with all plumbing and building codes as per the state and local regulations.)
- Shut off the hot and cold water supplies. Inspect the drain and supply tubing. Replace if necessary.
- Not all drawings on this manual are drawn to scale.
- Please refer to the model chart. Two people are recommended to install and move this product.

 **General Recommendations** Read installation and specification instructions before installing the sink.

Be sure to use proper tools and always wear proper personal safety accessories for your protection.

## Tools and Materials



Safety Glasses



Tape Measure



Drill



Pencil



Silicone Sealant

### Plus :

(1)Level (2)Screwdriver (3)Towel (4)Gloves (5)Adjustable Wrenches

**Included Components :** (1) Sink (2)A set of wall mount hardware pack (3)Drain (not included) (4)Faucet (not included)

## Installation Steps



### Countertop Mount of Two Mounting Type

**STEP I.** Select the suitable vanity according to the size of the sink model purchased, please ensure that the vanity is installed in the appropriate position before installing the sink.

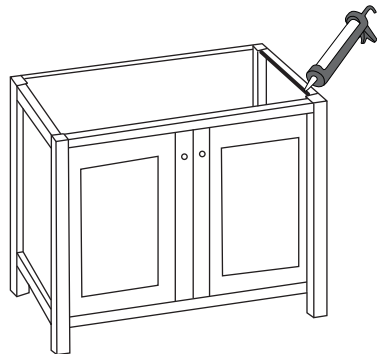
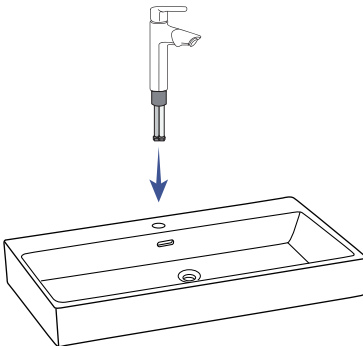
**STEP II.** Install the faucet according to the manufacturer's installation instructions.

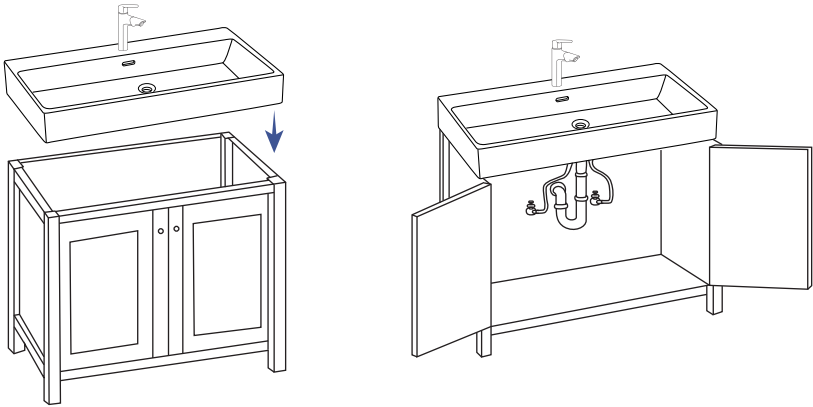
**STEP III.** Use a wrench to hand tighten the pop-up drain. Be careful not to over-tighten the pop-up drain, as this may cause cracks on the sink.

**STEP IV.** Place the sink on the vanity base, ensuring that the location of the p-trap and drain is correct.

**STEP V.** Remove the sink from the vanity base. Apply a thin bead of silicone sealant around the vanity base and carefully place the sink back in position. Use a wet rag to remove any excess silicone sealant.

**STEP VI.** Follow the manufacturer's installation instructions to install the water lines and P-trap.

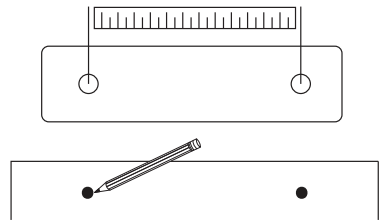




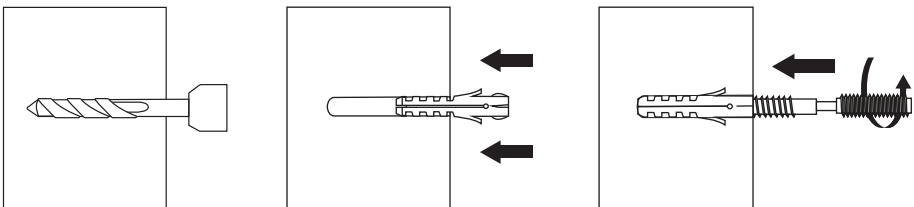
## Wall Mount of Two Mounting Type

**NOTE** These fixings are suitable for solid walls only. Plasterboard or stud walls may require specialist fixings.

**Step I.** Measure the distance between the center of each mounting hole on the back of the sink. Draw 2 marks on the wall in the desired mounting location. Ensure that the two marks are level with the floor.



**Step II.** Drill two holes accordingly using masonry drill bit. Push the anchor into each hole and screw in the hanger bolts.

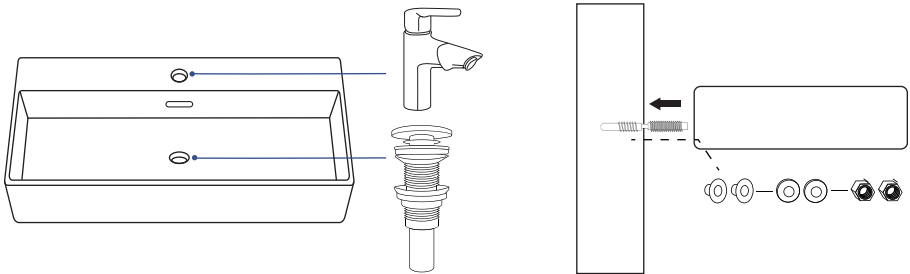


# Installation Guide

**Step III.** Attach the drain assembly and faucet to the sink according to the manufacturer's instructions.

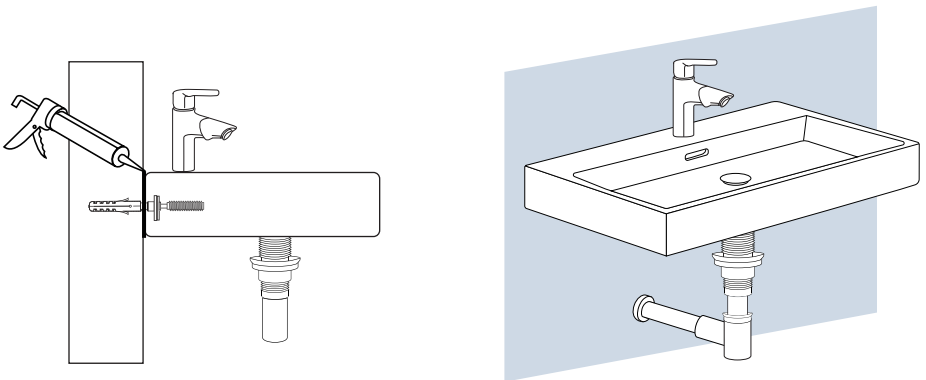
**Step IV.** Carefully place the sink in position against the wall. Locate the hanger bolts through the holes in the rear of the basin. Secure the sink with insulation sleeves, washers and nuts respectively.

**NOTE** DO NOT over-tighten, as this may cause damage to the ceramic sink.



**Step V.** Apply silicone caulk around the edges of the sink where it meets the wall to prevent water from seeping behind the sink. Wait for 24 hours for it to dry.

**Step VI.** Attach the P-trap assembly to the drain on the sink and connect it to the plumbing below. Install the water supply. Use a wrench to tighten the nuts and ensure there are no leaks.



**Congratulations!** You have successfully installed a wall mount bathroom sink.

A vitreous china bathroom sink is a popular and durable choice for many homeowners. Vitreous china bathroom sinks are meticulously handcraft-ed with fine materials and have undergone strict quality inspections. With proper maintenance and care, sinks will keep in new condition and function well for an extended period of time.

## Do's



- ✓ **Cleaning the sink regularly:** Use a mild detergent or cleaning solution and a soft cloth or sponge to wipe down the sink. Avoid using abrasive cleaners or scrubbers as they can scratch the surface of the sink.
- ✓ **Remove stains promptly:** If you notice any stains on the sink, it's important to remove them promptly. Use a cleaning solution specifically designed to remove the type of stain you're dealing with. For example, use a rust remover for rust stains and a hard water stain remover for hard water stains.
- ✓ **Keep the sink dry:** After using the sink, make sure to wipe it dry with a clean towel or cloth. Standing water can cause water spots and mineral buildup, which can be difficult to remove.
- ✓ **Use a drain strainer:** Use a drain strainer to prevent hair, soap, and other debris from clogging the drain. A clogged drain can lead to water damage and other problems.

## Don'ts



- ✗ **Avoid using harsh chemicals:** Harsh chemicals such as bleach, ammonia, or acid-based cleaners can damage the surface of the sink. Avoid using these chemicals and opt for a mild cleaning solution instead.
- ✗ **Avoid placing heavy objects on the sink:** Vitreous china is a durable material, but it can still crack or chip if heavy objects are placed on it. Avoid placing heavy objects on the sink and use a separate surface for storing items such as hair dryers or curling irons.
- ✗ **Avoid hitting it with hard objects or dropping heavy items on it.**
- ✗ **Avoid direct contact with sharp and metallic objects.**



Soft  
Cloth



Mild  
Detergent



Plastic  
Scraper

By following these tips, you can keep your vitreous china bathroom sink in great condition for many years to come. Regular maintenance and care will help to prevent damage and keep the sink looking its best.