

KOHLER® 62" FREESTANDING BUBBLEMASSAGE™ BATH WITH BASK™ HEATED SURFACE

ARCHER®

K-2593-GW

Features

- Slotted overflow for maximum bathing depth
- Integral lumbar support
- Molded armrests for extra comfort
- Airjets release thousands of bubbles that surround, support and massage the body
- Variable-speed blower lets you adjust the airjet massage to 18 levels
- Immediate and manual purge cycles remove residual water from air channels after use
- Bask™ Heated Surface provides soothing warmth on your back and neck
- Three heat settings allow you to customize the surface temperature
- Lighted keypad controls
- Textured Bottom Surface
- Two-piece design
- 61-3/4" (1568 mm) x 31-3/4" (806mm) x 22" (559 mm)
- End Drain Placement
- Requires 120V electrical service

Material

- Exocrylic™

Hydrotherapy

- BubbleMassage

Installation

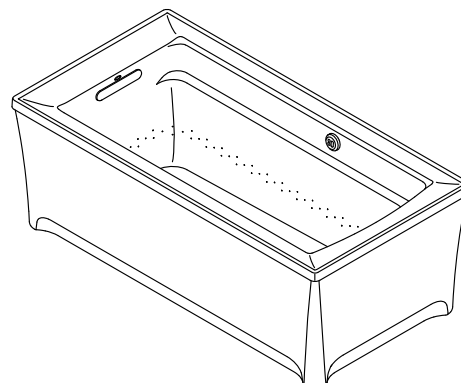
- Freestanding Bath
- Requires K-7271 or K-7272 Clearflo slotted overflow bath drain (sold separately).

Required Accessories

K-7271 Slotted Overflow Bath Drain

or

K-7272 Slotted Overflow Bath Drain








Codes/Standards

ASME A112.19.7/CSA B45.10
 CSA B45.5/IAPMO Z124
 UL 1795
 CARB P2

See website for detailed warranty information.

Available Color/Finishes

Color tiles intended for reference only.

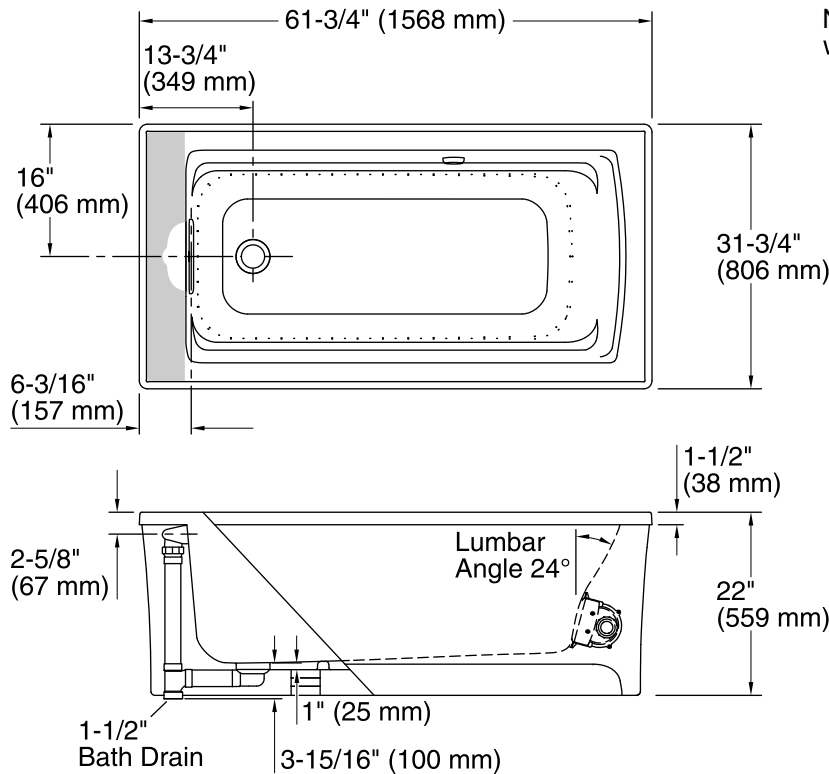
Color	Code	Description
	0	White
	96	Biscuit
	47	Almond
	NY	Dune
	G9	Sandbar

KOHLER® 62" FREESTANDING BUBBLEMASSAGE™ BATH WITH BASK™ HEATED SURFACE

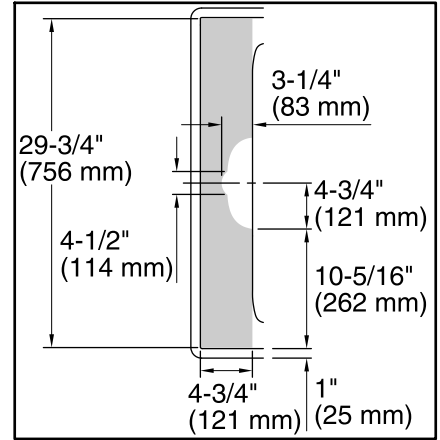
ARCHER®

K-2593-GW

Recommended faucet area.



No change in measurements if connected with drain illustrated. (K-7272)



Recommended Faucet Area Detail

Required Electrical Service

One dedicated circuit required, protected with Class A Ground-Fault Circuit-Interrupter (GFCI) or Residual Current Device (RCD).

Blower, Heated Surface: 120 V, 15 A, 60 Hz, 300 W

Technical Information

All product dimensions are nominal.

Installation:	Freestanding
Drain location:	Reversible
Basin area, bottom:	45-1/8" x 19-11/16" (1147 mm x 500 mm)
Basin area, top:	52-3/4" x 25-5/16" (1339 mm x 643 mm)
Weight:	100 lbs (45.4 kg)
Minimum floor load:	44.2 lbs/ft ² (215.8 kg/m ²)
Water depth:	15-1/16" (383 mm)
Water capacity:	58 gal (219.6 L)
Electrical rating:	Blower: 120 V, 10 A, 60 Hz, 300 W Heated Surface: 120 V, 0.5 A, 60 Hz, 65 W
Pump speed:	Variable
Pump speed:	3-speed

Notes

Measure your actual product for roughing-in details.

Install this product in accordance with the installation instructions.

Locate a GFCI-protected 120 V, 15 A, grounded duplex electrical outlet within 24" (610 mm) of the bath junction box. A 40" (1016 mm) cable is included.

Locate the outlet behind the bath and within 24" (610 mm) of the blower motor.

Remote blower installation kit K-1446 is available for relocating the blower.

NOTICE: Do not support the load weight of the bath by the rim.

NOTICE: Confirm adequate support for rim-mount faucet. Using faucets as a means of support are not appropriate or safe for this installation.

The hot water supply should be 70% of the capacity of the bath or greater. Installations will vary.