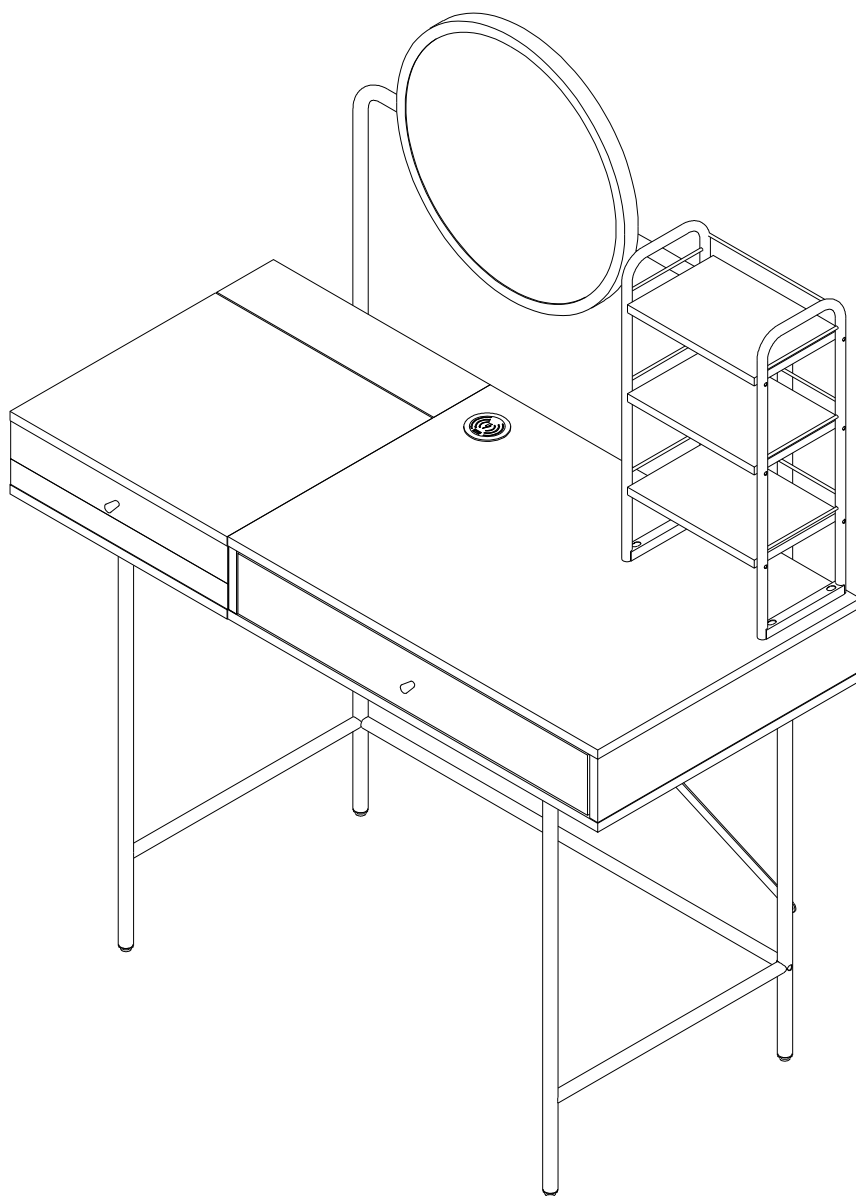
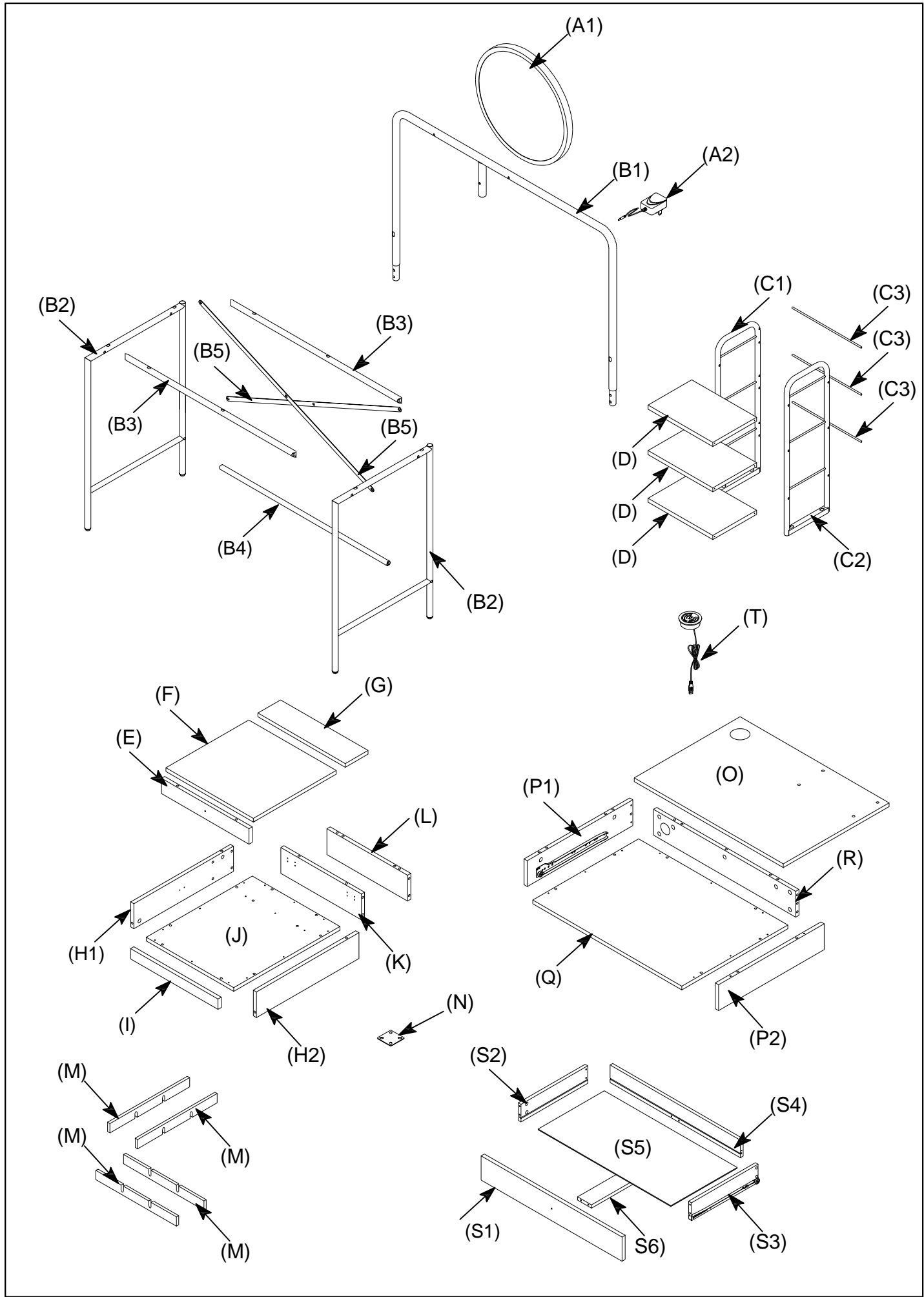


# ASSEMBLY INSTRUCTIONS



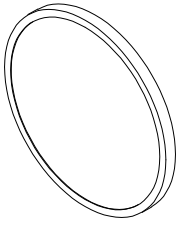
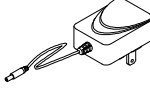
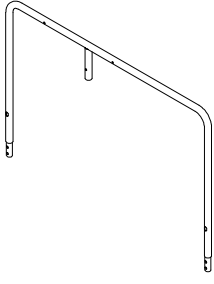
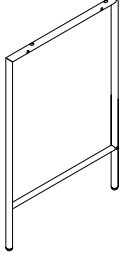
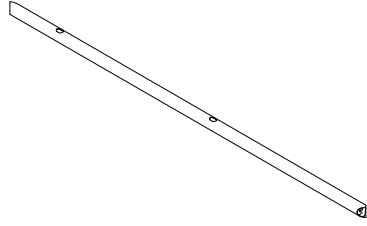
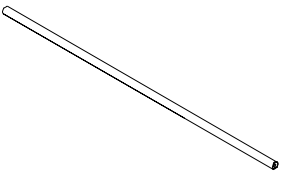
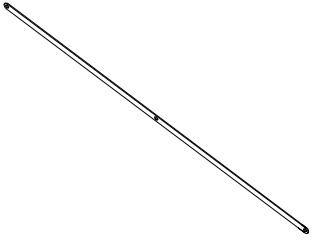
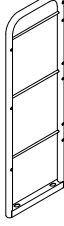
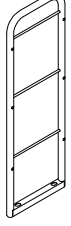
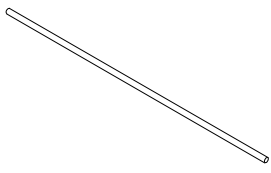
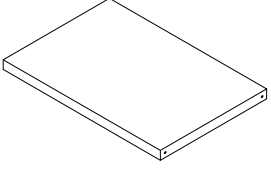
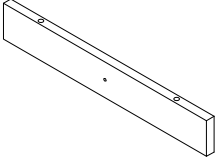
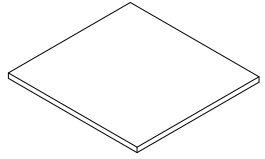
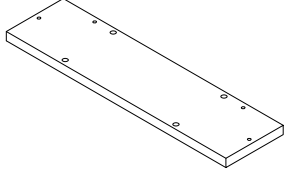
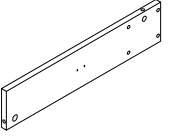
NOTE: 50% TIGHTEN BEFORE FIXING ALL BOLTS



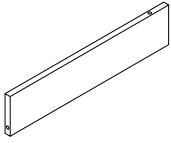
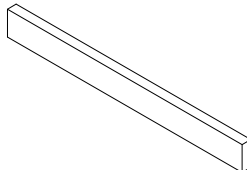
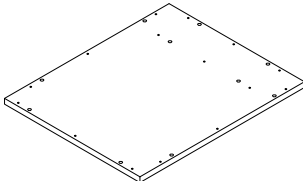
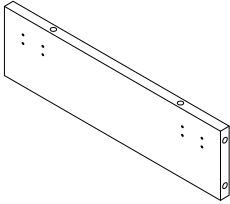
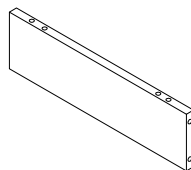
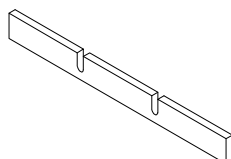
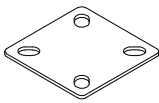
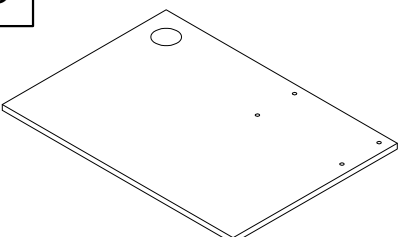
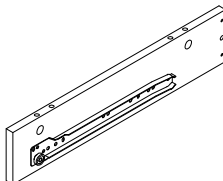
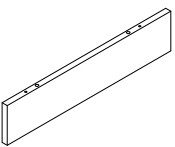
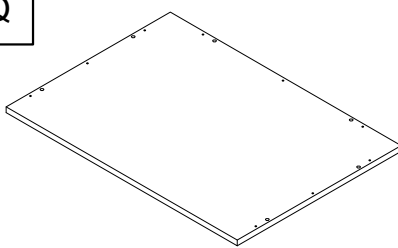
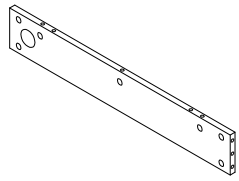
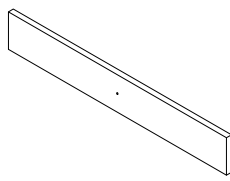
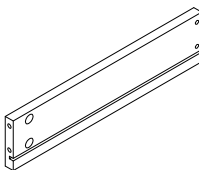
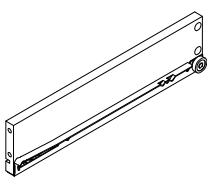
## Notice:

1. 50% Tighten before fixing all screws, Allen wrench is recommended instead of an electric drill.
2. Place the item on a flat ground to adjust and make sure it remains stable.
3. Tighten up all screws with tools gradually.
4. If the screws are not aligned with holes during assembly, please loosen all the other screws to 50% and continue the assembly process.
5. If the item is not stable, please loosen all the screws, adjust it on a flat ground and tighten up all screws again.
6. Note : If one or some screws are fully tightened during assembly, chances are the others will not be aligned with holes. In addition, all the holes are designed to be relatively larger to provide more space for the adjustment of the screws.

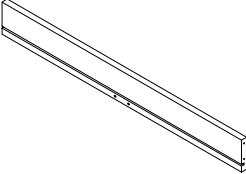
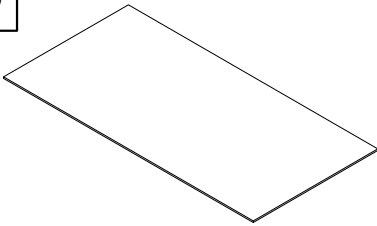
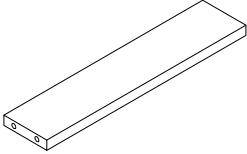

# PARTS LIST

<div style="border: 1px solid black; padding: 2px; width: fit-content; margin-bottom: 5px;">A1</div> <div style="text-align: center; margin: 10px 0;">  </div> <p style="text-align: center;">Mirror (1PC)</p>	<div style="border: 1px solid black; padding: 2px; width: fit-content; margin-bottom: 5px;">A2</div> <div style="text-align: center; margin: 10px 0;">  </div> <p style="text-align: center;">Power Cord (1PC)</p>	<div style="border: 1px solid black; padding: 2px; width: fit-content; margin-bottom: 5px;">B1</div> <div style="text-align: center; margin: 10px 0;">  </div> <p style="text-align: center;">Upper Frame (1PC)</p>
<div style="border: 1px solid black; padding: 2px; width: fit-content; margin-bottom: 5px;">B2</div> <div style="text-align: center; margin: 10px 0;">  </div> <p style="text-align: center;">Leg Frame (2PCS)</p>	<div style="border: 1px solid black; padding: 2px; width: fit-content; margin-bottom: 5px;">B3</div> <div style="text-align: center; margin: 10px 0;">  </div> <p style="text-align: center;">Upper Sketcher (2PCS)</p>	<div style="border: 1px solid black; padding: 2px; width: fit-content; margin-bottom: 5px;">B4</div> <div style="text-align: center; margin: 10px 0;">  </div> <p style="text-align: center;">Bottom Sketcher (1PC)</p>
<div style="border: 1px solid black; padding: 2px; width: fit-content; margin-bottom: 5px;">B5</div> <div style="text-align: center; margin: 10px 0;">  </div> <p style="text-align: center;">Rear Sketcher (2PCS)</p>	<div style="border: 1px solid black; padding: 2px; width: fit-content; margin-bottom: 5px;">C1</div> <div style="text-align: center; margin: 10px 0;">  </div> <p style="text-align: center;">Shelf - Left Frame (1PC)</p>	<div style="border: 1px solid black; padding: 2px; width: fit-content; margin-bottom: 5px;">C2</div> <div style="text-align: center; margin: 10px 0;">  </div> <p style="text-align: center;">Shelf - Right Frame (1PC)</p>
<div style="border: 1px solid black; padding: 2px; width: fit-content; margin-bottom: 5px;">C3</div> <div style="text-align: center; margin: 10px 0;">  </div> <p style="text-align: center;">Shelf - Sketcher (3PCS)</p>	<div style="border: 1px solid black; padding: 2px; width: fit-content; margin-bottom: 5px;">D</div> <div style="text-align: center; margin: 10px 0;">  </div> <p style="text-align: center;">Shelves (3PCS)</p>	<div style="border: 1px solid black; padding: 2px; width: fit-content; margin-bottom: 5px;">E</div> <div style="text-align: center; margin: 10px 0;">  </div> <p style="text-align: center;">Left Table - Front Top Panel (1PC)</p>
<div style="border: 1px solid black; padding: 2px; width: fit-content; margin-bottom: 5px;">F</div> <div style="text-align: center; margin: 10px 0;">  </div> <p style="text-align: center;">Left Table - Mid Top Panel (1PC)</p>	<div style="border: 1px solid black; padding: 2px; width: fit-content; margin-bottom: 5px;">G</div> <div style="text-align: center; margin: 10px 0;">  </div> <p style="text-align: center;">Left Table - Rear Top Panel (1PC)</p>	<div style="border: 1px solid black; padding: 2px; width: fit-content; margin-bottom: 5px;">H1</div> <div style="text-align: center; margin: 10px 0;">  </div> <p style="text-align: center;">Left Table - Left Panel (1PC)</p>




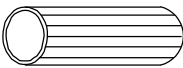
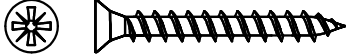
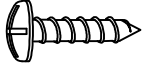
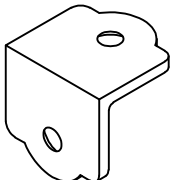

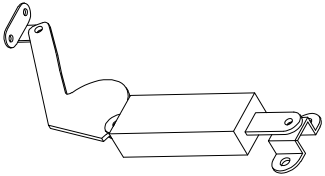
# PARTS LIST

<div style="border: 1px solid black; width: 40px; height: 20px; margin-bottom: 5px; display: flex; align-items: center; justify-content: center; font-weight: bold;">H2</div> <div style="text-align: center; margin: 10px 0;">  </div> <p style="text-align: center; font-weight: bold;">Left Table - Right Panel (1PC)</p>	<div style="border: 1px solid black; width: 40px; height: 20px; margin-bottom: 5px; display: flex; align-items: center; justify-content: center; font-weight: bold;">I</div> <div style="text-align: center; margin: 10px 0;">  </div> <p style="text-align: center; font-weight: bold;">Left Table - Front Panel (1PC)</p>	<div style="border: 1px solid black; width: 40px; height: 20px; margin-bottom: 5px; display: flex; align-items: center; justify-content: center; font-weight: bold;">J</div> <div style="text-align: center; margin: 10px 0;">  </div> <p style="text-align: center; font-weight: bold;">Left Table - Bottom Panel (1PC)</p>
<div style="border: 1px solid black; width: 40px; height: 20px; margin-bottom: 5px; display: flex; align-items: center; justify-content: center; font-weight: bold;">K</div> <div style="text-align: center; margin: 10px 0;">  </div> <p style="text-align: center; font-weight: bold;">Left Table - Mid Panel (1PC)</p>	<div style="border: 1px solid black; width: 40px; height: 20px; margin-bottom: 5px; display: flex; align-items: center; justify-content: center; font-weight: bold;">L</div> <div style="text-align: center; margin: 10px 0;">  </div> <p style="text-align: center; font-weight: bold;">Left Table - Back Panel (1PC)</p>	<div style="border: 1px solid black; width: 40px; height: 20px; margin-bottom: 5px; display: flex; align-items: center; justify-content: center; font-weight: bold;">M</div> <div style="text-align: center; margin: 10px 0;">  </div> <p style="text-align: center; font-weight: bold;">Left Table - Partition Panel (4PCS)</p>
<div style="border: 1px solid black; width: 40px; height: 20px; margin-bottom: 5px; display: flex; align-items: center; justify-content: center; font-weight: bold;">N</div> <div style="text-align: center; margin: 10px 0;">  </div> <p style="text-align: center; font-weight: bold;">Metal Plate (1PC)</p>	<div style="border: 1px solid black; width: 40px; height: 20px; margin-bottom: 5px; display: flex; align-items: center; justify-content: center; font-weight: bold;">O</div> <div style="text-align: center; margin: 10px 0;">  </div> <p style="text-align: center; font-weight: bold;">Right Table - Top Panel (1PC)</p>	<div style="border: 1px solid black; width: 40px; height: 20px; margin-bottom: 5px; display: flex; align-items: center; justify-content: center; font-weight: bold;">P1</div> <div style="text-align: center; margin: 10px 0;">  </div> <p style="text-align: center; font-weight: bold;">Right Table - Left Panel (1PC)</p>
<div style="border: 1px solid black; width: 40px; height: 20px; margin-bottom: 5px; display: flex; align-items: center; justify-content: center; font-weight: bold;">P2</div> <div style="text-align: center; margin: 10px 0;">  </div> <p style="text-align: center; font-weight: bold;">Right Table - Right Panel (1PC)</p>	<div style="border: 1px solid black; width: 40px; height: 20px; margin-bottom: 5px; display: flex; align-items: center; justify-content: center; font-weight: bold;">Q</div> <div style="text-align: center; margin: 10px 0;">  </div> <p style="text-align: center; font-weight: bold;">Right Table - Bottom Panel (1PC)</p>	<div style="border: 1px solid black; width: 40px; height: 20px; margin-bottom: 5px; display: flex; align-items: center; justify-content: center; font-weight: bold;">R</div> <div style="text-align: center; margin: 10px 0;">  </div> <p style="text-align: center; font-weight: bold;">Right Table - Back Panel (1PC)</p>
<div style="border: 1px solid black; width: 40px; height: 20px; margin-bottom: 5px; display: flex; align-items: center; justify-content: center; font-weight: bold;">S1</div> <div style="text-align: center; margin: 10px 0;">  </div> <p style="text-align: center; font-weight: bold;">Drawer - Front Panel (1PC)</p>	<div style="border: 1px solid black; width: 40px; height: 20px; margin-bottom: 5px; display: flex; align-items: center; justify-content: center; font-weight: bold;">S2</div> <div style="text-align: center; margin: 10px 0;">  </div> <p style="text-align: center; font-weight: bold;">Drawer - Left Panel (1PC)</p>	<div style="border: 1px solid black; width: 40px; height: 20px; margin-bottom: 5px; display: flex; align-items: center; justify-content: center; font-weight: bold;">S3</div> <div style="text-align: center; margin: 10px 0;">  </div> <p style="text-align: center; font-weight: bold;">Drawer - Right Panel (1PC)</p>

# PARTS LIST

<div style="border: 1px solid black; width: 20px; height: 20px; display: flex; align-items: center; justify-content: center; margin-bottom: 5px;">S4</div>  <p style="text-align: center; margin-top: 10px;">Drawer - Back Panel (1PC)</p>	<div style="border: 1px solid black; width: 20px; height: 20px; display: flex; align-items: center; justify-content: center; margin-bottom: 5px;">S5</div>  <p style="text-align: center; margin-top: 10px;">Drawer - Bottom Panel (1PC)</p>	<div style="border: 1px solid black; width: 20px; height: 20px; display: flex; align-items: center; justify-content: center; margin-bottom: 5px;">S6</div>  <p style="text-align: center; margin-top: 10px;">Drawer - Sketcher (1PC)</p>
<div style="border: 1px solid black; width: 20px; height: 20px; display: flex; align-items: center; justify-content: center; margin-bottom: 5px;">T</div>  <p style="text-align: center; margin-top: 10px;">USB Charger (1PC)</p>		

# HARDWARE LIST

<div style="border: 1px solid black; width: 20px; height: 20px; display: flex; align-items: center; justify-content: center; margin-bottom: 5px;">1</div>  <p style="text-align: center; margin-top: 10px;">Big Cam Lock (25PCS)</p>	<div style="border: 1px solid black; width: 20px; height: 20px; display: flex; align-items: center; justify-content: center; margin-bottom: 5px;">2</div>  <p style="text-align: center; margin-top: 10px;">Small Cam Lock (6PCS)</p>	<div style="border: 1px solid black; width: 20px; height: 20px; display: flex; align-items: center; justify-content: center; margin-bottom: 5px;">3</div>  <p style="text-align: center; margin-top: 10px;">Cam Bolt (31PCS)</p>
<div style="border: 1px solid black; width: 20px; height: 20px; display: flex; align-items: center; justify-content: center; margin-bottom: 5px;">4</div>  <p style="text-align: center; margin-top: 10px;">Ø8x30mm Wood Dowel (30PCS)</p>	<div style="border: 1px solid black; width: 20px; height: 20px; display: flex; align-items: center; justify-content: center; margin-bottom: 5px;">5</div>  <p style="text-align: center; margin-top: 10px;">M4*35mm Flat Head Screw (30PCS)</p>	<div style="border: 1px solid black; width: 20px; height: 20px; display: flex; align-items: center; justify-content: center; margin-bottom: 5px;">6</div>  <p style="text-align: center; margin-top: 10px;">M3.5*12mm Wood Screw (10PCS)</p>
<div style="border: 1px solid black; width: 20px; height: 20px; display: flex; align-items: center; justify-content: center; margin-bottom: 5px;">7</div>  <p style="text-align: center; margin-top: 10px;">L - Bracket (2PCS)</p>	<div style="border: 1px solid black; width: 20px; height: 20px; display: flex; align-items: center; justify-content: center; margin-bottom: 5px;">8</div>  <p style="text-align: center; margin-top: 10px;">M3.5x14mm Flat Head Screw (12PCS)</p>	<div style="border: 1px solid black; width: 20px; height: 20px; display: flex; align-items: center; justify-content: center; margin-bottom: 5px;">9</div>  <p style="text-align: center; margin-top: 10px;">Hinge (1PC)</p>

# HARDWARE LIST

10



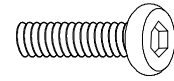
M4\*30mm Wood Screw (3PCS)

11



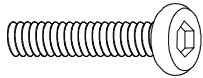
M4\*35mm Wood Screw (12PCS)

12



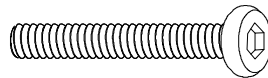
Bolt 1/4" x 12mm (13PCS)

13



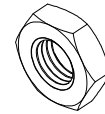
Bolt 1/4" x 25mm (4PCS)

14



Bolt 1/4" x 30mm (16PCS)

15



Nut 1/4" x 5mm (1PC)

16



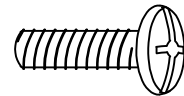
Allen Key 4mm (1PC)

17



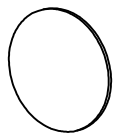
R-Wire Clip (3PCS)

18



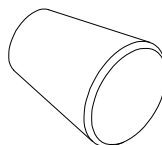
Ø5/32"x20mm Bolt with Screw Head (2PCS)

19



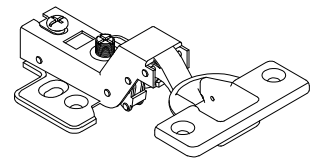
Sticker (8PCS)

20



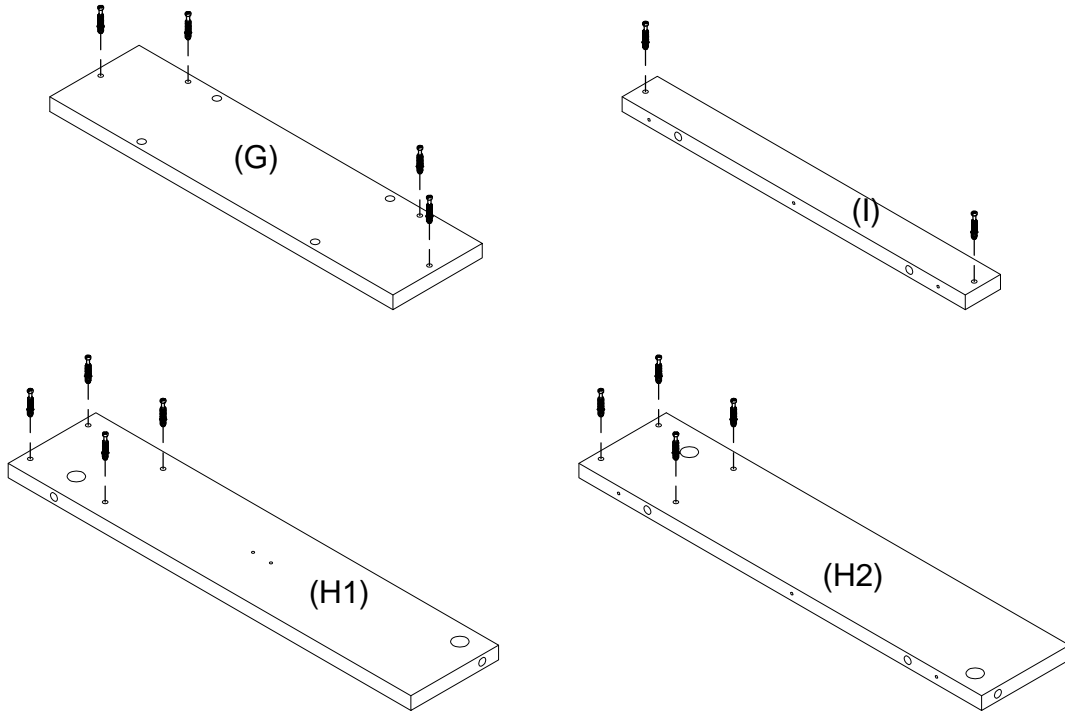
Handle (2PCS)

21



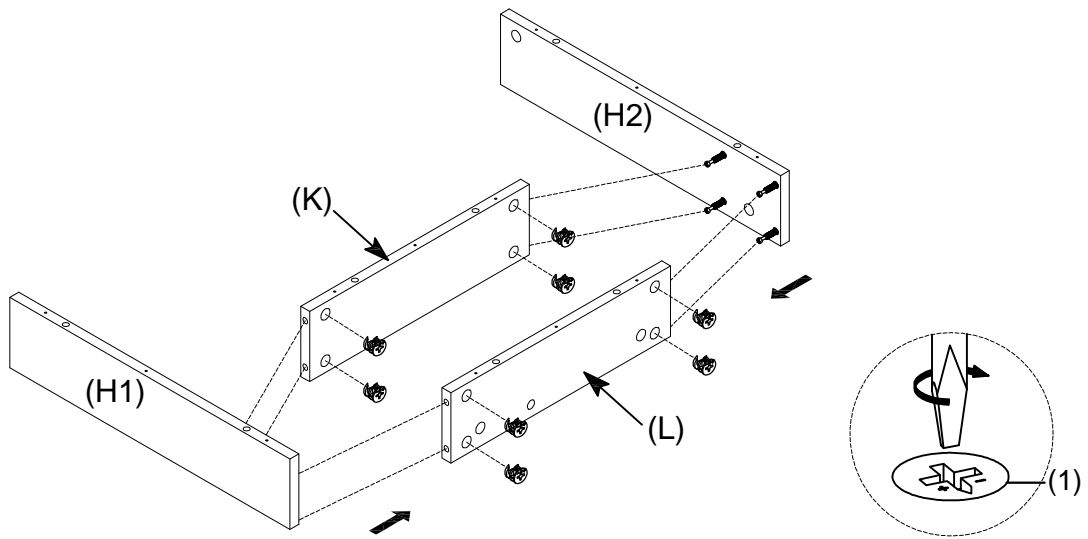
Hinge (2PCS)


# STEP 1



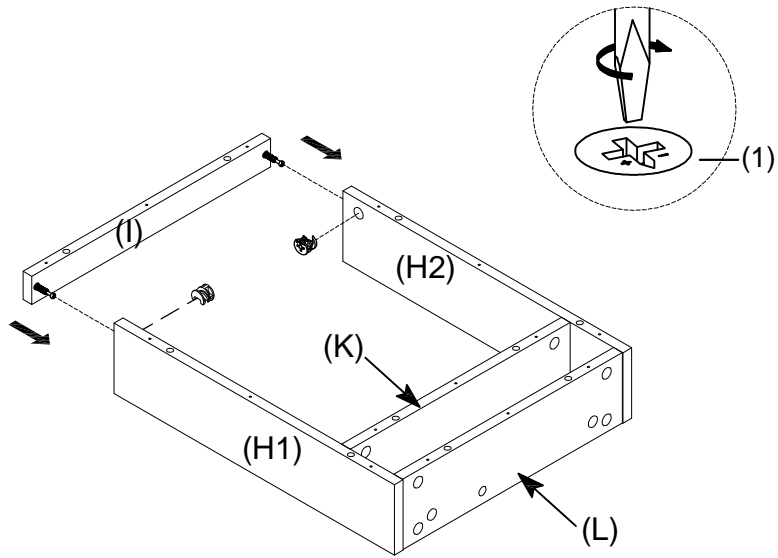
3		Cam Bolt	14 pcs
---	---	----------	--------

# STEP 2



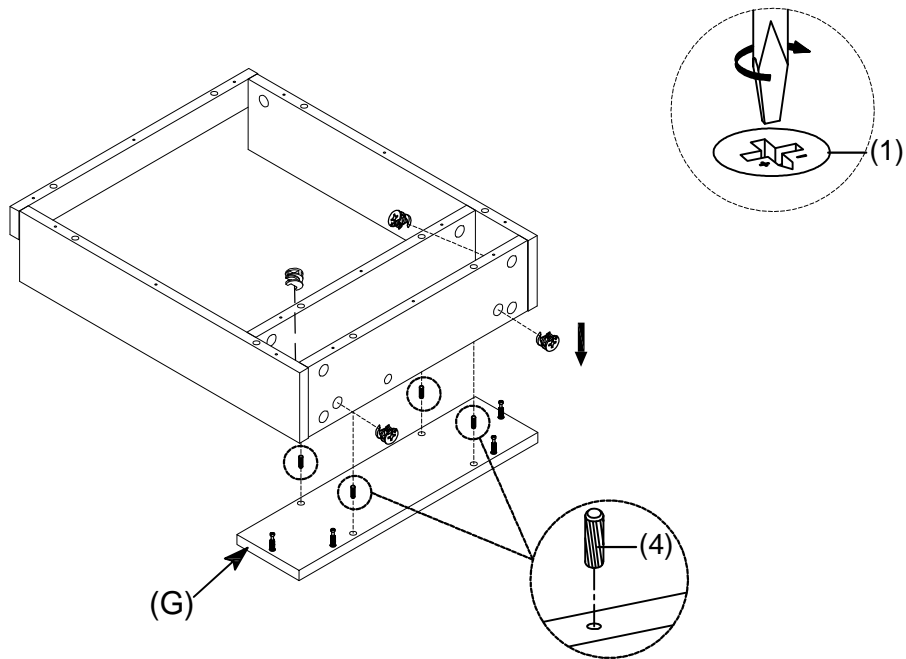
1		Big Cam Lock	8 pcs
---	---	--------------	-------

# STEP 3



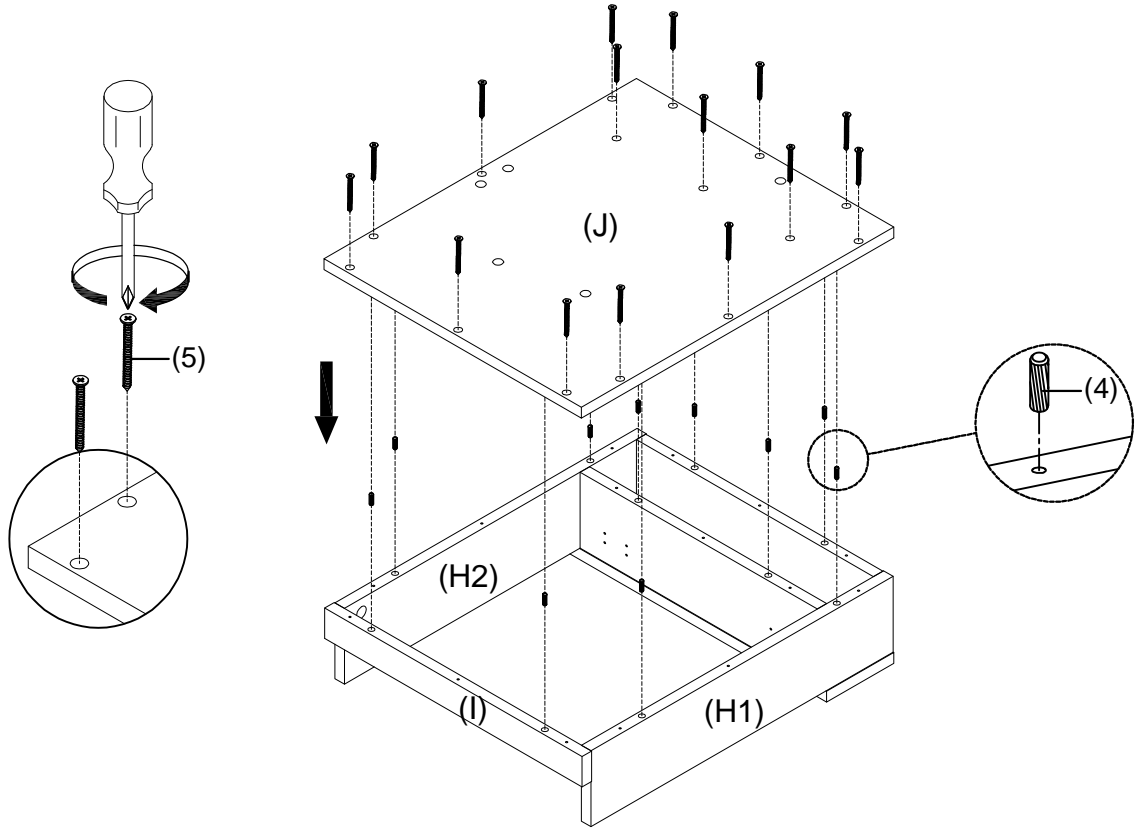
1		Big Cam Lock	2 pcs
---	---	--------------	-------

# STEP 4



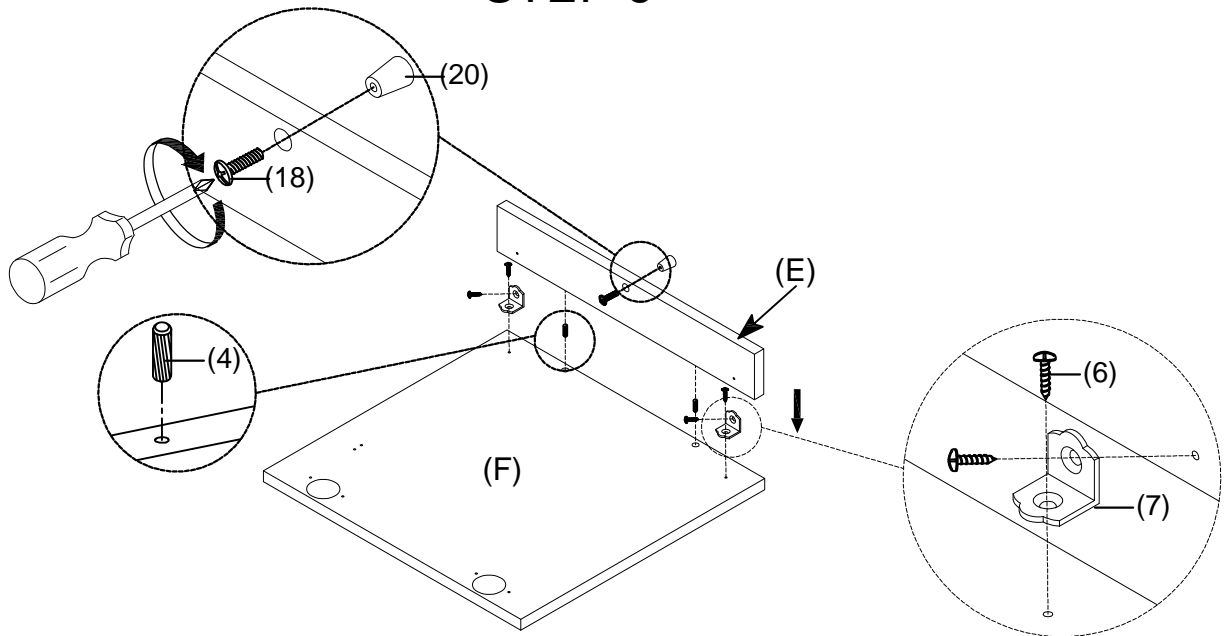
1		Big Cam Lock	4 pcs	4		Ø8x30mm Wood Dowel	4 pcs
---	---	--------------	-------	---	---	--------------------	-------



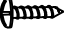
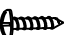

## STEP 5



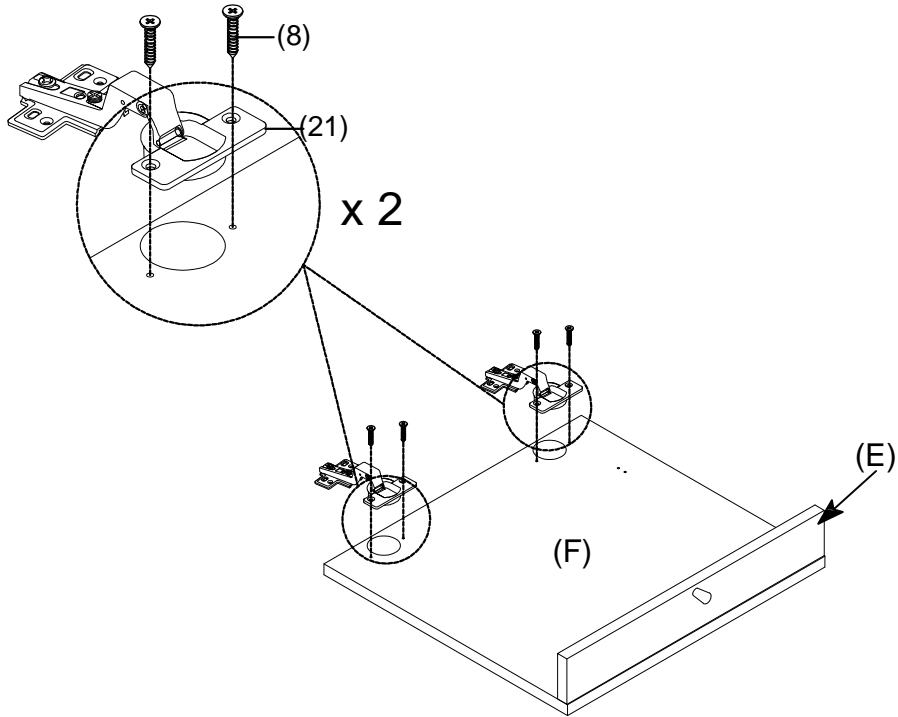
4		Ø8x30mm Wood Dowel	10 pcs	5		M4x35mm Flat Head Screw	15 pcs
---	---	--------------------	--------	---	---	-------------------------	--------

## STEP 6



4		Ø8x30mm Wood Dowel	2 pcs	18		Ø5/32"x20mm Bolt with Screw Head	1 pc
6		M3.5*12mm Wood Screw	4 pcs	20		Handle	1 pc
7		L - Bracket	2 pcs				

## STEP 7



8



M3.5x12mm Flat Head Screw 4 pcs

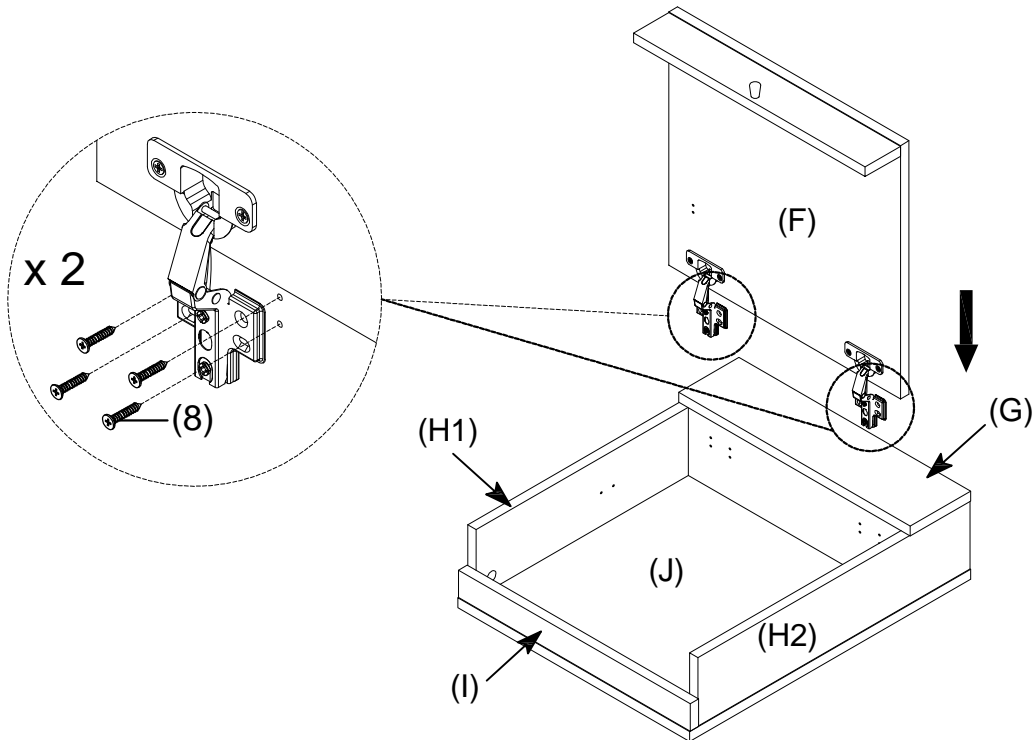
21



Inset Overlay Hinges

2 pcs

## STEP 8

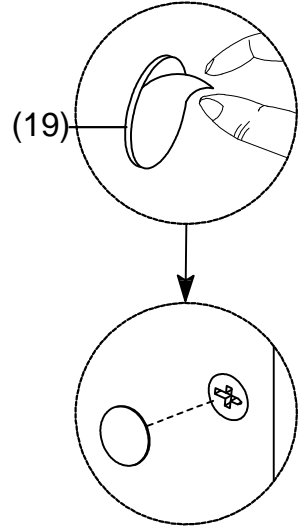
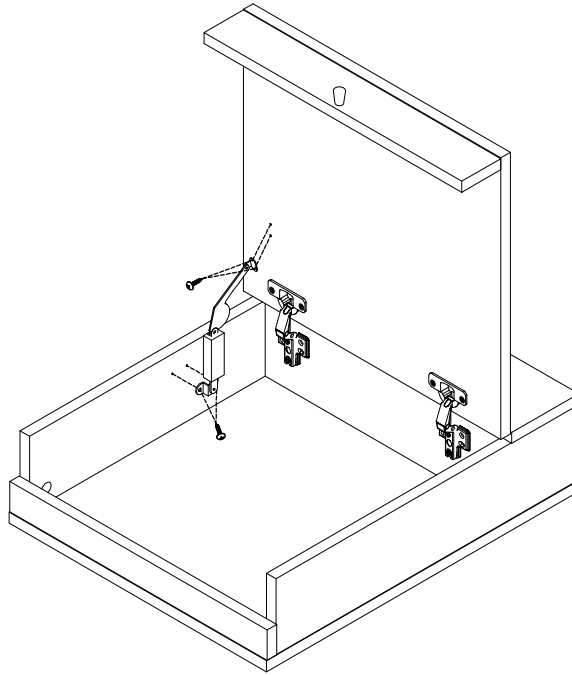
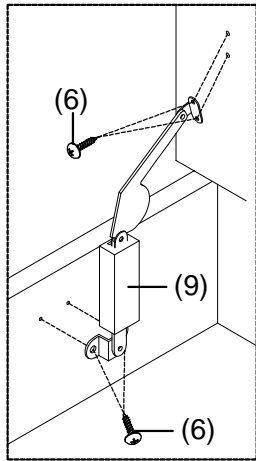


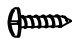


8



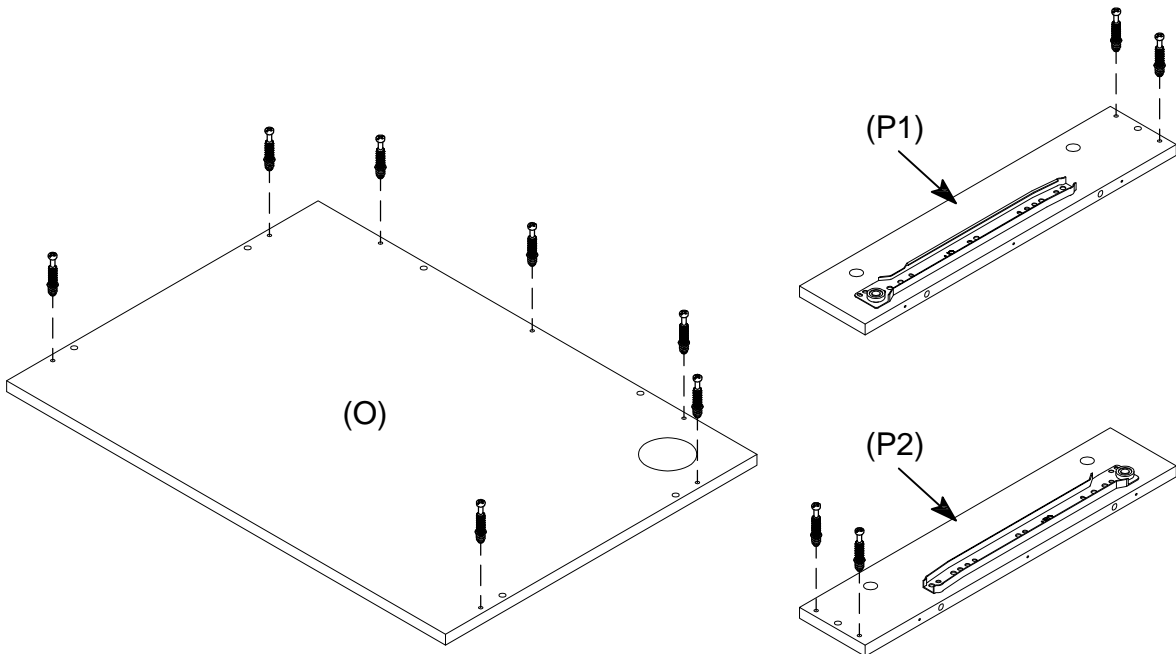
M3.5x12mm Flat Head Screw 8 pcs


## STEP 9



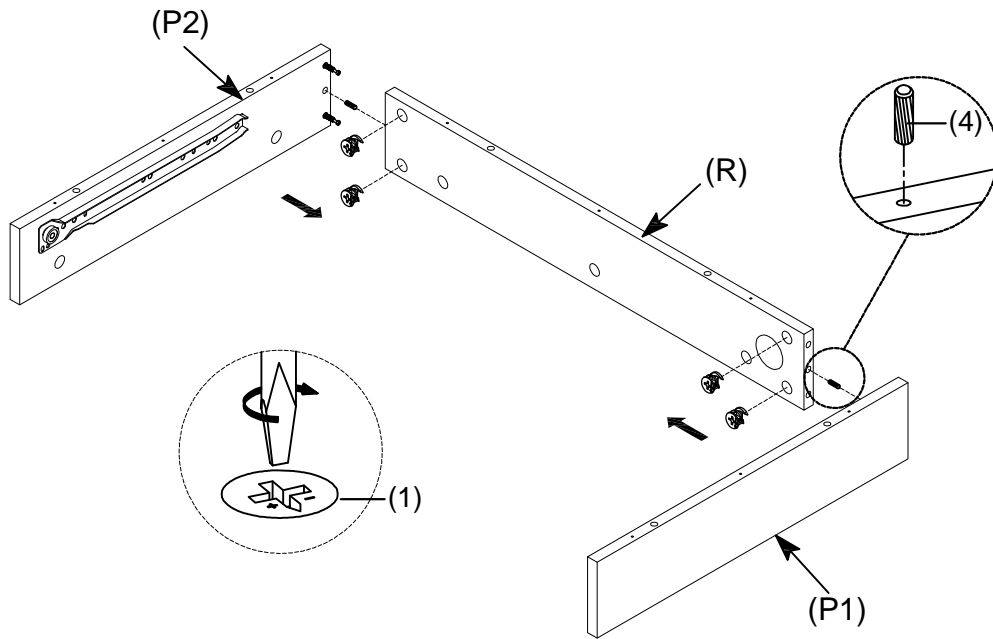
6		M3.5*12mm Wood Screw	4 pcs				
19		Sticker	8 pcs	9		Hinge	1 pc



## STEP 10



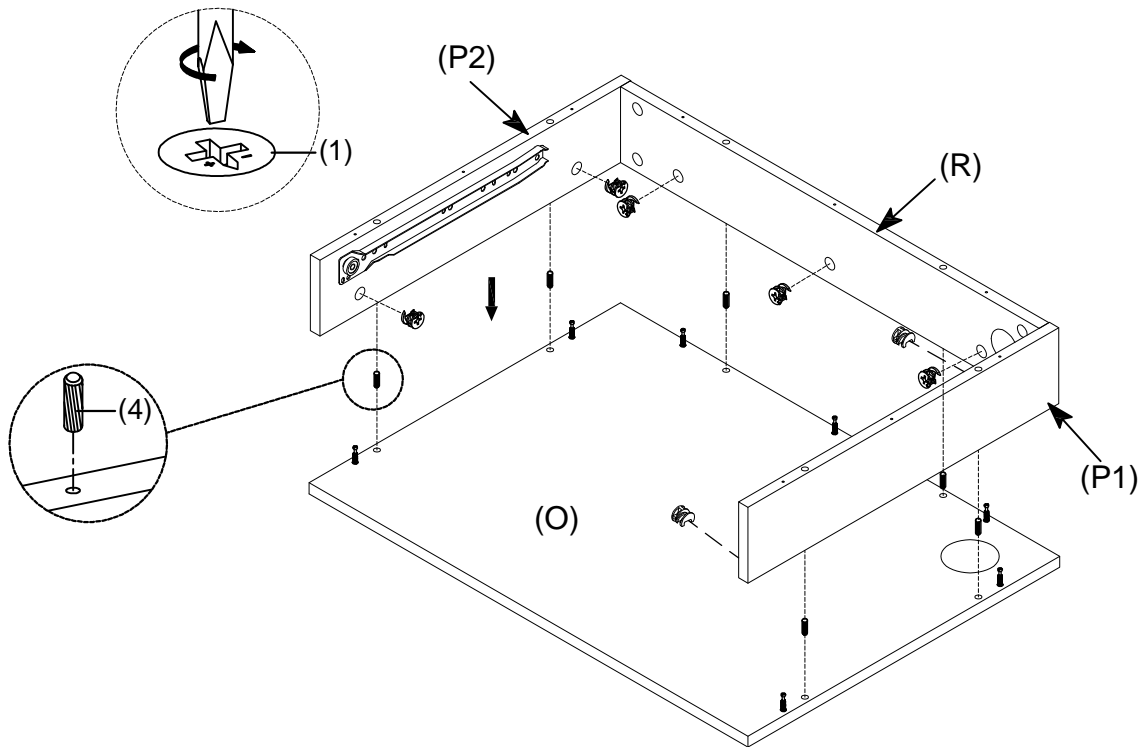
3		Cam Bolt	11 pcs
---	---	----------	--------



# STEP 11



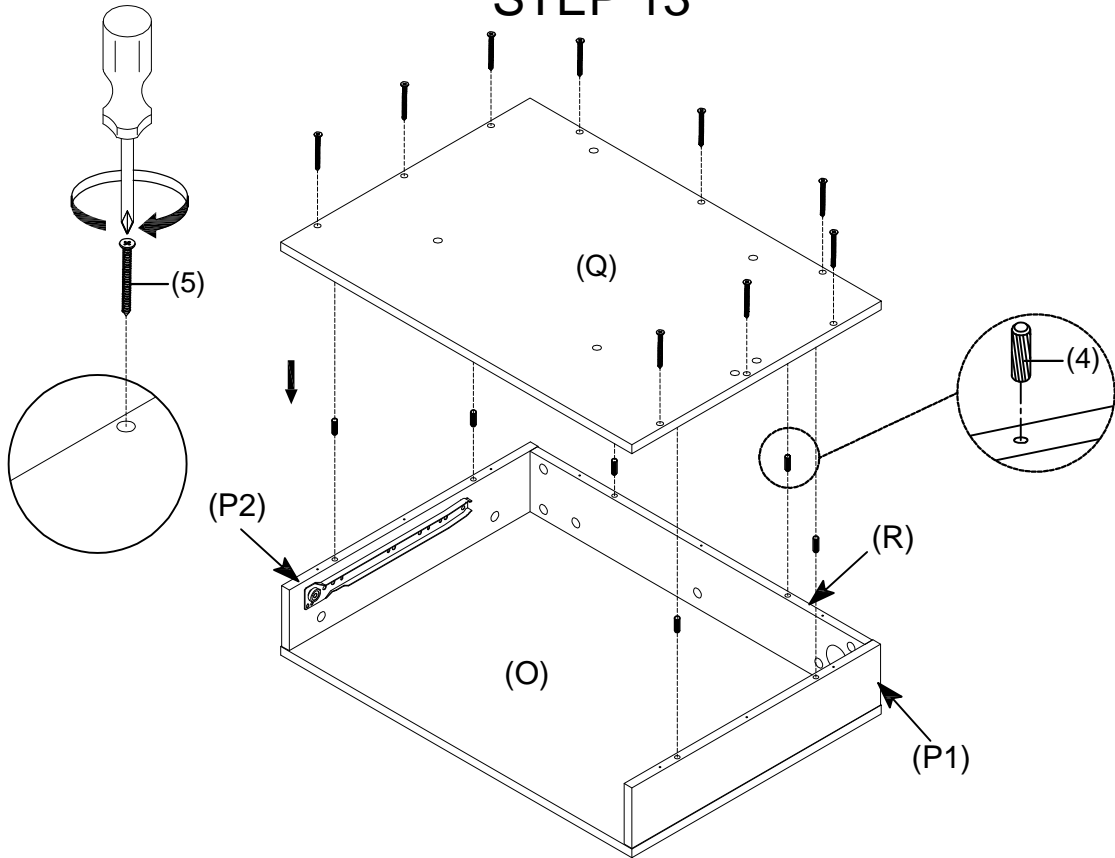
1		Big Cam Lock	4 pcs	4		Ø8x30mm Wood Dowel	2 pcs
---	---	--------------	-------	---	---	--------------------	-------



# STEP 12



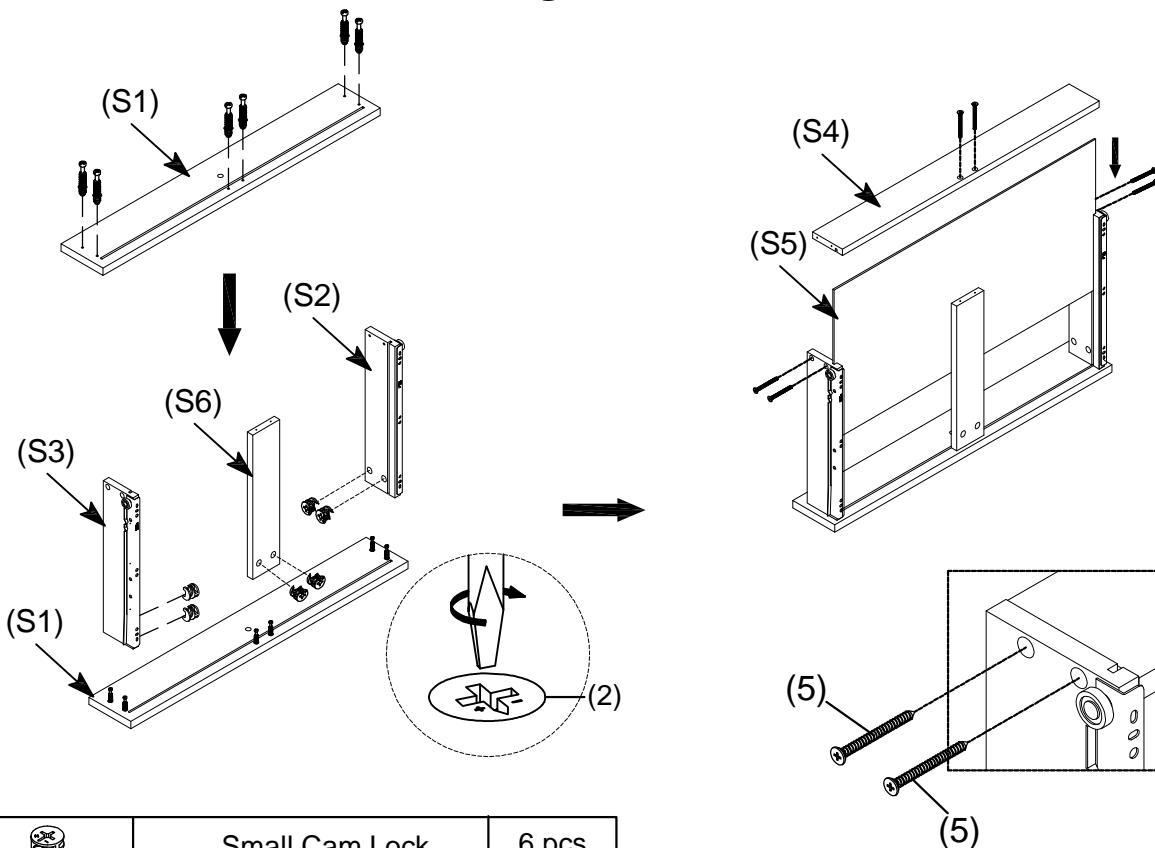
1		Big Cam Lock	7 pcs	4		Ø8x30mm Wood Dowel	6 pcs
---	---	--------------	-------	---	---	--------------------	-------



## STEP 13



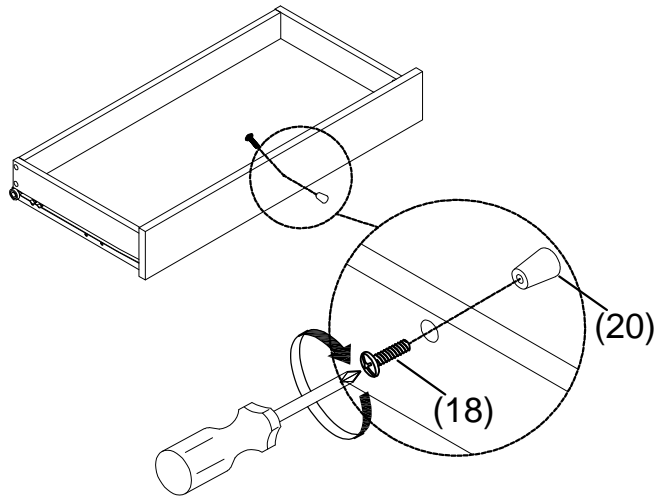
4		Ø8x30mm Wood Dowel	6 pcs	5		M4x35mm Flat Head Screw	9 pcs
---	---	--------------------	-------	---	---	-------------------------	-------

## STEP 14



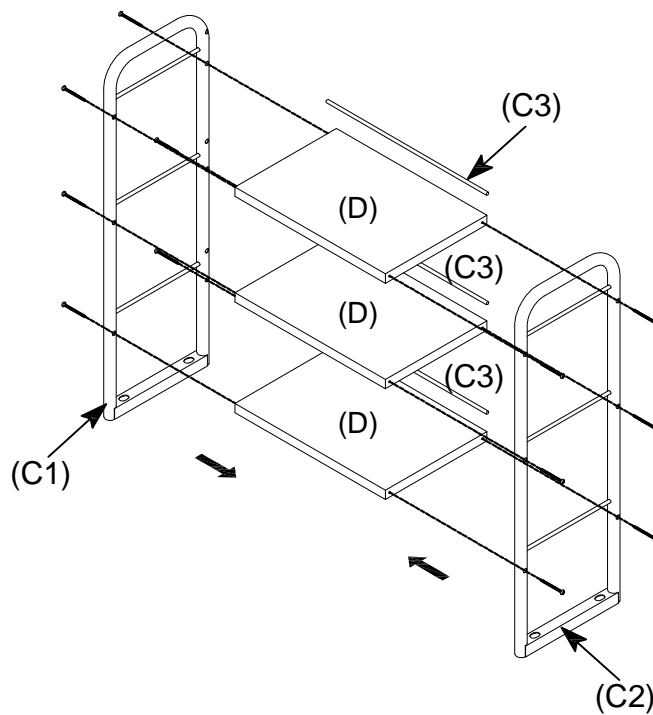
2		Small Cam Lock	6 pcs	5		M4x35mm Flat Head Screw	6 pcs
3		Cam Bolt	6 pcs				


# STEP 15



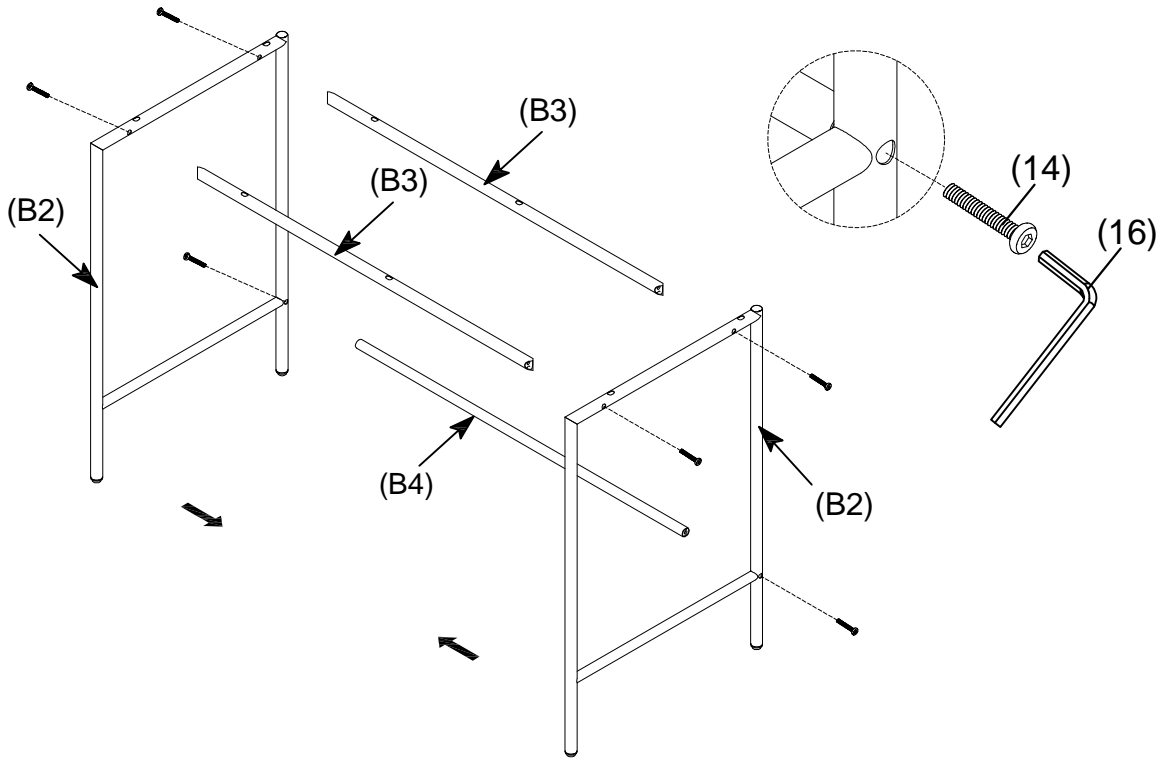
18		Ø5/32"x20mm Bolt with Screw Head	1 pc	20		Handle	1 pc
----	---	----------------------------------	------	----	---	--------	------

# STEP 16



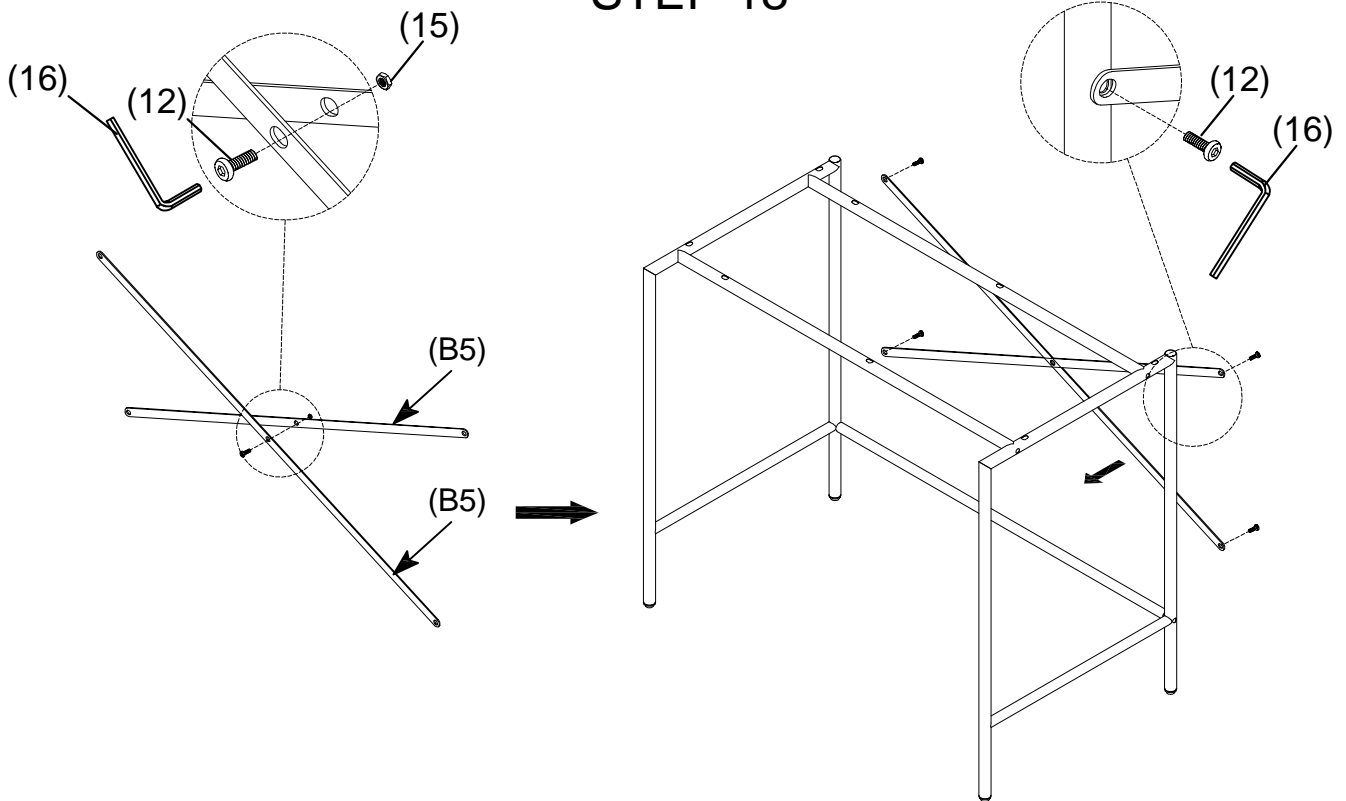
11		M4*35mm Wood Screw	12 pcs
----	---	--------------------	--------

# STEP 17



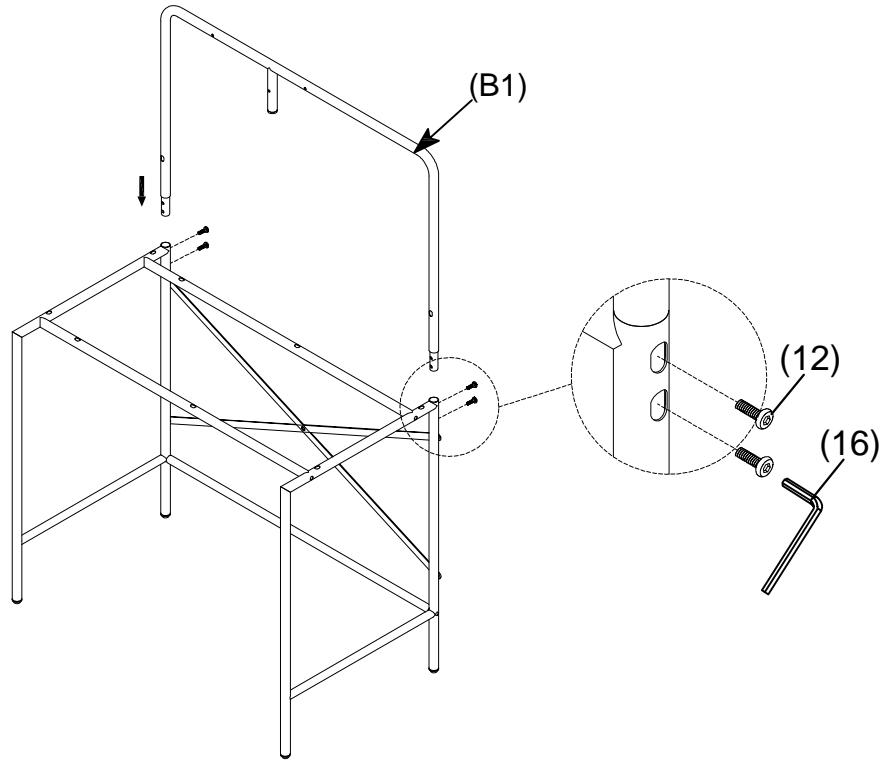
14		Bolt 1/4" x 30mm	6 pcs	16		Allen Key 4mm	1 pc
----	--	------------------	-------	----	--	---------------	------

# STEP 18



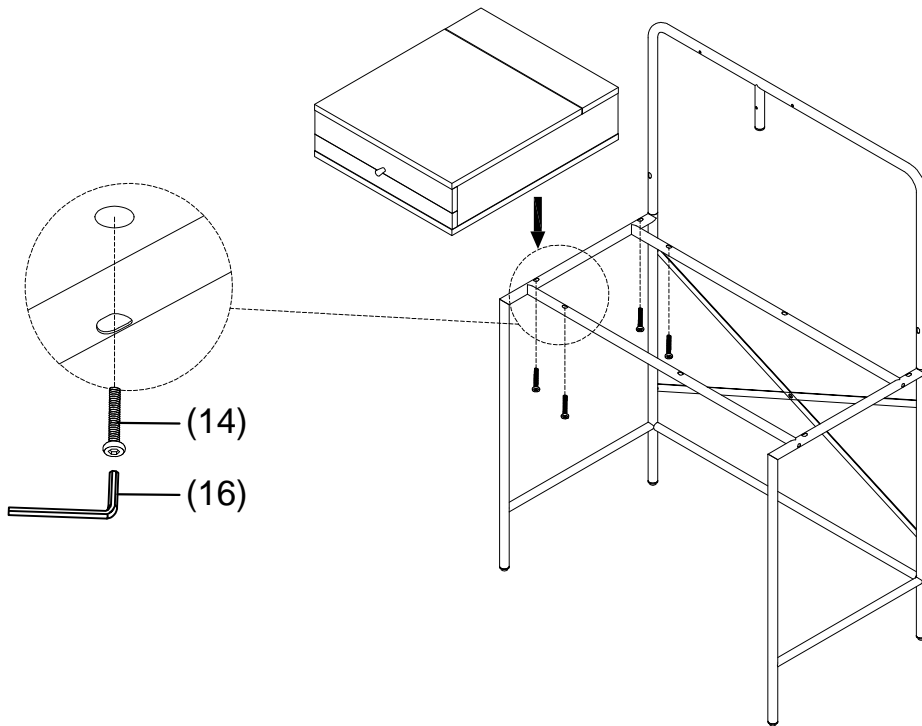
12		Bolt 1/4" x 12mm	5 pcs	16		Allen Key 4mm	1 pc
15		Nut 1/4" x 5mm	1 pc				

# STEP 19



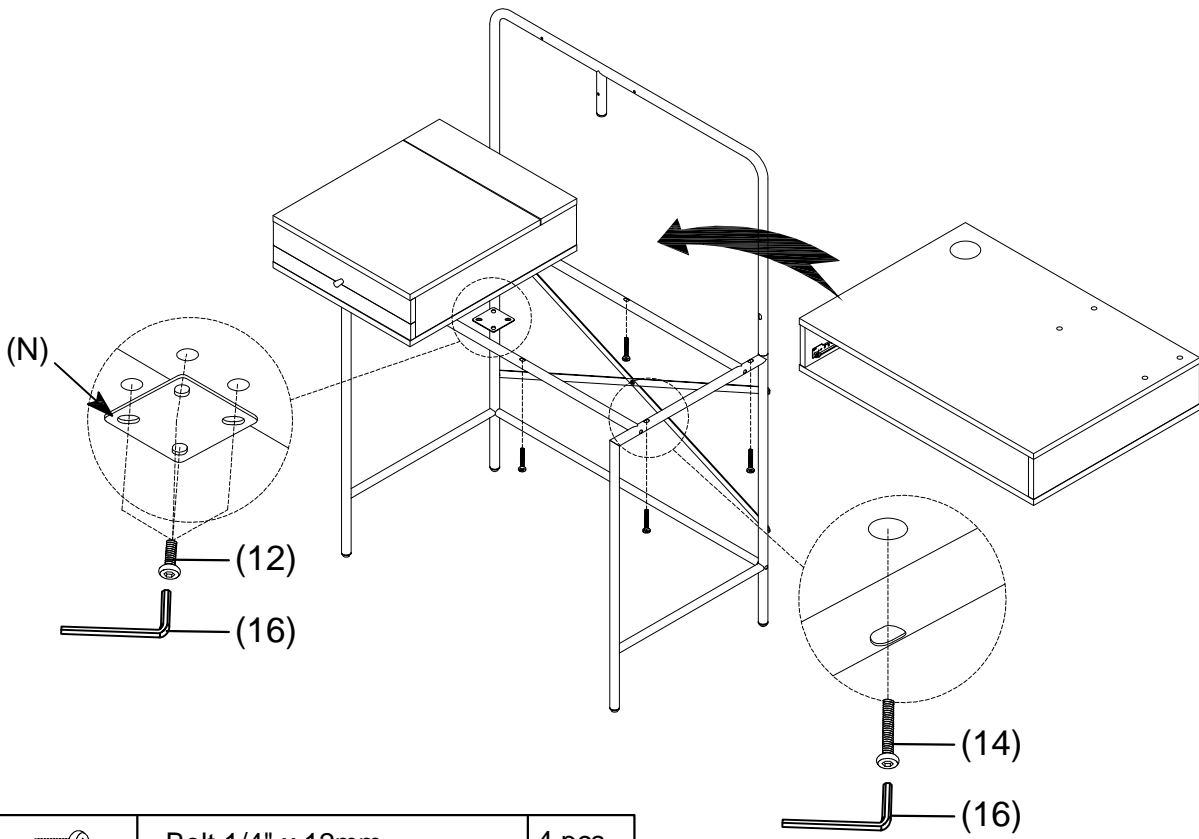
12		Bolt 1/4" x 12mm	4 pcs	16		Allen Key 4mm	1 pc
----	---	------------------	-------	----	---	---------------	------

# STEP 20



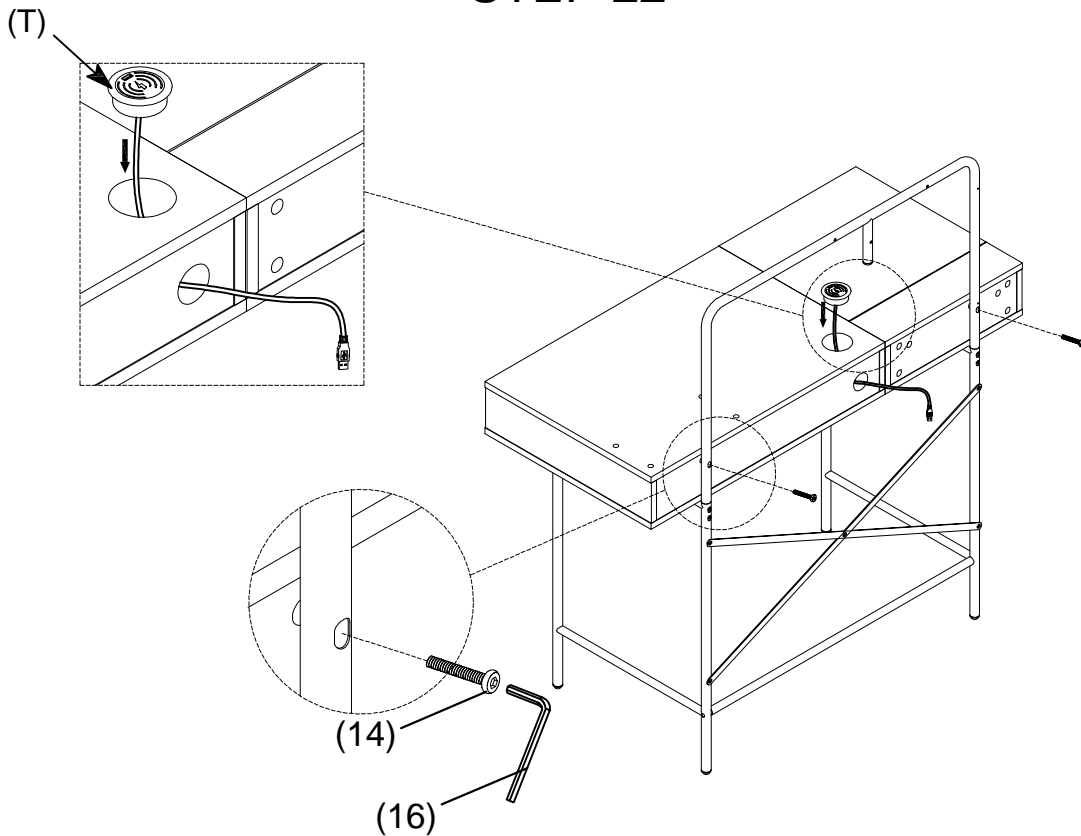
14		Bolt 1/4" x 30mm	4 pcs	16		Allen Key 4mm	1 pc
----	---	------------------	-------	----	---	---------------	------

## STEP 21



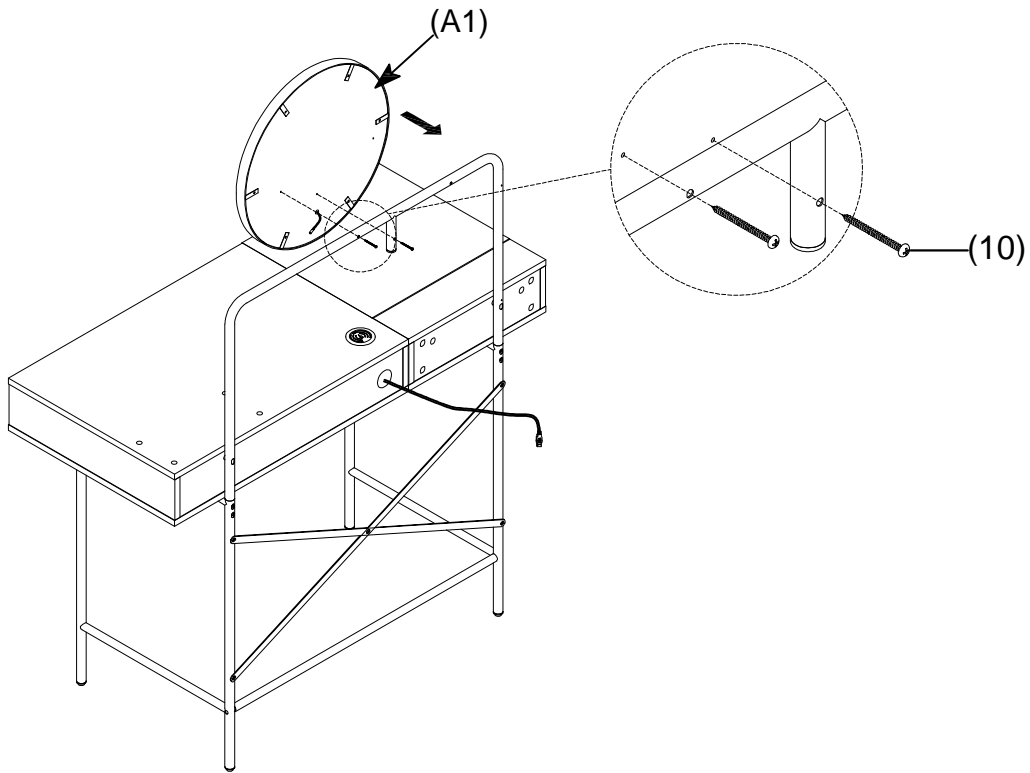
12		Bolt 1/4" x 12mm	4 pcs			
14		Bolt 1/4" x 30mm	4 pcs	16		Allen Key 4mm
						1 pc


## STEP 22



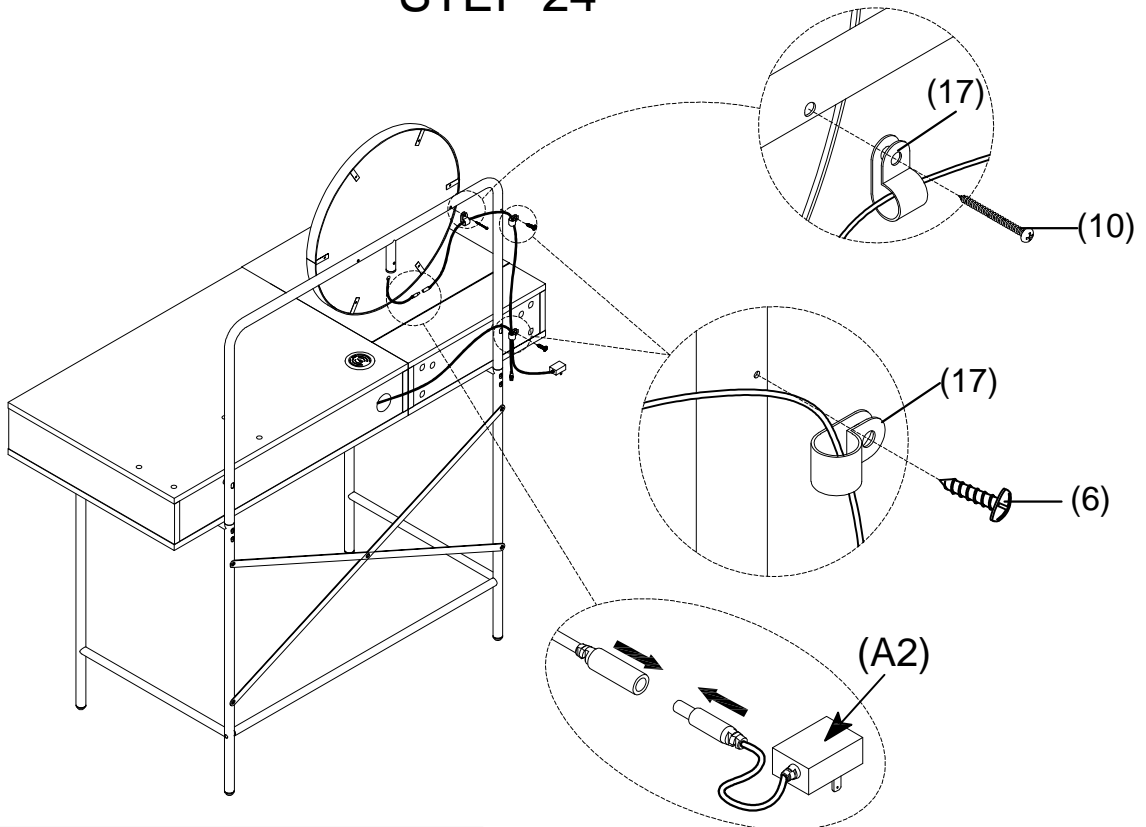
14		Bolt 1/4" x 30mm	2 pcs	16		Allen Key 4mm
						1 pc


## STEP 23





10		M4*28mm Wood Screw	2 pcs
----	---	--------------------	-------

## STEP 24

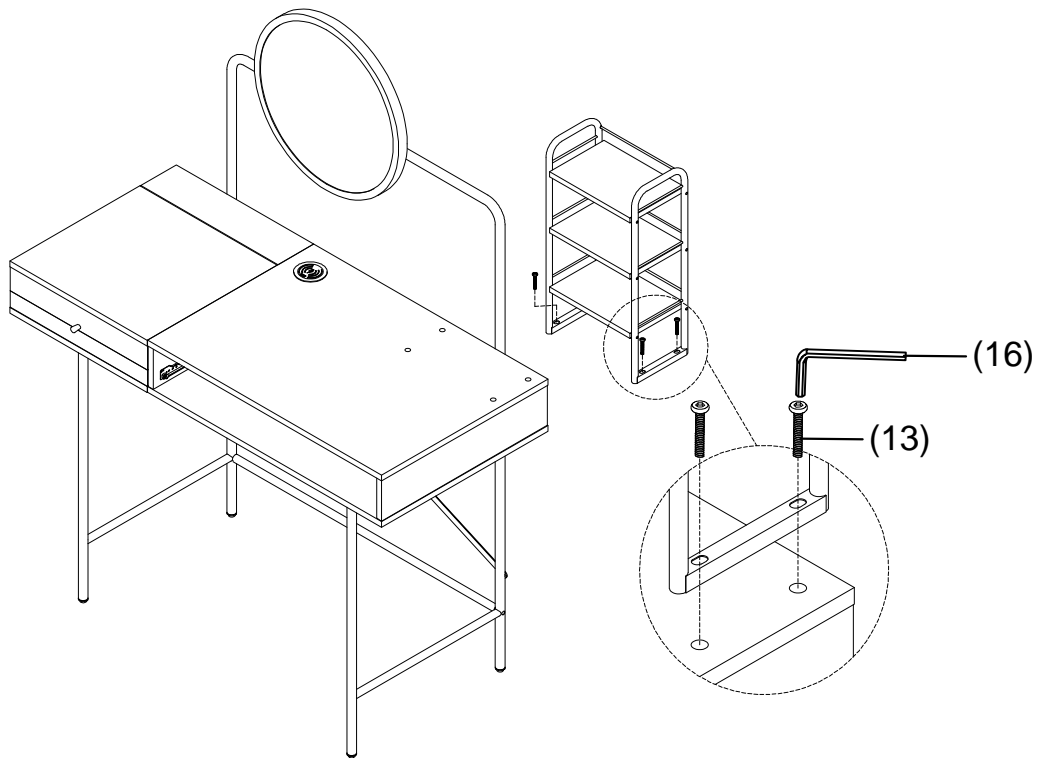


6		M3.5*12mm Wood Screw	2 pcs
---	---	----------------------	-------

10		M4*28mm Wood Screw	1 pc
----	---	--------------------	------

17		R-Wire Clip	3 pcs
----	---	-------------	-------

# STEP 25



13		Bolt 1/4" x 25mm	4 pcs	16		Allen Key 4mm	1 pc
----	---	------------------	-------	----	---	---------------	------

# STEP 26

