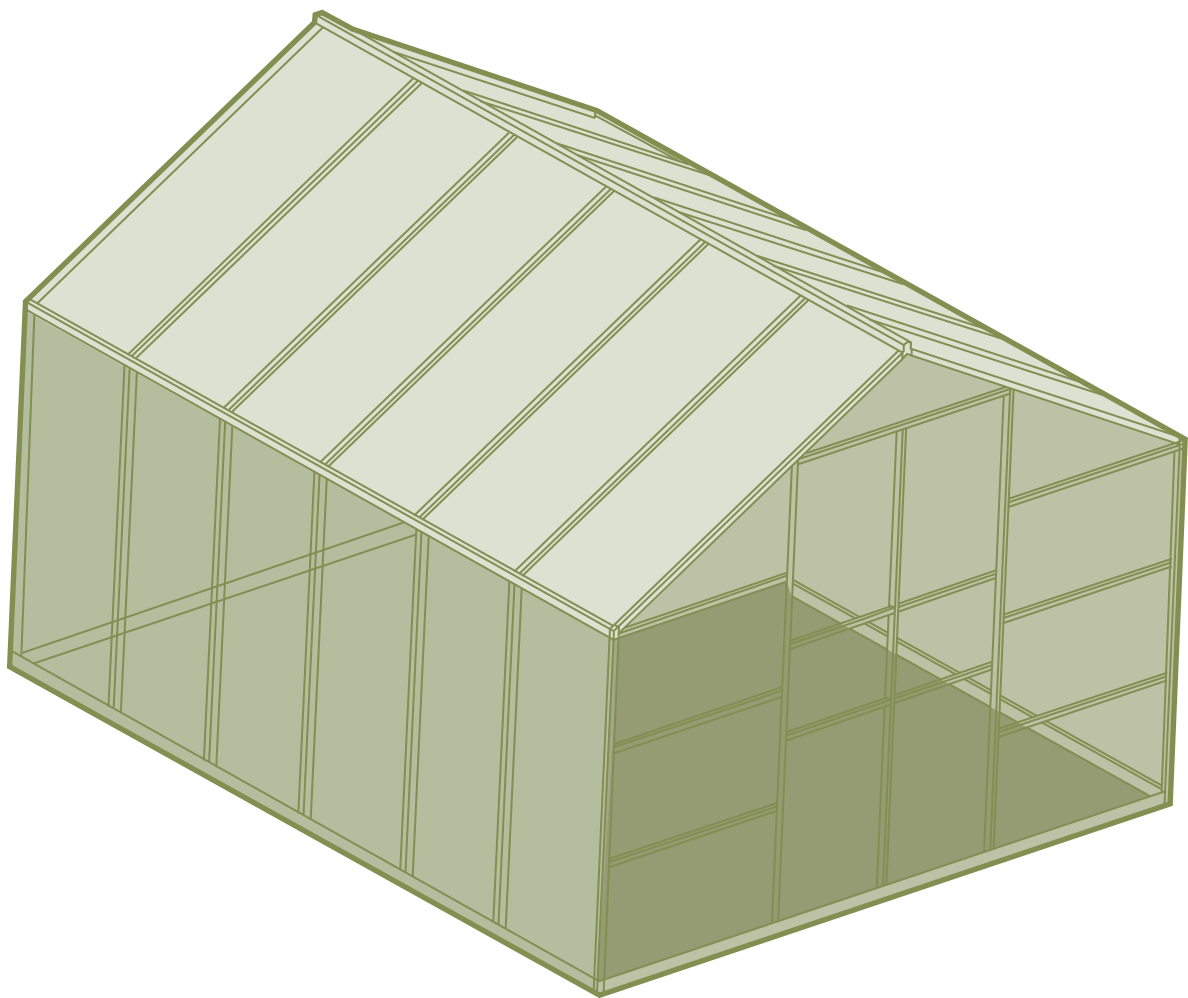


Aluminum Greenhouse 10x12FT

ASSEMBLY INSTRUCTIONS



Please read all instructions carefully before assembly. It is best to familiarize yourself with the parts and collate the appropriate parts for each step.

If you encounter any problems during the assembly process, contact us anytime!



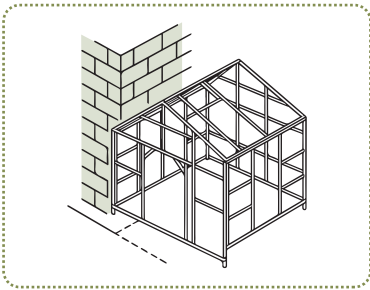
support@sylviera.com

213-796-9388

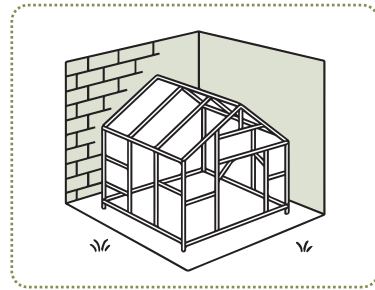


Where to Put Your Outdoor House

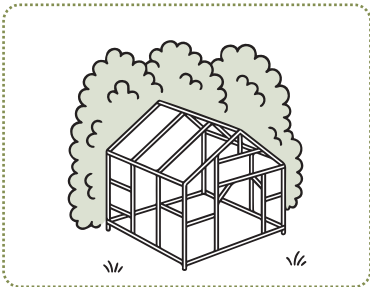
In order to ensure the safety of use and the convenience of subsequent maintenance, we recommend that you install this product in a covered environment and avoid choosing a completely open space. The following locations are recommended:



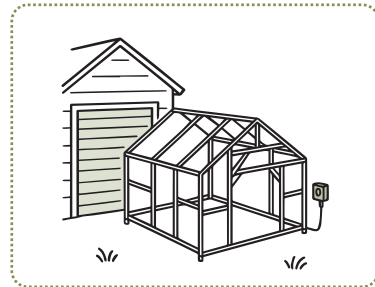
✓ **Close to the building facade:**
For example, the walls of houses or warehouses can be used to improve stability.



✓ **Next to the fence or in the corner of the courtyard:** Provide proper shelter from strong winds.



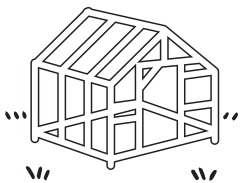
✓ **Behind a hedge or hedge:**
Natural shading, both aesthetic and practical.



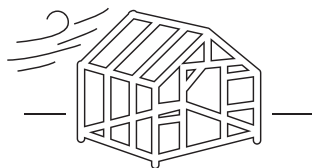
✓ **Next to the garage or shed:**
Easy to connect to power or tools for easy access.



Do not install this product on:



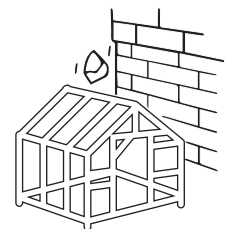
✗ **In the middle of the open meadow**



✗ **Strong winds, unsheltered areas**



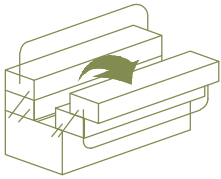
✗ **Steep slopes or poorly drained ground**



✗ **There may be a location for falling objects at high altitudes**

1. Aluminum Parts :

Product Setup: What You Need



Toolbox



Hammer



Gloves



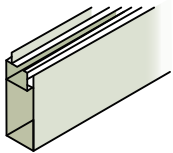
Power drill



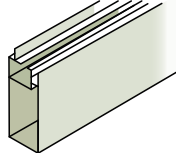
Tape Measure



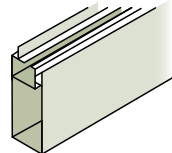
Bitbits



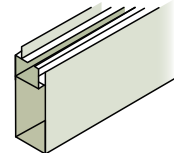
#1 A1-1 x2



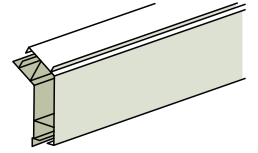
#2 A1-2 x2



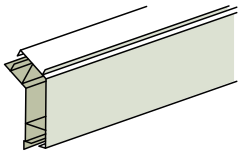
#3 A2-1 x2



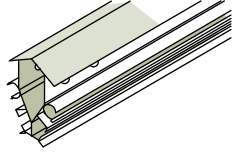
#4 A2-2 x2



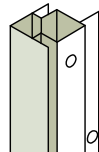
#5 A3-1 x2



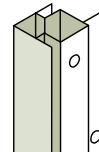
#6 A3-2 x2



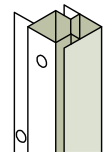
#7 A4 x2



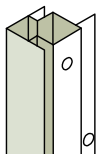
#8 A5-1 x1



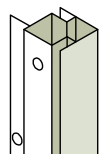
#9 A5-2 x1



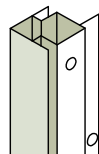
#10 A5-3 x1



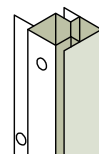
#11 A5-4 x1



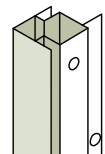
#12 A6-1 x1



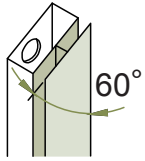
#13 A6-2 x1



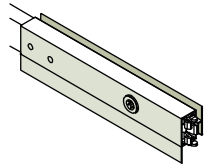
#14 A6-3 x1



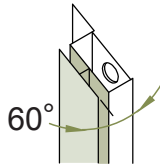
#15 A6-4 x1



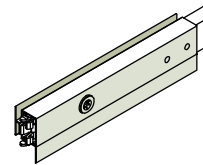
#16 A7-1 x1



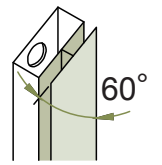
#17 A7-2 x1



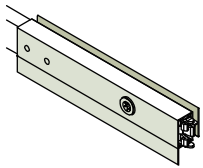
#18 A7-3 x1



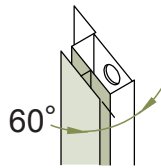
#19 A7-4 x1



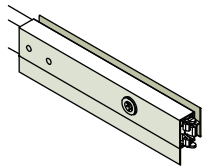
#20 A8-1 x1



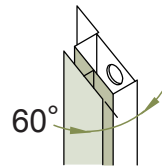
#21 A8-2 x1



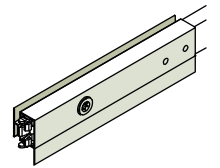
#22 A8-3 x1



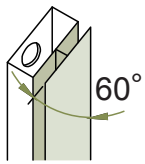
#23 A8-4 x1



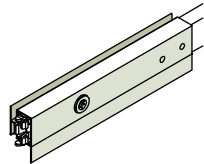
#24 A9-1 x1



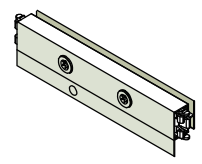
#25 A9-2 x1



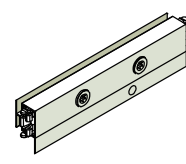
#26 A9-3 x1



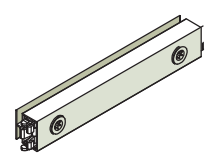
#27 A9-4 x1



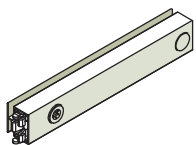
#28 A10-1 x2



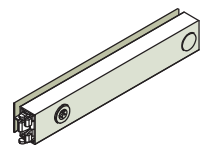
#29 A10-2 x2



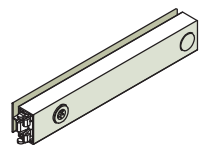
#30 A11 x4



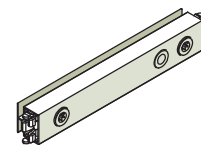
#31 A12 x4



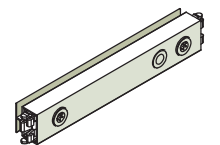
#32 A13 x2



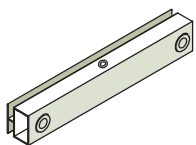
#33 A14 x2



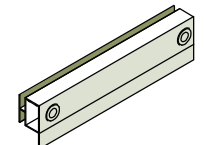
#34 A15 x10



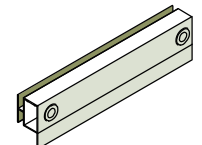
#35 A16 x6



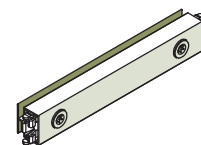
#36 A17 x2



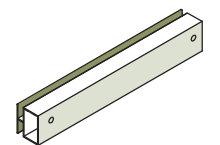
#37 A18-1 x1



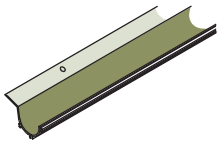
#38 A18-2 x1



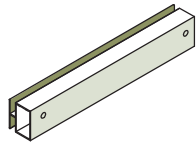
#39 A19 x2



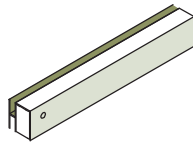
#40 A20 x4



#41 A21 x4



#42 A22-1 x1



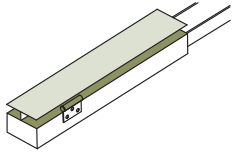
#43 A22-2 x1



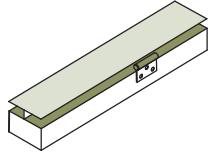
#44 A22-3 x1



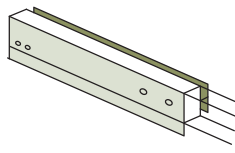
#45 A22-4 x1



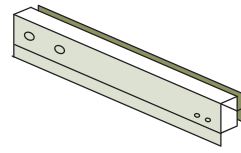
#46 A23-1 x1



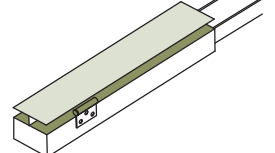
#47 A23-2 x1



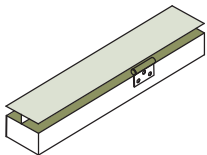
#48 A23-3 x1



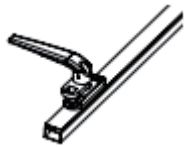
#49 A23-4 x1



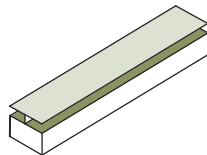
#50 A24-1 x1



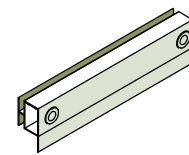
#51 A24-2 x1



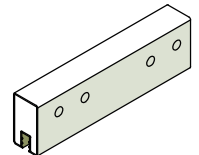
#52 A24-3 x1



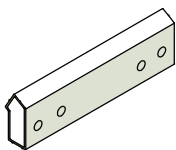
#53 A24-4 x1



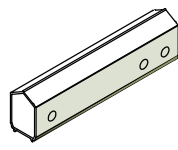
#54 A25 x1



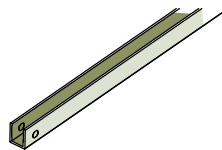
#55 A26 x4



#56 A27 x2



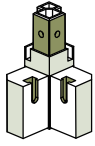
#57 A28 x1



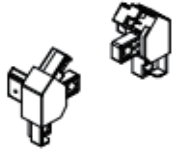
#58 A30-2 x2



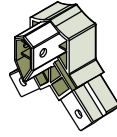
Plastic Parts:



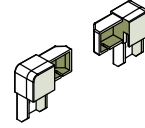
#1 H1 x4



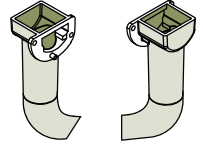
#2 H2-1 x2



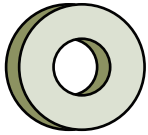
#3 H3-1 x2



#4 H4 x6

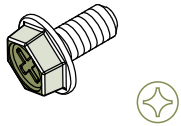


#5 H5 x2



#6 C5 x4

Hardware:

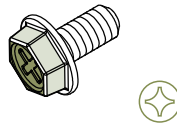


#1 H6 x22

SIZE:M6x30



#2 H7 x1



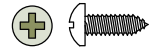
#3 H8 x98

SIZE:M6x12



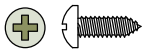
#4 H9 x30

SIZE:M6



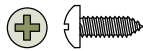
#5 H11 x28

SIZE:ST4x10



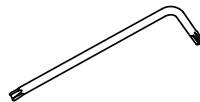
#6 H12 x16

SIZE:ST5x10



#7 H13 x12

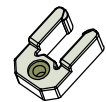
SIZE:ST5x16



#8 H14 x1



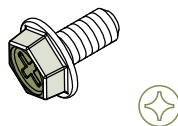
#9 H15 x1



#10 H16 x2

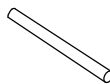


#11 H17 x4

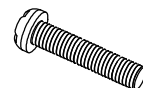


#12 H18 x14

SIZE:M6x20

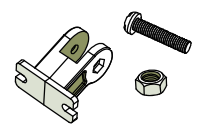


#13 H19 x2

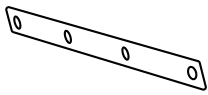


#14 H20 x2

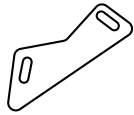
SIZE:M4x38



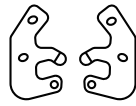
#15 A30-1 x2



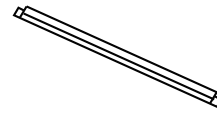
#16 C1 x2



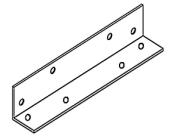
#17 C2 x2



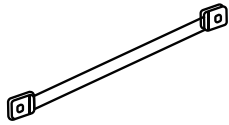
#18 C3-1 x2



#19 C6 x10



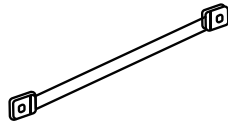
#20 C7 x4



#21 C9 x4



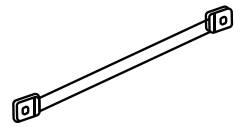
#22 C10 x2



#23 C11 x2



#24 C12 x2



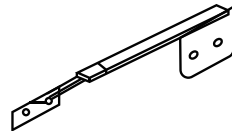
#25 C13 x2



#26 C14 x10



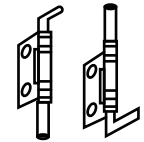
#27 C15 x5



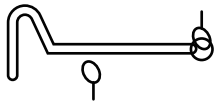
#28 C16 x1



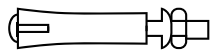
#29 C17 x1



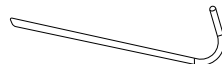
#30 C18 x1



#31 C19 x2

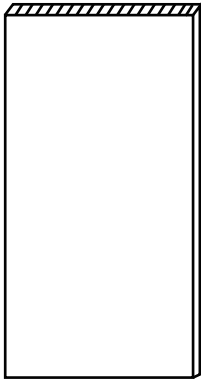
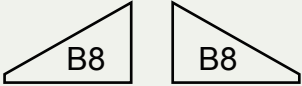
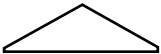

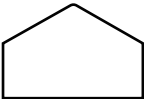

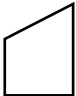


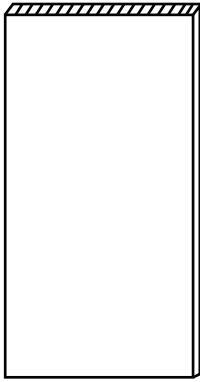
#32 F8 x8



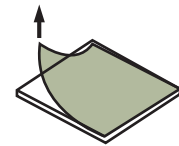
#33 F9 x8

Twin PC Board:

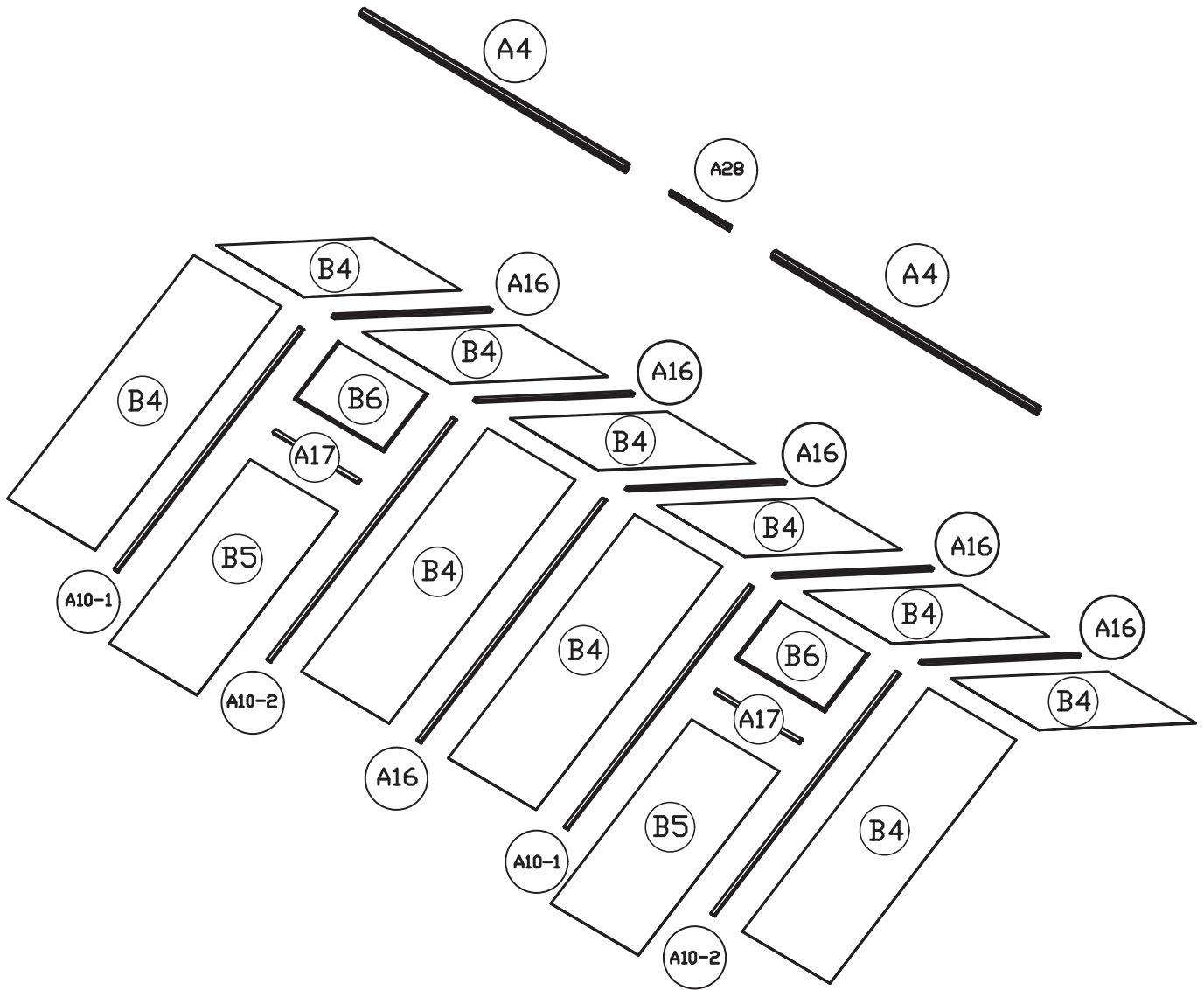
No.	Picture	Qty.	
B		B1	x6
		B2	x2
		B3	x12
		B4	x10
		B5	x2
		B7	x2
		B8	x2
		B9	x1
		B10	x2
		B13	x1
		B6	x2
	B11	x2	

No.	Picture	Qty.	
B		B12	x1
		B14	x1
		B15	x2
		B16	x4

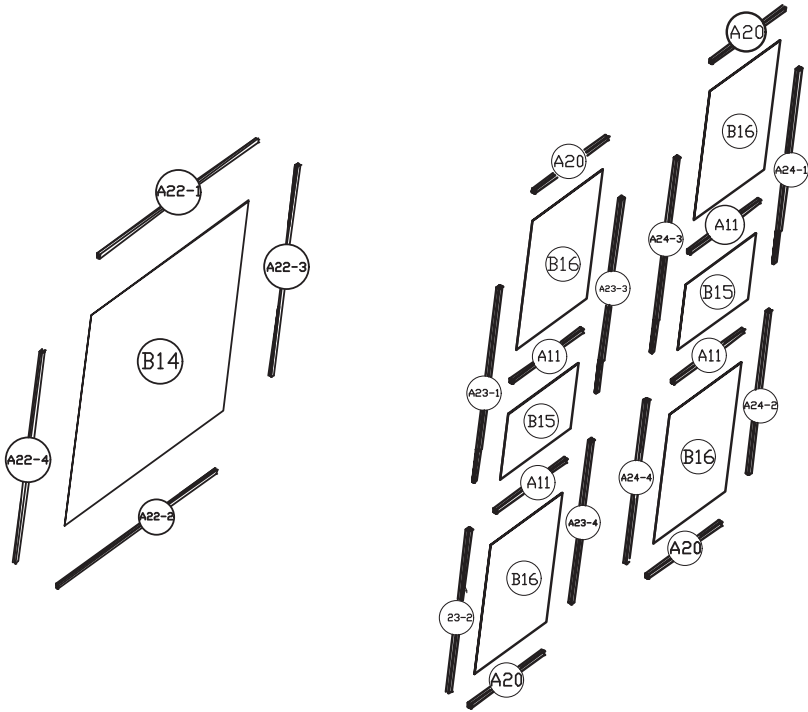
Note: Film on both sides to be peeled off before installation.



3. Roof Section



4. Door and Window Section





Please read the following carefully before assembling

Precautions for assembling the PC board:

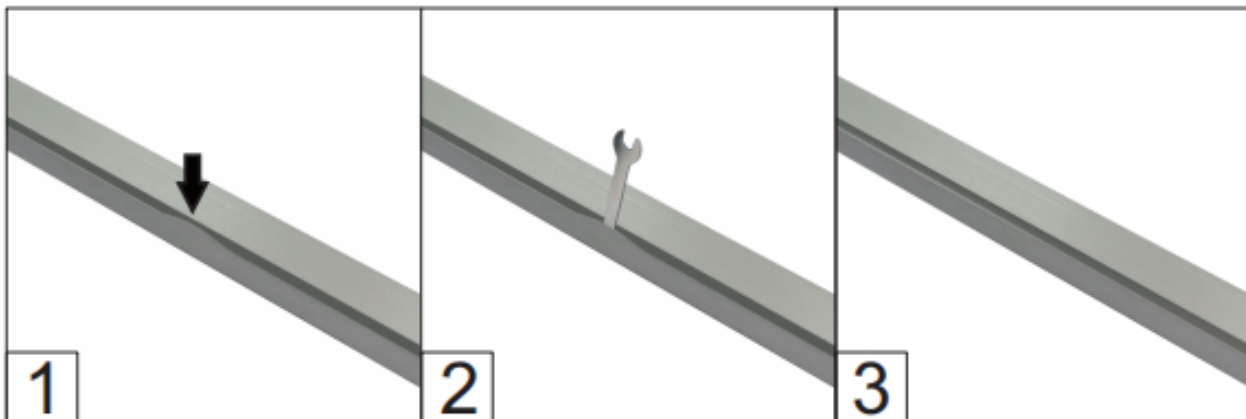
1. Before assembly, it is necessary to remove the film on both sides of the PC board;



2. It is recommended that silicone sealant can be applied to the edges of the PC board when installing it to enhance the overall firmness.

3. When installing the C7, pay attention: C7 Please install the installation manual, if it is a cement floor, fix it with expansion screw F8; The muddy ground is fixed with ground nail F9.

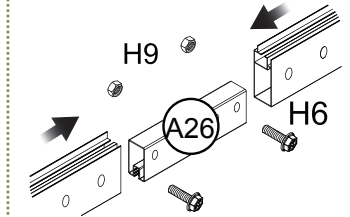
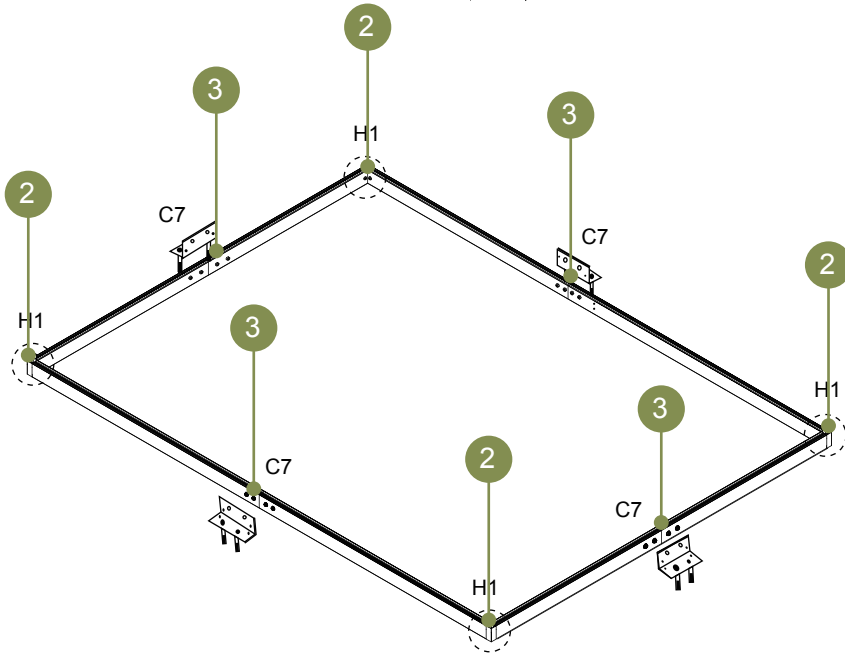
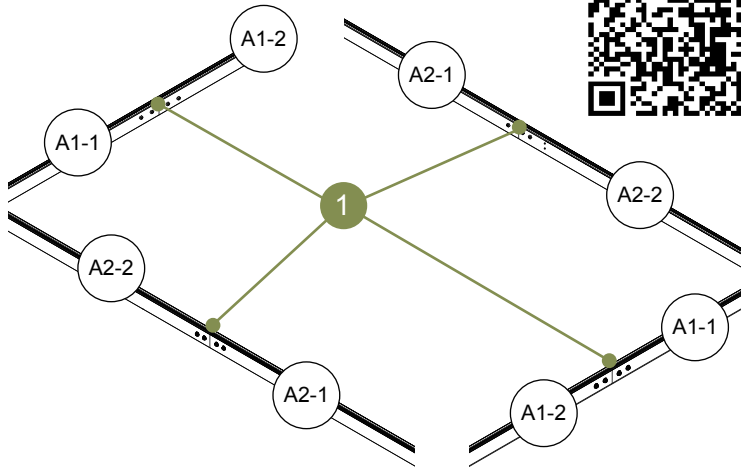
Warning: Do not install in windy weather!



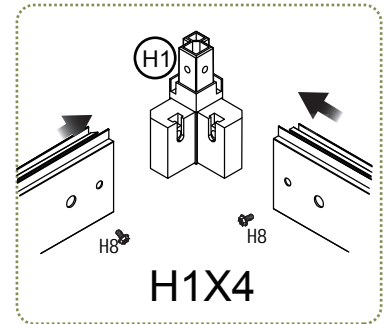
If the aluminum part curved as below picture, please use the wrench to restore it.

STEP 1 Installation of Ground Beams

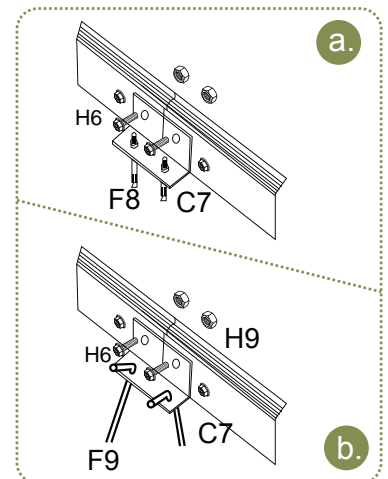
Ground Fixing Video



1. Note: Only the first and fourth holes of A26 are used to fix the ground beam, and the middle two holes are used to fix C7, as shown in step 3 below



2. H1 is assembled as shown in the picture



3. When installing C7, please note that if the greenhouse is assembled on cement floor, use expansion screw F8 to fix C7, as shown in Figure "a"; If the greenhouse is assembled on the mud floor, use nail F9 to fix C7, as shown in Figure "b"

List:

1 A1-1 x2



5 A26 x4



9 F9 x8



2 A1-2 x2



6 C7 x4



10 H6 M6x30 x16



3 A2-1 x2



7 H1 x4



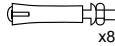
11 H9 M6 x16



4 A2-2 x2



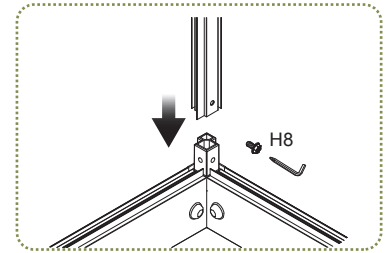
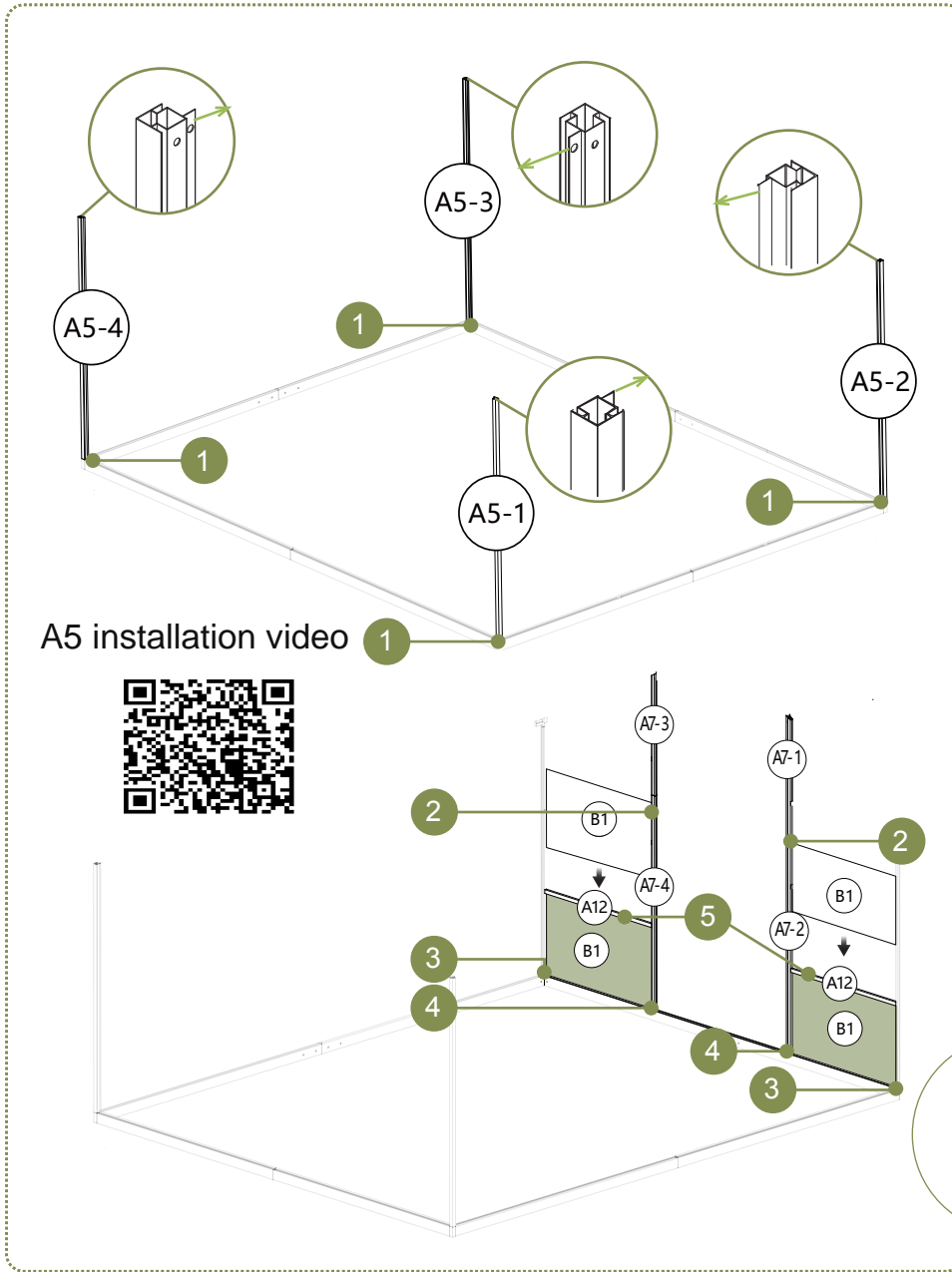
8 F8 x8



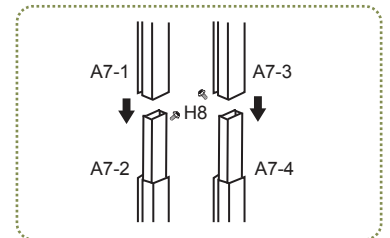
12 H8 M6x12 x8



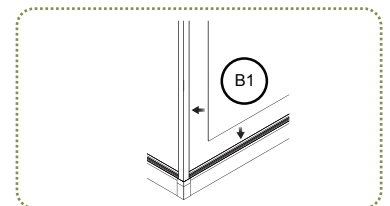
STEP 2 Installation of Posts and Front Panels



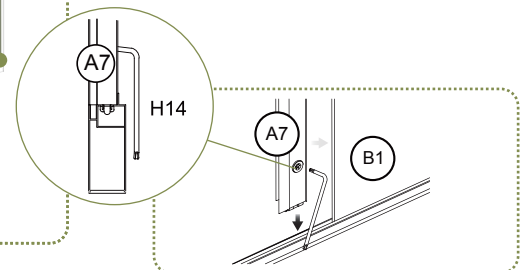
1. Please note the A5 orientation



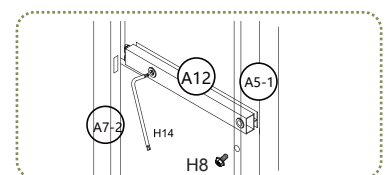
2. A7-1 and A7-3 are inserted into A7-2 and A7-4, respectively, and secured with H8



3. The B1 panel needs to be accurately snapped into the slot

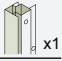

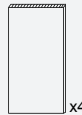
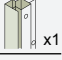
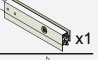

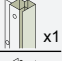

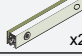
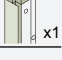
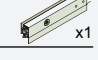


4. Snap A7 into the A1 slot of the ground beam, and snap the B1 into the slot, and tighten the lock

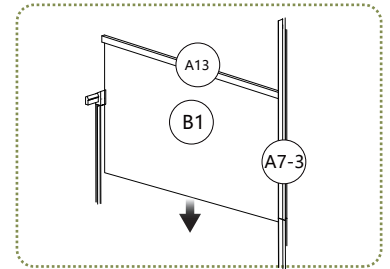
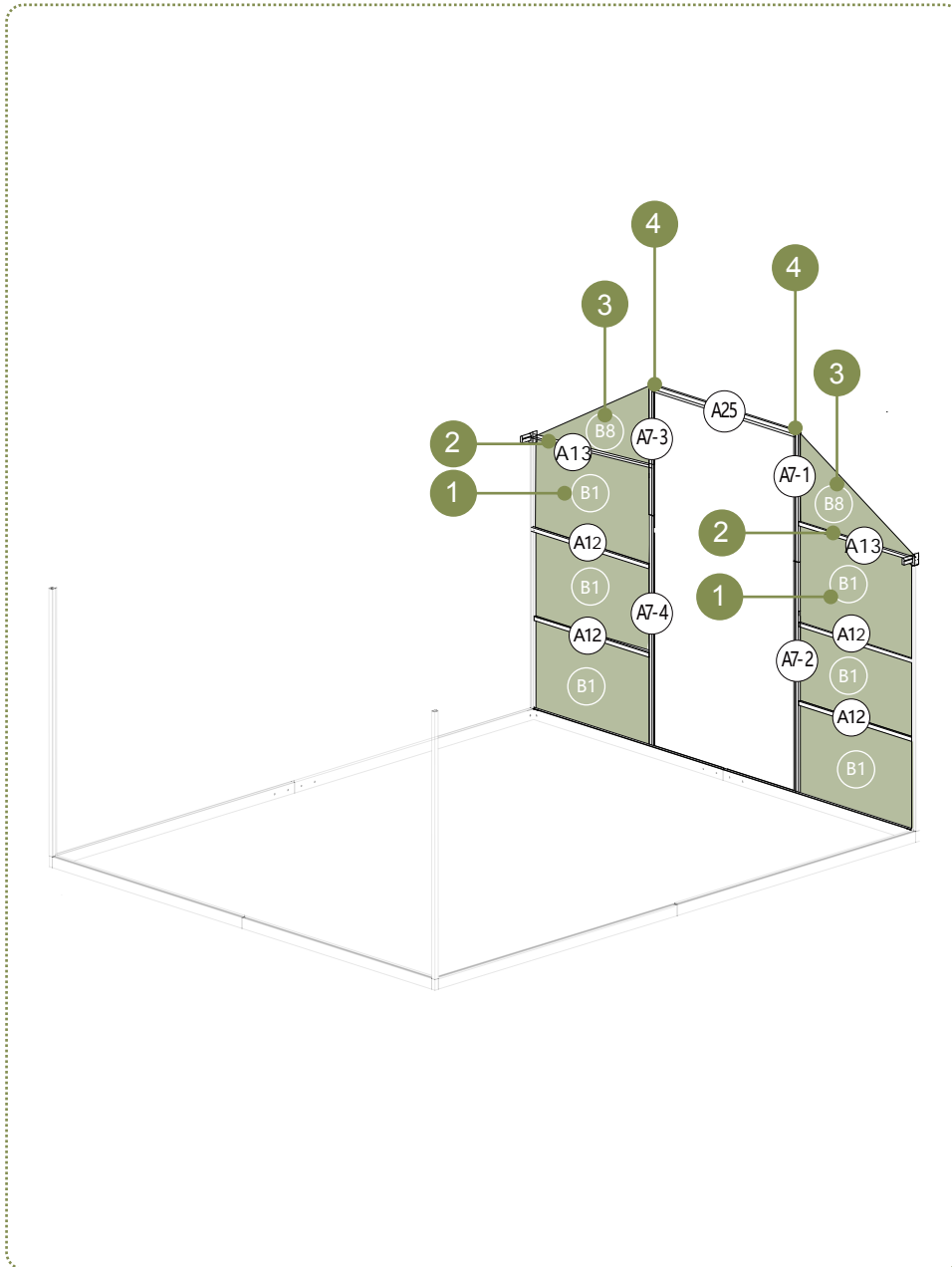


5. To install A12, you need to install B1 first

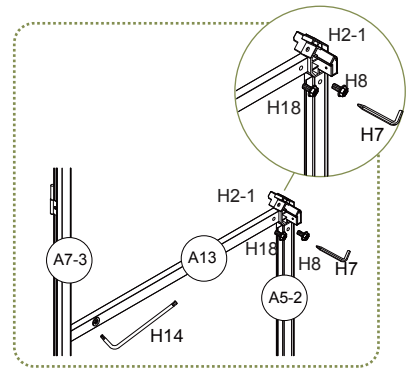
List:

1 A5-1  x1	5 A7-1  x1	9 B1  x4
2 A5-2  x1	6 A7-2  x1	10 H8 M6X12  x8
3 A5-3  x1	7 A7-3  x1	11 A12  x2
4 A5-4  x1	8 A7-4  x1	

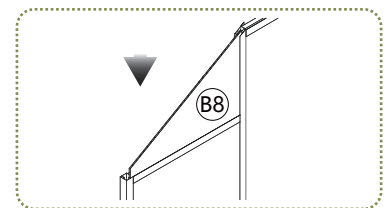
STEP 3 Installation of the Front Panel



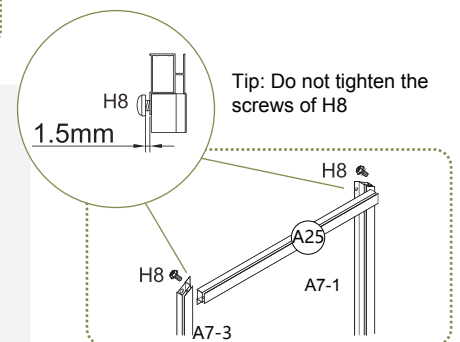
1. Plug in the B1 panel, then attach the H2-1 and A13



2. Note: The screws of H8 and H18 should not be tightened, and the back needs to be loosened

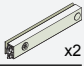

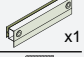




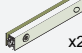


3. Please assemble the B8 as shown in the picture above



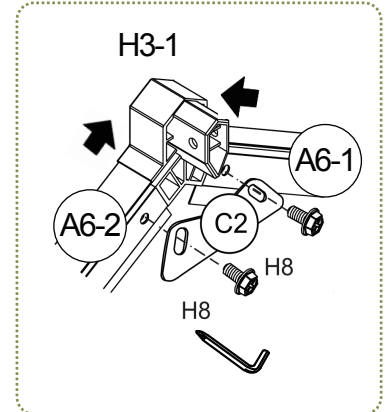
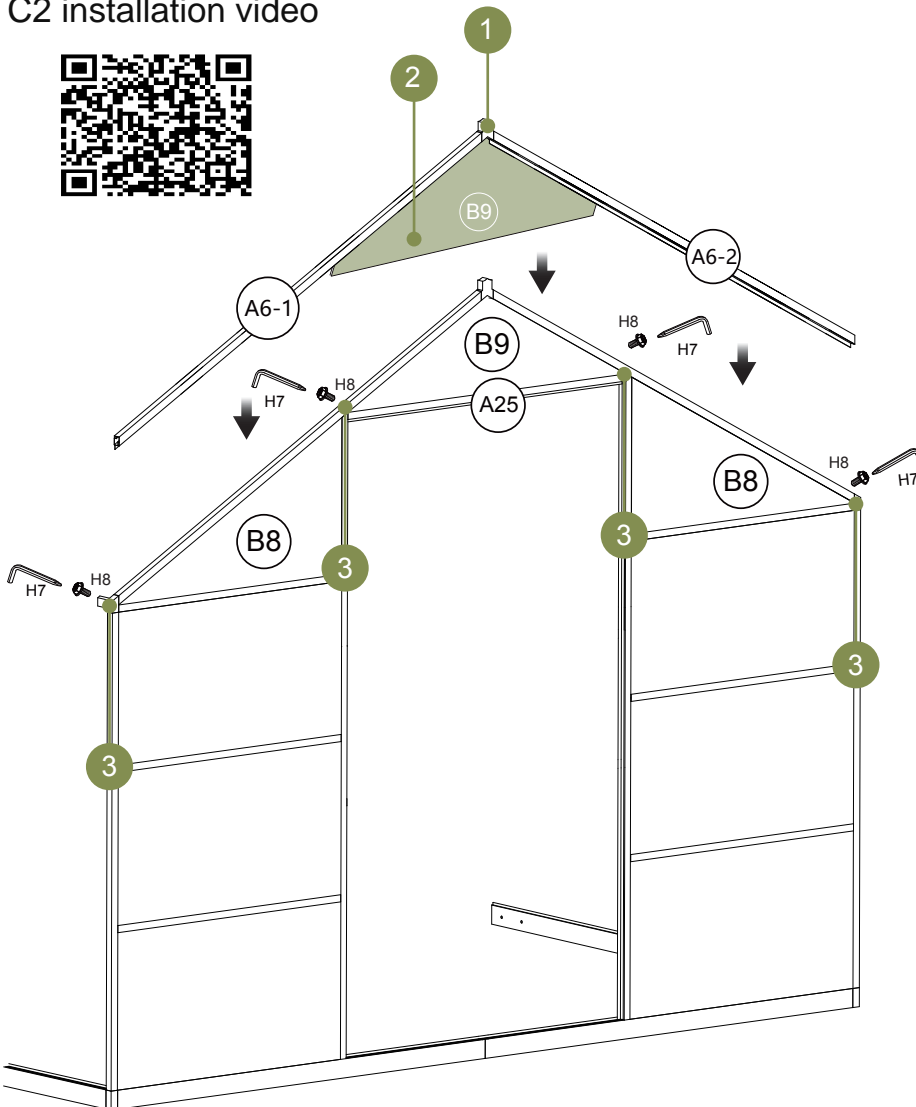
4. Install the A25 with H8 screws

List:

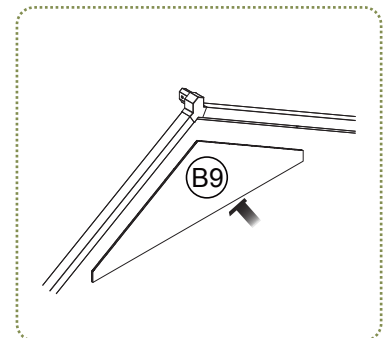
- | | | | | | |
|-------|---|----|-------------|--|----|
| 1 A13 |  | x2 | 5 H8 M6x12 |  | x4 |
| 2 A25 |  | x1 | 6 H2-1 |  | x1 |
| 3 B1 |  | x2 | 7 H18 M6x20 |  | x2 |
| 4 B8 |  | x2 | 8 A12 |  | x2 |

STEP 4 Installation of the Front Herringbone Beams

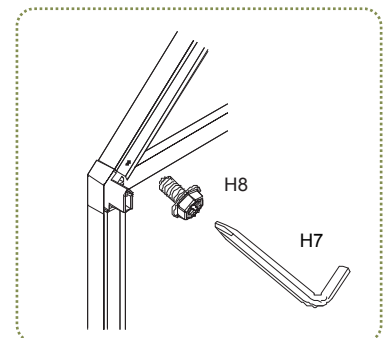
C2 installation video



1. Insert A6-1 and A6-2 into H3-1 (note A6 orientation) and connect C2 with them using H8



2. First, insert B9 into the slot of A6, and then install it as a whole onto the main body. Please note that when inserting A6 into H2-1, the edges of B8 and B9 should be accurately inserted into the slot of A6



3. Assembly of herringbone beam (H8 screw is installed from the inside)

List:

1 A6-1



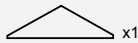
x1

2 A6-2



x1

3 B9



x1

4 C2



x1

5 H7



6 H8 M6x12



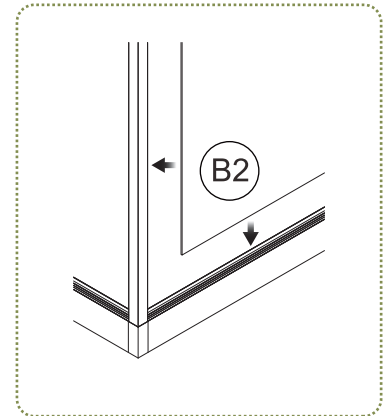
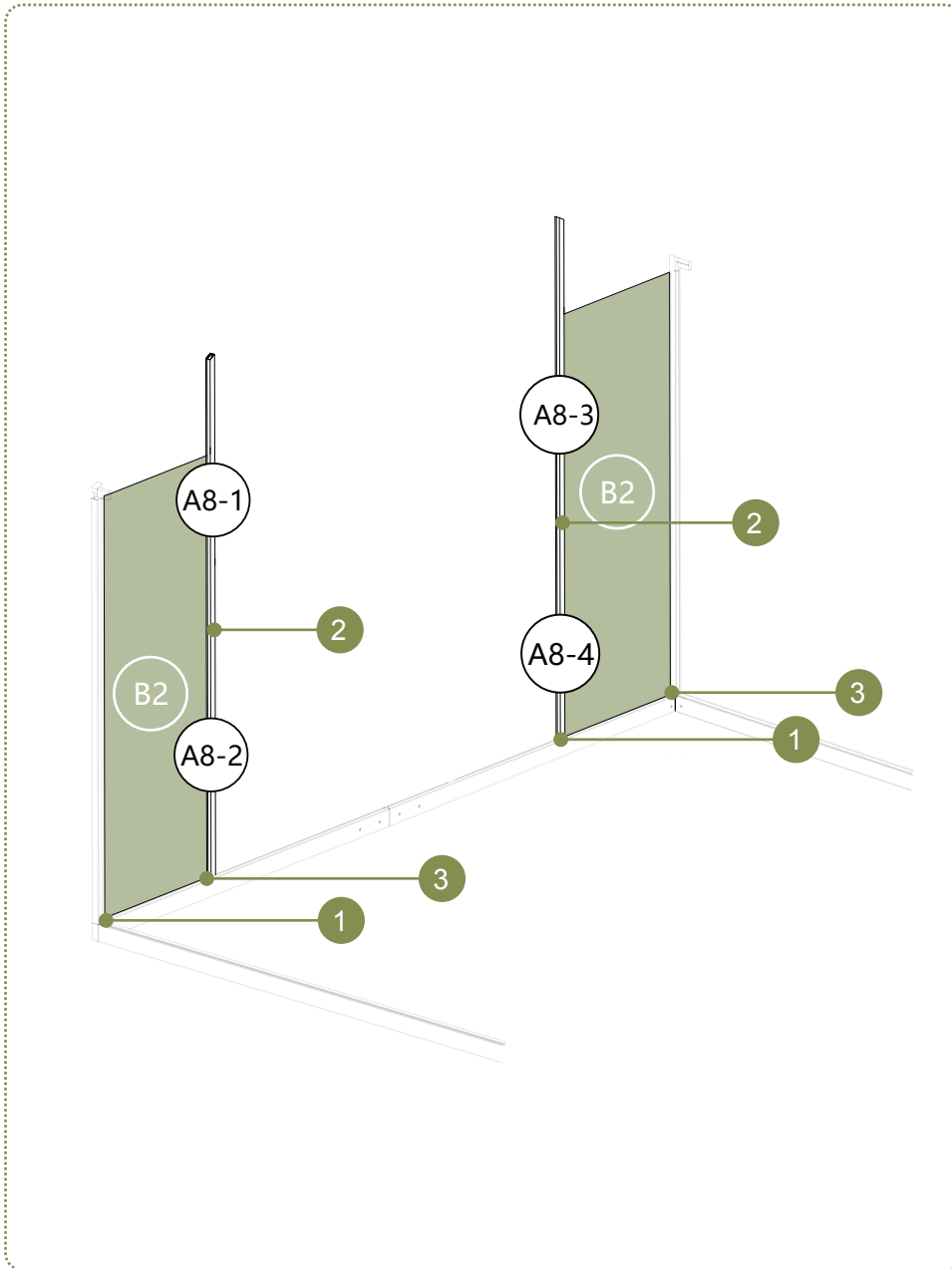
x6

7 H3-1

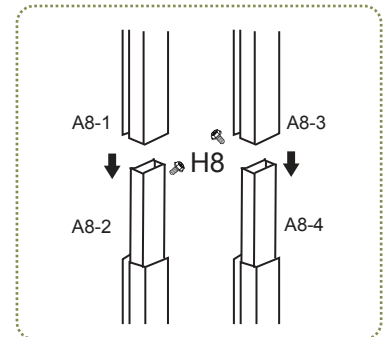


x1

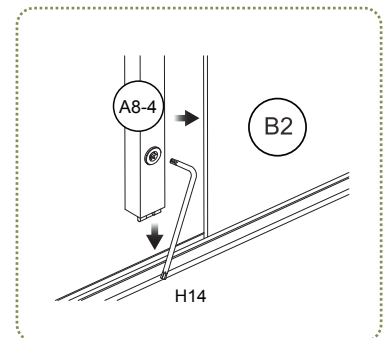
STEP 5 Installation of the Rear Panels and A8



1. Accurately insert B2 into the slot.



2. Connect A8-1 to A8-2, A8-3 to A8-4, and secure with H8.



3. Insert the connected A8 into the slot of A1 and move it to B2. Insert the edge of B2 into the slot of A8 and tighten the lock.

List:

1 A8-1



2 A8-2



3 A8-3



4 A8-4



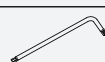
5 B2



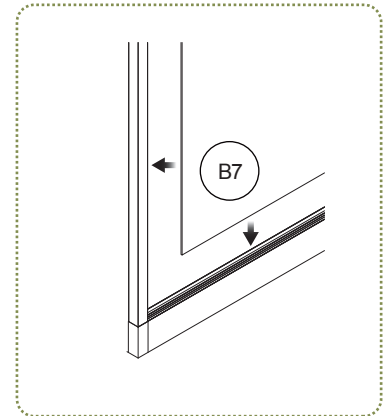
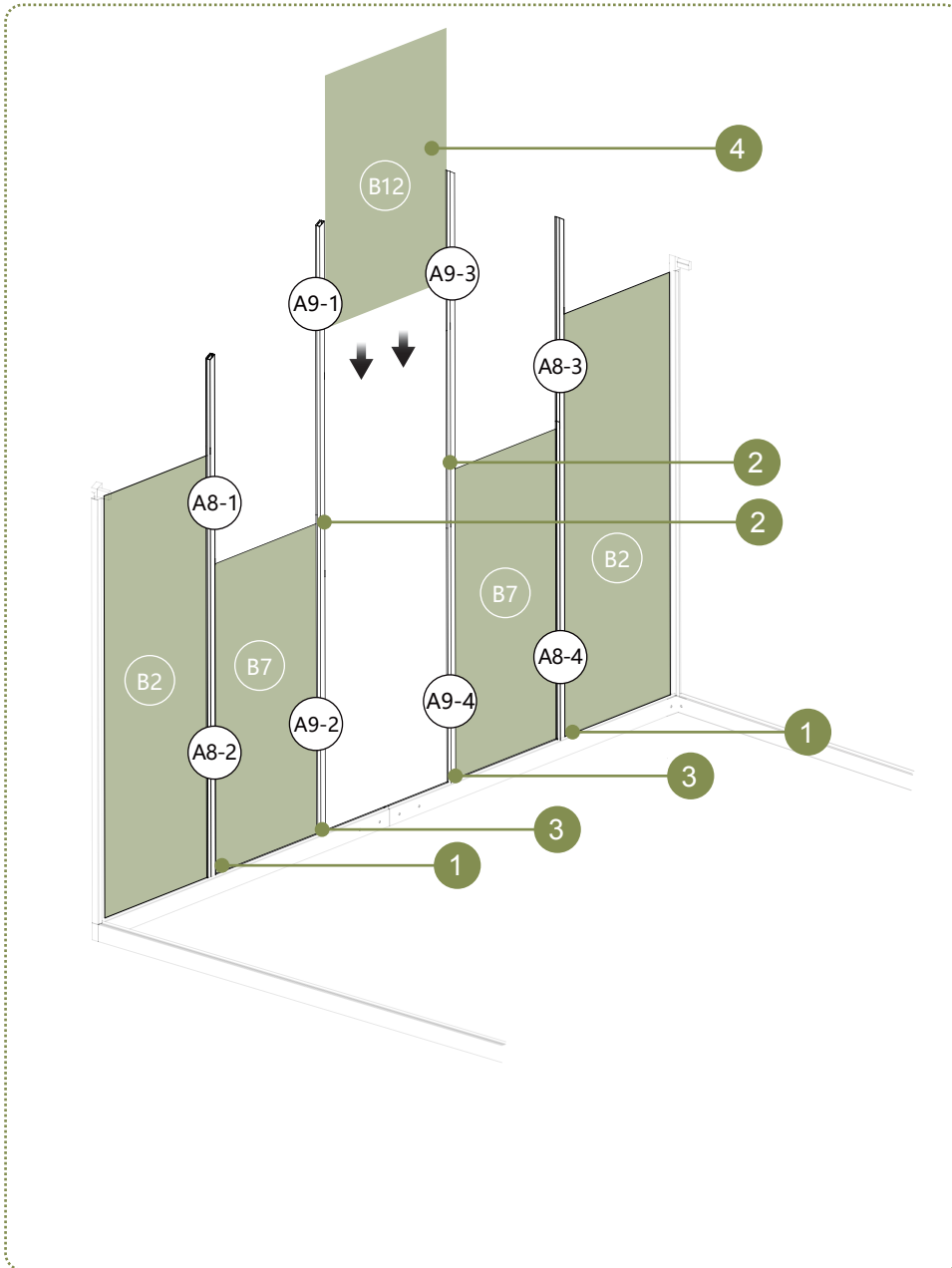
6 H8 M6x12



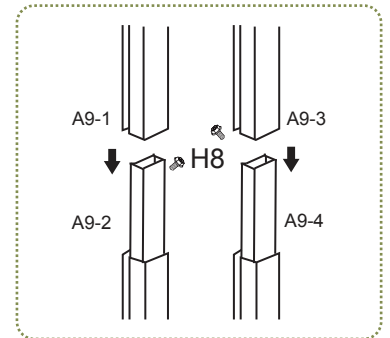
7 H14



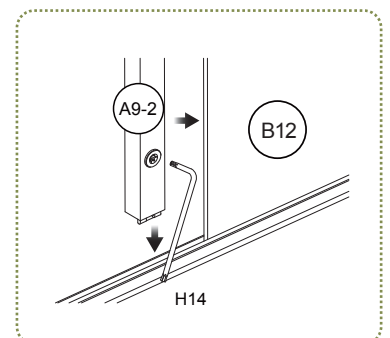
STEP 6 Installation of the Rear Panels



1. Snap B7 into the slots of A8 and A1 accurately



2. A9-1 and A9-3 are inserted into A9-2 and A9-4, respectively, and secured with H8



3. Snap A9 into the A1 slot, move to the B7 panel, make the panel accurately snap into the slot and tighten the lock

4. Insert the B12 panel along the slot of A9 from top to bottom

List:

1 A9-1



x1

2 A9-2



x1

3 A9-3



x1

4 A9-4



x1

5 B7



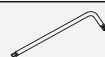
x2

6 H8 M6x12



x2

7 H14



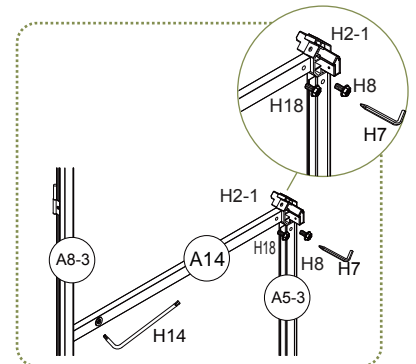
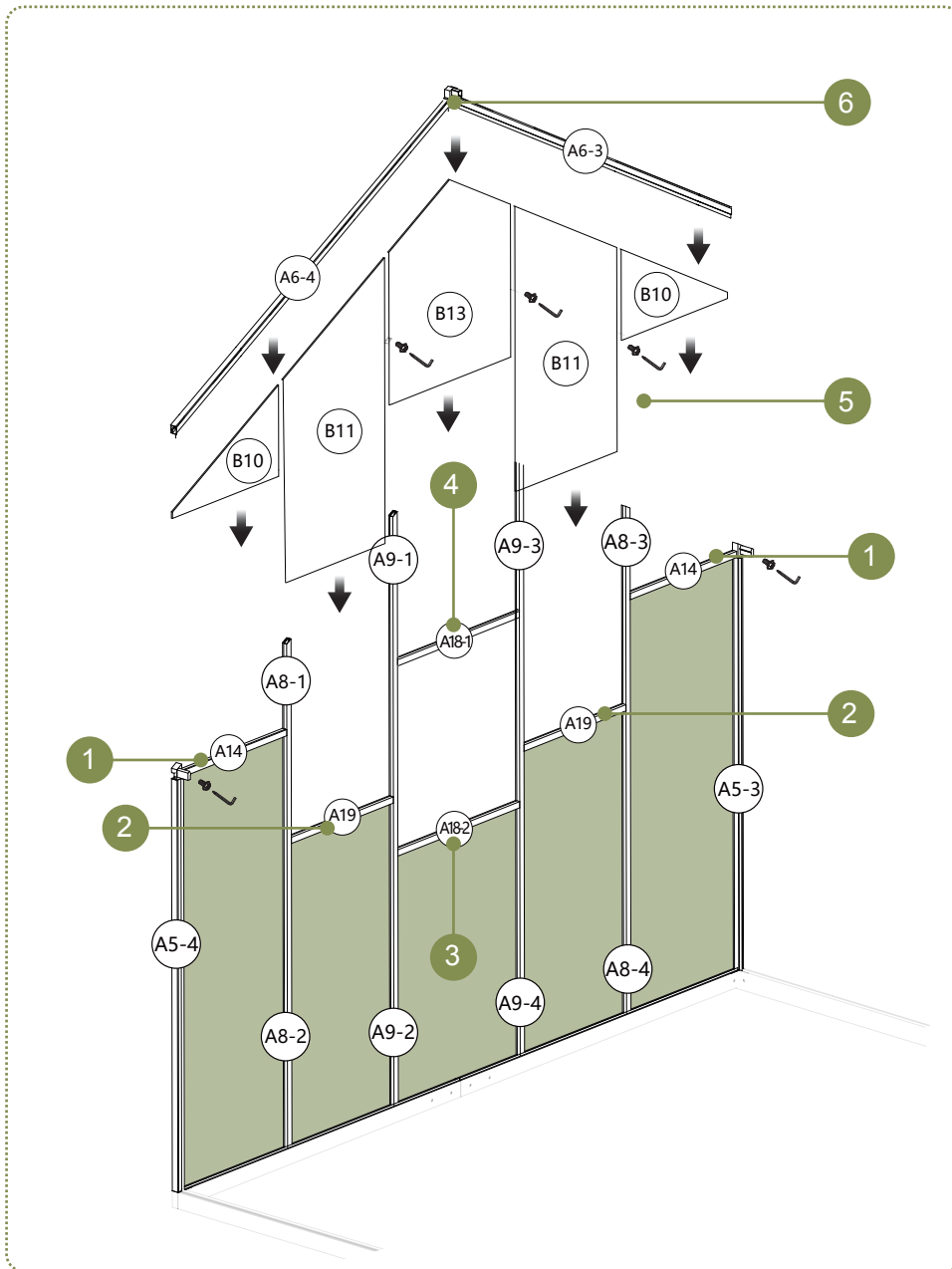
x1

8 B12

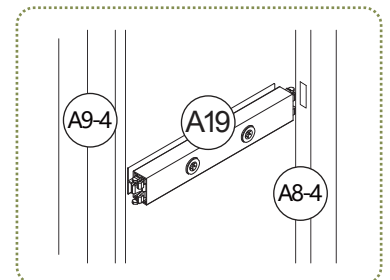


x1

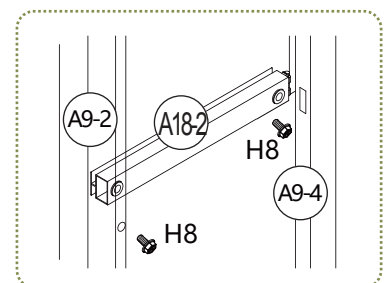
STEP 7 Installation of the Rear Panels



1. After connect A14 to H2-1, fix it with H18 and H8, do not tighten H18 and H8 tightly



2. Insert both ends of A19 into the hole slots, and insert the up per edge of the lower plate into the A19 slot. Tighten the lock

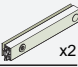
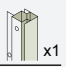


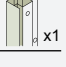

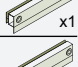

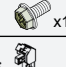


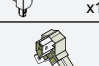
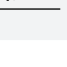



3. First install A18-2 and fix its two ends with H8(The extension baffle of A18-2 is facing downwards)

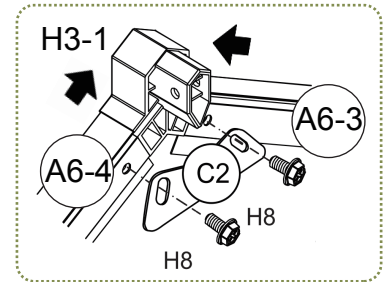
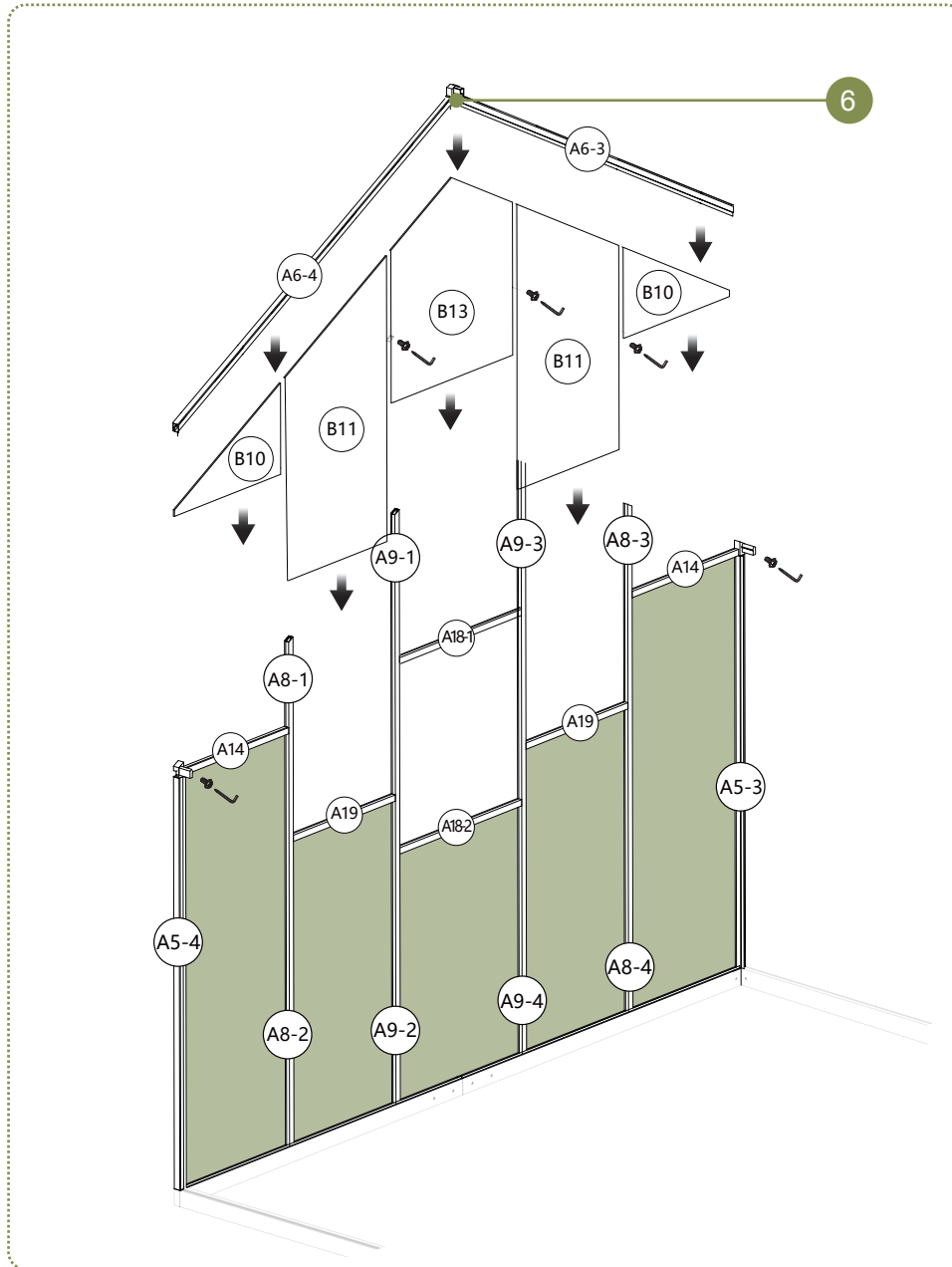
4. Then fix both ends of A18-1 with H8(The extension baffle of A18-1 is facing upwards)

5. Accurately insert B10, B11, and B13 into the slot for installation in sequence

List:

1 A14	 x2	5 A6-3	 x1	9 B13	 x1
2 A19	 x2	6 A6-4	 x1	10 C2	 x1
3 A18-1	 x1	7 B10	 x2	11 H8 M6x12	 x12
4 A18-2	 x1	8 B11	 x2	12 H2-1	 x1
		13 H18 M6x20	 x2	14 H3-1	 x1

STEP 8 Installation of the Rear Herringbone Beams

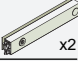
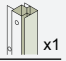



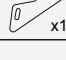
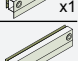

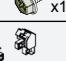

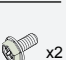
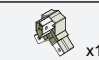
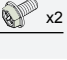
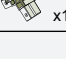


6. Insert A6-3 and A6-4 into H3-1 and connect C2 with them using H8

C2 installation video

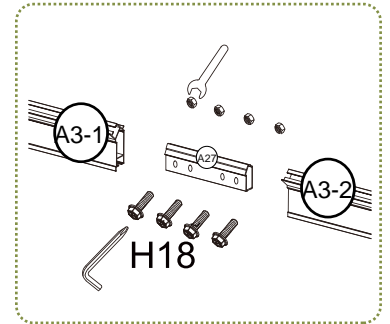
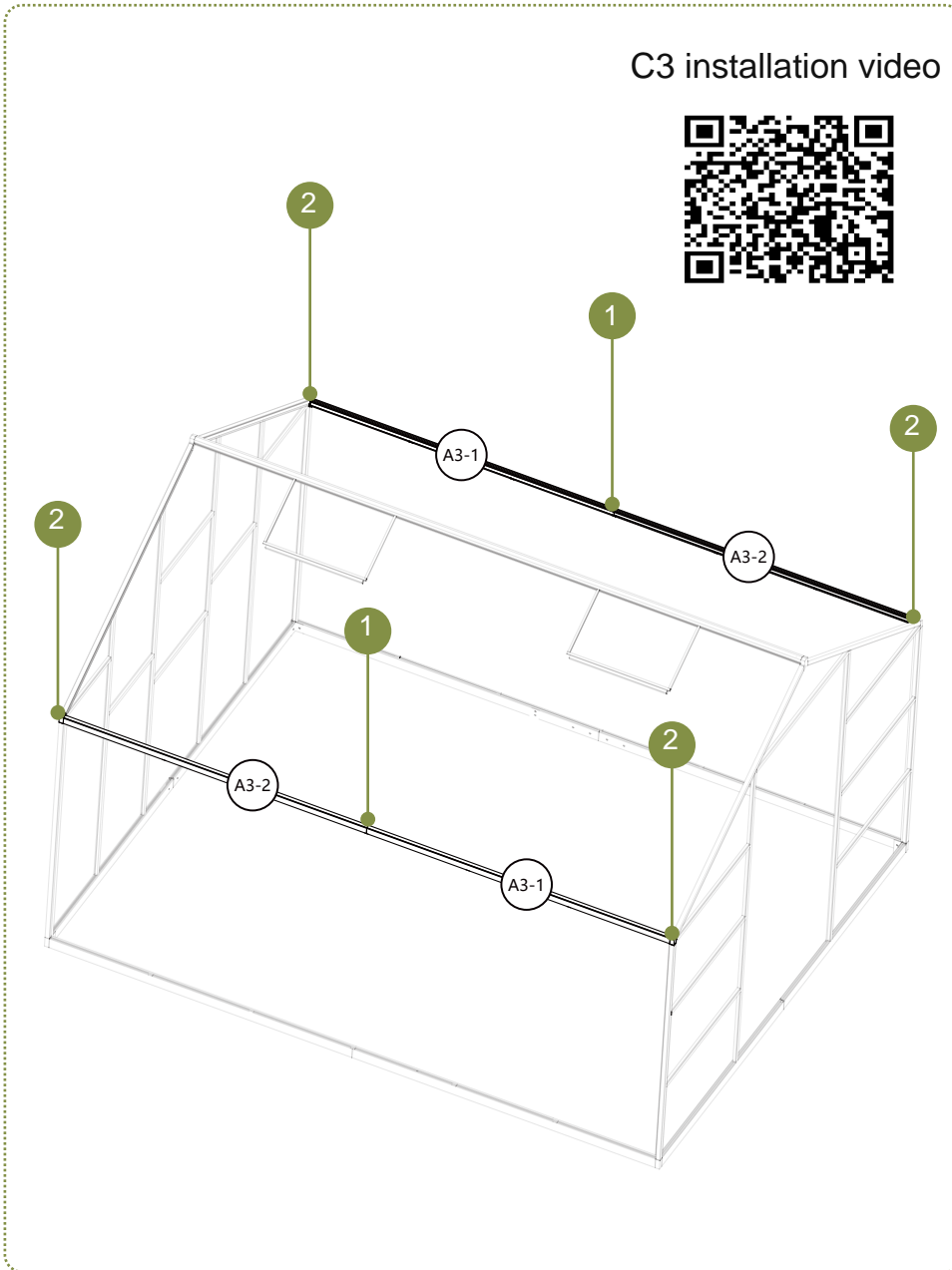
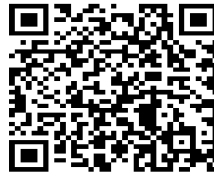


List:

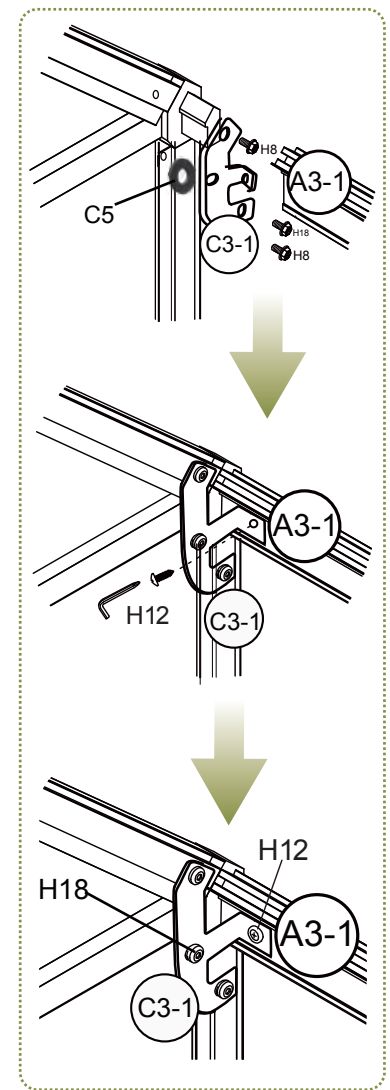
- | | | | | | |
|----------------|--|---------------------|--|--------------------|--|
| 1 A14 |  x2 | 5 A6-3 |  x1 | 9 B13 |  x1 |
| 2 A19 |  x2 | 6 A6-4 |  x1 | 10 C2 |  x1 |
| 3 A18-1 |  x1 | 7 B10 |  x2 | 11 H8 M6x12 |  x12 |
| 4 A18-2 |  x1 | 8 B11 |  x2 | 12 H2-1 |  x1 |
| | | 13 H18 M6x20 |  x2 | 14 H3-1 |  x1 |

STEP 9 Installation of the C3-1 Corner Guard

C3 installation video

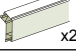

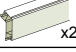

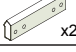
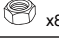




1. Connect A3-1 and A3-2 with A27, then insert H18 and H9 into the holes and tighten them



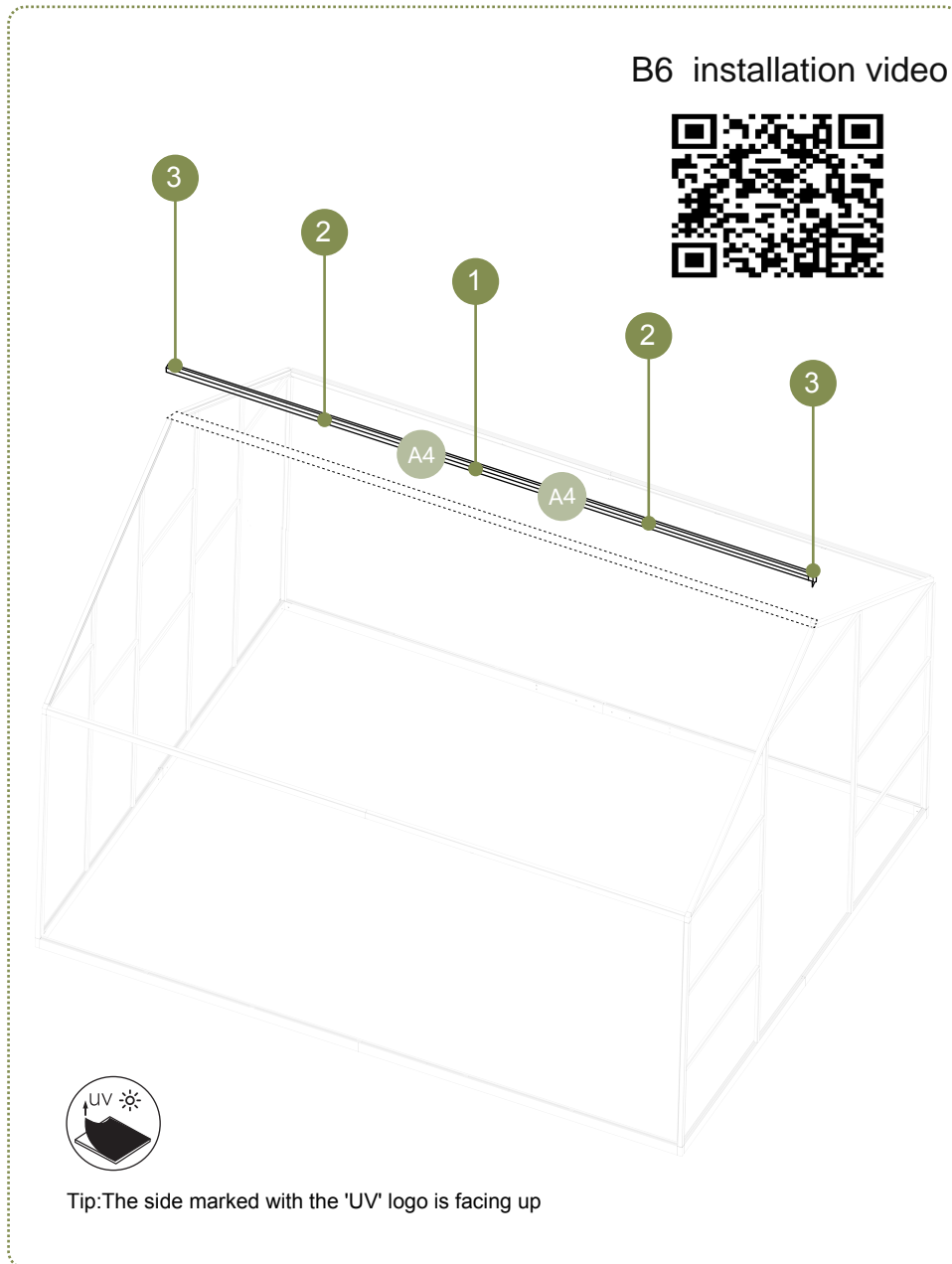
2. To install C3-1, loosen the H8 and H18 screws that were previously fixed

List:

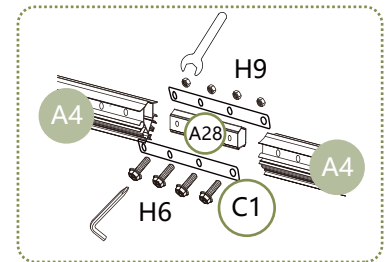
- | | | | |
|---------|--|---------------|--|
| 1. A3-1 |  x2 | 5. C5 |  x4 |
| 2. A3-2 |  x2 | 6. H18 M6x20 |  x8 |
| 3. A27 |  x2 | 7. H9 M6 |  x8 |
| 4. C3-1 |  x2 | 8. H12 St5x10 |  x4 |

STEP 10 Installation of the Roof Beam and B6

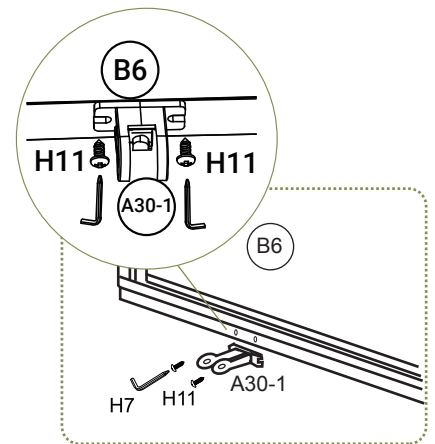
B6 installation video



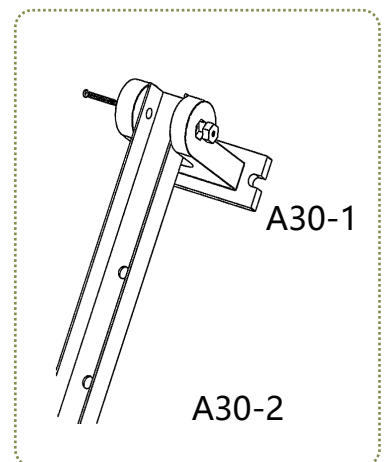
Tip: The side marked with the 'UV' logo is facing up



1. The first step is to connect two A4.

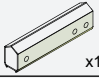
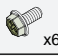


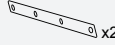





2. Attach the A30-1 to the sunroof as shown in the image above

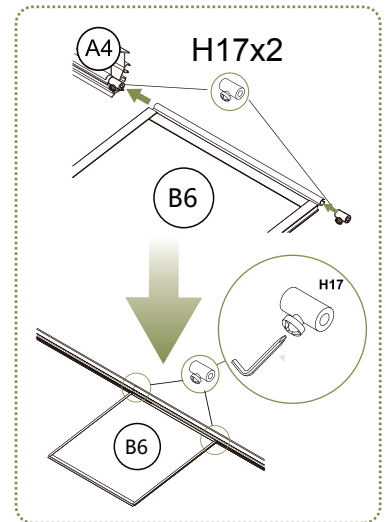
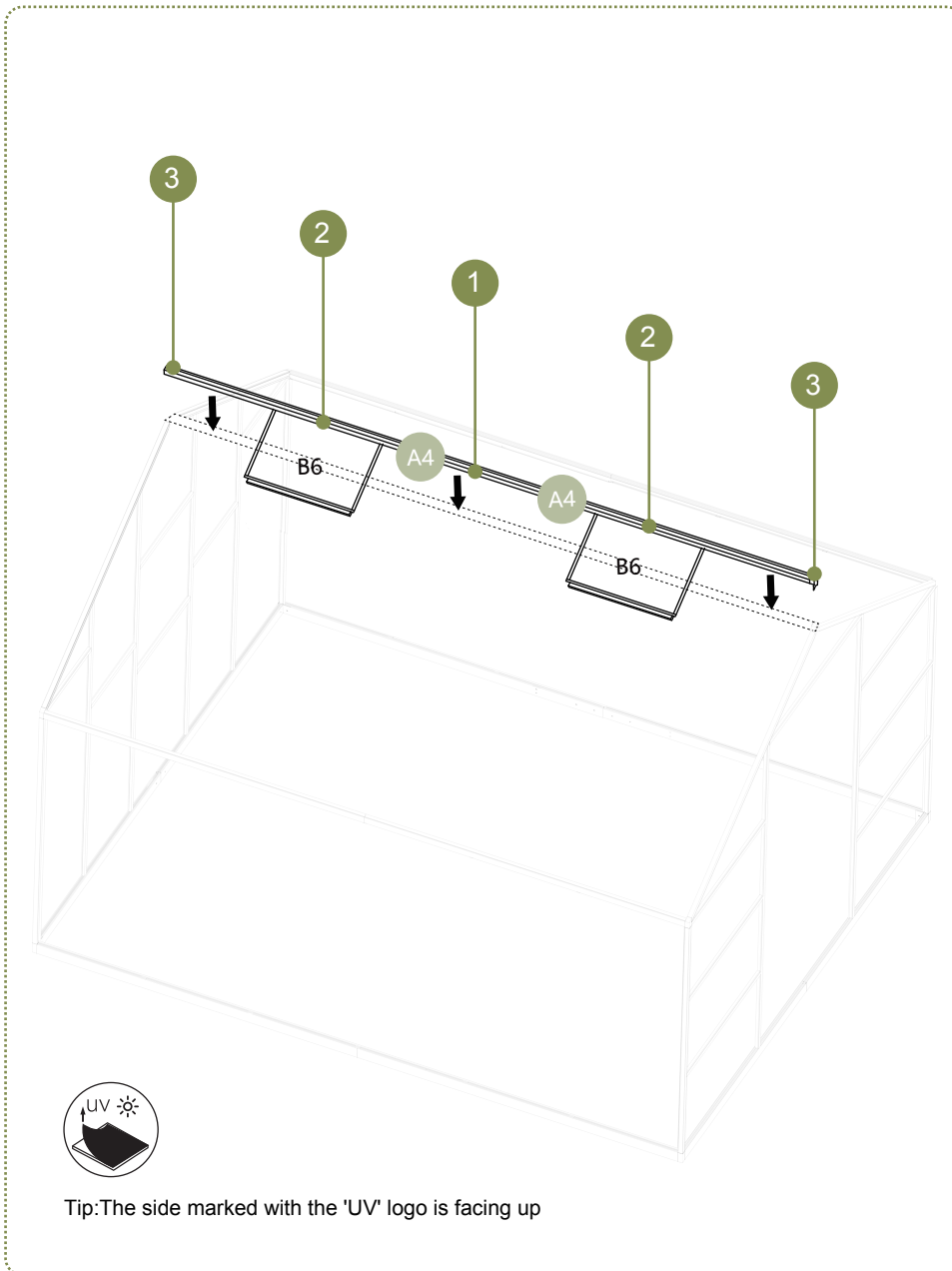


2. Install A30-2 onto the plastic part of A30-1, pay attention to the direction

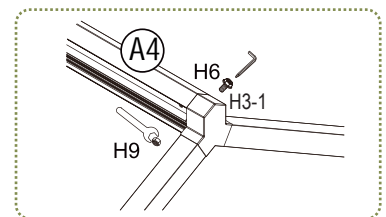
List:

- | | | | |
|--------------|--|------------|---|
| 1 A28 |  x1 | 5 H6 M6x30 |  x6 |
| 2 B6 |  x2 | 6 H9 M6 |  x6 |
| 3 C1 |  x2 | 7 A30-1 |  x2 |
| 4 H11 ST4X10 |  x4 | 8 A30-2 |  x2 |

STEP 10 Installation of the Roof Beam and B6



2. Assemble the H17 fixing and the B6 window together

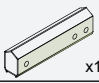



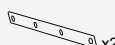
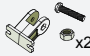

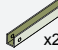


3. Insert A4 into the plastic connector H3-1, screw the H6 screw into the screw hole, and tighten the screw

B6 installation video



List:

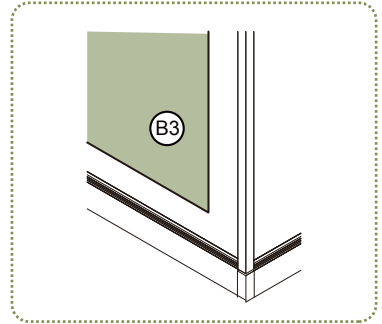
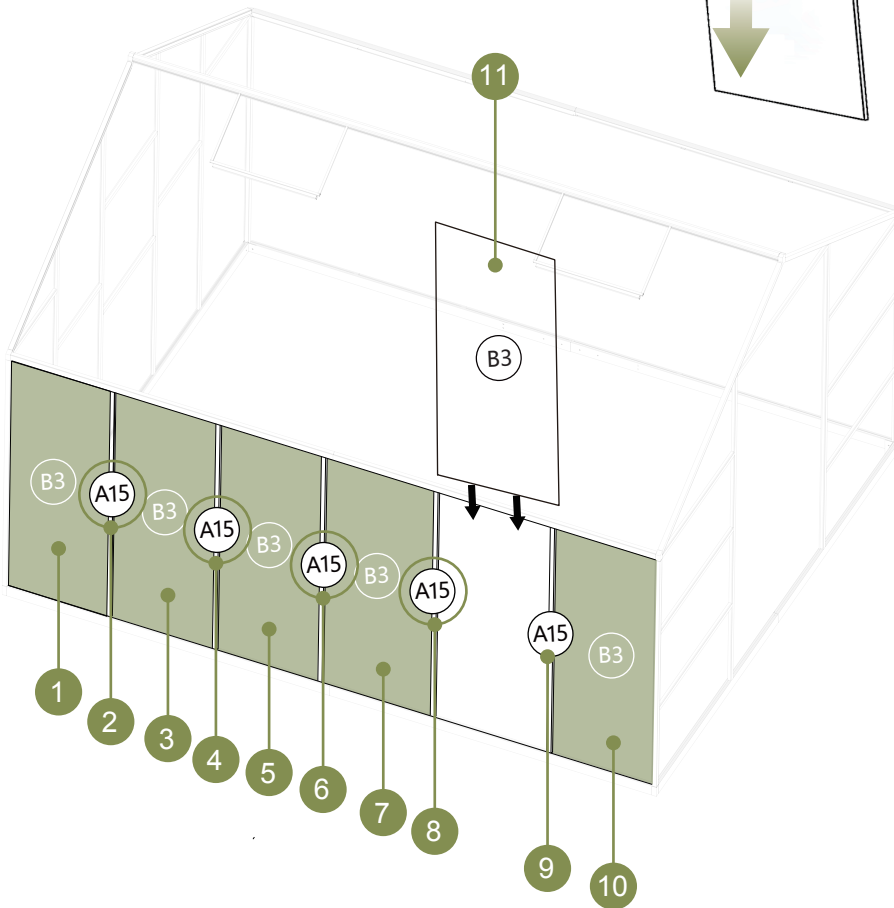
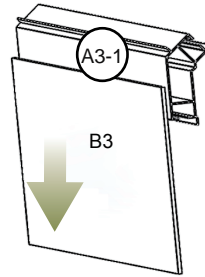
1 A28	 x1	5 H6 M6x30	 x6
2 B6	 x2	6 H9 M6	 x6
3 C1	 x2	7 A30-1	 x2
4 H17	 x4	8 A30-2	 x2

STEP 11 Installation of the Side Panels

side panel installation video

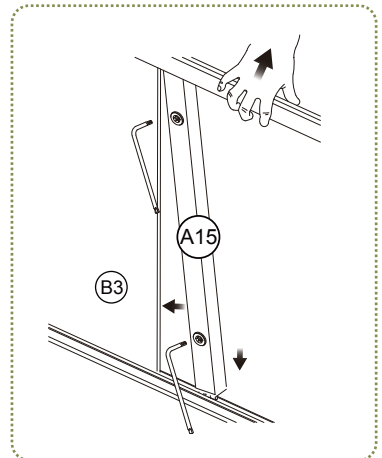


Tip: The installation position of PC board B3 is shown in the figure (outside of the aluminum profile)



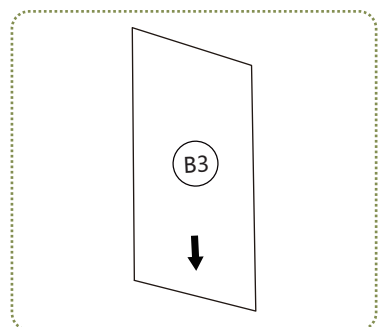
1. 3. 5. 7. 10.

The B3 installation is shown in the picture above



2. 4. 6. 8. 9.

Install a B3 first, and then install an A15, and the installation steps of the A15 are shown in the figure above



11. The panel marked 11 is installed last, and the installation method is inserted from top to bottom, as shown in the image above

List:

1 A15



x5

2 B3

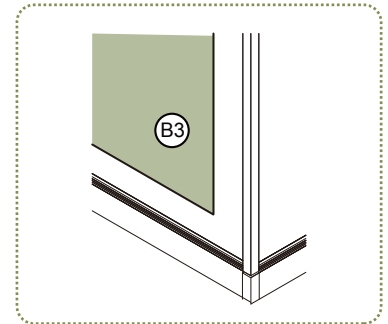
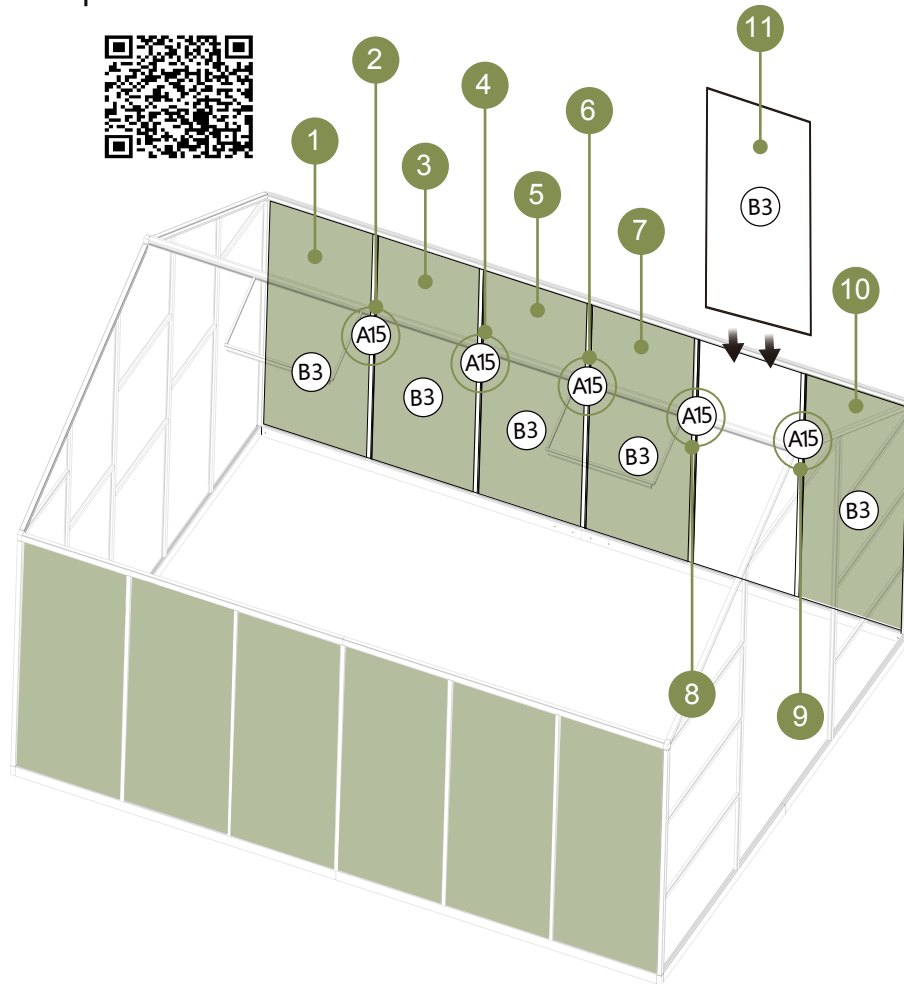


x6

STEP 11 Installation of the Side Panels

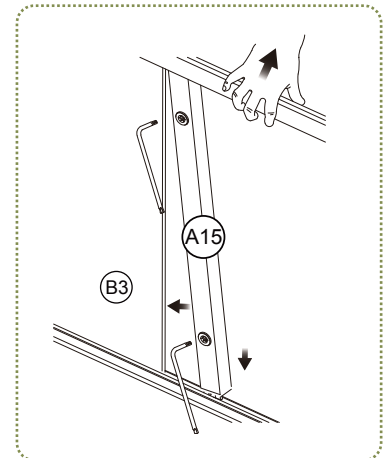
The reverse side is the same assembly order

side panel installation video



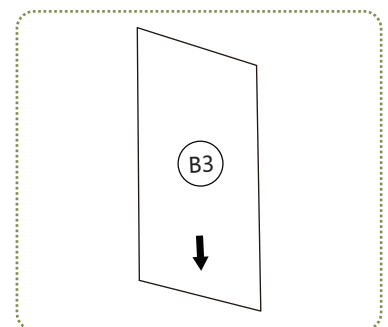
1. 3. 5. 7. 10.

The B3 installation is shown in the picture above



2. 4. 6. 8. 9.

Install a B3 first, and then install an A15, and the installation steps of the A15 are shown in the figure above



11. The panel marked 11 is installed last, and the installation method is inserted from top to bottom, as shown in the image above

List:

1 A15



x5

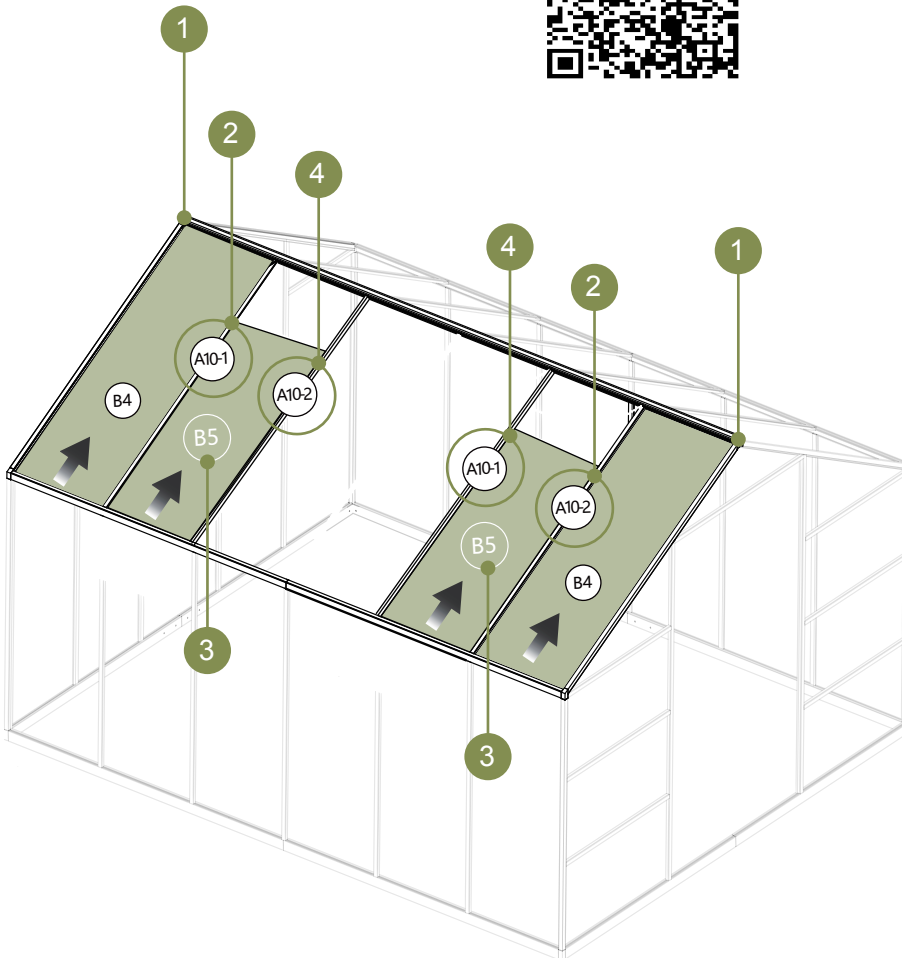
2 B3



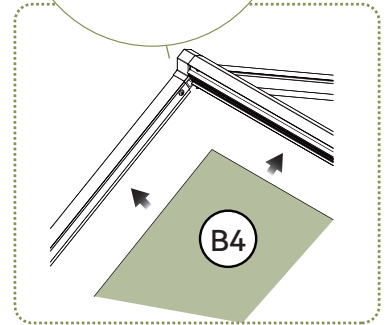
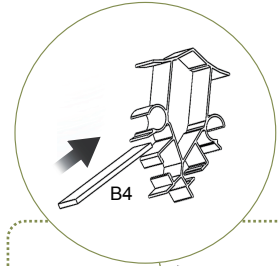
x6

STEP 12 Installation of the Top Panels

top panel installation video

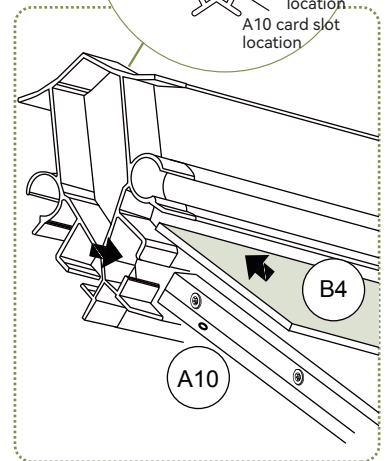
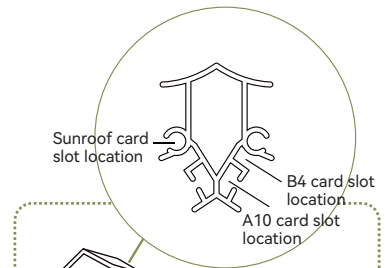


Tip: Note the orientation of A10-1 and A10-2



1. The position of the top beam slot of the PC board B4 is shown in the figure

3. The B5 installation is shown in the figure



2. 4. First, one end of the A10 is stuck into the slot, the other end is placed in the lower slot, and then moved to the B4 sunshine board, finally the sunshine board is stuck into the slot and tighten the lock.

List:

1 A10-1



5 H14



2 A10-2



3 B4



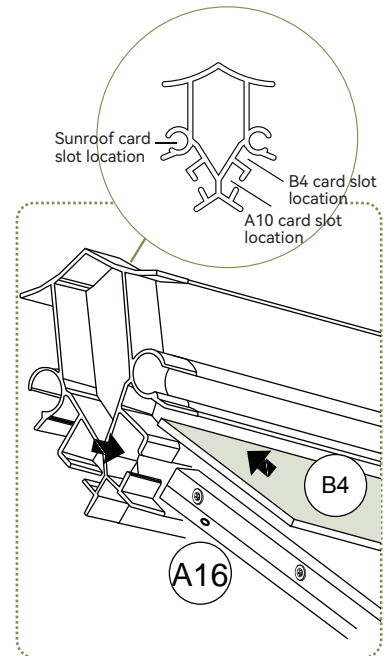
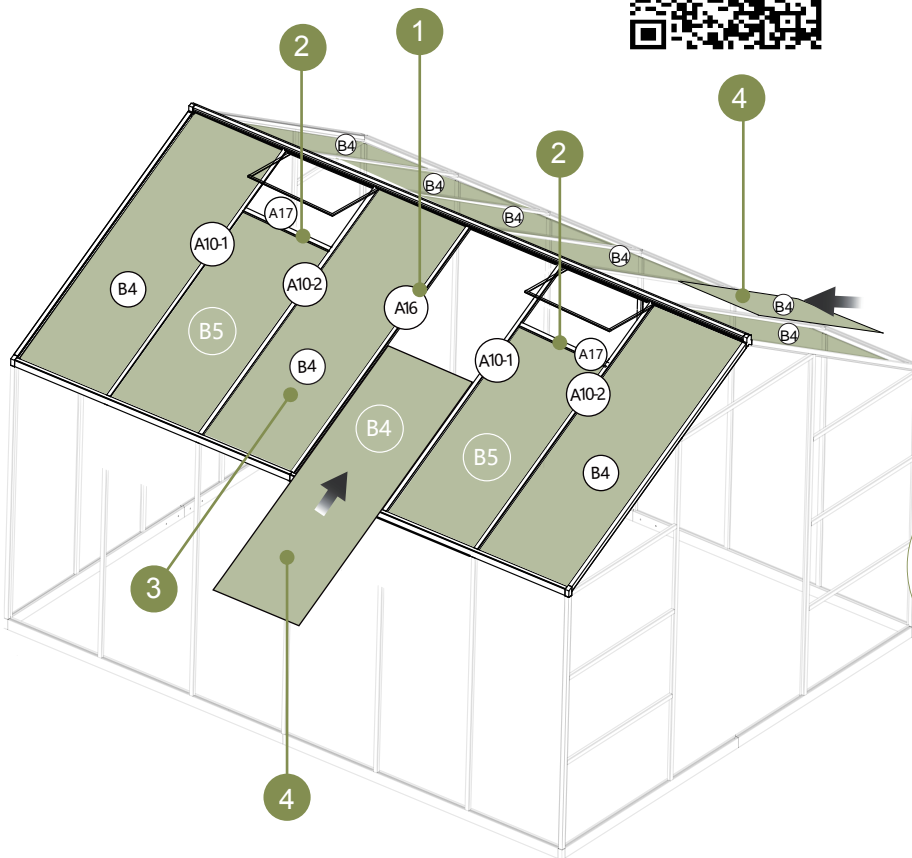
4 B5



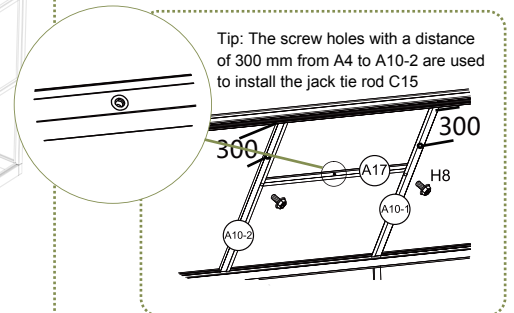
STEP 12 Installation of the Top Panels

The reverse B4 installation is the same as the front B4 installation.

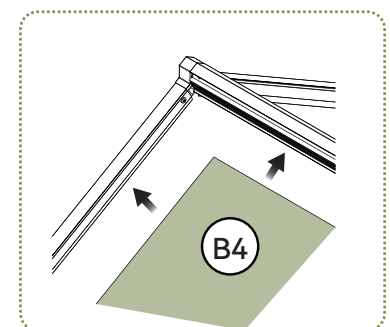
top panel installation video



1. The installation method is the same as that of A10

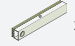




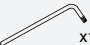
2. Align the two ends of A17 with the holes on A10 and fix them with H8 (pay attention to the A17 rivet holes)



3. 4. The position of the top beam slot of the PC board B4 is shown in the figure

List:

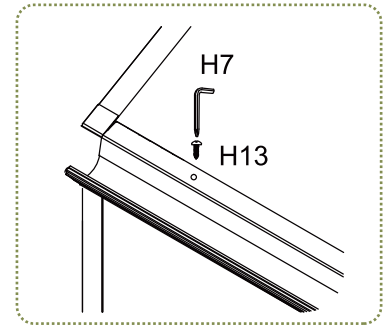
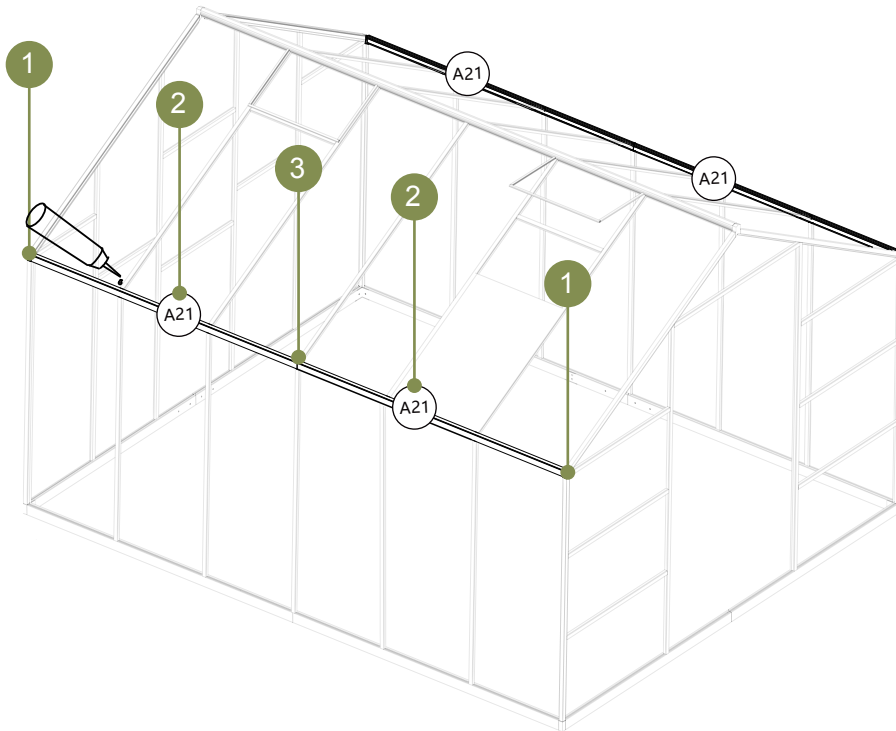
- 1. A16  x6
- 2. A17  x2
- 3. B4  x4
- 4. H8  x4

- 5. H7  x1
- 6. H14  x1

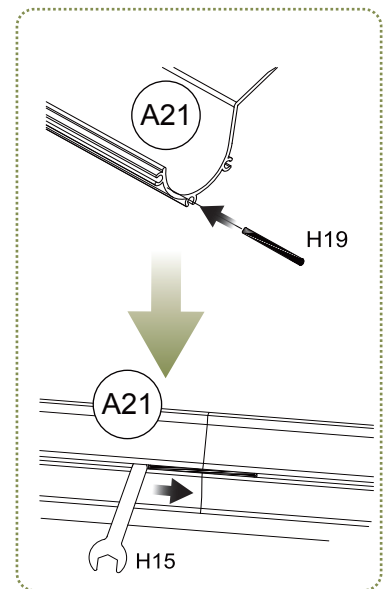
STEP 13 Installation of the Sink

The front and back are assembled in the same way

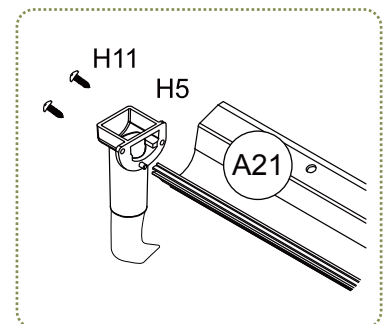
It is recommended to apply glass glue to the edge of the mounted PC board to provide waterproofing and enhance overall stability.



1. Assembly of gutters A21

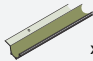

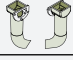
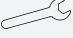

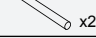



2. Insert H19 along the slot of A21, and use H15 to push H19 to the joint of the two A21s to connect them

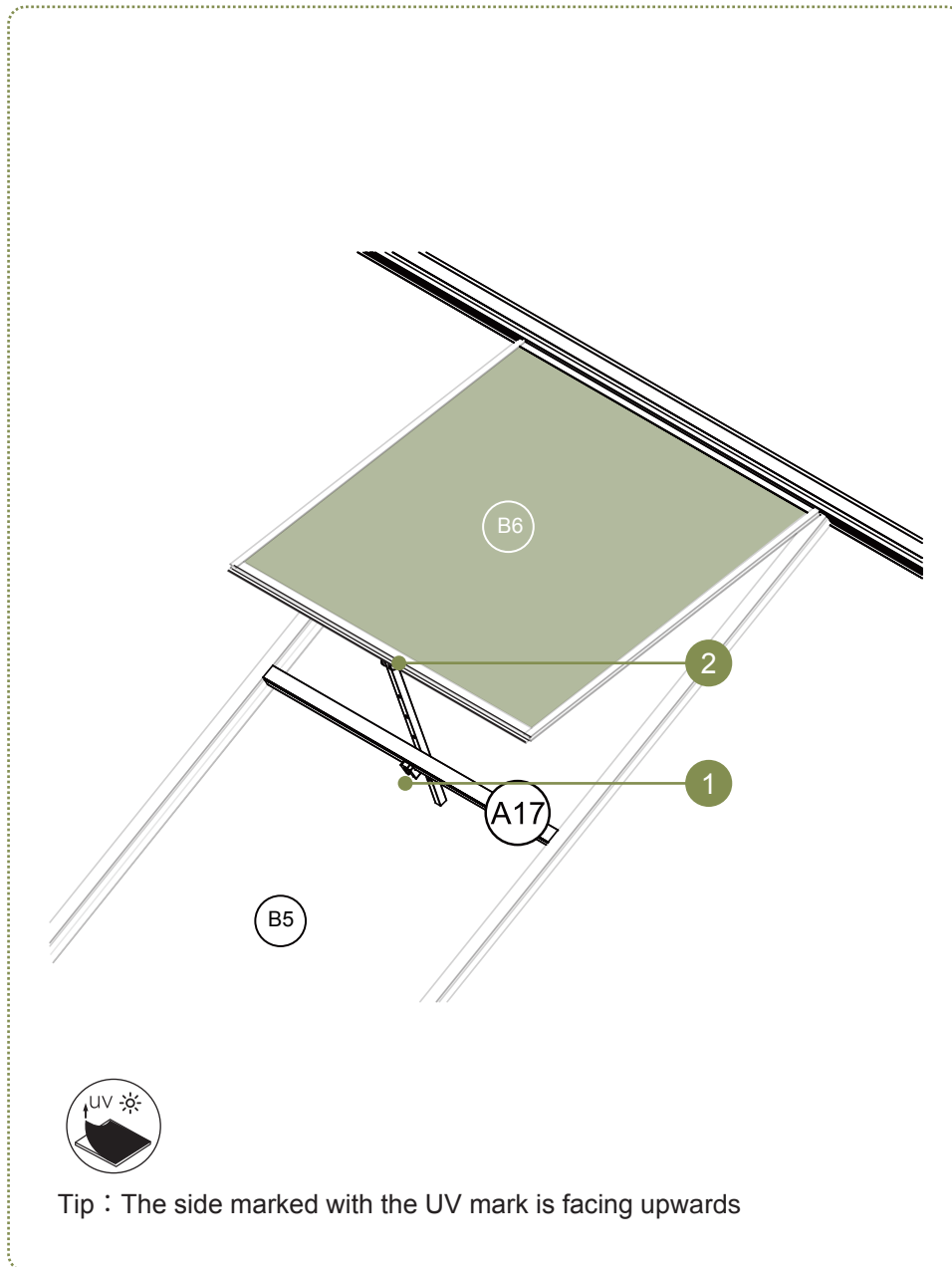


3. Align the holes of H5 and A21 and fix them with H11

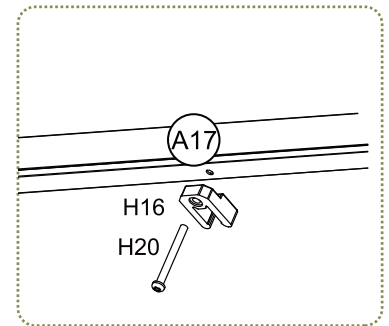
List:

1 A21	 x4	5 H13 ST5X16	 x16
2 H5	 x2	6 H15	
3 H7		7 H19	 x2
4 H11 ST4X10	 x8		

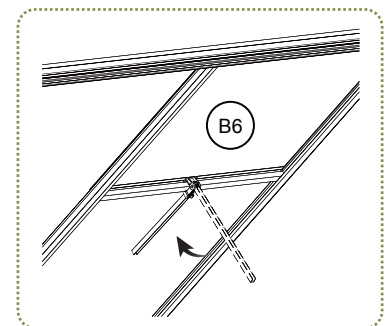
STEP 14 Installation of Sunroofs



Tip : The side marked with the UV mark is facing upwards



1. Install H16 onto A17 and secure with H20



2. Adjust the sunroof fixing rod to the center point of the buckle

List:

1. H16



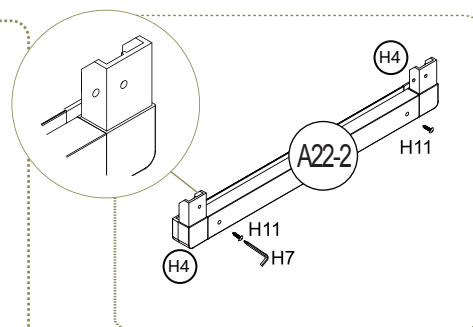
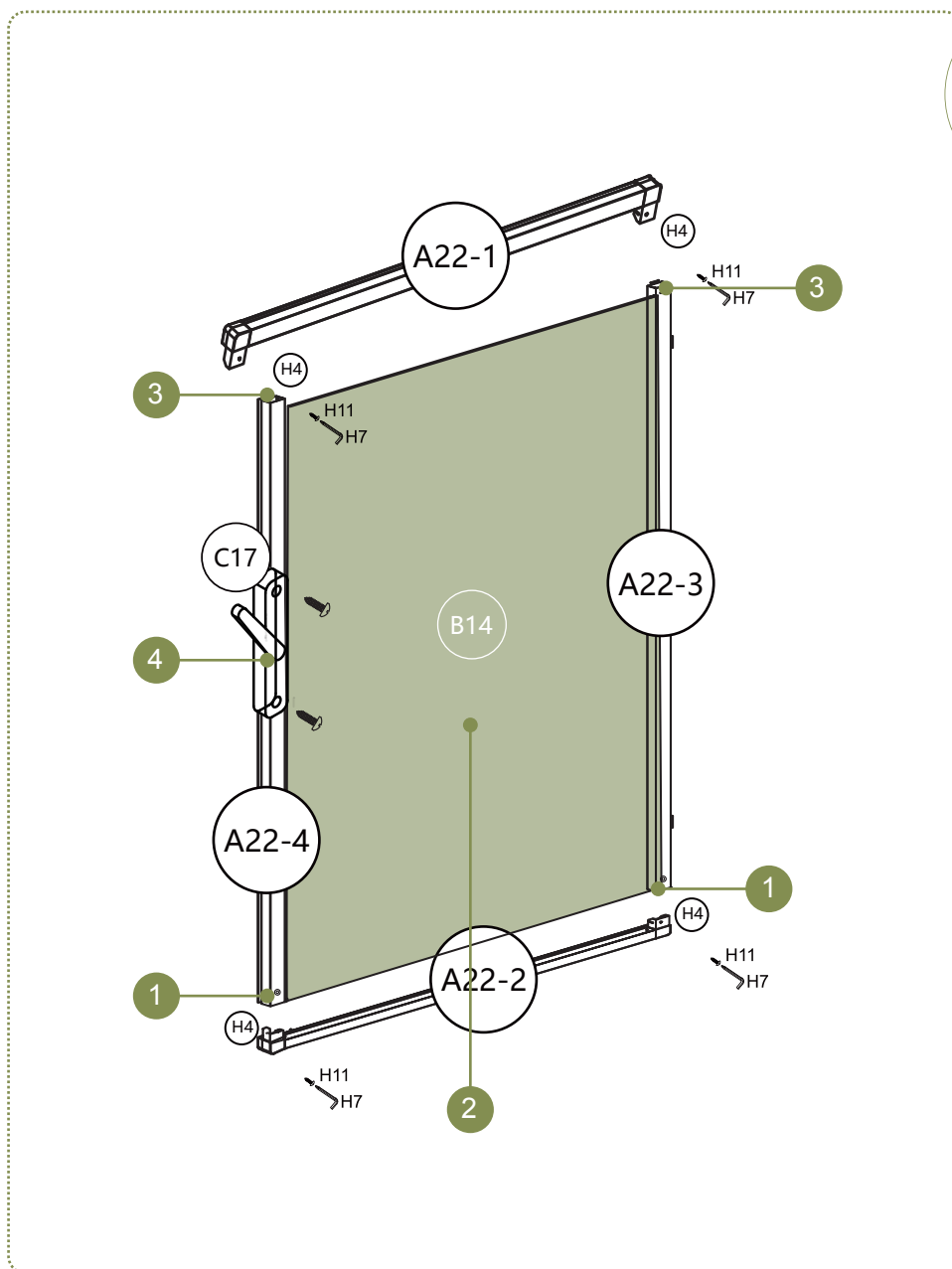
x2

2. H20 M4x38



x2

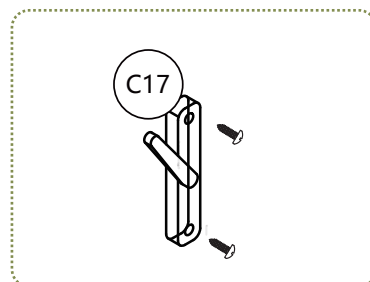
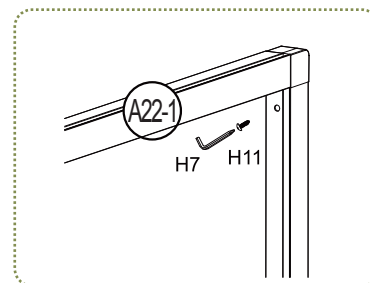
STEP 15 Installation of the Rear Window



1. First, install H4 onto A22-1 and A22-2 (pay attention to the orientation of H4), fix it with H11, insert A22-3 and A22-4 into both ends of A22-2

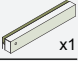





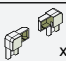


2. Then place B14 into the frame slot

3. Finally fix A22-1 with H11 at the upper end of A22-3 and A22-4

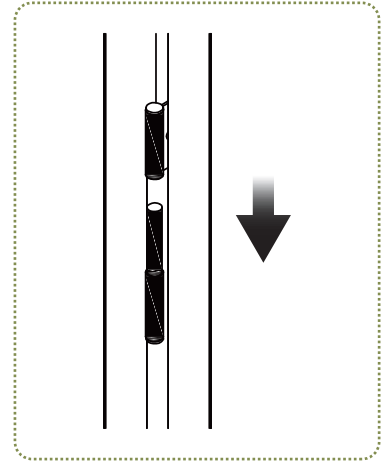
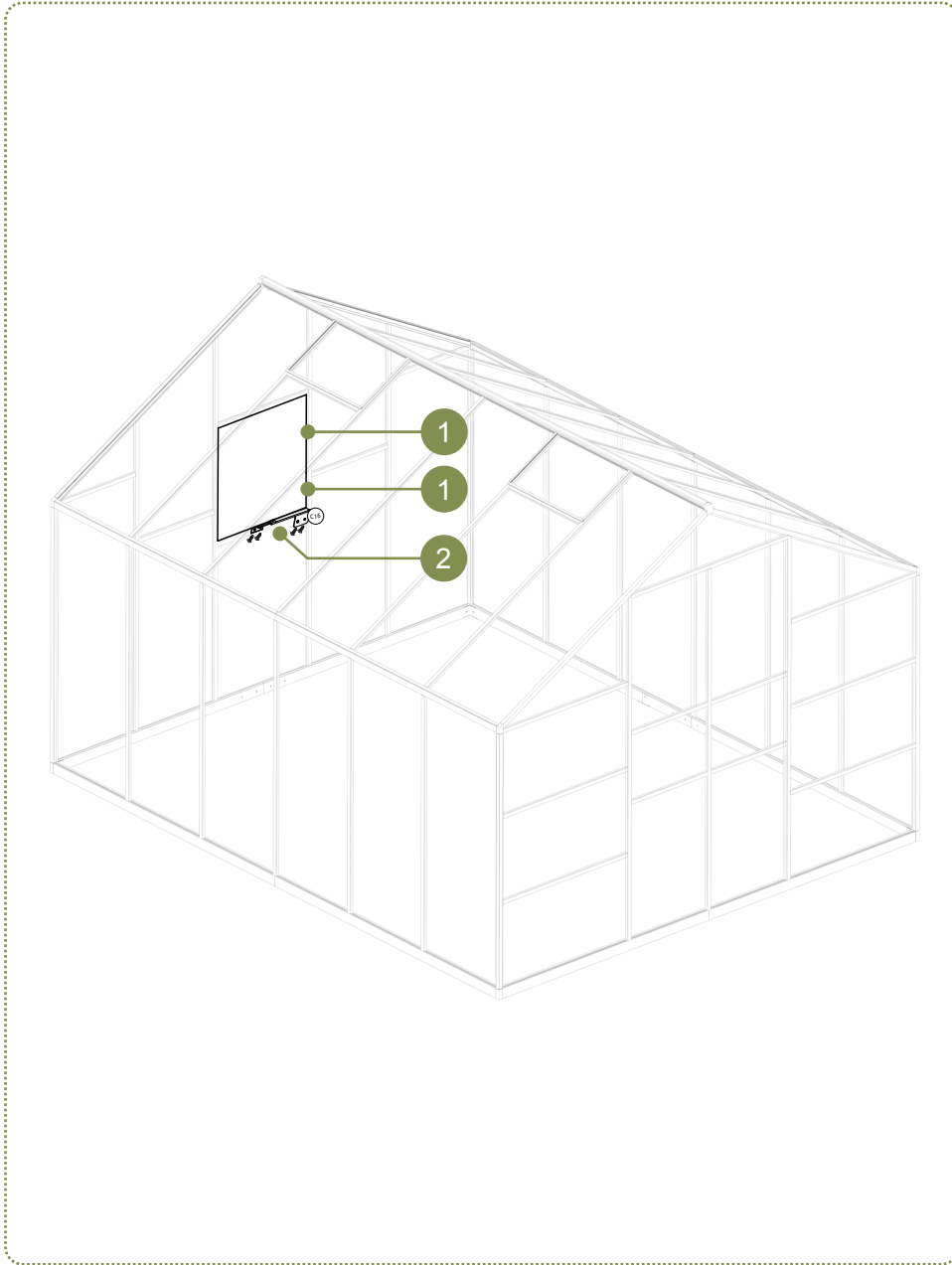


4. The C17 comes with all required mounting hardware.

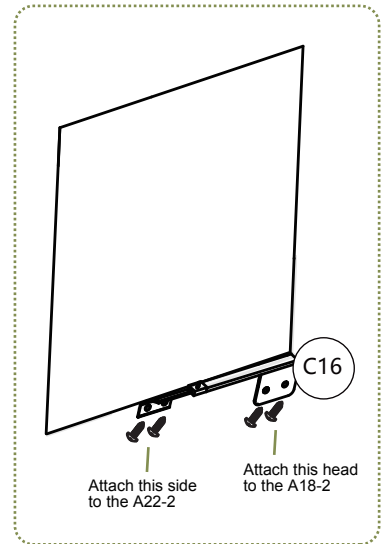
List:

1 A22-1	 x1	5 B14	 x1	9 H11 ST4X10	 x8
2 A22-2	 x1	6 C17	 x1		
3 A22-3	 x1	7 H4	 x2		
4 A22-4	 x1	8 H7	 x1		

STEP 15 Installation of the Rear Window



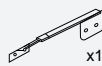
1. Insert the rear window into the hinge from top to bottom (note: the rear window must be in the open position when inserting)



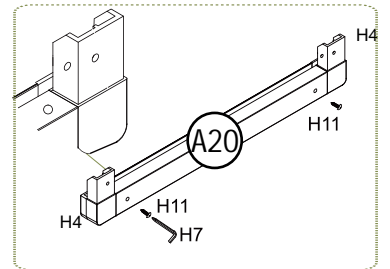
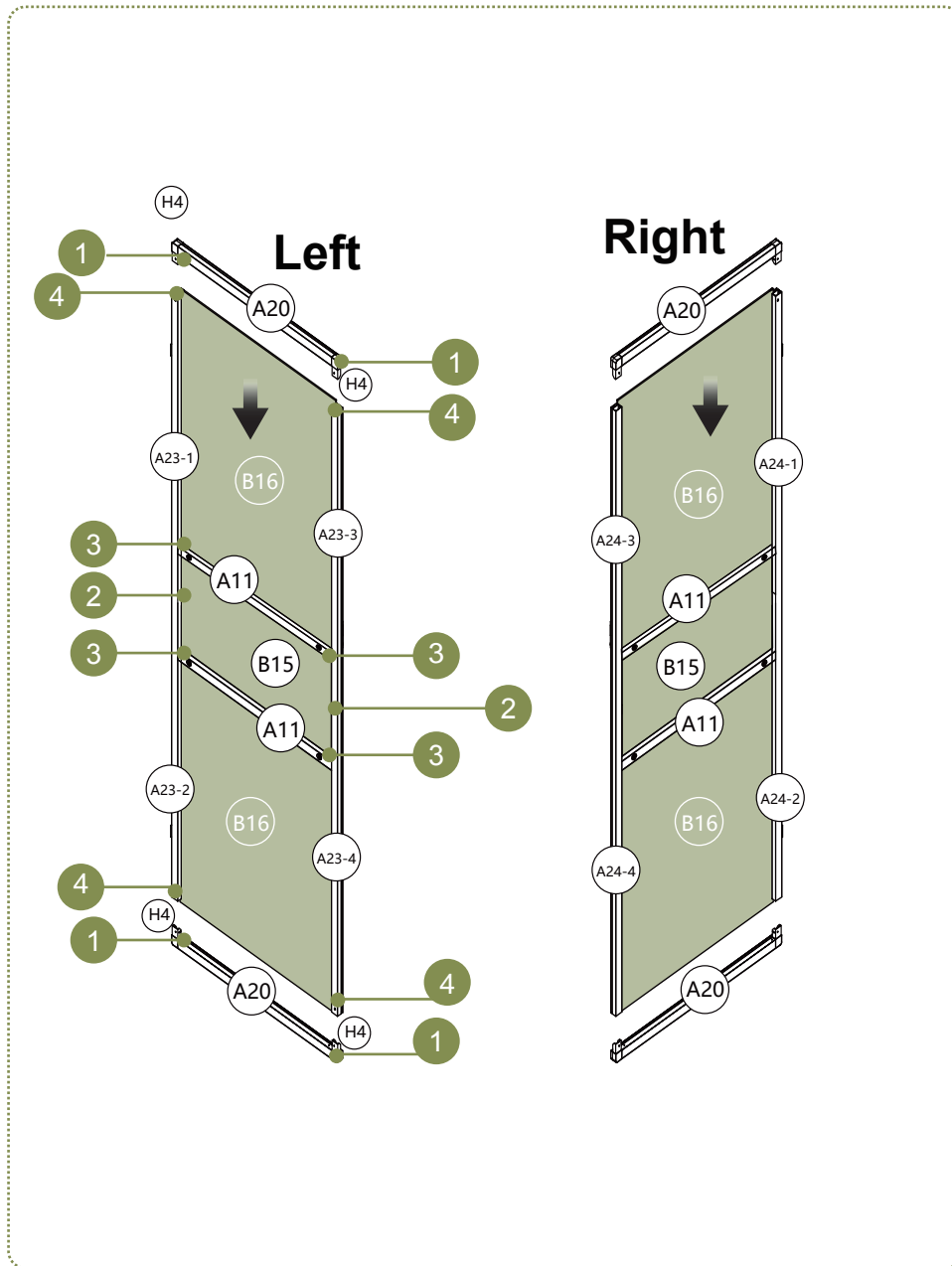
2. This step is used to install the window in the back door the C16 comes with all required mounting hardware.

List:

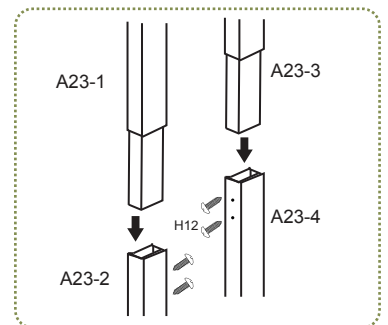
1 C16



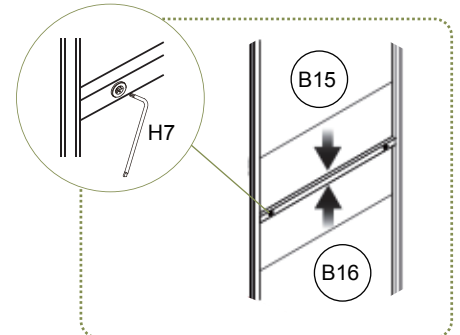
STEP 16 Installation of the Door Frame



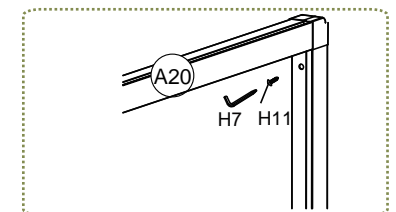
1. First, install H4 onto A20 and secure it with H11



2. Connect A23-1 to A23-2, A23-3 to A23-4, and secure with H12



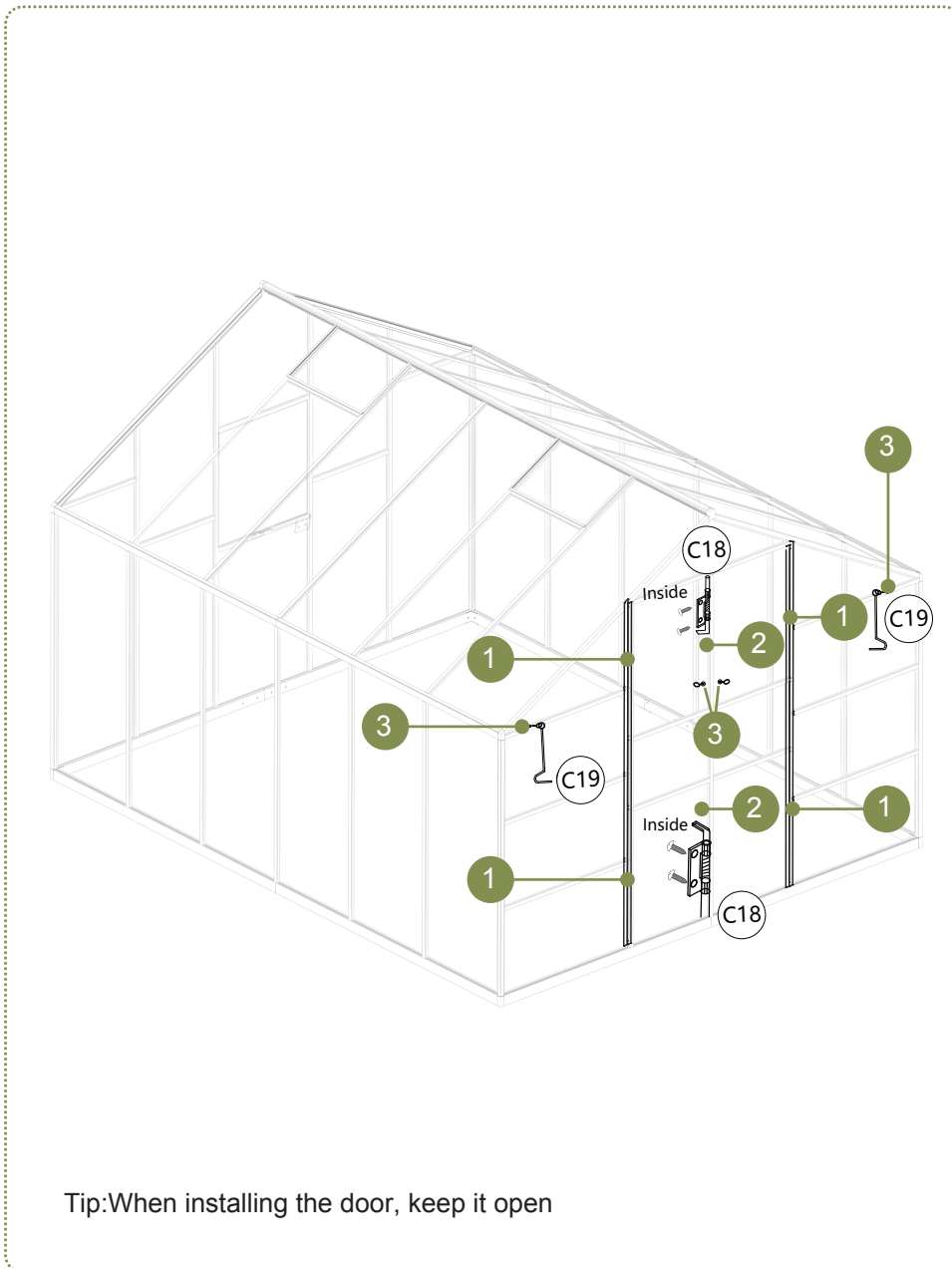
3. Fix one A11 onto the slot of A23 and lock it, then install B15, then install another A11, and finally insert B16



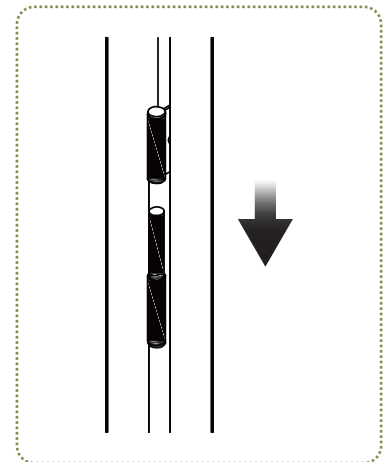
4. Tighten screw H11

- List:**
- | | | |
|------------|------------|-------------------|
| 1 A11 x4 | 5 A23-3 x1 | 9 H4 x4 |
| 2 A20 x4 | 6 A23-4 x1 | 10 H11 St4x10 x16 |
| 3 A23-1 x2 | 7 B15 x2 | 11 H12 St5x10 x8 |
| 4 A23-2 x2 | 8 B16 x4 | 12 H7 |

STEP 17 Installation of Door Hinges

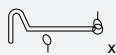



Tip: When installing the door, keep it open

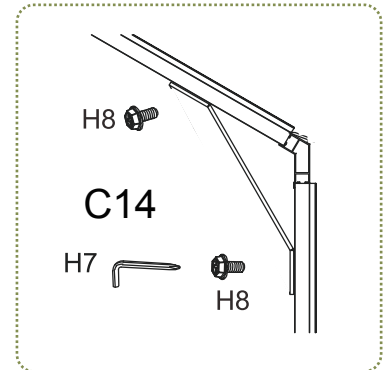
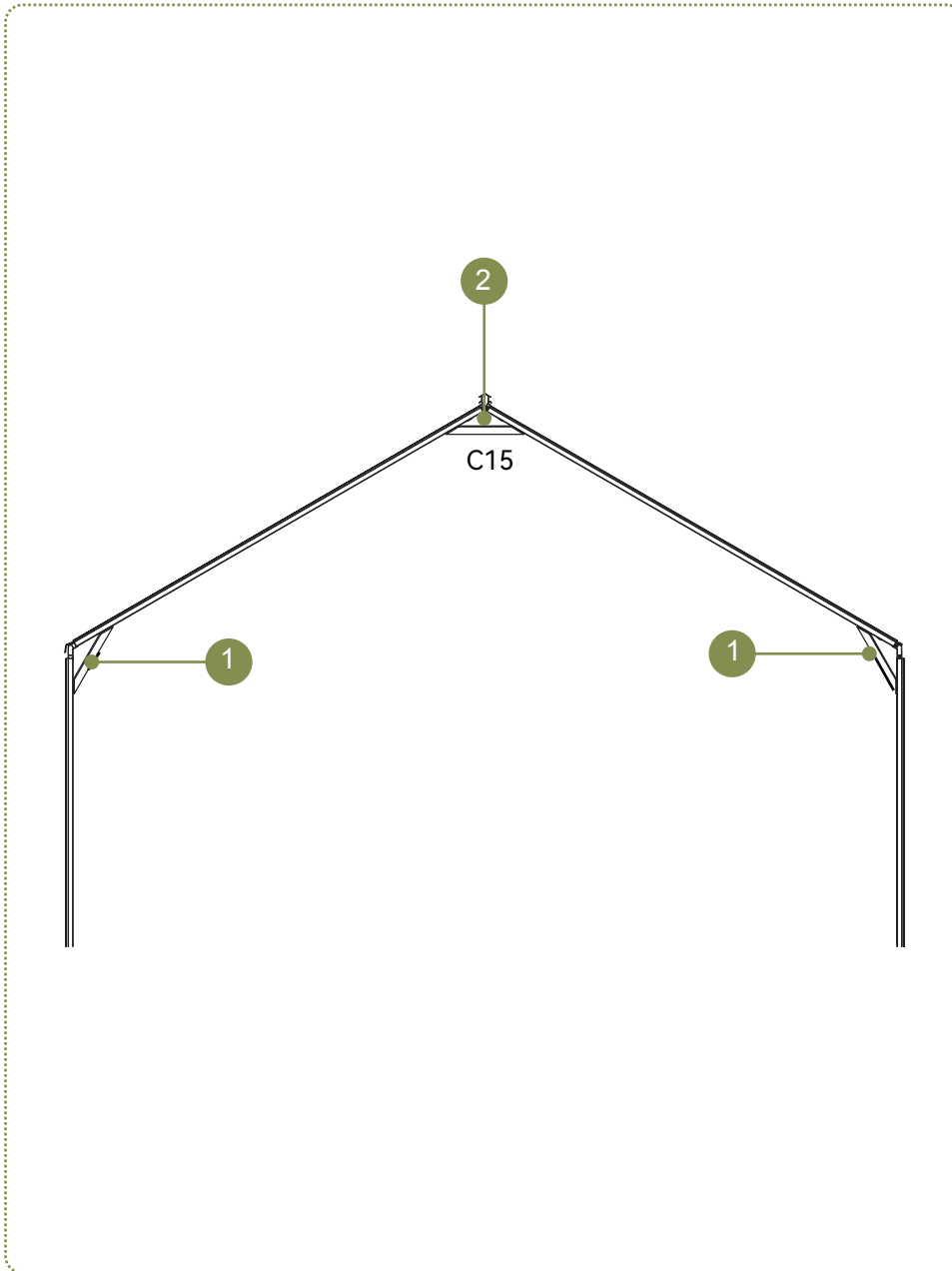


1. Step 1: Install the door to the door frame, the installation steps are shown in the picture above
2. The second step is to install the C18 from the inside of the door, and the installation diagram is shown in the figure (fixed with the screws that come with C18)
3. The third step is to insert C19 into the reserved hole (as shown in Figure 3 on the left)

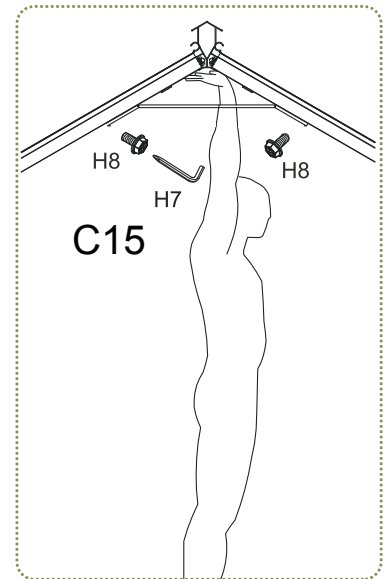
List:

- | | | | |
|---|------------|---|----|
| 1 | C18 |  | x1 |
| 2 | C19 |  | x2 |
| 3 | H12 St5x10 |  | x4 |

STEP 18 Installation of Top and Angular Support Rods

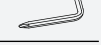


1. Install the C14 as shown in the figure and fix it by H8 (do not tighten the H8 screws for now).

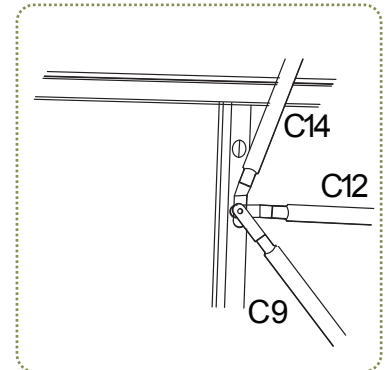
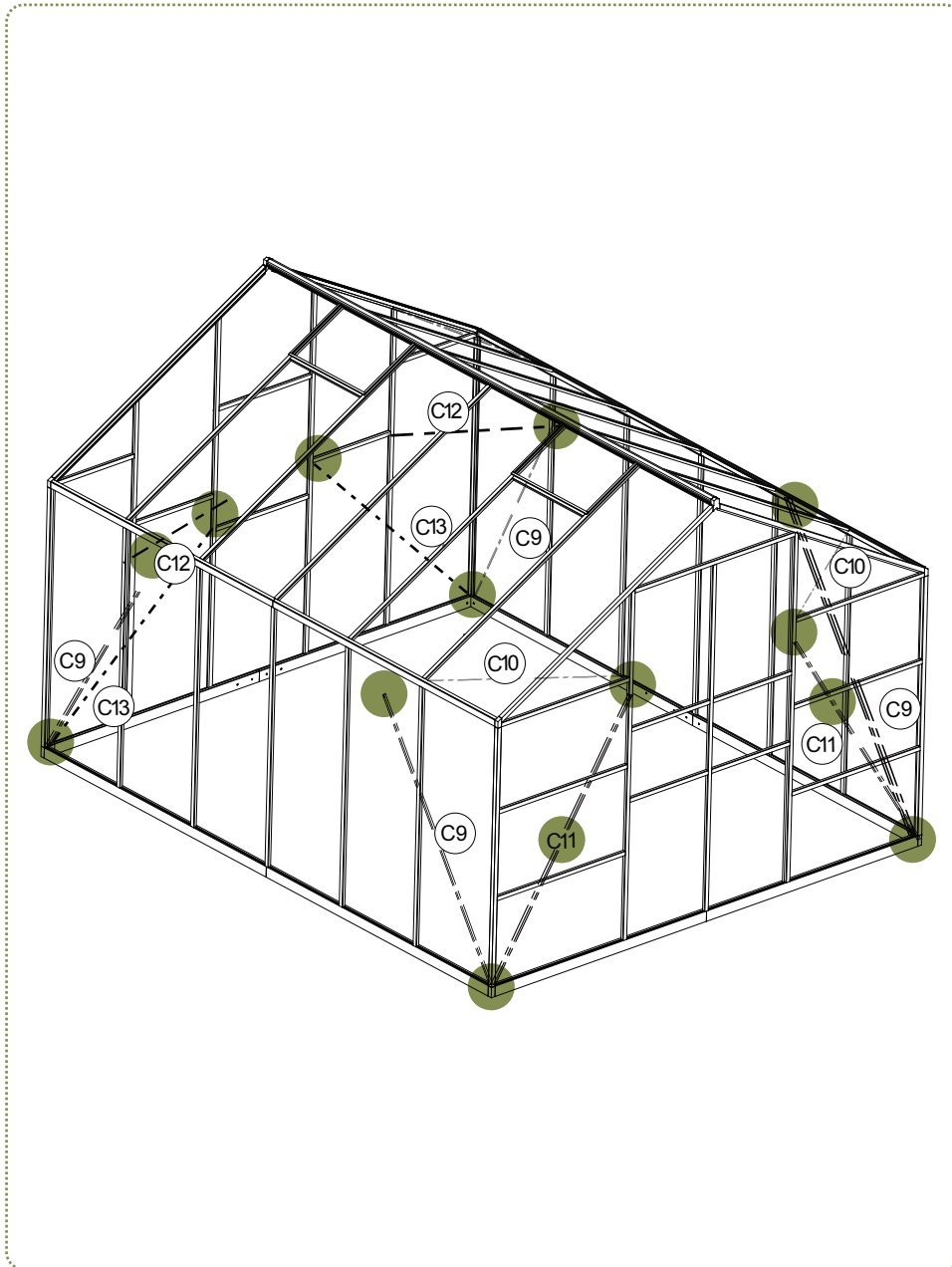


2. When installing C15, first use H8 to fix one end, then lift the roof up to align the holes, and then use H8 to fix the other end.

List:

- 1 C14  x10
- 2 C15  x5
- 3 H7 
- 4 H8 M6x12  x30

STEP 19 Installation of Triangular Support Rods





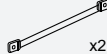
1. NOTE: The three-point connection of the support rod C9, C10 and C14 is fixed with the screws of H18;

The three-point connection of the support rod C9, C12 and C14 is fixed with the screws of H18;

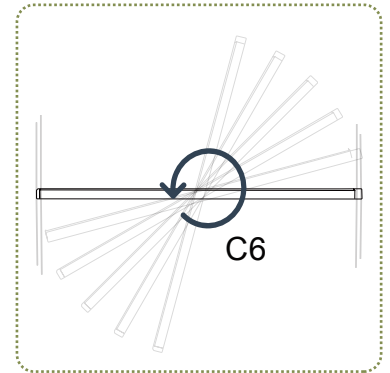
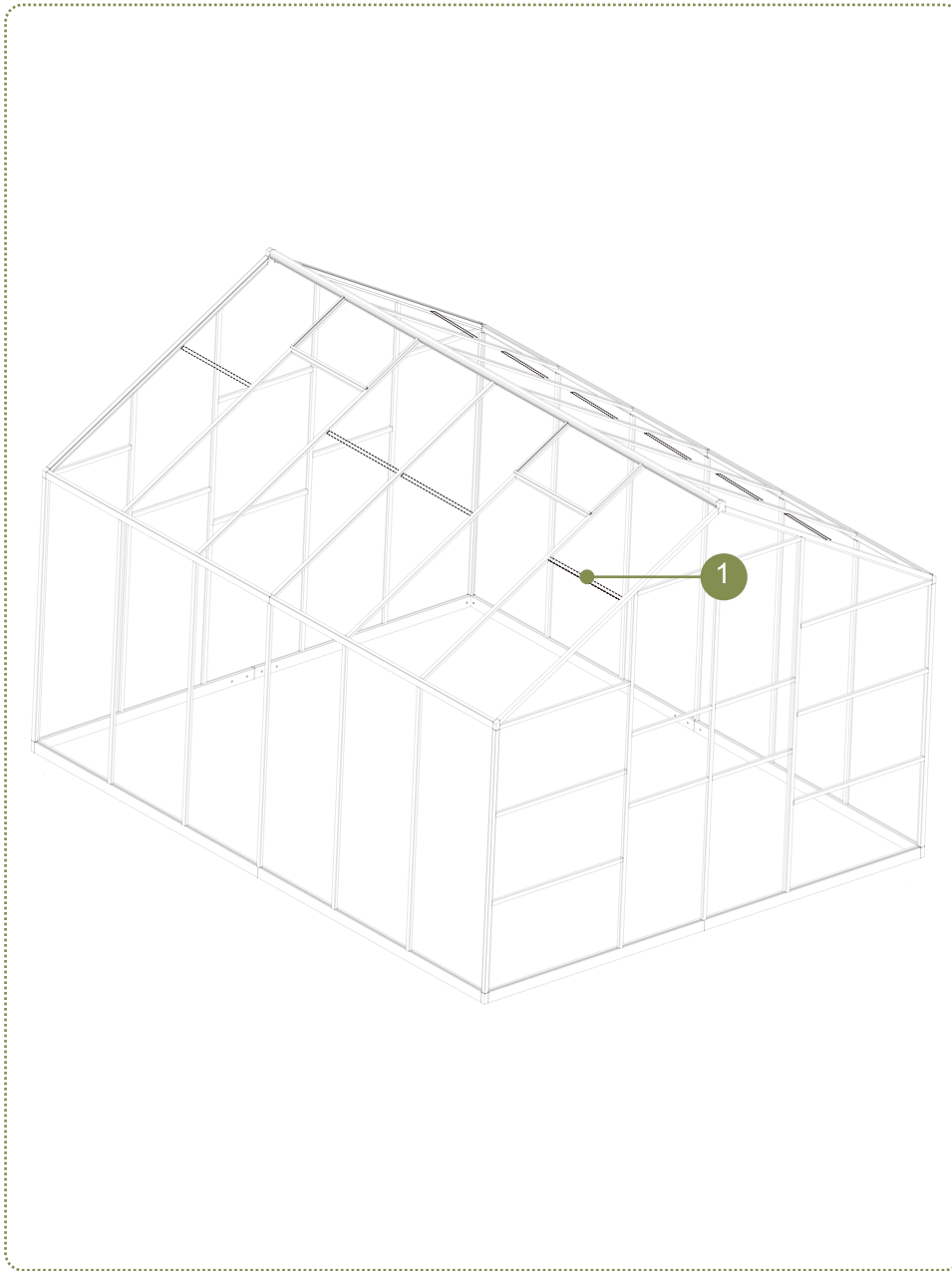
The rest are fixed with H8 screws;

List:

- 1** C9  x4
- 2** C10  x2
- 3** C11  x2
- 4** C12  x2

- 5** H18 M6x20  x4
- 6** H8 M6x12  x20
- 7** C13  x2

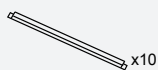
STEP 20 Installation of C6



1. C6 Iron bars are fitted inside the conservatory to hold the frame in place the C6 installs by hand with tool-free assembly.

List:

1 C6





Maintenance

1. Why is it important to clean the PC board regularly?

To protect the UV coating:

PC panels typically have a UV-protective coating. Without regular cleaning, buildup of dust, bird droppings, acid rain, and other pollutants can wear down this layer over time, leading to yellowing, brittleness, and faster aging of the material.

To maintain light transmittance:

Accumulated dirt can obstruct light, potentially reducing transmittance by 10%–30%. This may interfere with sunlight exposure in sunrooms, affecting plant growth and temperature control.

To prevent chemical corrosion:

Bird droppings and industrial pollutants often contain acidic substances that can directly corrode the surface of the panel, leaving permanent stains or causing micro-cracks.

To avoid mechanical damage:

When sand, gravel, or other hard particles adhere to the surface, strong winds or heavy rain can cause them to scrape against the panel, potentially leading to scratches and reduced impact resistance.

2. The Downside of Not Cleaning

Question Type	Specific impact	Long-term risks
Light Transmission Reduction	As natural light decreases, supplemental lighting may be needed, resulting in higher energy usage.	Reduced light transmittance can hinder plant photosynthesis and decrease the efficiency of indoor temperature regulation.
Accelerated Aging	The panel may yellow and become brittle, reducing its lifespan from 10–15 years to as little as 5–8 years.	The structural strength may decline, making the panel more prone to cracking or deformation.
Reduced Appearance	Stains on the surface can make the building look less appealing.	The longer stains stay, the harder they are to clean—and some may become permanent.
Loss Of Function	Reduced heat insulation and impact resistance.	Higher risk of damage during extreme weather, such as hail or storms.



Maintenance

3. Recommended Cleaning Guide

Frequency:

· Clean every 3-6 months.

(Clean more often - every 1-2 months - if you live in a dusty area, rainy climate, or near industrial sites).

How to Clean:

1. Wipe with a soft cloth or sponge soaked in warm water and a mild detergent (like dish soap).
2. For stubborn stains, gently wipe with isopropyl alcohol; avoid strong solvents such as acetone or ammonia.
3. When rinsing, avoid using high-pressure water jets directly on the surface to prevent coating damage.

Important Don'ts:

- ✗ **Hard brushes and steel wool can scratch the surface.**
- ✗ **Dry wiping can worsen scratches due to increased friction.**