

ASSEMBLY INSTRUCTIONS



Fine Furniture for every stage of life

Dining Table

ASSEMBLY INSTRUCTIONS

ASSEMBLY TIPS:

1. Remove hardware from box and sort by size.
2. Please check to see that all hardware and parts are present prior to start of assembly.
3. Please follow attached instructions in the same sequence as numbered to assure fast & easy assembly.



WARNING!

1. Don't attempt to repair or modify parts that are broken or defective. Please contact the store immediately.
2. This product is for home use only and not intended for commercial establishments.



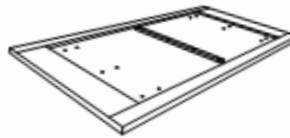
ASSEMBLY TIME

30 MINUTES

PARTS IDENTIFICATION

B1 (BOX 1)

A TOP



1PC

B TRESTLE BAR



1PC

B2 (BOX 2)

C LEG



2PCS

HARDWARE IDENTIFICATION

Z-B2 (BOX 2) - HARDWARE PACK IS LOCATED IN (B2)

1 ALLEN WRENCH
(M4 X 110MM - BLK)



1PC

2 LONG BOLT
(M6 x 50MM - RBW)



2PCS

3 SHORT BOLT
(M6 X 30MM - RBW)



4PCS

4 LOCK WASHER
(1/4" - BLK)



14PCS

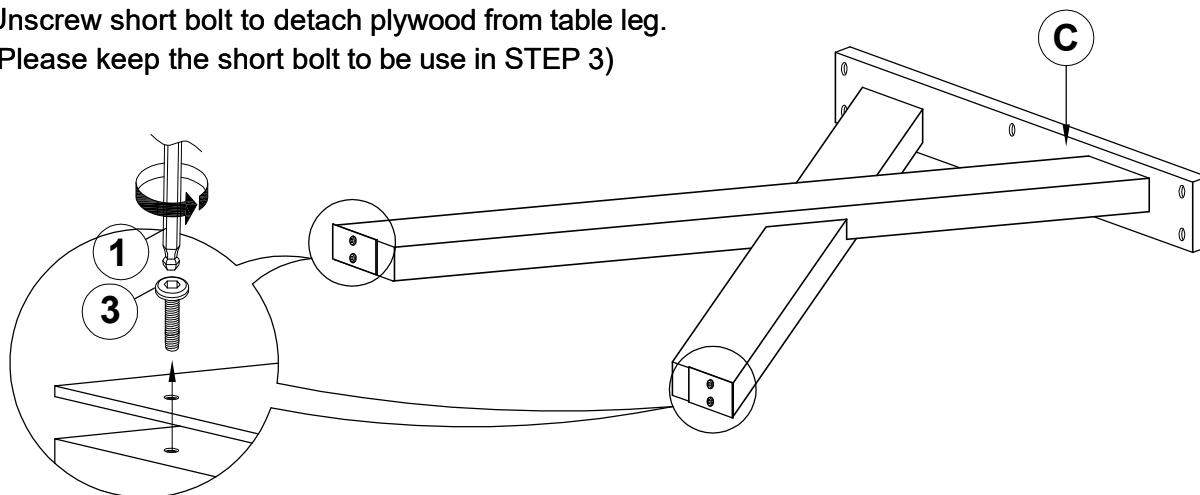
5 FLAT WASHER
(M6 x 13MM - RBW)



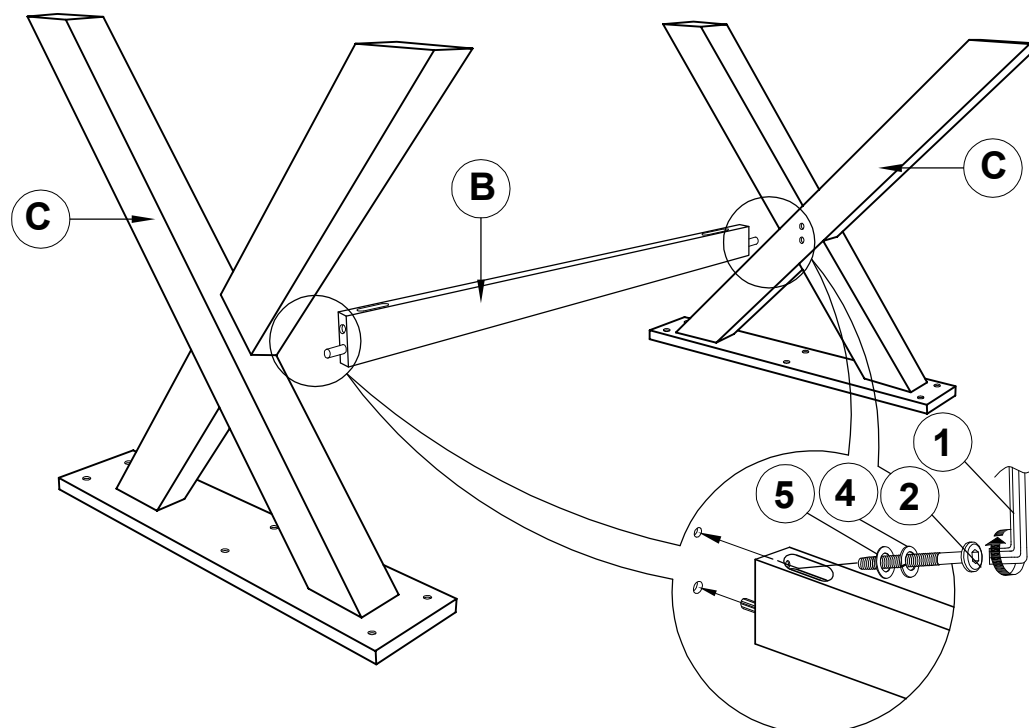
14PCS

STEP 1

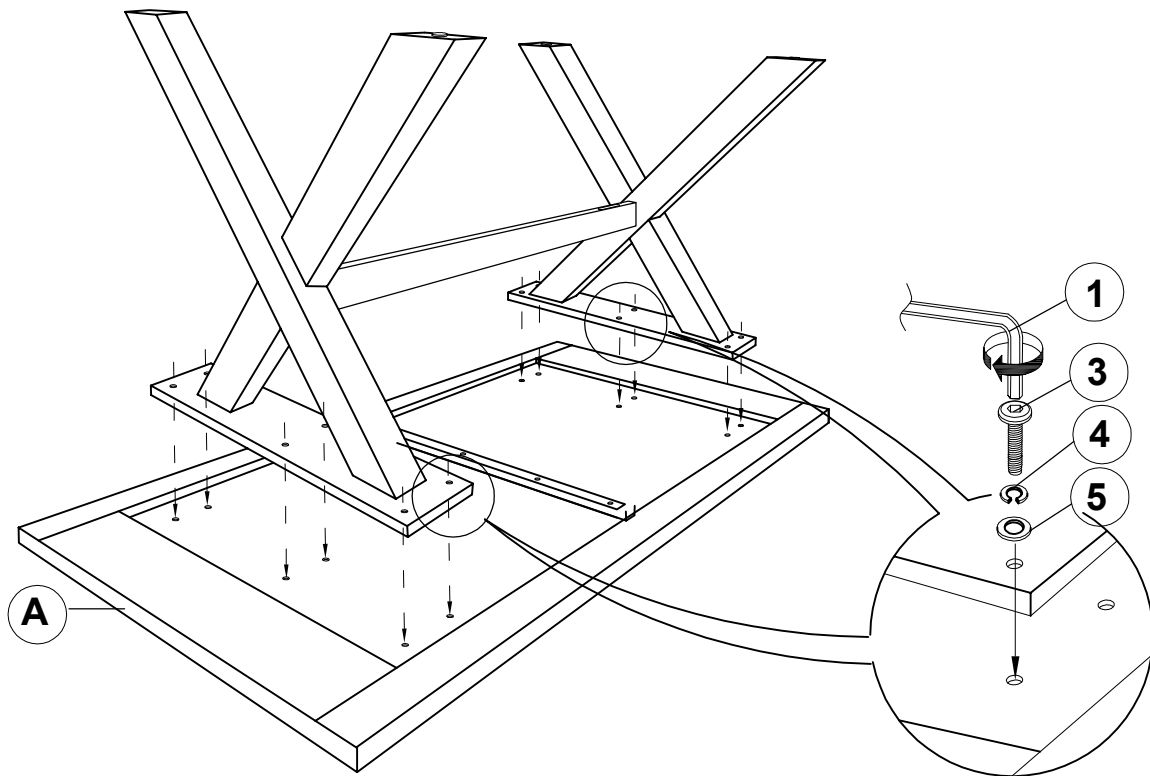
Unscrew short bolt to detach plywood from table leg.
(Please keep the short bolt to be use in STEP 3)



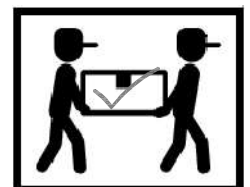
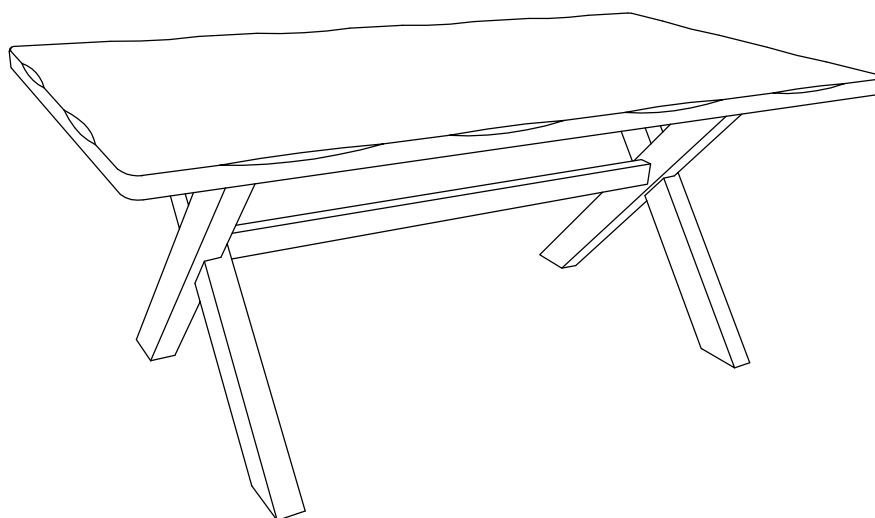
STEP 2

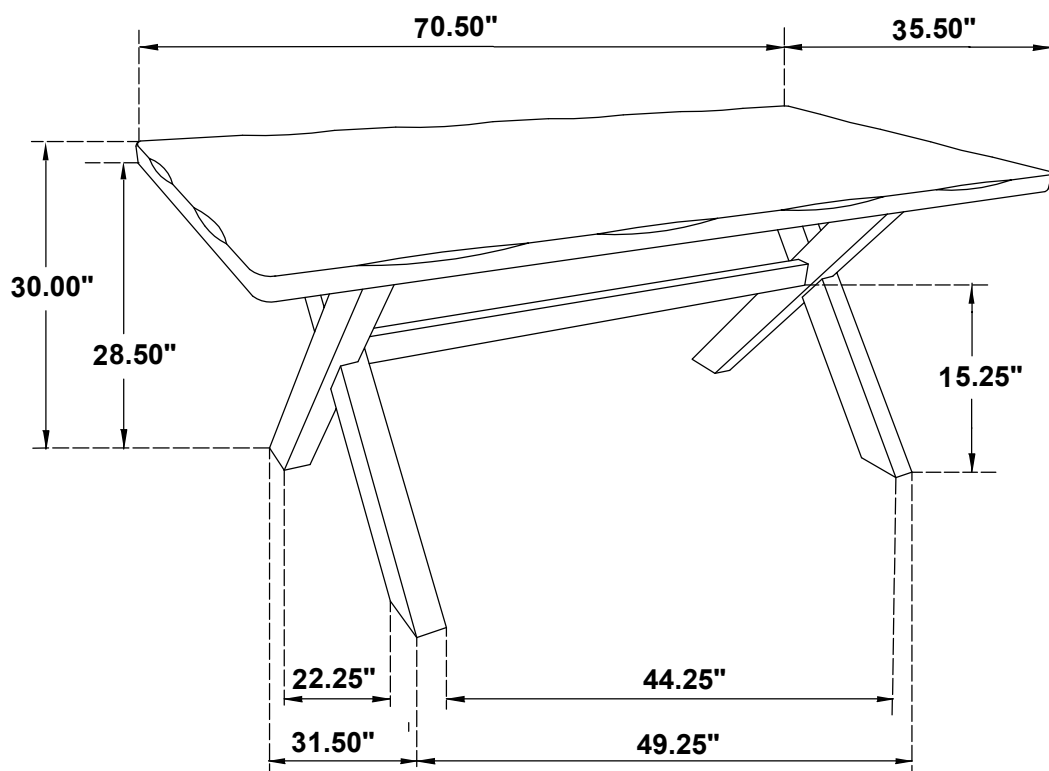


STEP 3



STEP 4 **COMPLETE**





Note: Dimension tolerance $\pm 5\%$