

Installation Manual

BEFORE BEGINNING

Carefully read the instructions before beginning the installation.

DANGER!

To avoid the risk of electrocution, please turn off the electricity mains before commencing the installation.

It is strongly recommended that this installation be performed by a professional electrician.

It is recommended that you wear safety glasses at all times during the installation.

A minimum of two people are needed to perform this installation

This product is wall mounted only

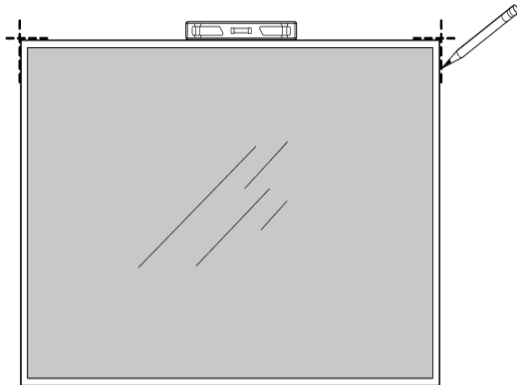
WARNING

To avoid the risk of electrocution, please turn off the electricity mains before commencing the installation.

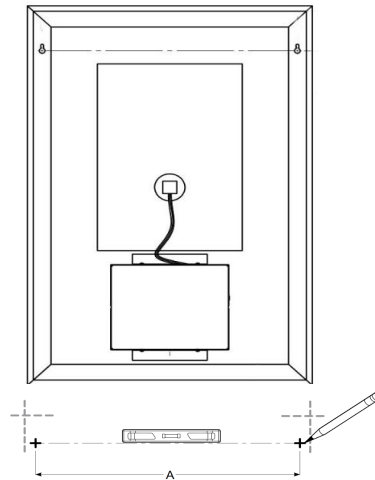
We recommend the mirrors gets fitted by a qualified electrician.

MIRROR INSTALLATION

Level and mark the location.

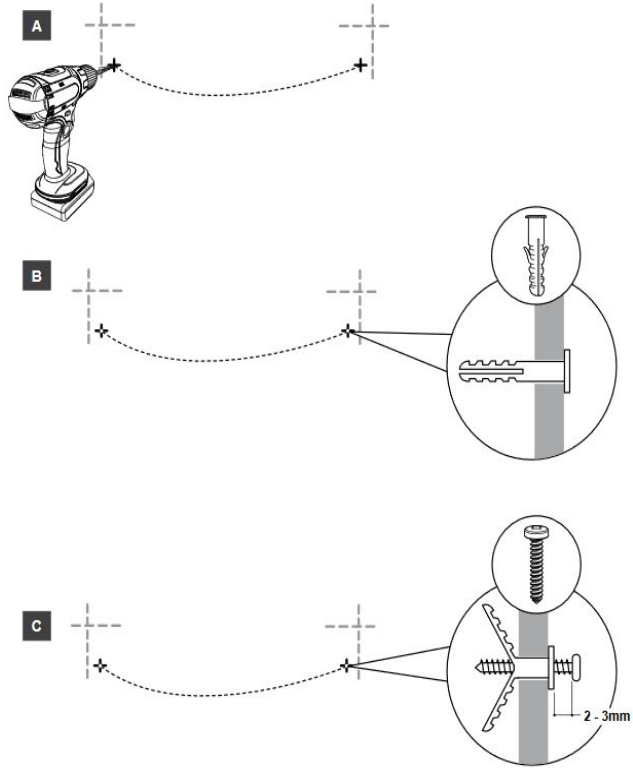


Measure the center of the holes and mark the drilling locations
ensure marking are leveled



INSTALL SCREWS

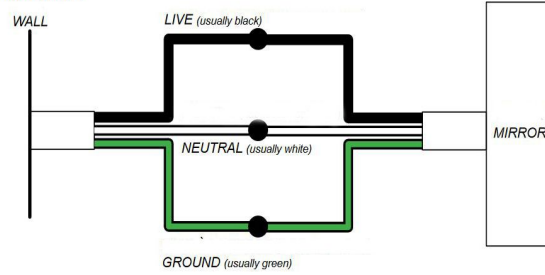
Using a drill, make holes and fill with supplied plugs and screws.
Leave a gap of 2 - 3mm between the head of the screw and the wall.



CONNECTING ELECTRICAL WIRING



WARNING



Place the mirror against the wall and slide down as shown in image B

