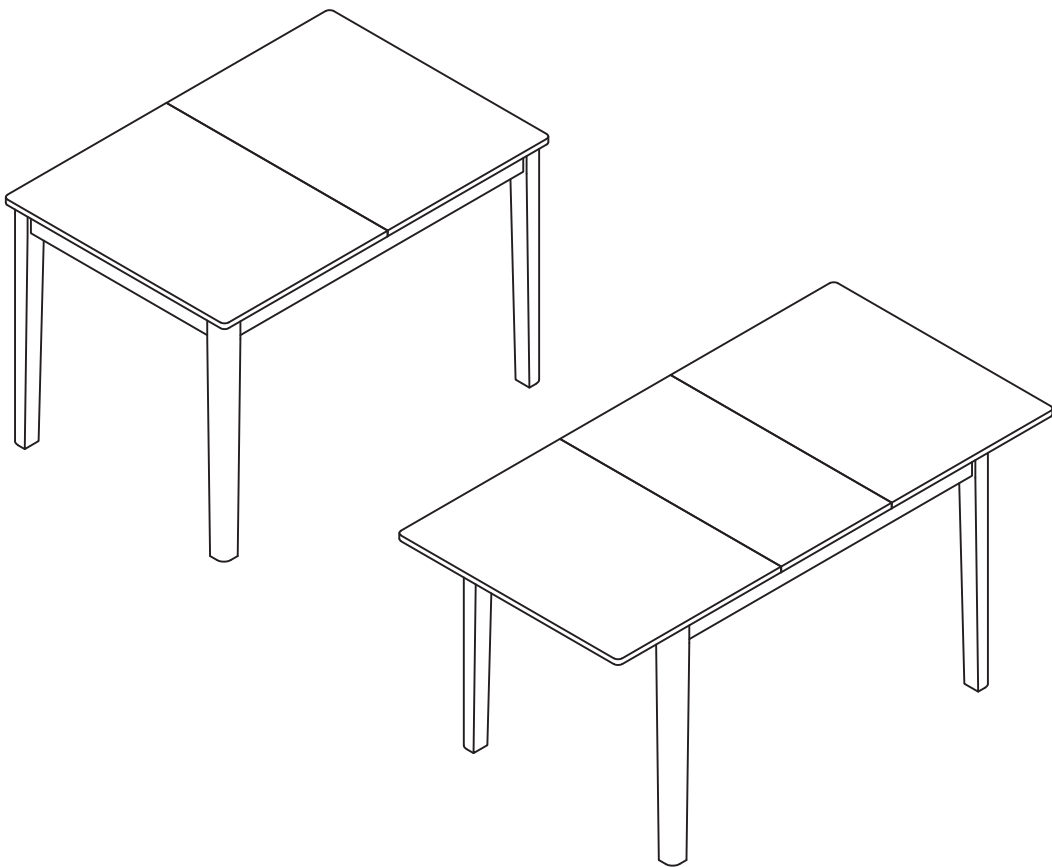


# 4 SEAT EXTENDING DINING TABLE



# CONTENTS

---

Safety and care advice	<b>1</b>
Components – parts	<b>2</b>
Components – fittings	<b>3</b>
Assembly instructions	<b>4</b>
Copyright	<b>12</b>

---



# SAFETY AND CARE ADVICE



**PLEASE READ THESE INSTRUCTIONS CAREFULLY AND KEEP FOR FUTURE REFERENCE**

**Warning:** This unit weighs approximately 26kg. Please lift with care.

- Check you have all the components and tools listed on pages 2 and 3.
- Remove all fittings from the plastic bags and separate them into their groups.
- Keep children and animals away from the work area, small parts could choke if swallowed.
- Make sure you have enough space to layout the parts before starting.
- Do not stand or put weight on the product, this could cause damage.
- Assemble the item as close to its final position (in the same room) as possible.



- Assemble on a soft level surface to avoid damaging the unit or your floor (use opened out unit carton).
- We do not recommend the use of power drill/drivers **for inserting screws**, as this could damage the unit. Only use hand screwdrivers.
- Dispose of all packaging carefully and responsibly.

## CARE AND MAINTENANCE

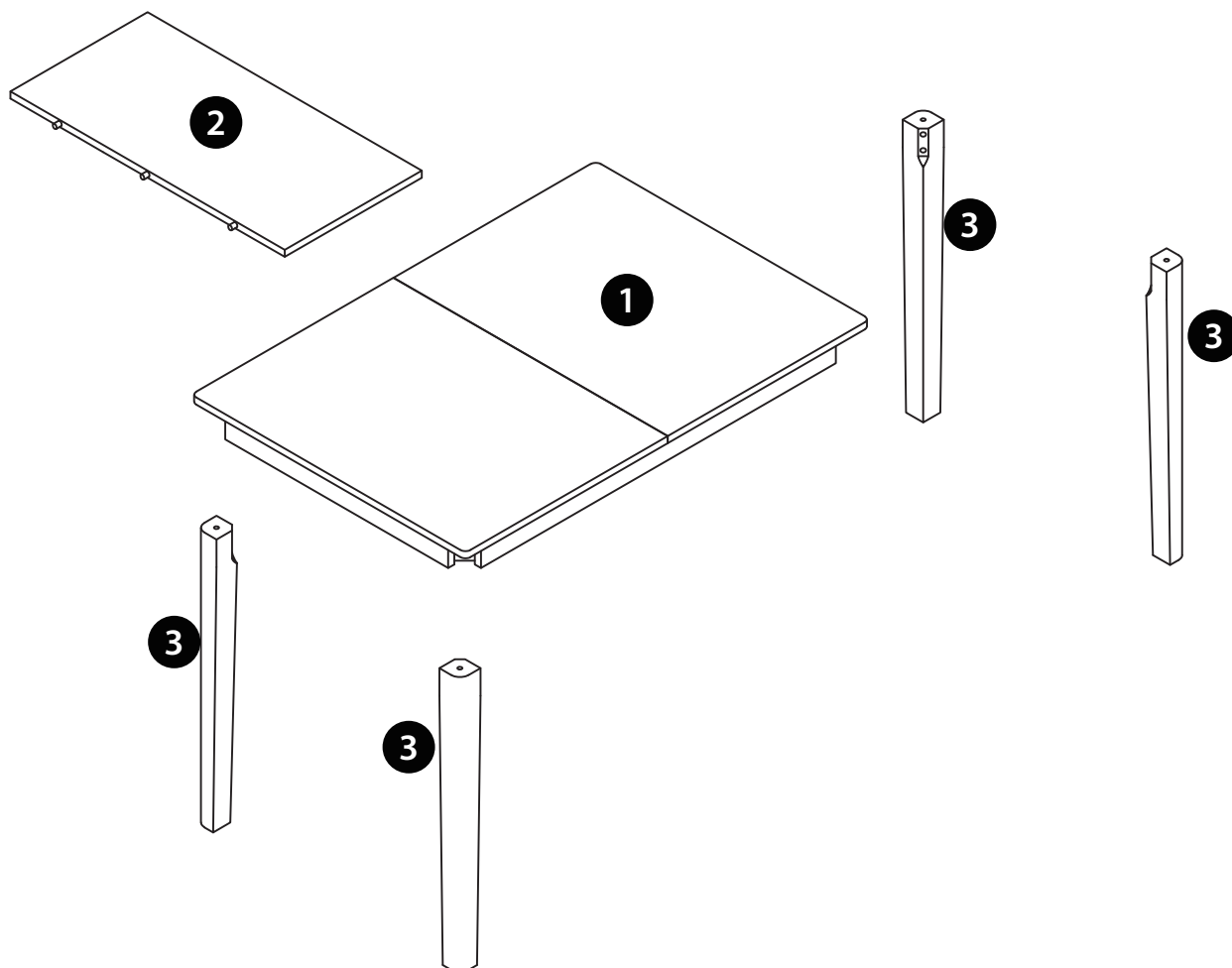
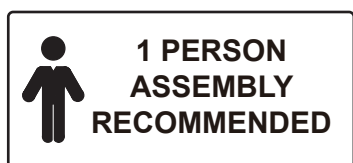
- Only clean using a damp cloth and mild detergent, do not use bleach or abrasive cleaners.
- From time to time check that there are no loose screws on this unit.

- This product should not be discarded with household waste. Take to your local authority waste disposal center.

**Note:** *If required the next page can be cut out and used as reference throughout the assembly. Keep this page with these instructions for future reference*

# COMPONENTS — PARTS

Please check you have all the parts listed below:



## PARTS LIST

1	Table Top	x1
2	Extending Panel	x1
3	Leg	x4



# COMPONENTS — FITTINGS

Please check you have all the fittings listed below:



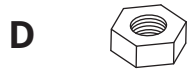
Bolt (Ø8x90mm) x 8



Spring Washer ( M8 ) x 8



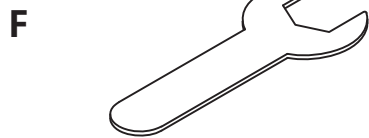
Flat Washer ( M8 ) x 8



Nut ( M8 ) x 8



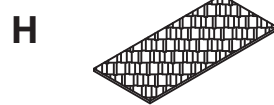
Lock (Ø12x50mm ) x 4



Wrench x 1

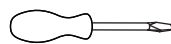


Foot pad x 4



Pad x 4

**TOOLS NEEDED**  
(We don't provide)




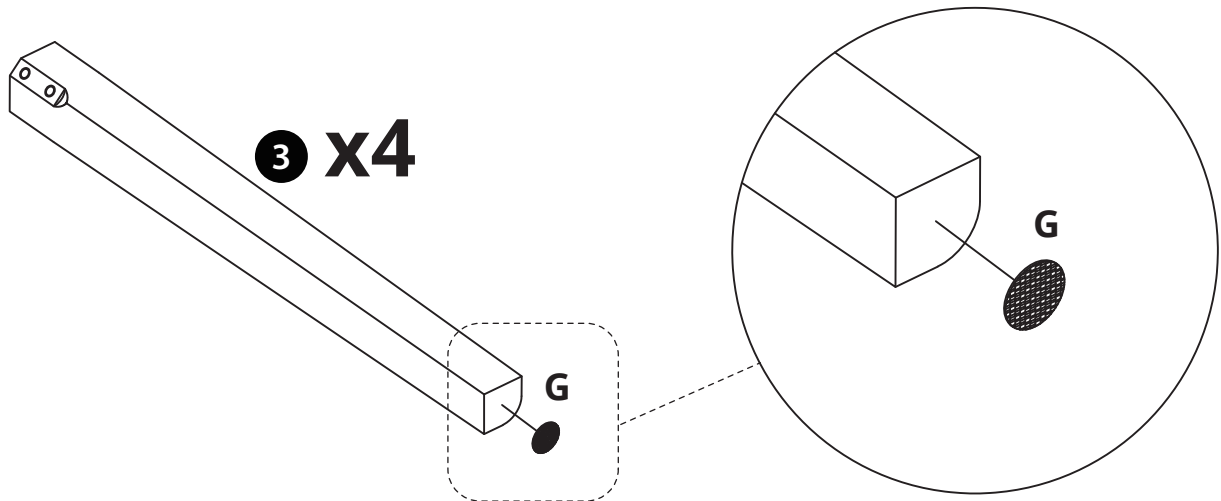
Flat head Screwdriver x 1




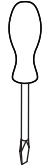
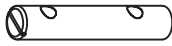
# ASSEMBLY INSTRUCTIONS

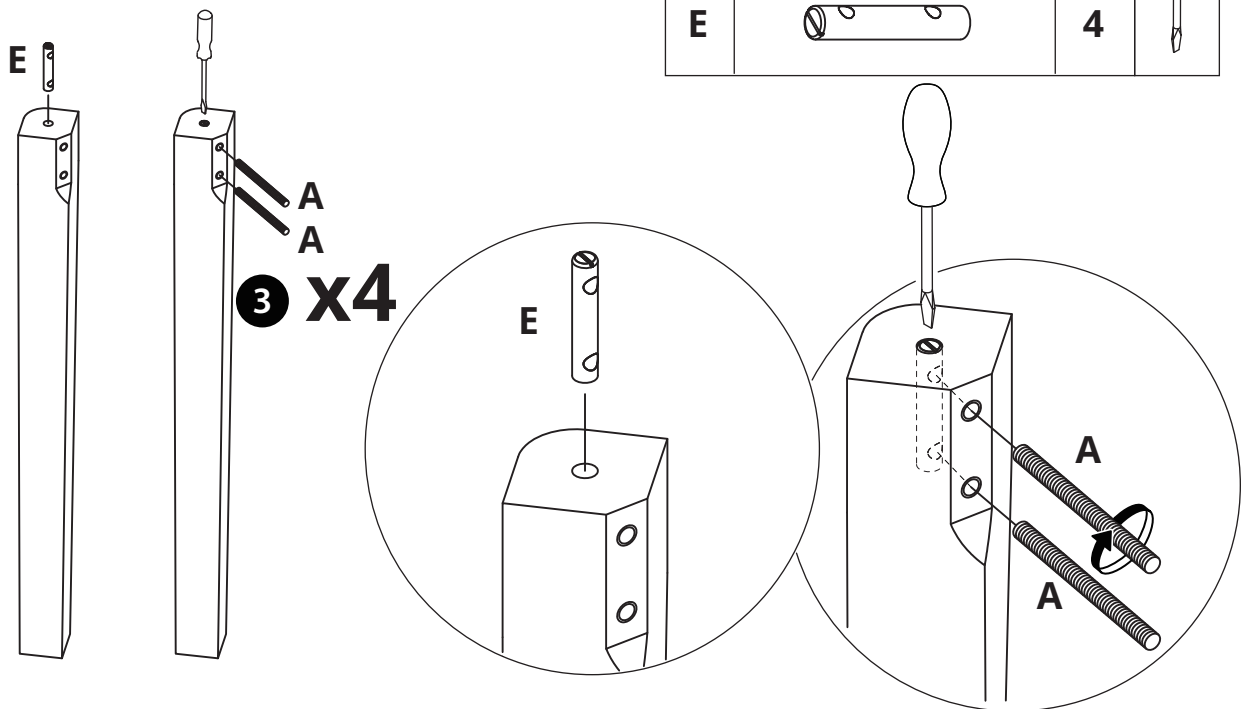
Step 1

G		4
---	-------------------------------------------------------------------------------------	---



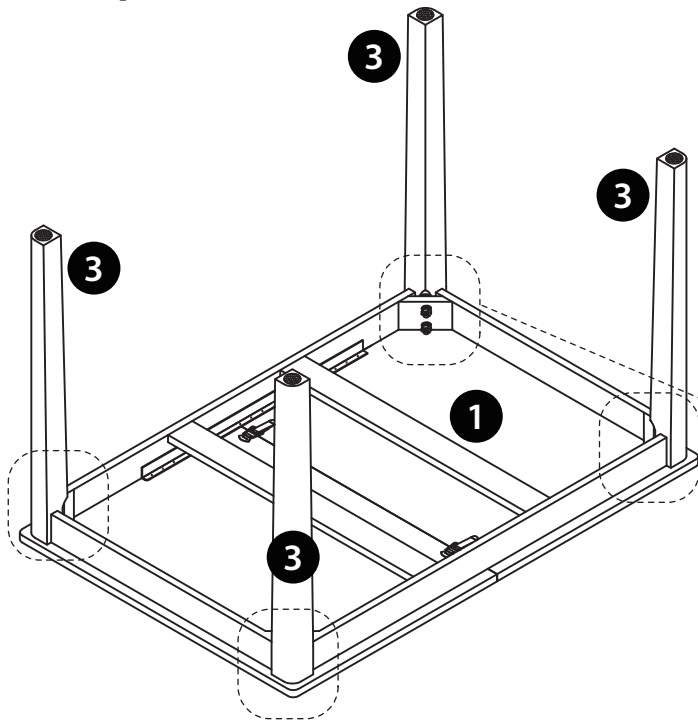
Step 2



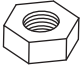

A		8	
E		4	

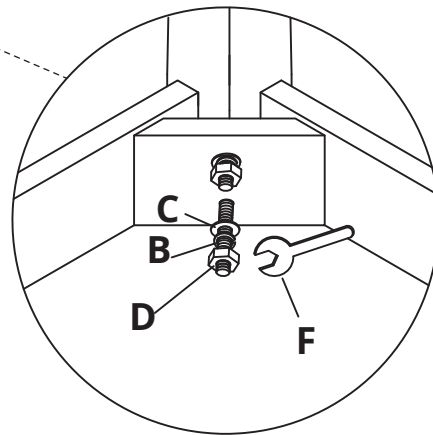


# ASSEMBLY INSTRUCTIONS

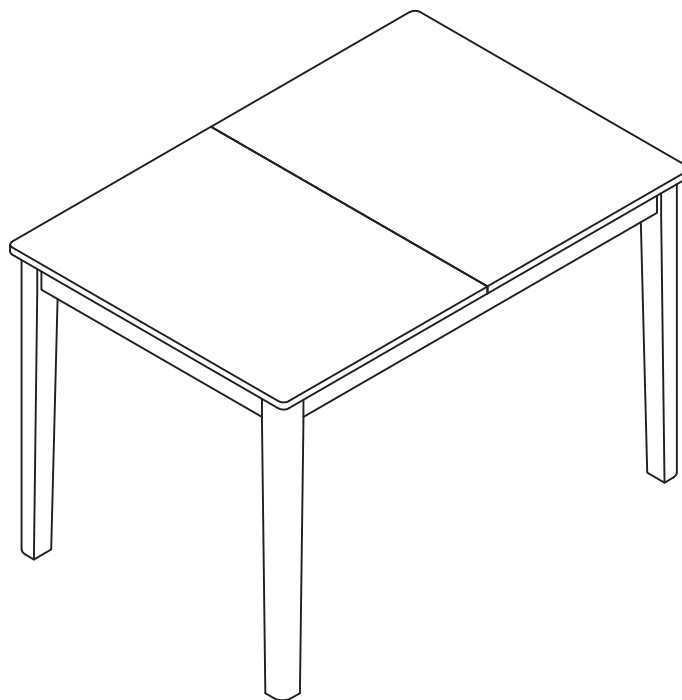
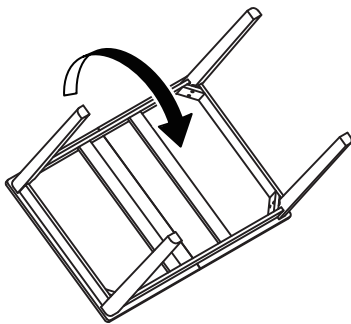
## Step 3



B		8
C		8
D		8
F		1



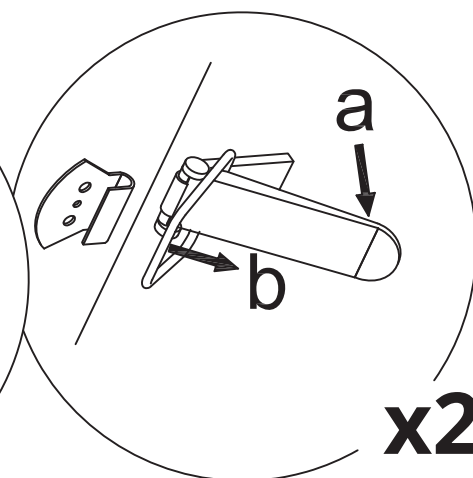
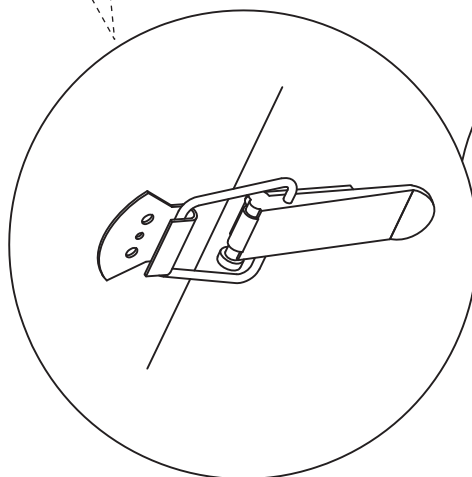
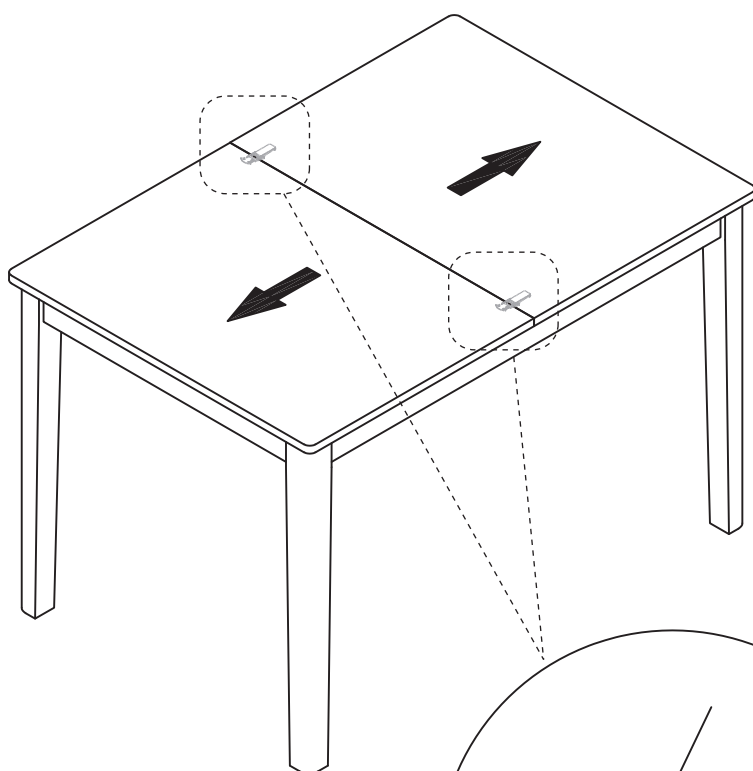
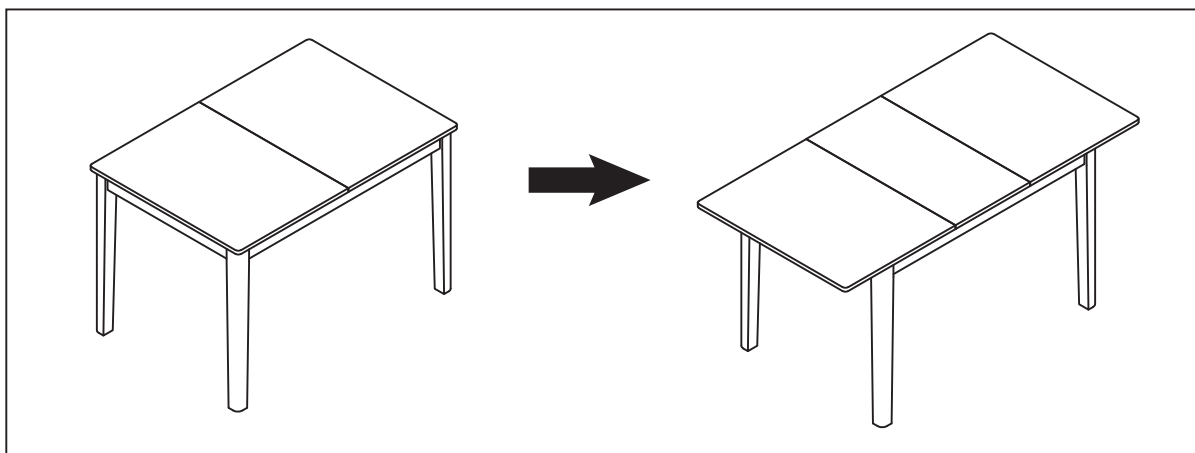
## Step 4



# ASSEMBLY INSTRUCTIONS

---

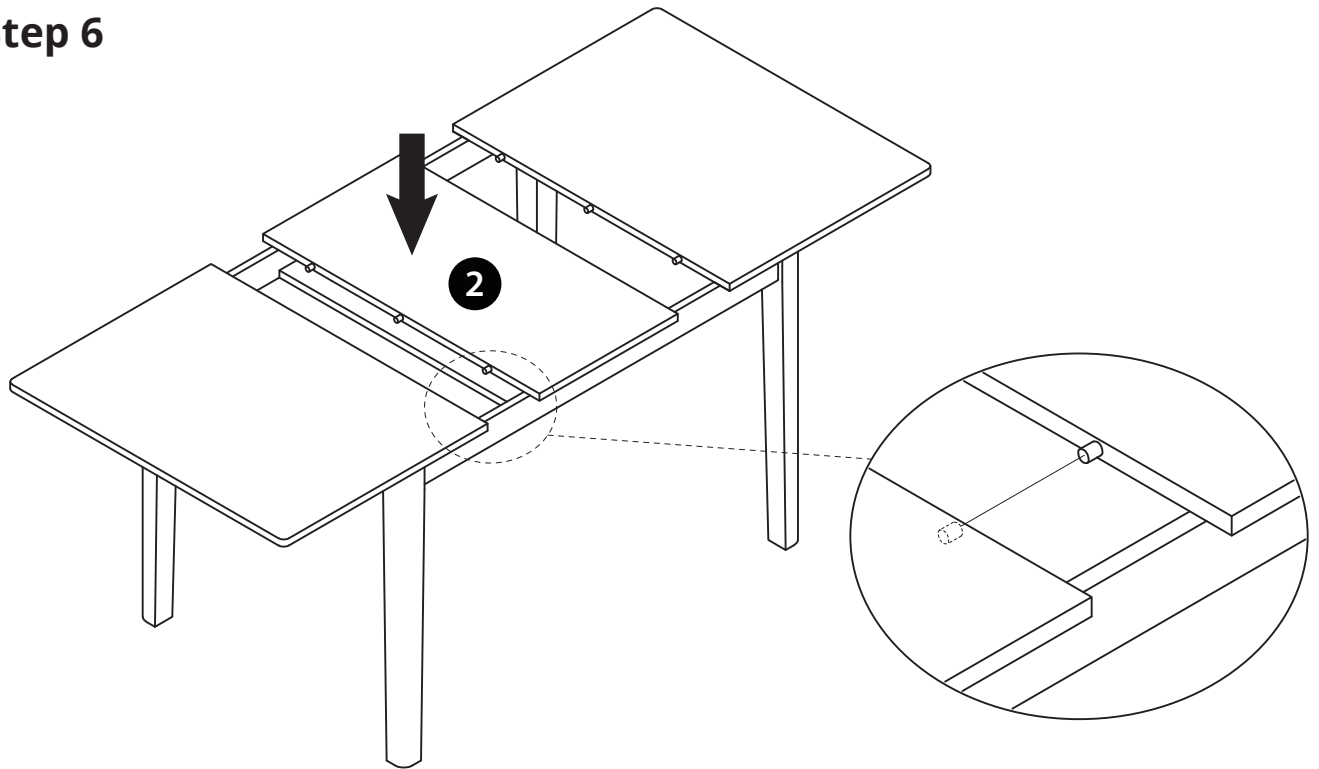
## Step 5



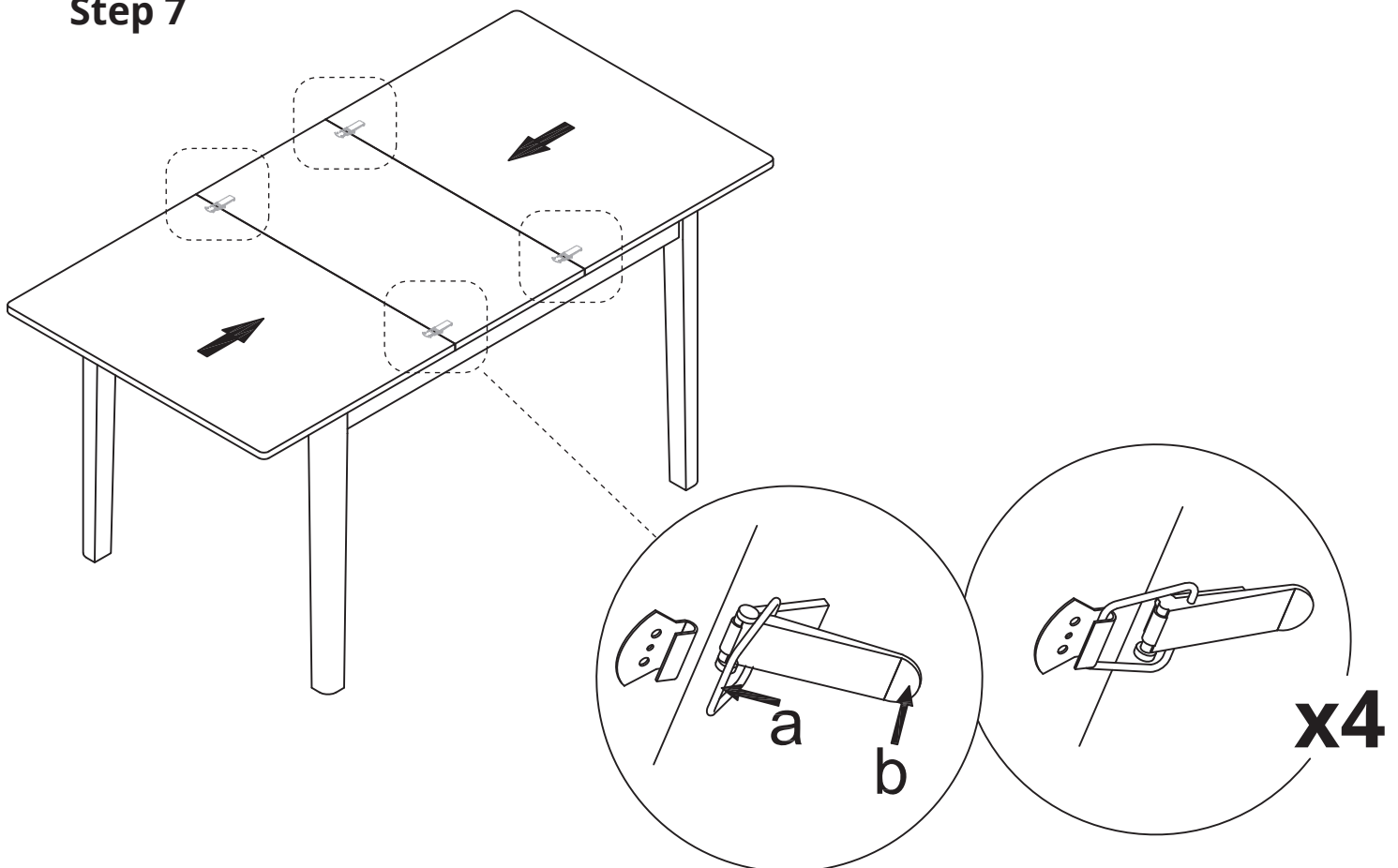
# ASSEMBLY INSTRUCTIONS

---

## Step 6



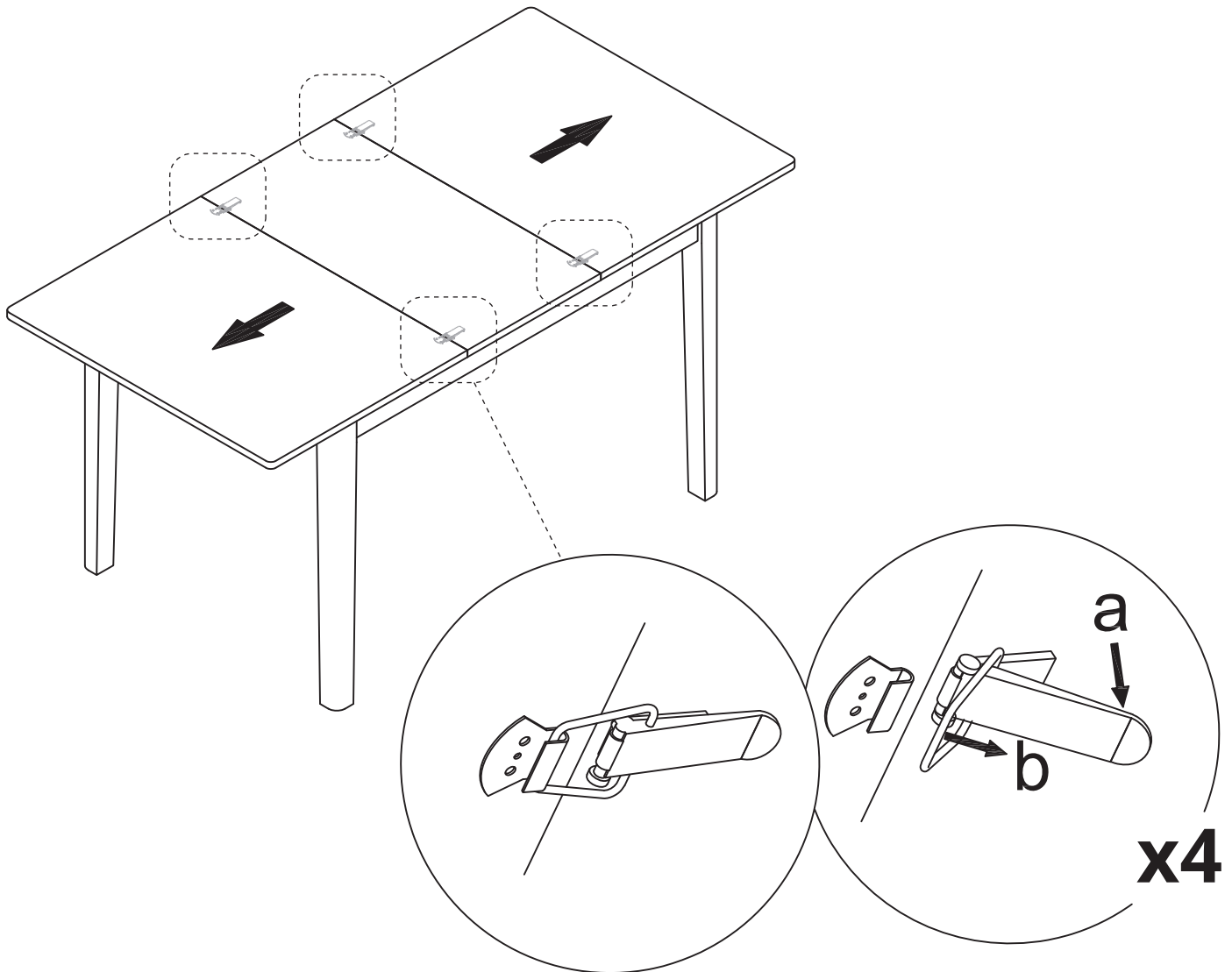
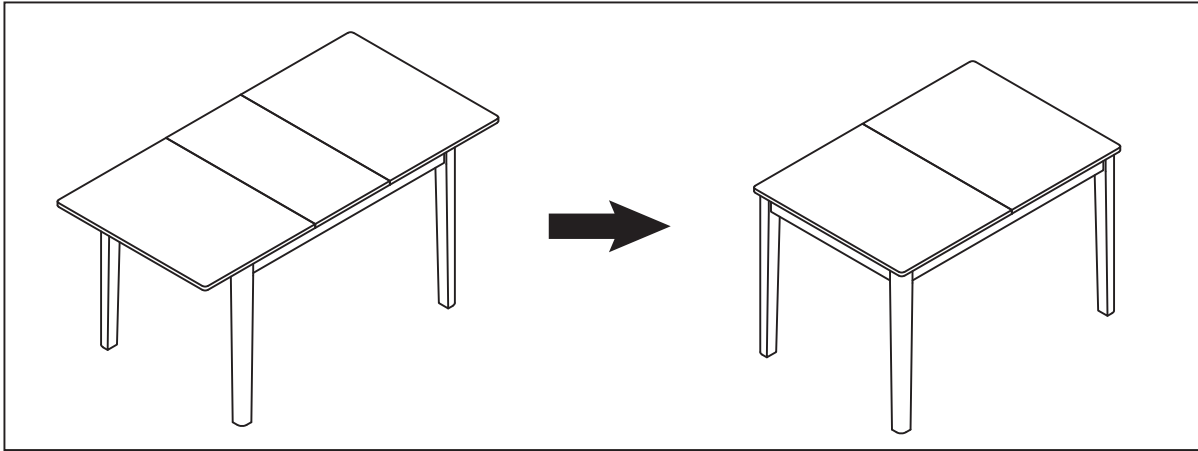
## Step 7



# ASSEMBLY INSTRUCTIONS

---

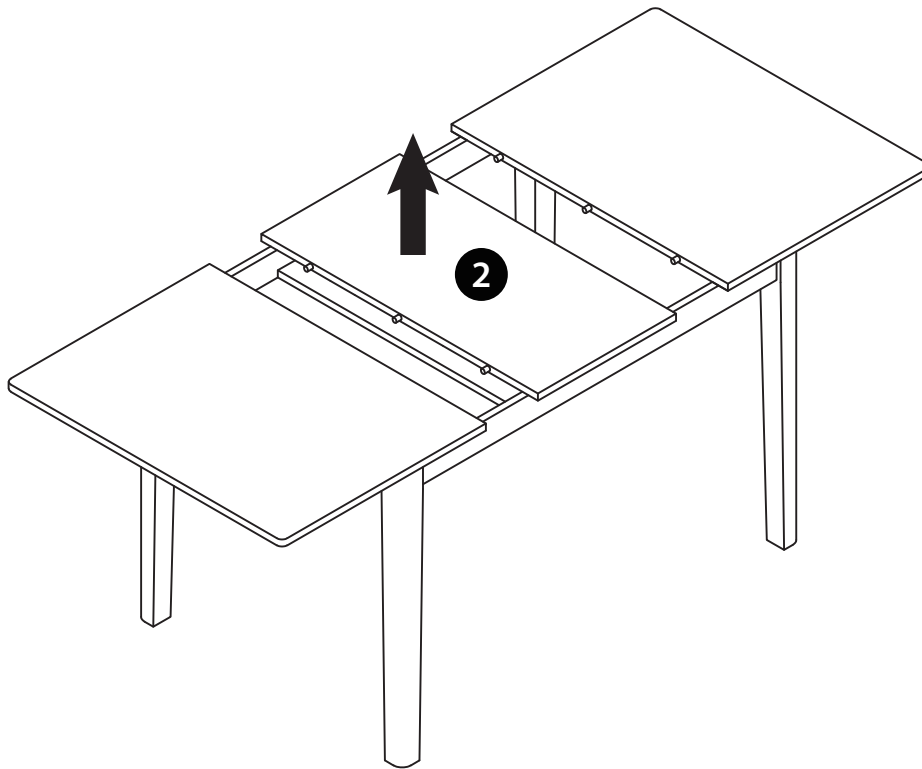
## Step 8



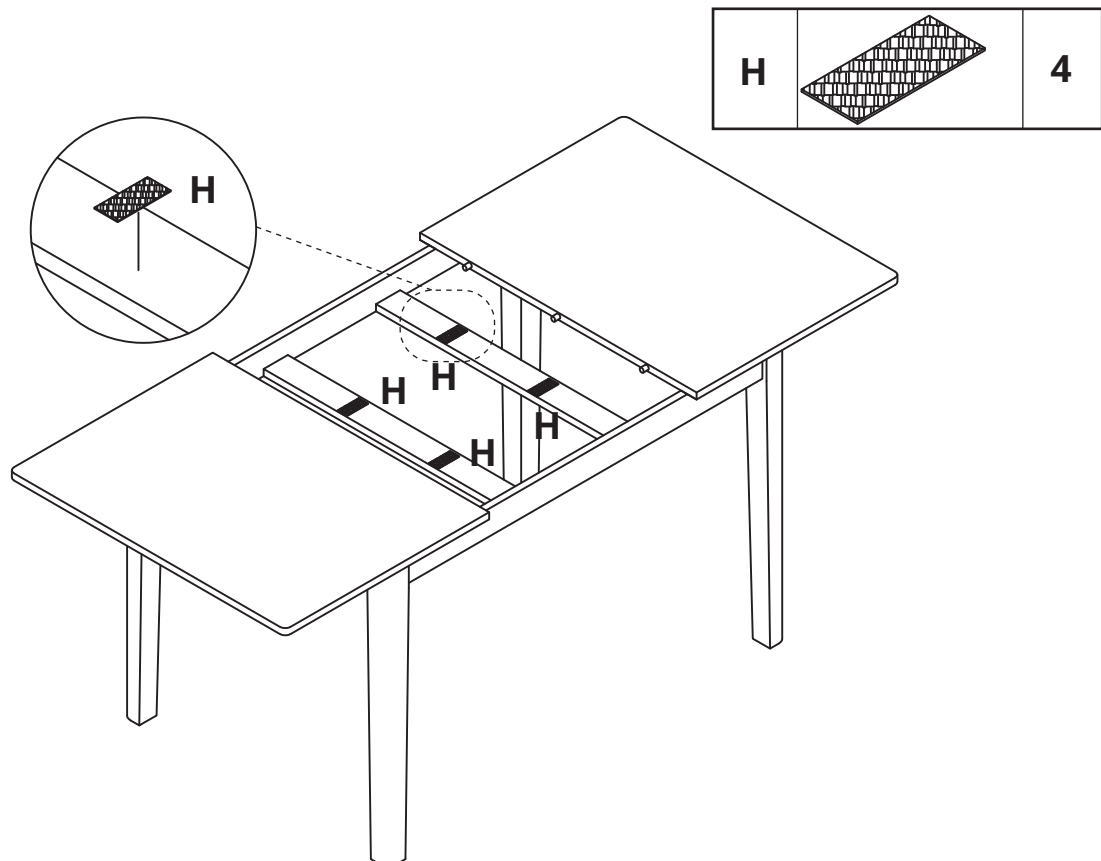
# ASSEMBLY INSTRUCTIONS

---

## Step 9



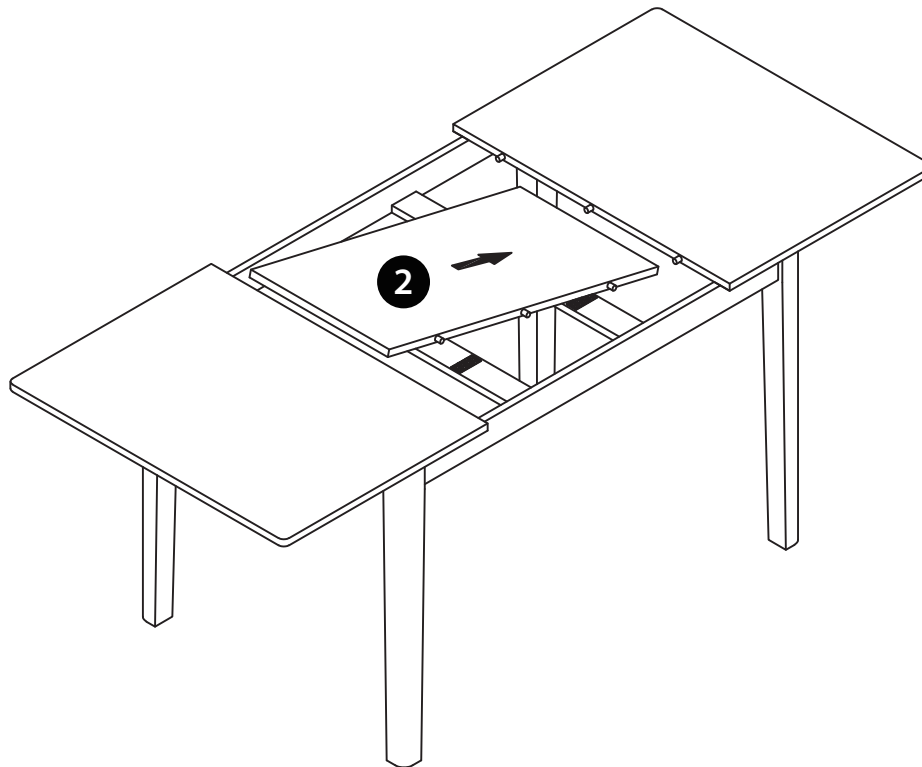
## Step 10



# ASSEMBLY INSTRUCTIONS

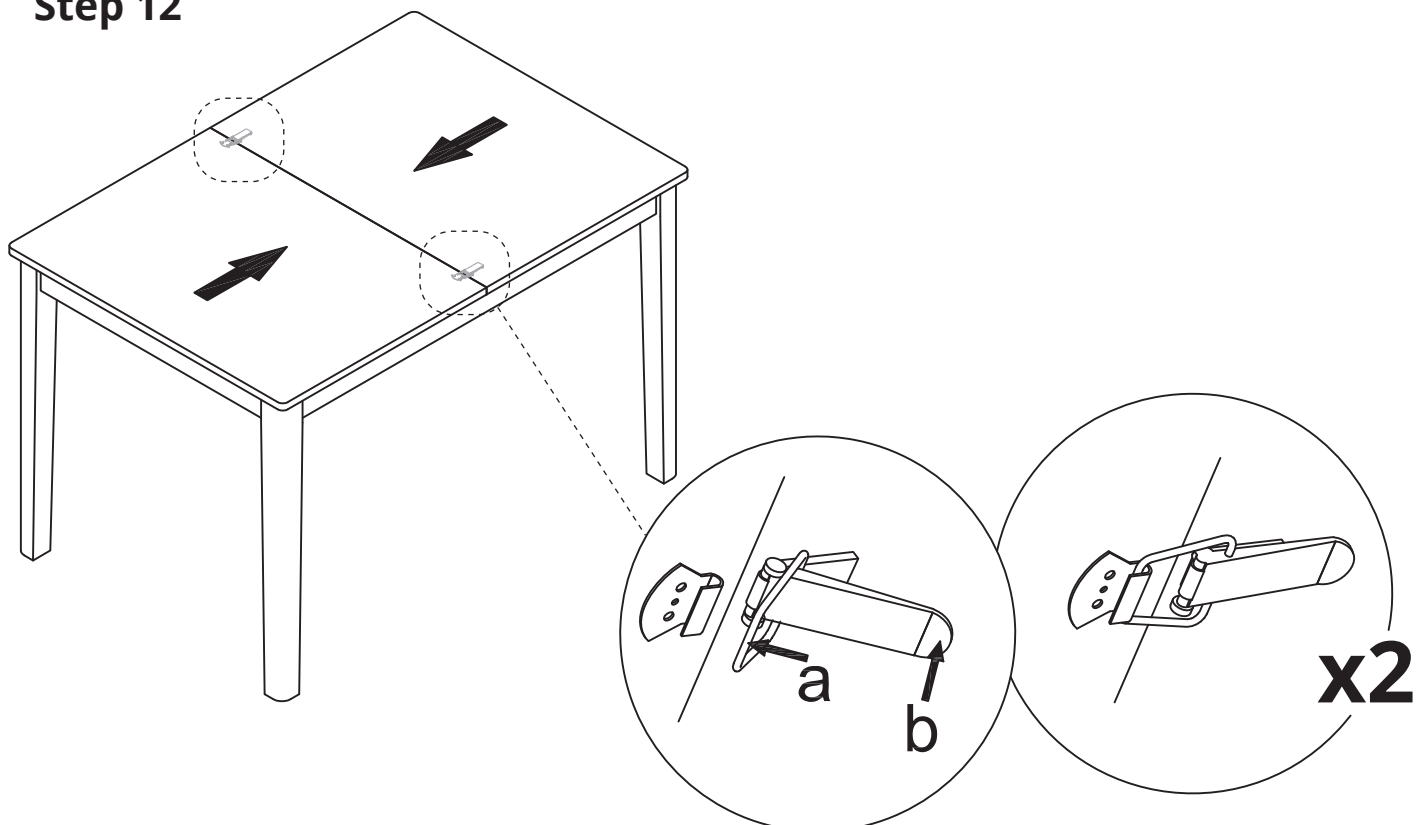
---

## Step 11



---

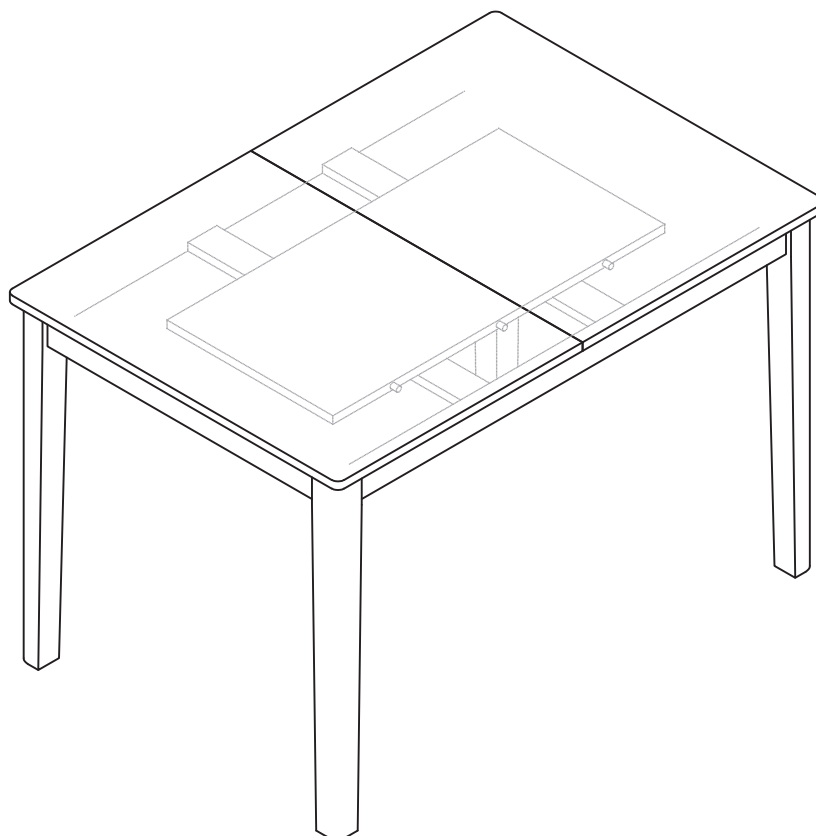
## Step 12



# ASSEMBLY INSTRUCTIONS

---

## Step 13



Congratulations! Now you have finished assembling the product.

## **IF YOU FIND A DEFECTIVE PART**

---

We fully stock all parts and components. Any defective part can be quickly replaced. Take note of the defective part number in manual and we will arrange a quick replacement.