

NOTICE

*Please make sure that you have all parts indicated and they are in good condition before you begin assembly of this item. Refer to part list and hardware list below for guidance.

*This item should be assembled on a soft surface to prevent scratching the finish during assembly.

*This item may require periodic tightening.

*If you are having difficulty, our friendly Customer Care team is always here to help. Please email customersupport@safavieh.com

PREPARATION

*Before beginning assembly of product, make sure all parts are present. Compare parts with part contents list and hardware contents list.

*If any part is missing or damaged, do not attempt to assemble the product.

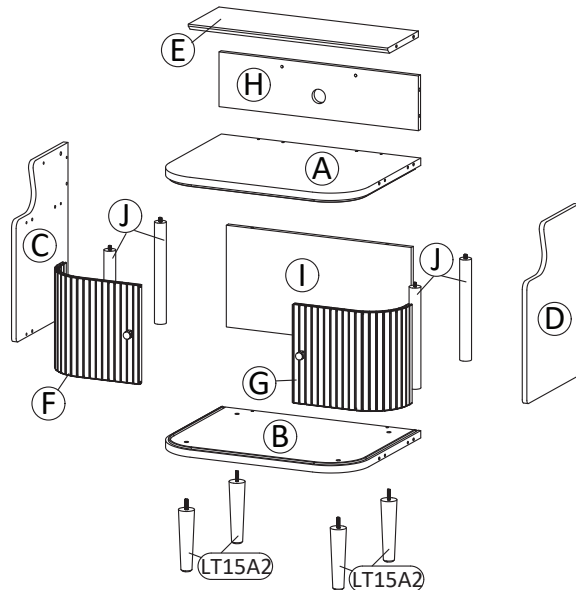
*Estimated Assembly Time: 60 minutes.

*Tools Required for Assembly (included): Allen Key

CARE AND MAINTENANCE

Adhesive felt pads should always be applied to areas of furniture which make direct contact with flooring, said application will prevent damage to the furniture and or surfaces on which the furniture lies. Objects placed on articles of furniture should rest on non abrasive material as to prevent damage to the wood finish. Objects whose composition consists of plastic and rubber are known to discolor and damage the wood surfaces on which they rest. Wipe up spills immediately and avoid common hazards such as hot dishes, harsh solvents and abrasives. Cleaning should be done with a soft lint free cotton cloth dampened with water or furniture polish. On highly used surfaces we recommend applying a quality paste wax which should be used on a regular basis to provide additional protection from scratches and spills. How often you apply the wax depends on how much wear the furniture receives.

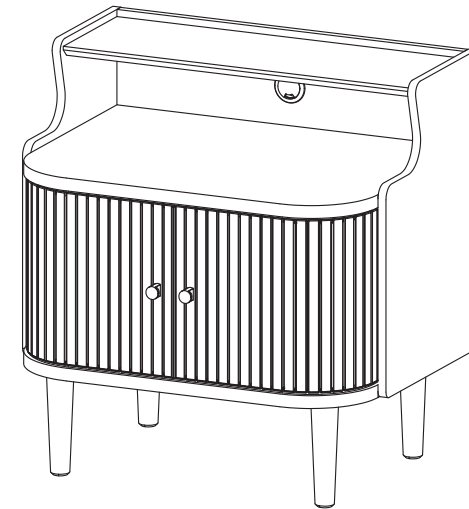
Part List



 **SAFAVIEH**
FURNITURE

Model# NST9616

Product Dimensions: 21.42x"Wx15.35"Dx22.40"H



 **WARNING :**

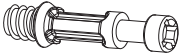



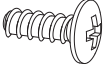

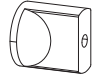

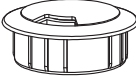
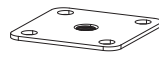
WEIGHT CAPACITY: 13 LBS.

SHELF LOAD CAPACITY: 29 LBS.

Warning : Do not stand on night stand.

Warning : Do not over torque bolts.

Hardware List

<p>HW1x14</p>  <p>Ø 6 x 32 mm</p>	<p>HW2x1</p> 	<p>HW3x2</p>  <p>Ø 15 mm</p>	<p>HW4x12</p>  <p>Ø 12 mm</p>	<p>HW5x16</p>  <p>M 4.5 x 12.5 mm</p>
<p>HW6x 20</p>  <p>Ø 6 x 30 mm</p>	<p>HW7x2</p> 	<p>HW8x2</p>  <p>M 4 x 18 mm</p>	<p>HW9x1</p> 	<p>HW PM3x4</p> 

Part List & HW For Multi-Box Items

Piece	Description	Qty
A	Top Board	1
B	Bottom Board	1
C	Side Board Left	1
D	Side Board Right	1
E	Fixed Shelf	1
F	Door Left	1
G	Door Right	1
H	Back Board 1	1
I	Back Board 2	1
J	Pillar	4
LT15A2	Leg	4

Piece	Description	Qty
HW1	Cambolt	14
HW2	Allen Key	1
HW3	CamLock Big	2
HW4	CamLock Small	12
HW5	Screw M 4.5 x 12.5 mm	16
HW6	Dowel	20
HW7	Handle	2
HW8	Screw M 4 x 18 mm	2
HW9	Grommet Cover	1
HW PM3	Mounting Plate	4

PREPARATION

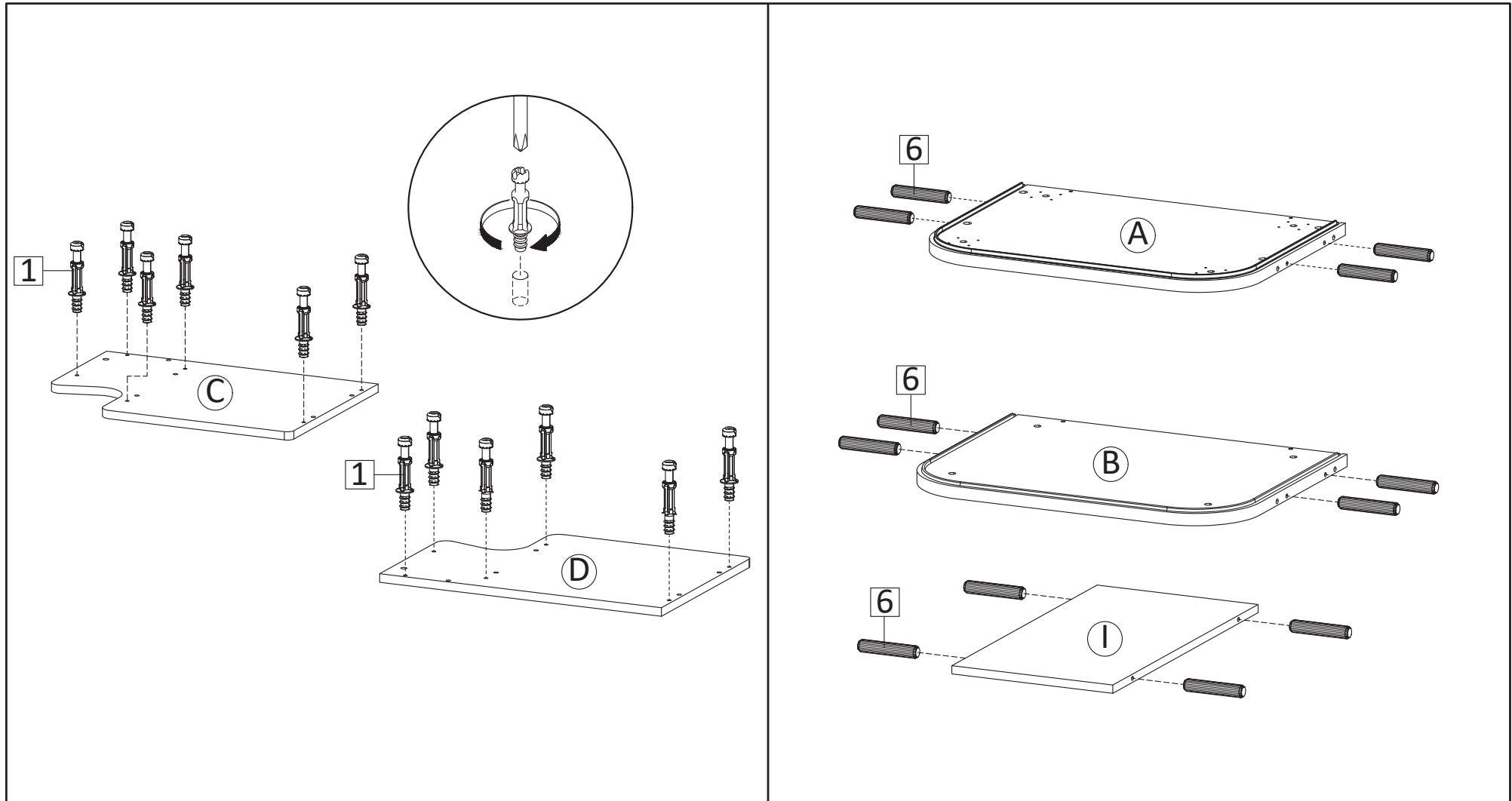
*Before beginning assembly of product, make sure all parts are present. Compare parts with part contents list and hardware contents list.

*If any part is missing or damaged, do not attempt to assemble the product.

*Estimated Assembly Time: 60 minutes.

*Tools Required for Assembly (included): Allen Key

*If you are having difficulty, our friendly Customer Care team is always here to help. Please email customersupport@safavieh.com



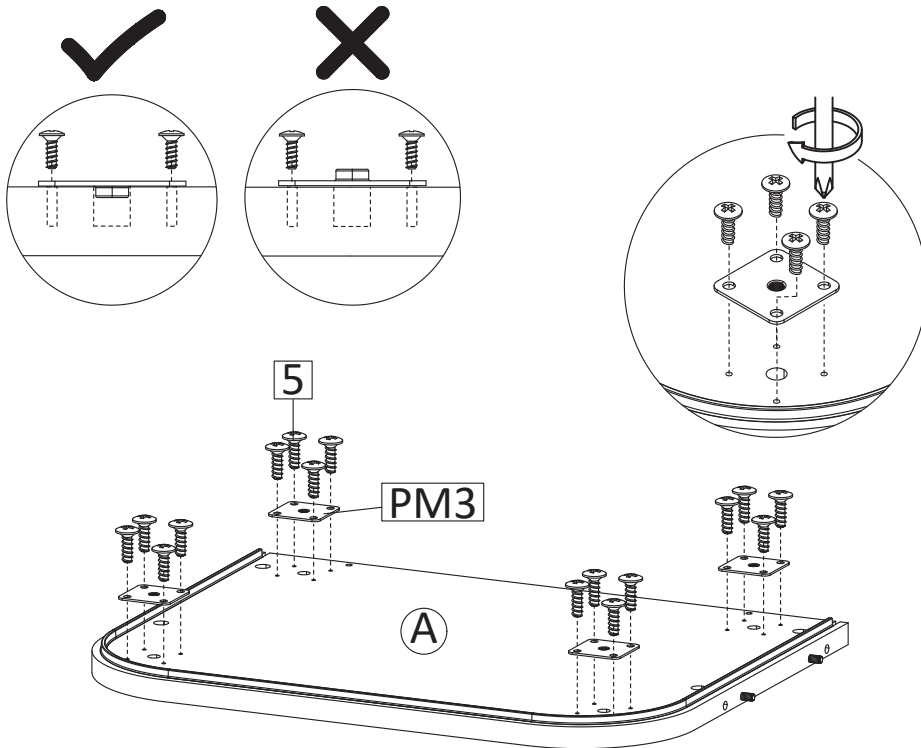
STEP1: Insert Cambolt (HW1) into Side Board Left (C) and Side Board Right (D).

STEP2: Insert Dowel (HW6) into Top Board (A), Bottom Board (B) and Back Board 2 (I).

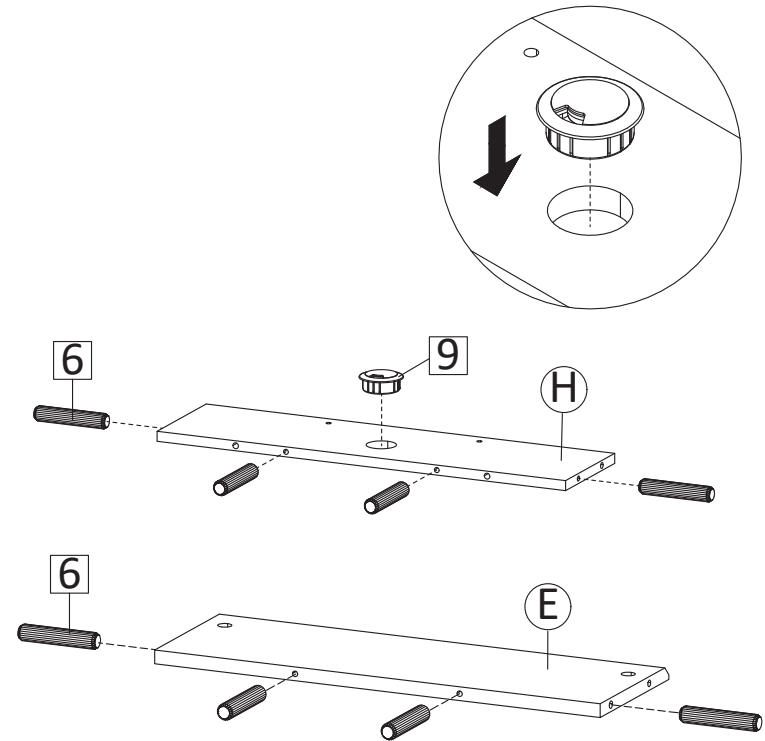
PREPARATION

- *Before beginning assembly of product, make sure all parts are present. Compare parts with part contents list and hardware contents list.
- *If any part is missing or damaged, do not attempt to assemble the product.
- *Estimated Assembly Time: 60 minutes.
- *Tools Required for Assembly (included): Allen Key
- *If you are having difficulty, our friendly Customer Care team is always here to help. Please email customersupport@safavieh.com

Mounting Plate Sitting Correct Position



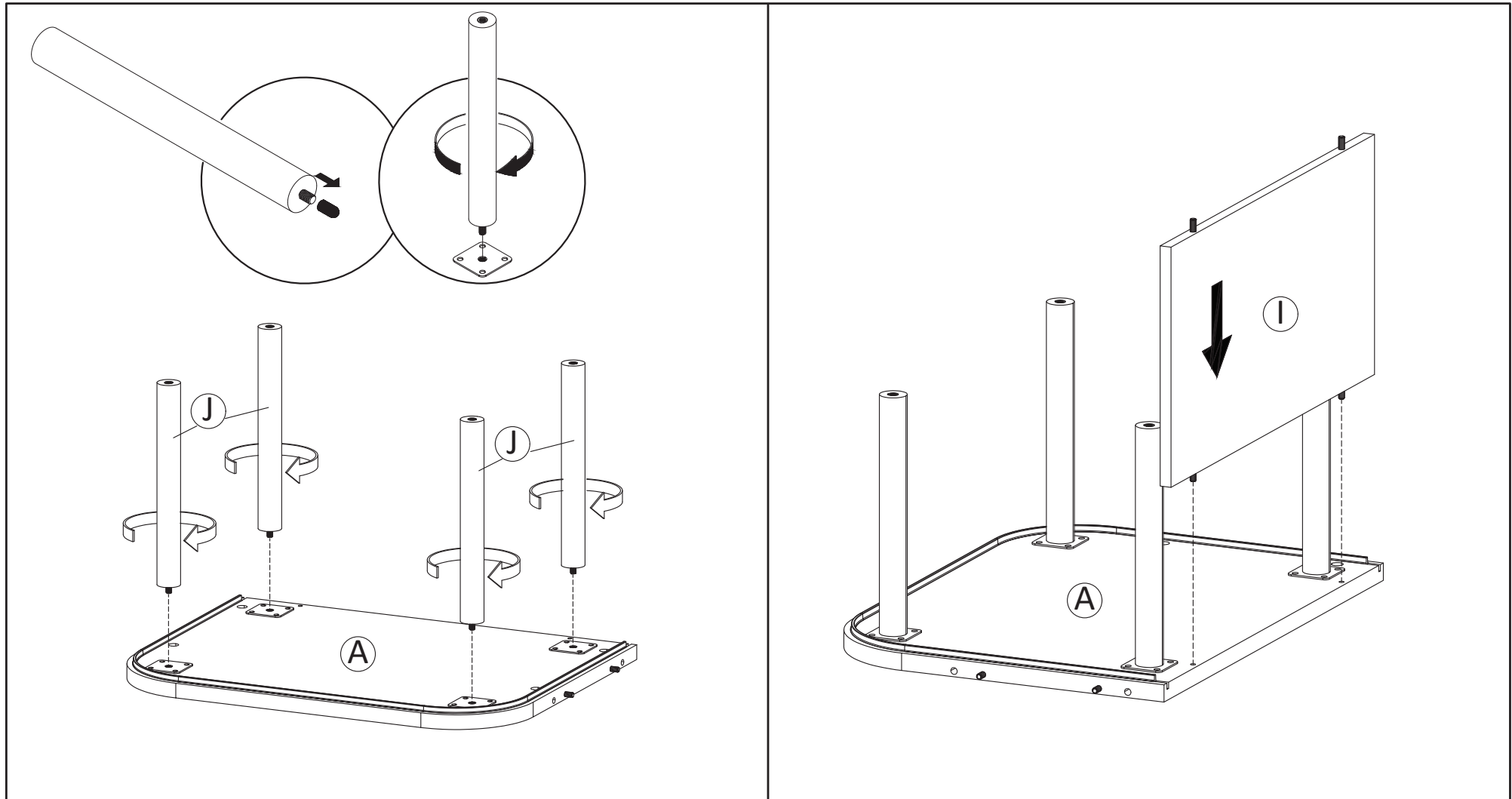
STEP3: Install Mounting Plate (HW PM3) into Top Board (A) secure with Screw M4.5x12.5mm (HW5). position as shown in the figure.



STEP4: Insert Dowel (HW6) into Back Board 1 (H) and Fixed Shelf (E). Insert Grommet Cover (HW9) into Back Board 1 (H) position as shown in the figure.

PREPARATION

- *Before beginning assembly of product, make sure all parts are present. Compare parts with part contents list and hardware contents list.
- *If any part is missing or damaged, do not attempt to assemble the product.
- *Estimated Assembly Time: 60 minutes.
- *Tools Required for Assembly (included): Allen Key
- *If you are having difficulty, our friendly Customer Care team is always here to help. Please email customersupport@safavieh.com



STEP5: Install Pillar (J) into Top Board (A). Tighten by rotating the Pillar clockwise.

STEP6: Install Back Board 2 (I) into Top Board (A) position as shown in the figure.

PREPARATION

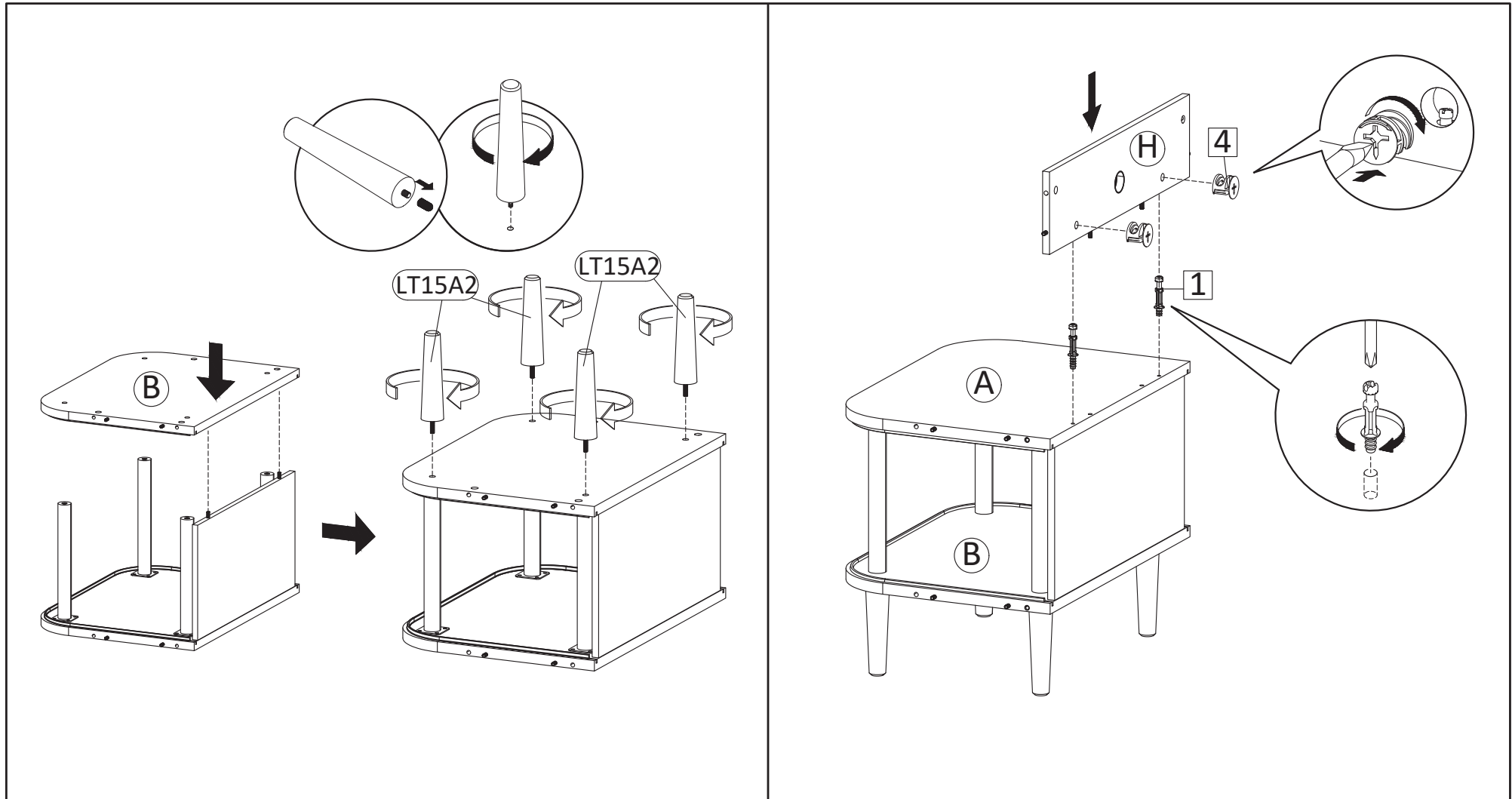
*Before beginning assembly of product, make sure all parts are present. Compare parts with part contents list and hardware contents list.

*If any part is missing or damaged, do not attempt to assemble the product.

*Estimated Assembly Time: 60 minutes.

*Tools Required for Assembly (included): Allen Key

*If you are having difficulty, our friendly Customer Care team is always here to help. Please email customersupport@safavieh.com



STEP7: Attach the Bottom Board (B) to the assembled body then attach Leg (LT15A2) into Bottom Board, tighten by rotating the leg clockwise.

STEP8: Insert Cambolt (HW1) into Top Board (A) and install Back Board 1 (H) into Top Board (A). Insert Camlock Small (HW4) then tighten using screwdriver position as shown in the figure.

PREPARATION

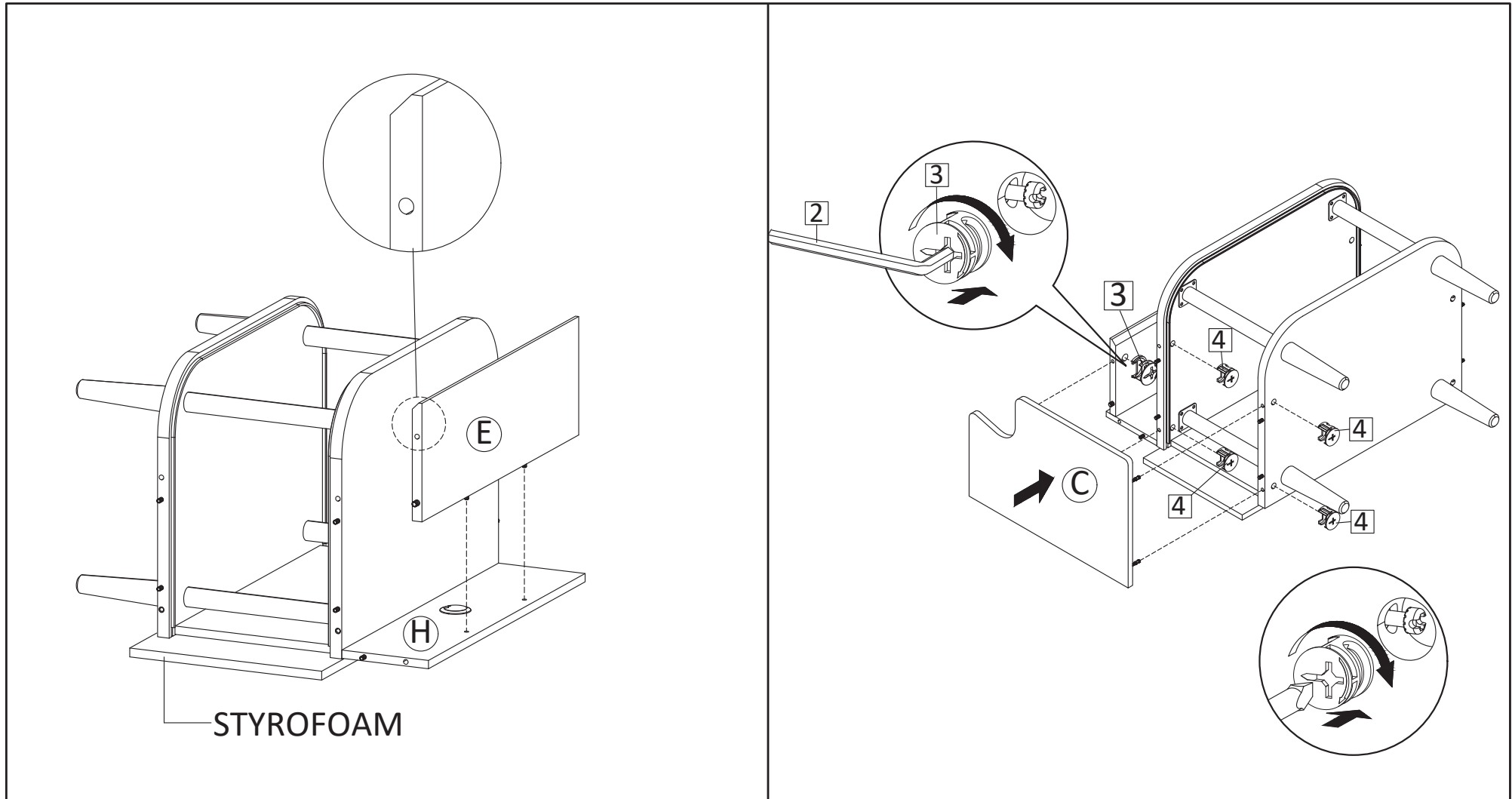
*Before beginning assembly of product, make sure all parts are present. Compare parts with part contents list and hardware contents list.

*If any part is missing or damaged, do not attempt to assemble the product.

*Estimated Assembly Time: 60 minutes.

*Tools Required for Assembly (included): Allen Key

*If you are having difficulty, our friendly Customer Care team is always here to help. Please email customersupport@safavieh.com

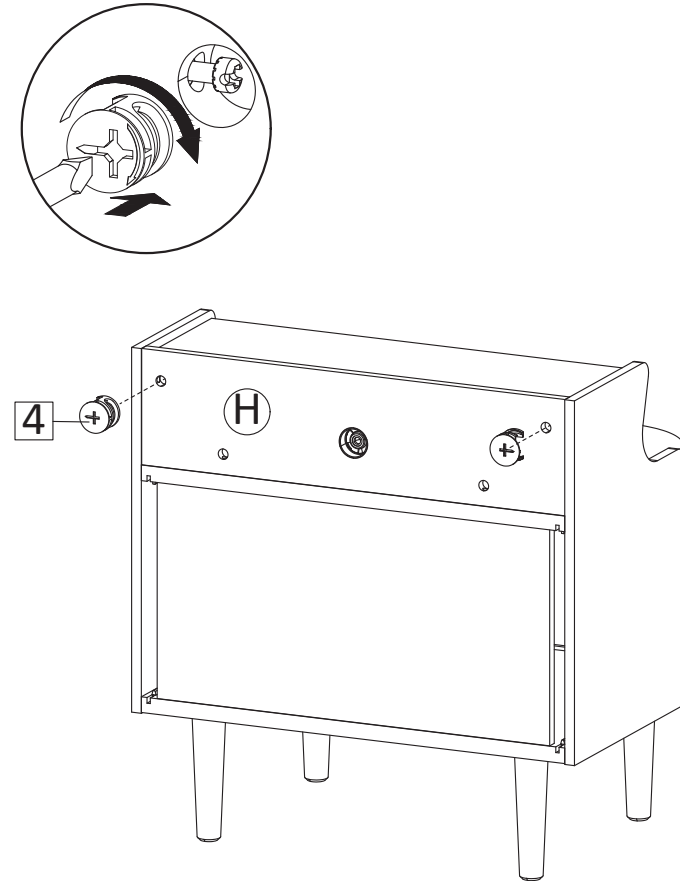
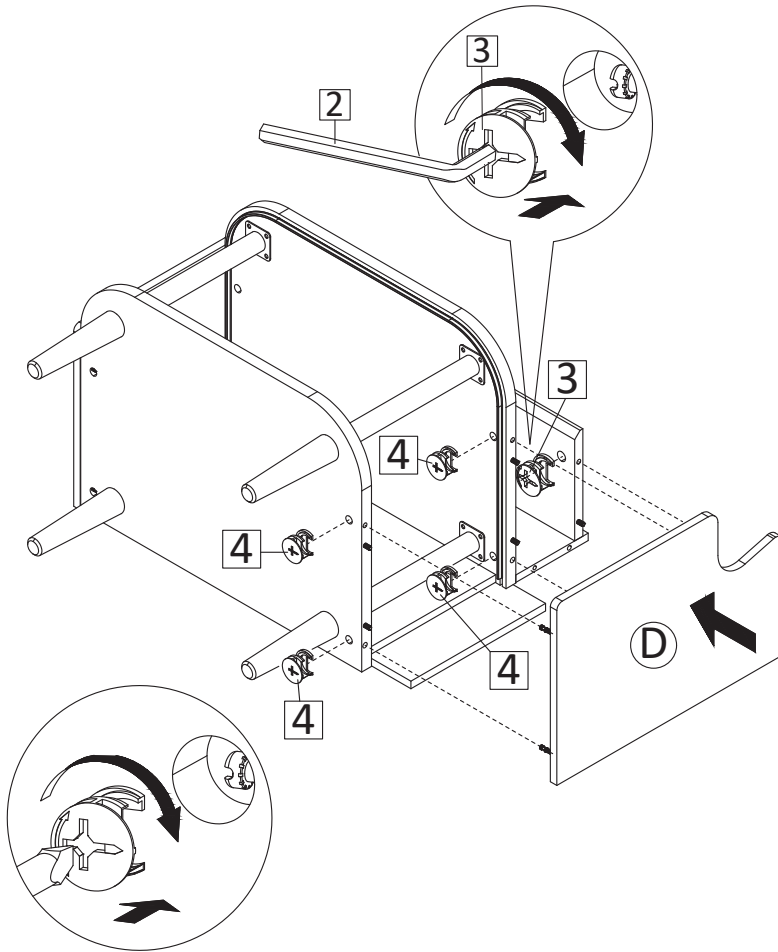


STEP9: Install Fixed Shelf (E) into Back Board 1 (H) position as shown in the figure. Styrofoam is taken from the packaging in the box.

STEP10: Install Side Board Left (C) then tighten Camlock Big (HW3) with Allen Key (HW2) and tighten camlock small (HW4) using screwdriver position as shown in the figure.

PREPARATION

- *Before beginning assembly of product, make sure all parts are present. Compare parts with part contents list and hardware contents list.
- *If any part is missing or damaged, do not attempt to assemble the product.
- *Estimated Assembly Time: 60 minutes.
- *Tools Required for Assembly (included): Allen Key
- *If you are having difficulty, our friendly Customer Care team is always here to help. Please email customersupport@safavieh.com

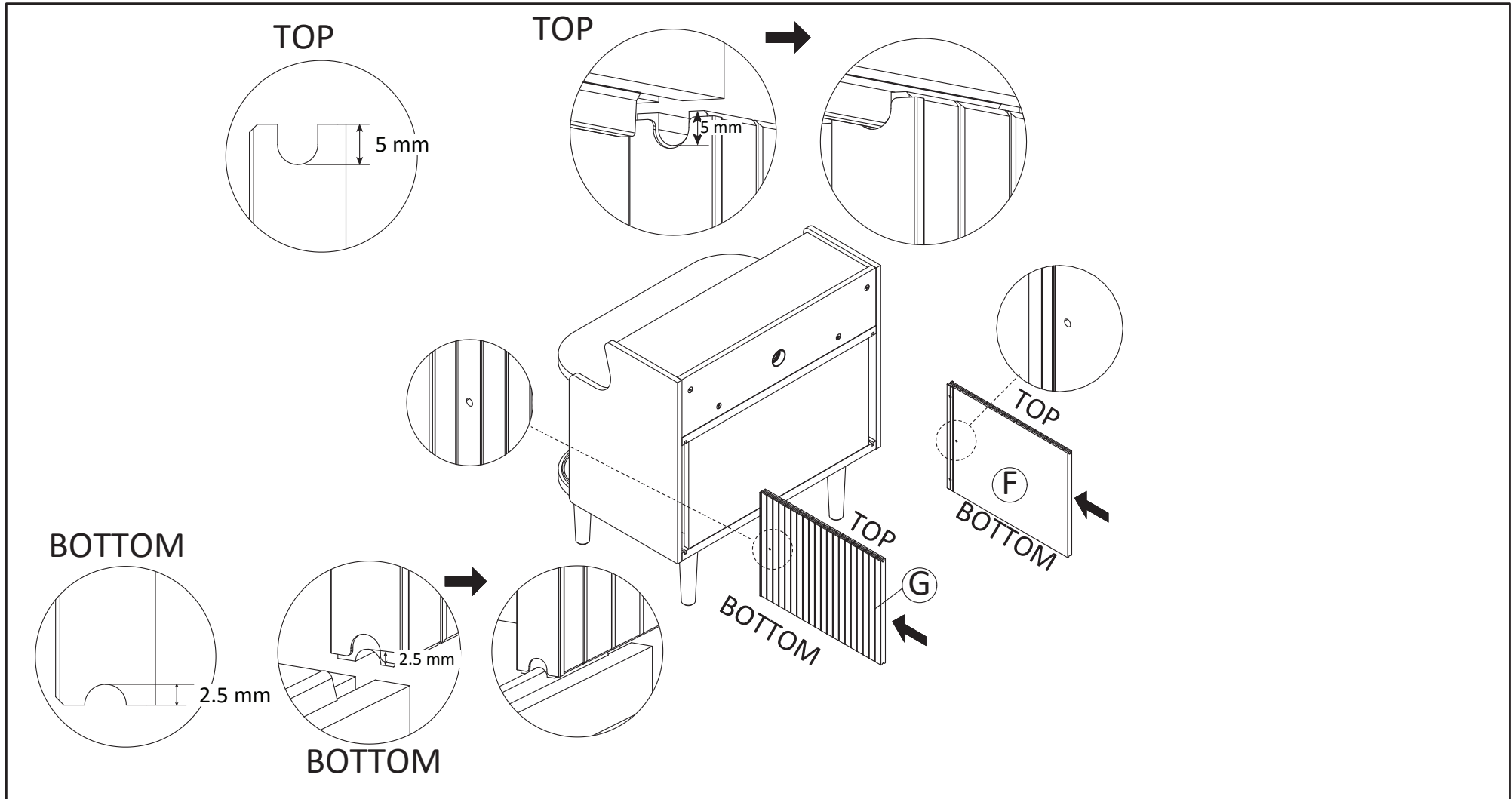


STEP11: Install Side Board Right (D) then tighten Camlock Big (HW3) with Allen Key (HW2) and tighten camlock small (HW4) using screwdriver position as shown in the figure.

STEP12: Insert Camlock small (HW4) using screwdriver position as shown in the figure.

PREPARATION

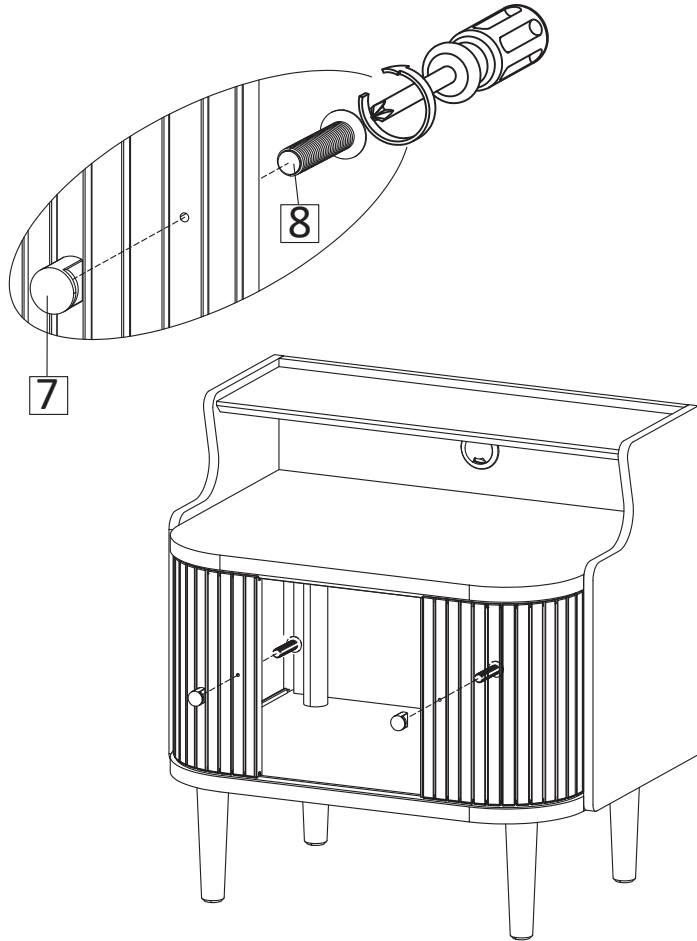
- *Before beginning assembly of product, make sure all parts are present. Compare parts with part contents list and hardware contents list.
- *If any part is missing or damaged, do not attempt to assemble the product.
- *Estimated Assembly Time: 60 minutes.
- *Tools Required for Assembly (included): Allen Key
- *If you are having difficulty, our friendly Customer Care team is always here to help. Please email customersupport@safavieh.com



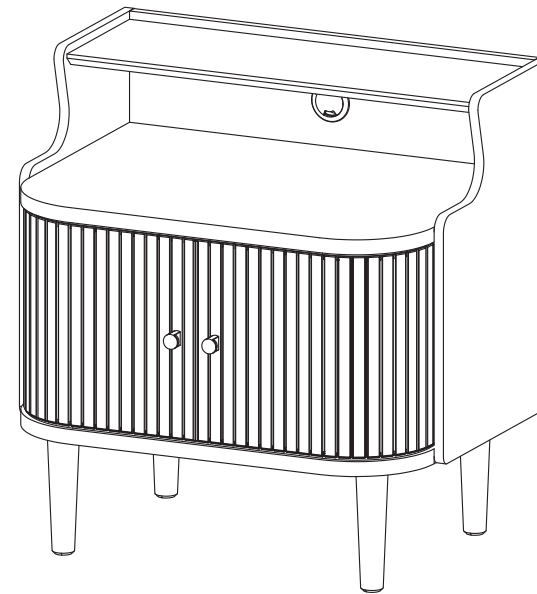
STEP13: Install the Door Left (F) and Door Right (G) into the track. Carefully examine the tambour door. The Top grooving depth 5 mm, and for the Bottom grooving depth 2.5 mm. Slide the door to front until door completely closed position.

PREPARATION

- *Before beginning assembly of product, make sure all parts are present. Compare parts with part contents list and hardware contents list.
- *If any part is missing or damaged, do not attempt to assemble the product.
- *Estimated Assembly Time: 60 minutes.
- *Tools Required for Assembly (included): Allen Key
- *If you are having difficulty, our friendly Customer Care team is always here to help. Please email customersupport@safavieh.com



STEP14: Insert Handle (HW7) secure with Screw M4x18mm (HW8) into the holes on Doors (F&G).



STEP15: Assembly Complete.

TIPPING RESTRAINTS KIT INSTALLATION GUIDANCE

Different wall materials require unique wall fasteners.

The wall plugs (AA2) and screws (AA3) are designed for fixing to concrete walls only.

Please consult your local hardware store to ensure you are using the correct hardware for your wall type.

