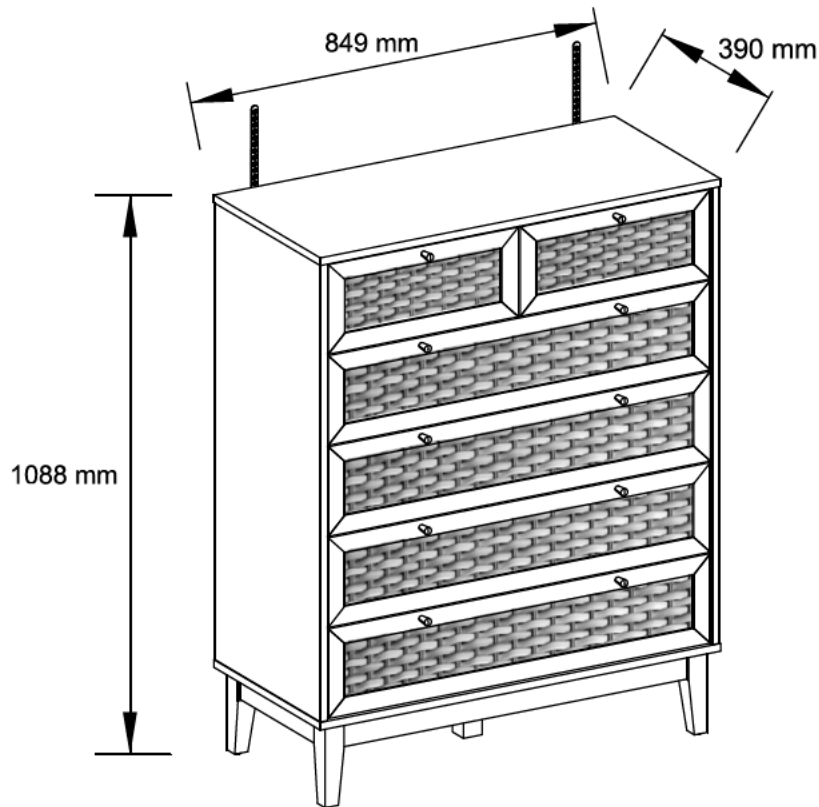



Assembly Instructions - Please keep for future reference








PLEASE KEEP THE ORIGINAL PACKAGING UNTIL THE ITEM IS FULLY ASSEMBLED AND IN PLACE. IN THE UNLIKELY EVENT THAT YOU NEED TO RETURN YOUR PRODUCT, IT MUST BE RETURNED IN ITS ORIGINAL PACKAGING TO AVOID FURTHER DAMAGE. FAILURE TO COMPLY TO THESE PROCEDURES, NO RETURN'S WILL BE ACCEPTED.



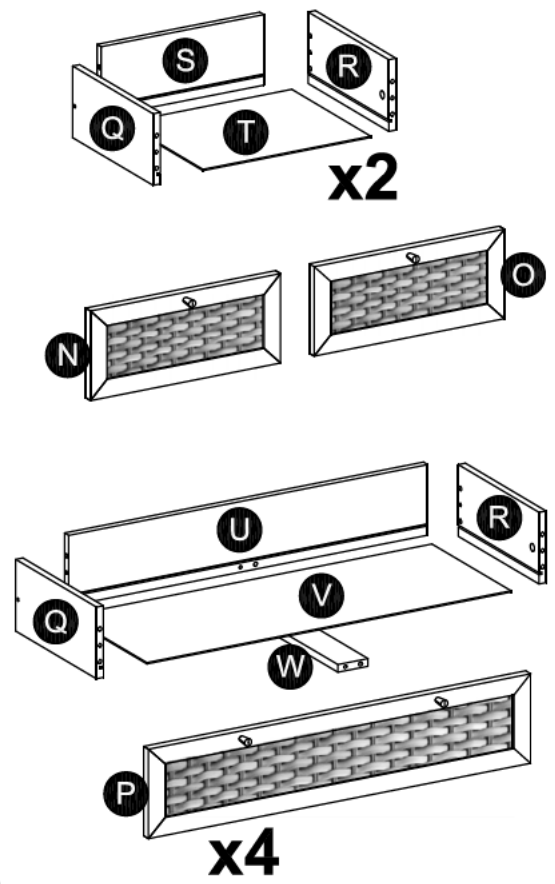
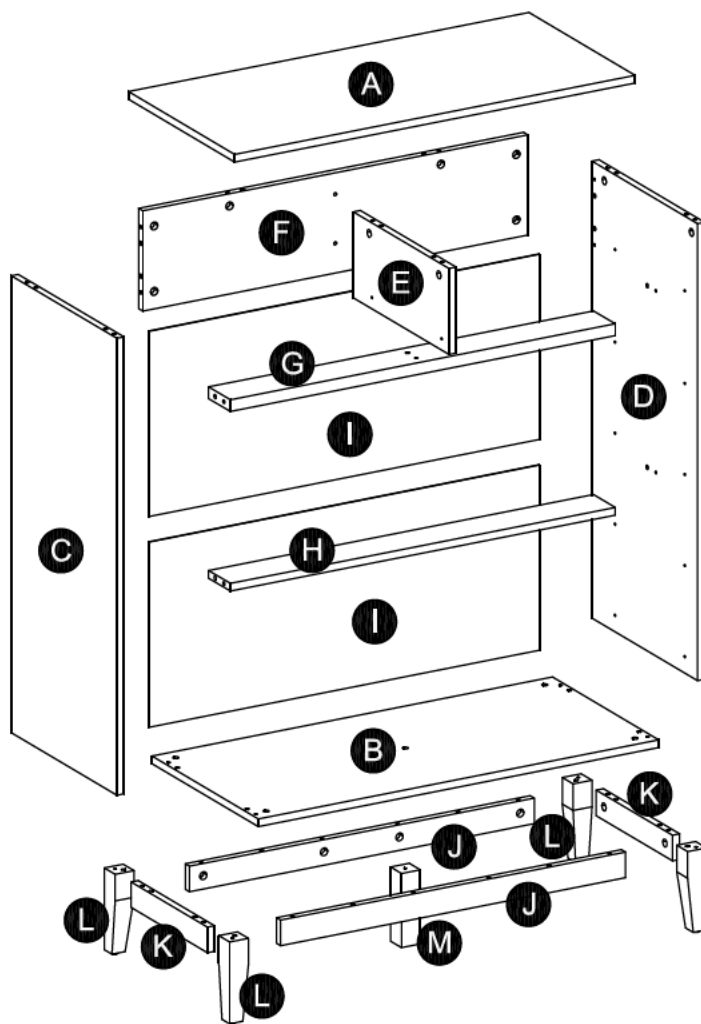
No. people	Assembly Time
	1.5 Hour (approx.)

**" SHOULD IT BE NECESSARY TO RETURN THIS PRODUCT FOR ANY REASON,
IT MUST BE RETURNED IN ITS ORIGINAL PACKAGING"**

Important: Read carefully

-  Please check you have **all parts listed** on your assembly sheet. In the unlikely event that any parts are missing, please contact your retailer immediately.
-  Do not use any other tools than those listed on your assembly sheet / tools provided. Use of power tools could damage your product and returns would not be accepted back in these circumstances. Use of power tools could also make your product unsafe due to overtightening.
-  Depending on the amount of use your product receives, it may be necessary to **tighten the fixings from time to time.**
-  Assemble your product on a soft surface to avoid scratching and **also preferably in the room intended for use** to avoid having to move the product unnecessarily once assembled.
-  For cleaning please use a clean damp cloth or duster. Use of abrasive or chemical cleaners will most likely scratch or damage the surface of your product. We do not accept returns for damages arising from incorrect care of products.
-  Please keep the original packing until your item is fully assembled and in place. In the unlikely event you need to return your product. It must be returned back in its original packing to avoid any damage.
-  The surface of this item is not heat resistant. Please use a mat under hot, cold or wet items to prevent marking.

Exploded View



Components - Panels


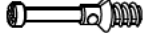


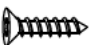
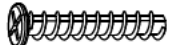



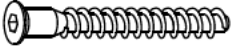


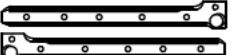
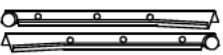



Please check that you have all the components listed below before constructing your items.

Part No	Description	Qty
A	Top Panel	1
B	Bottom Panel	1
C	Slide Panel - L	1
D	Slide Panel - R	1
E	Divider Panel	1
F	Rear Panel	1
G	Top Drawer Support	1
H	Bottom Drawer Support	1
I	Backboard	2
J	Front/Rear Bottom Support	2
K	Side Bottom Support	2
L	Side Leg	4
M	Center Leg	1
N	Top Drawer Front Panel - L	1
O	Top Drawer Front Panel - R	1
P	Drawer Front Panel	4
Q	Drawer Left Panel	6
R	Drawer Right Panel	6
S	Top Drawer Back Panel	2
T	Top Drawer Bottom Panel	2
U	Drawer Back Panel	4
V	Drawer Bottom Panel	4
W	Drawer Bottom Support	4

Components - Fixings

Please check that you have all the components listed below before constructing your items.

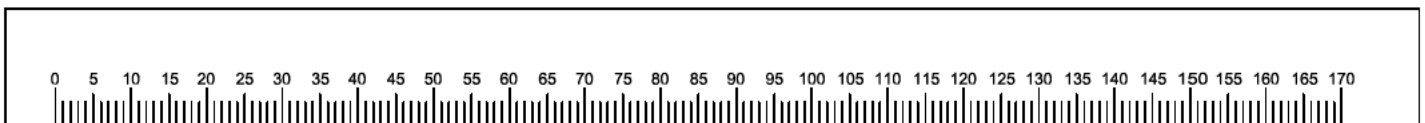
Note: The quantities below are the correct amount to complete the assembly. In some cases more fittings may be supplied than are required.

(A)	Minifix Cam  44 unfts	(B)	Minifix Bolt  44 unfts	(C)	Minifix Cover  24 unfts	(D)	Dowel M8 x 32mm  89 unfts
(E)	Screw M6 x 13mm  24 unfts	(F)	Screw M10 x 33.5mm  23 unfts	(G)	Screw M6 x 8mm  24 unfts	(H)	Screw M3 x 12mm  2 unfts
(I)	Screw M4 x 22mm  10 unfts	(J)	Screw M6.3 x 50mm  5 unfts	(K)	Handle  10 unfts	(L)	Allen Key  1 unfts
(M)	Drawer Slide  6 unfts	(N)	Drawer Slide  6 unfts	(O)	Nail  22 unfts	(P)	Anti-tip Bracket  2 unfts
(Q)	Cap  5 unfts						

Tools Required

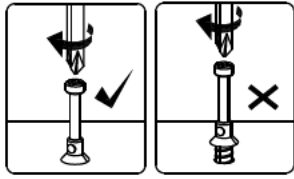


Ruler - Use this to measure your screws (mm)

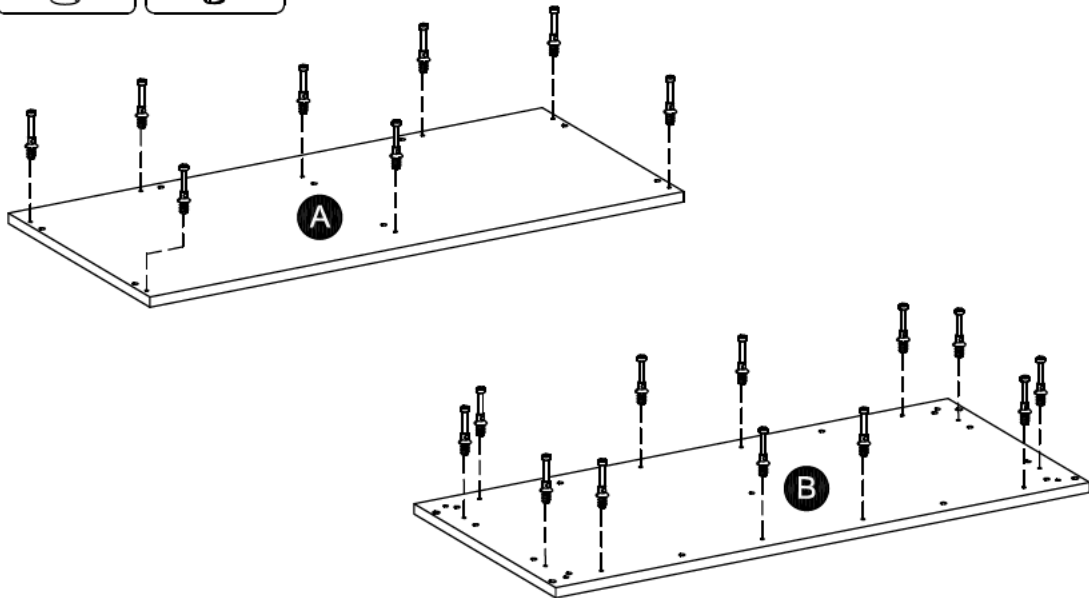


Assembly Instructions

Step 1



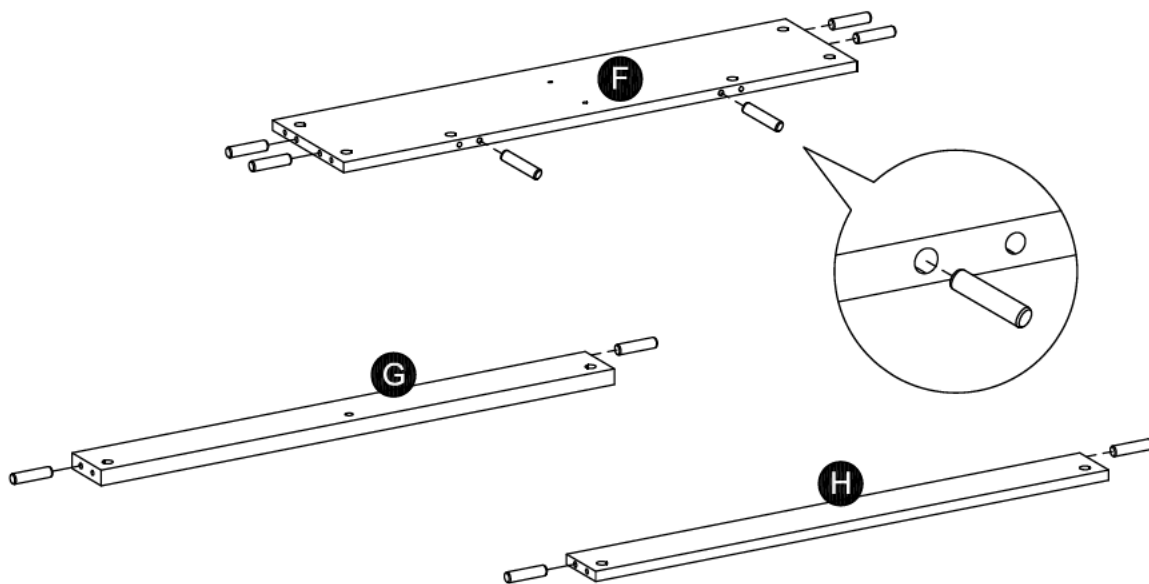
B x 20






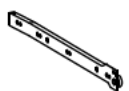
Step 2

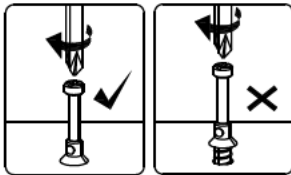
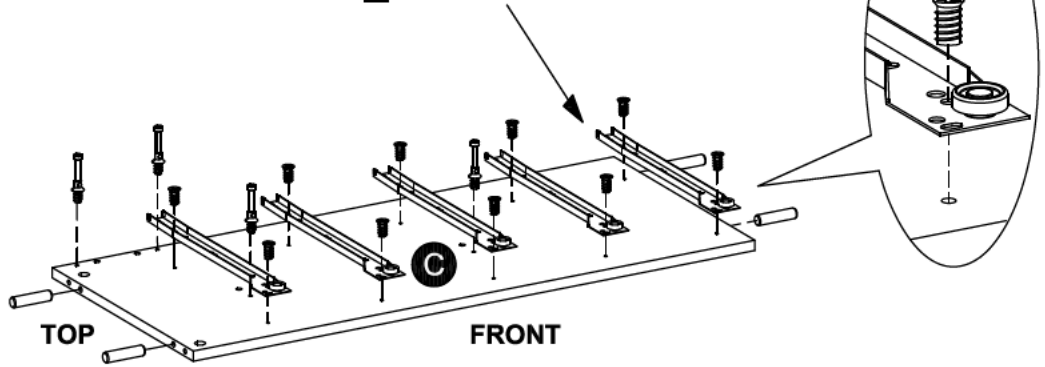
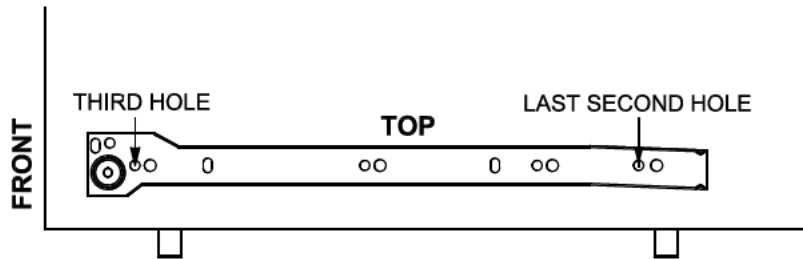


D x 10




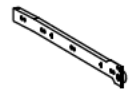


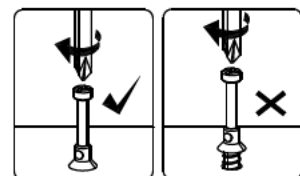
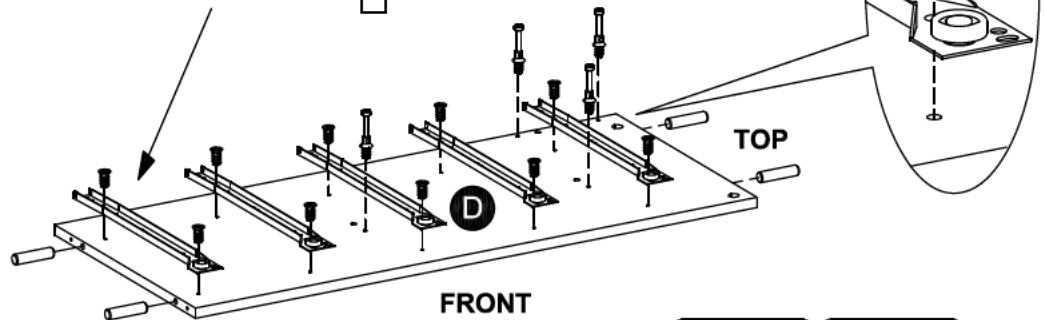
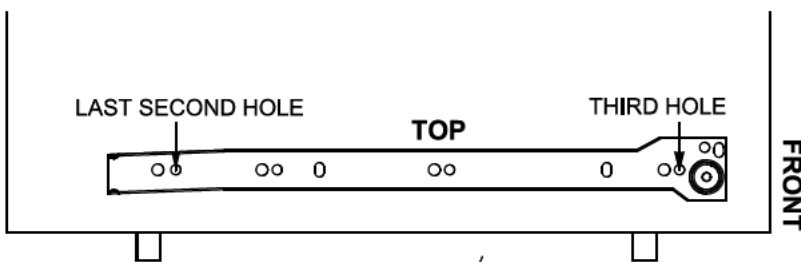
Step 3

			
B x 4	D x 4	G x 10	M x 5






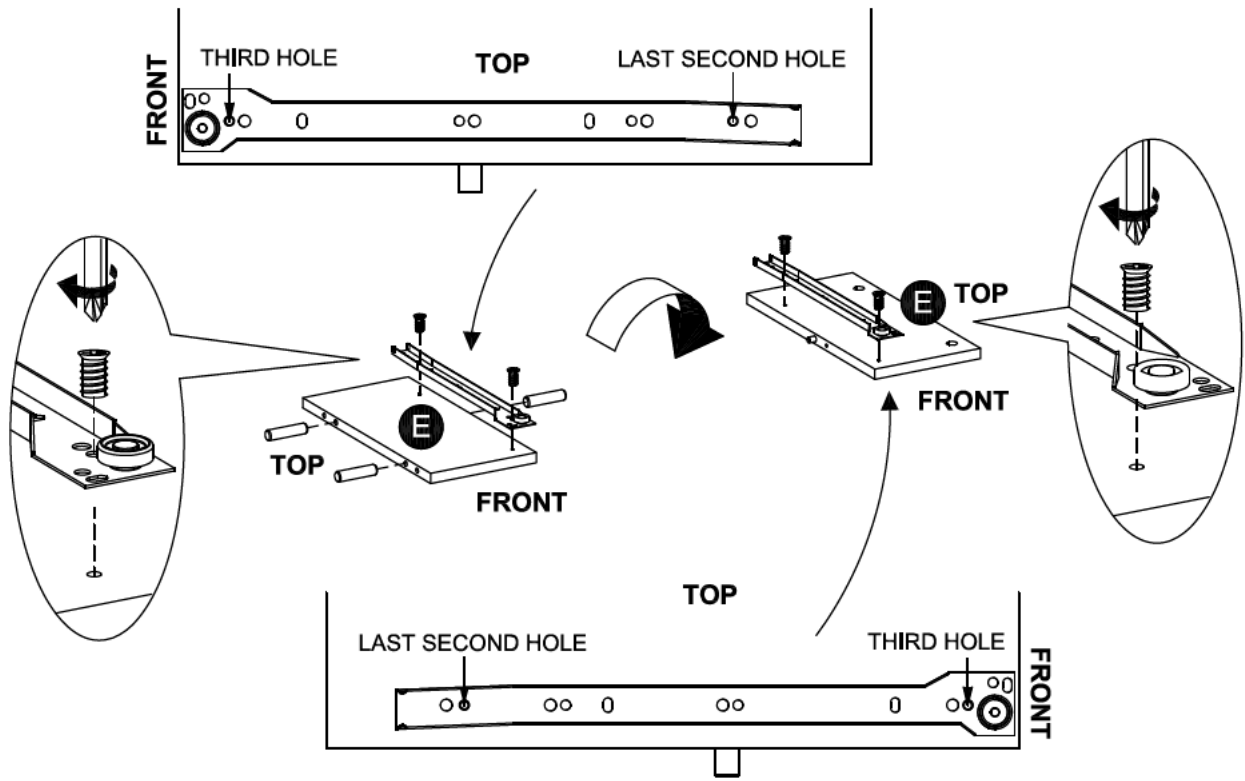
Step 4

			
B x 4	D x 4	G x 10	M x 5




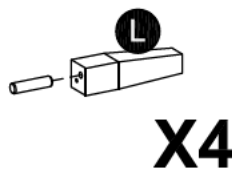
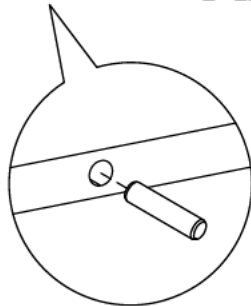
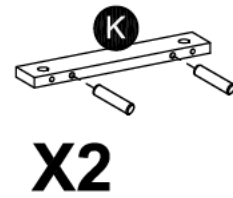
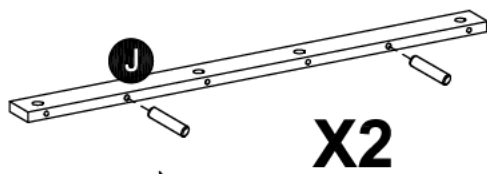
Step 5

		
D x 3	G x 4	M x 1





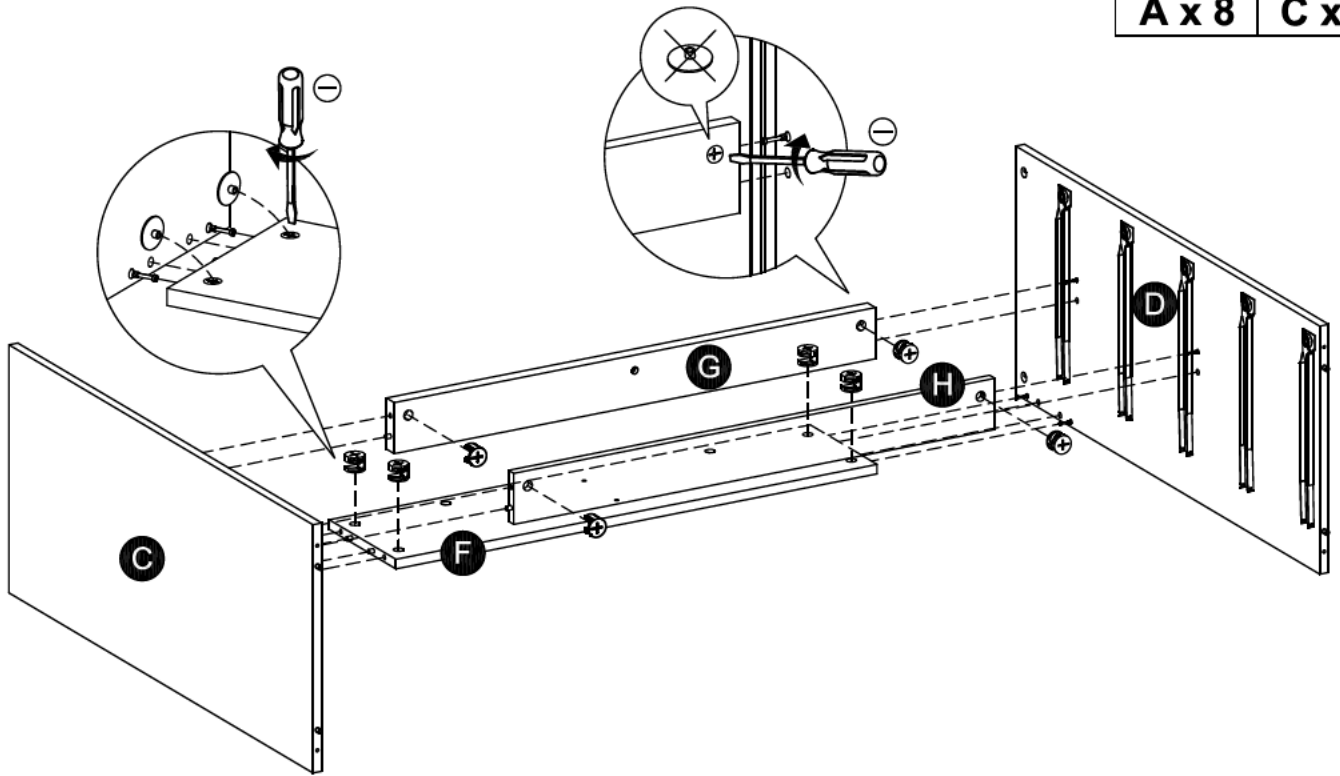
Step 6


D x 12





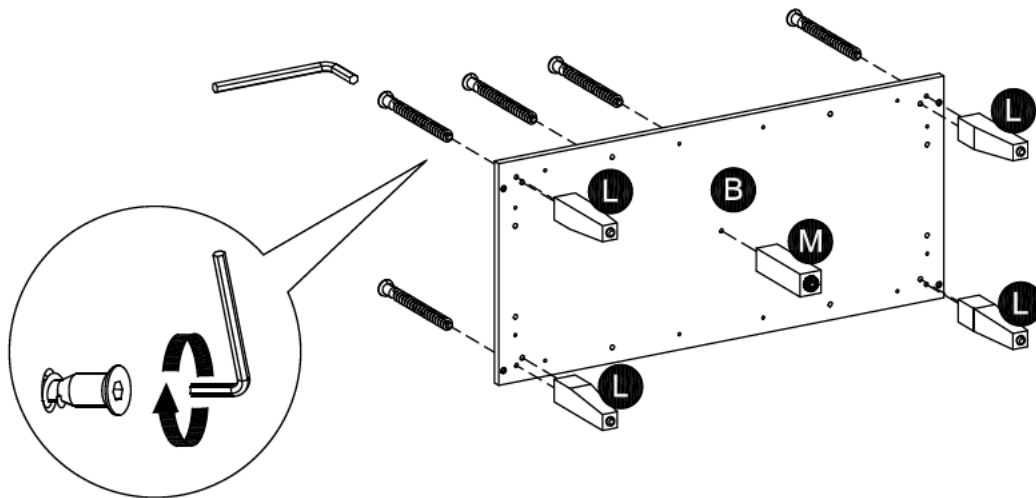
Step 7

	
A x 8	C x 4



Step 8

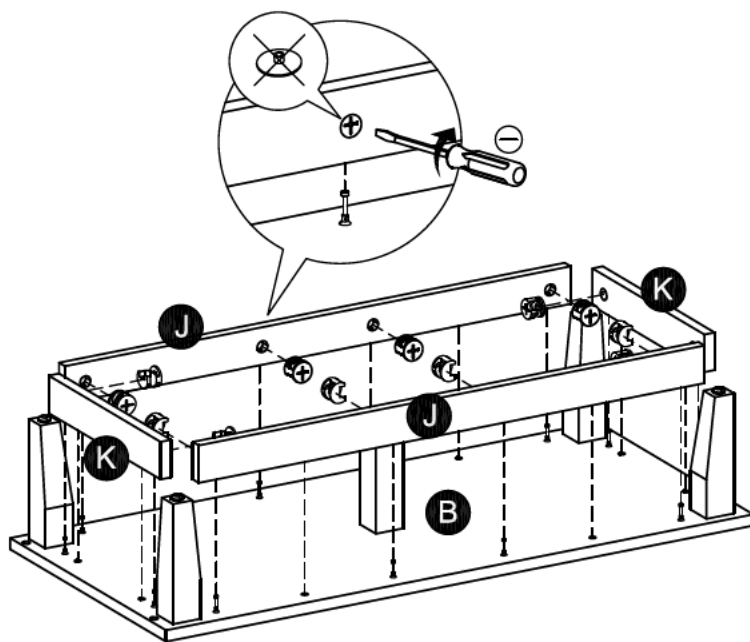
	
J x 5	L x 1



Step 9



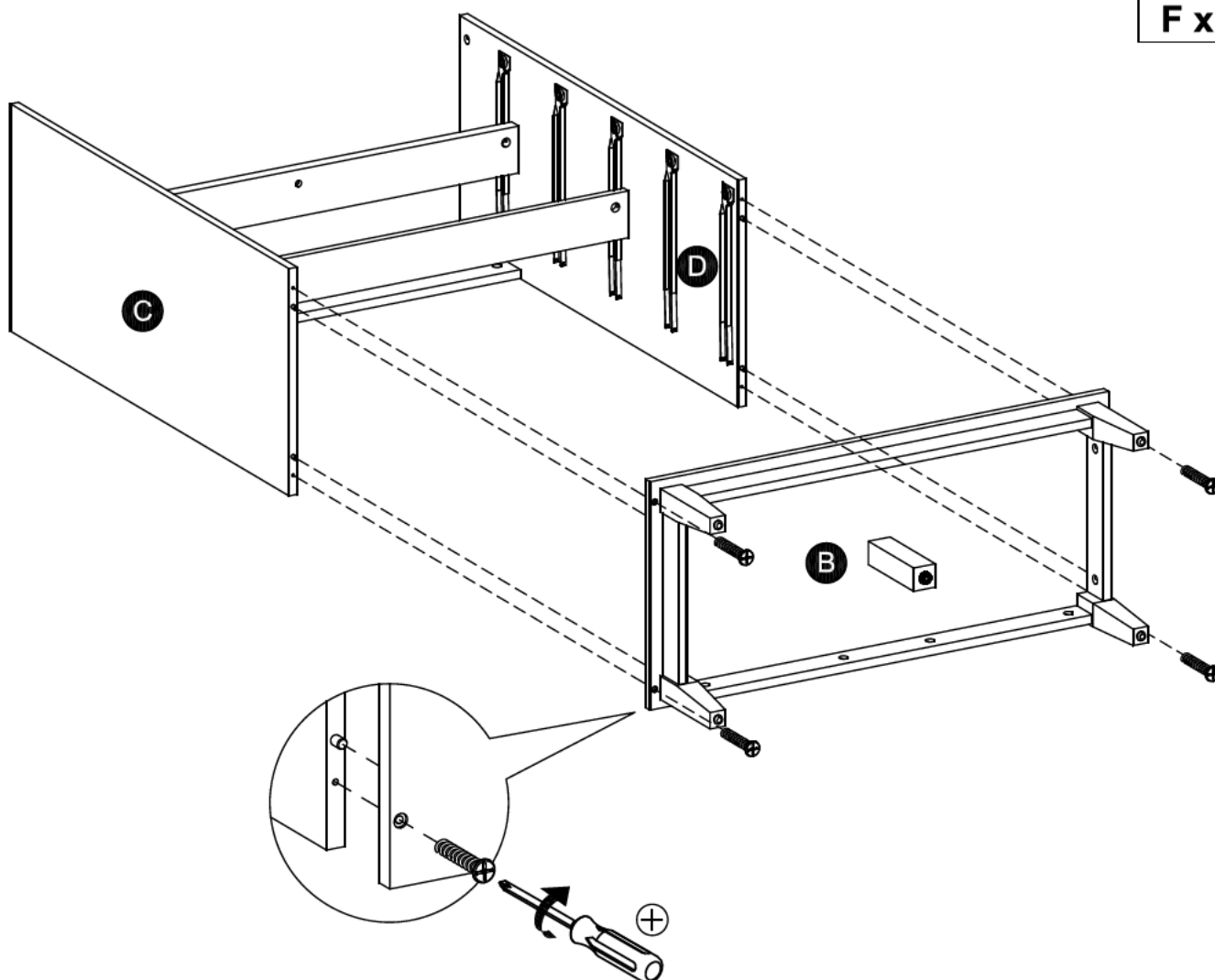
A x 12



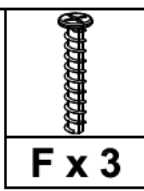
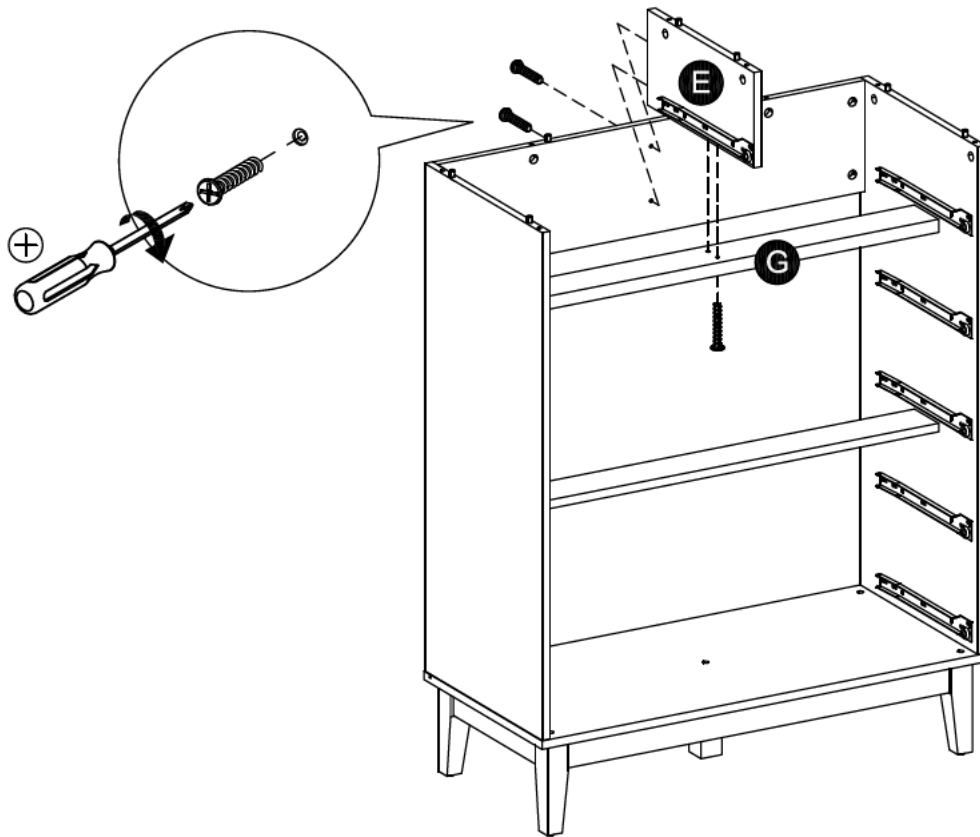
Step 10



F x 4

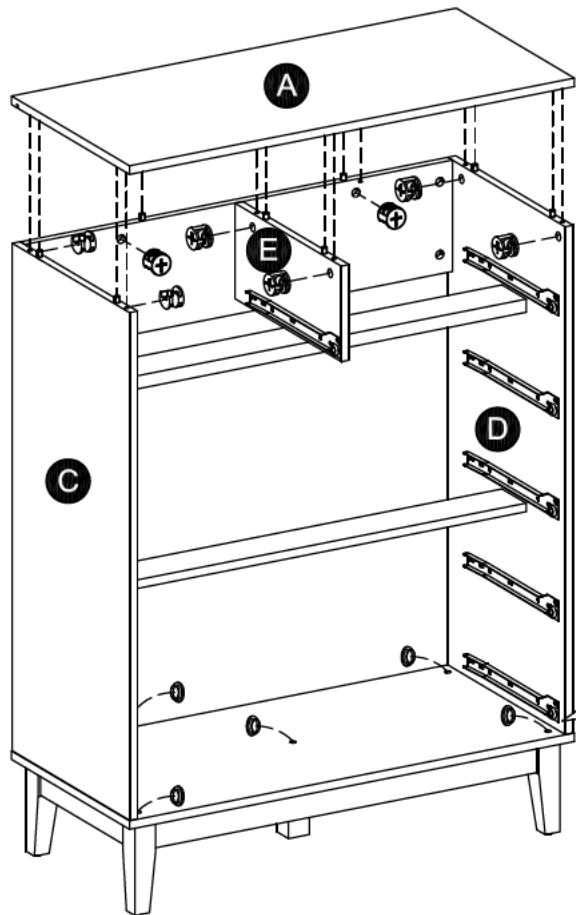


Step 11

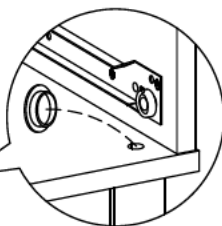
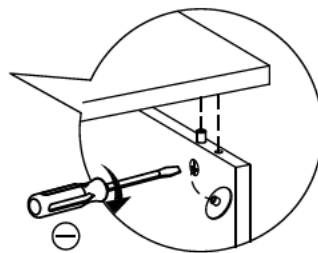


F x 3




Step 12

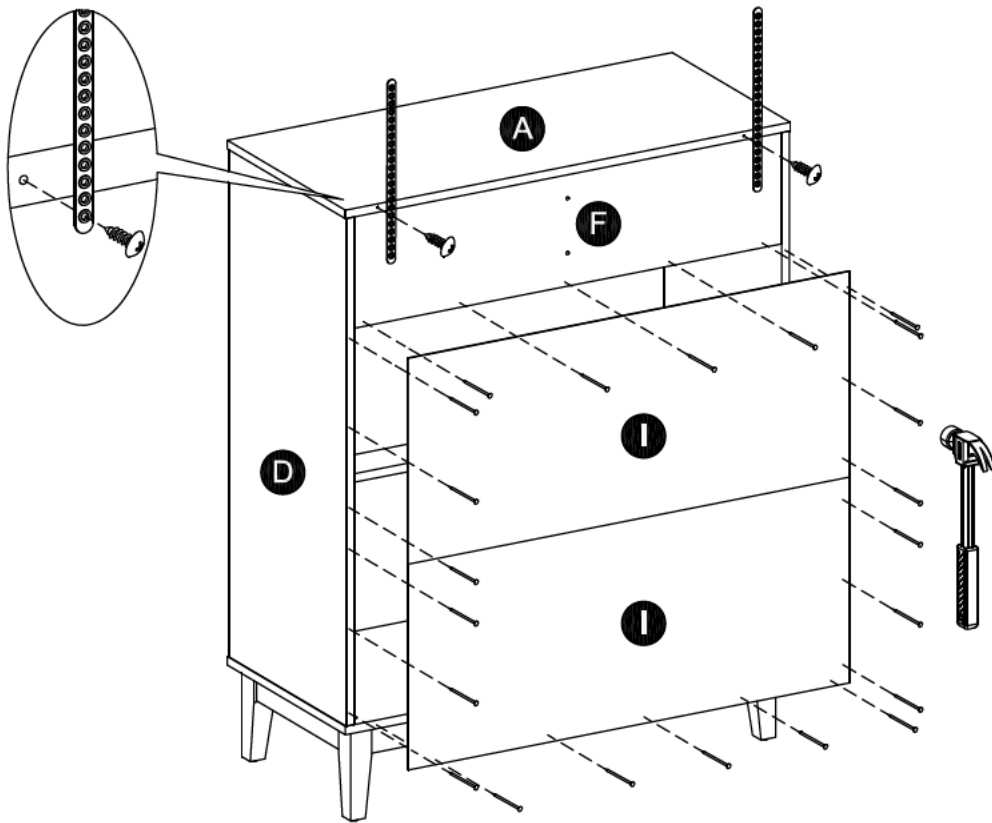


A x 8	C x 8	Q x 5

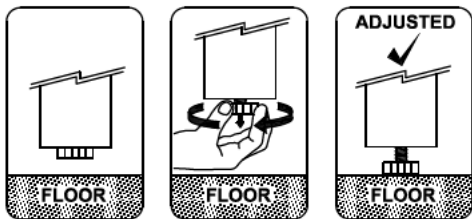


Step 13

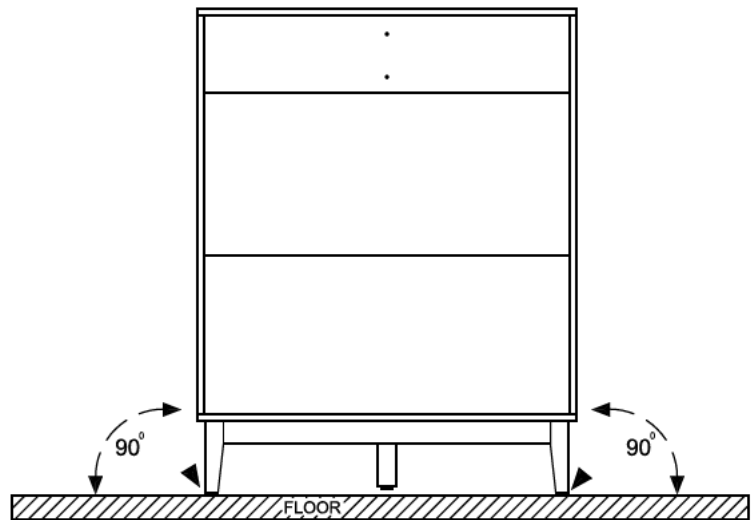
		
H x 2	O x 22	P x 2







ADJUSTABLE FEET

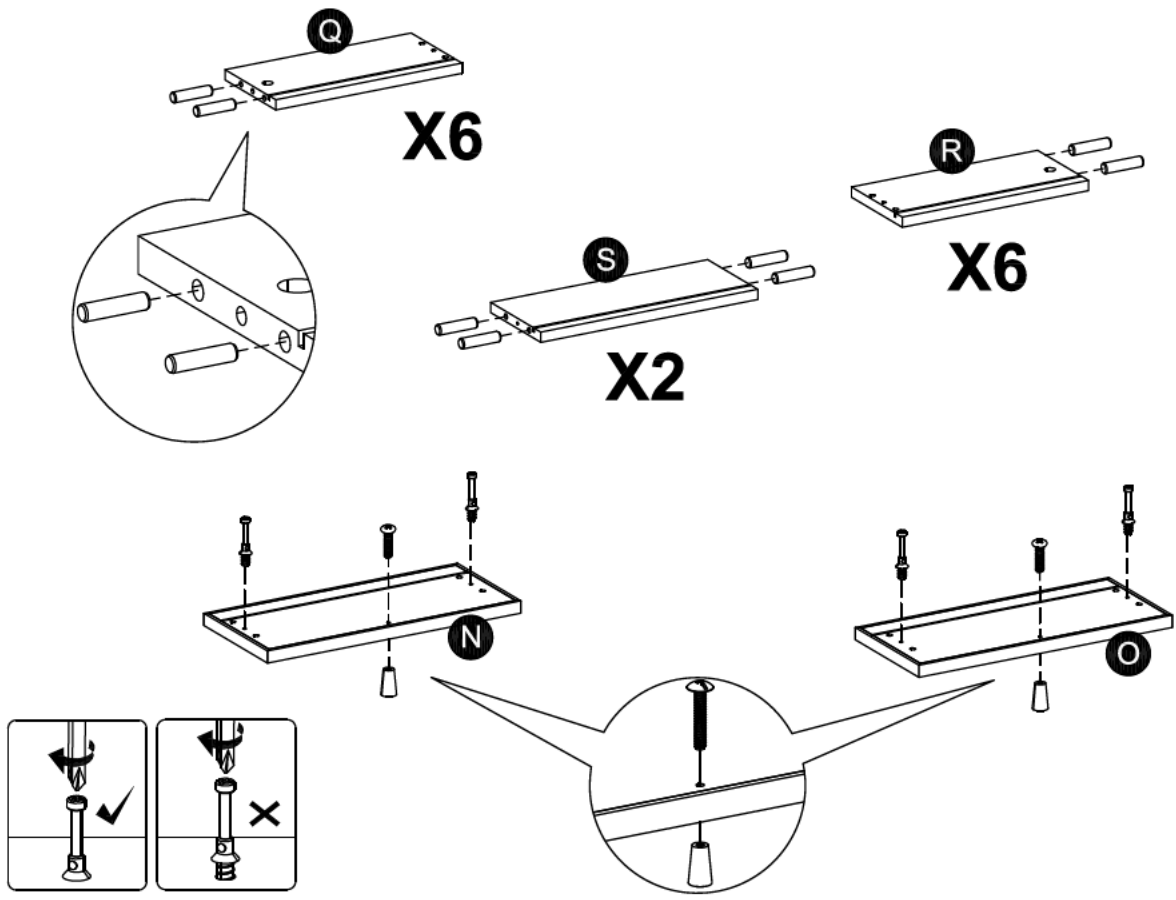


CENTER LEG ADJUSTMENT MAY BE REQUIRED ON UNFLAT FLOOR




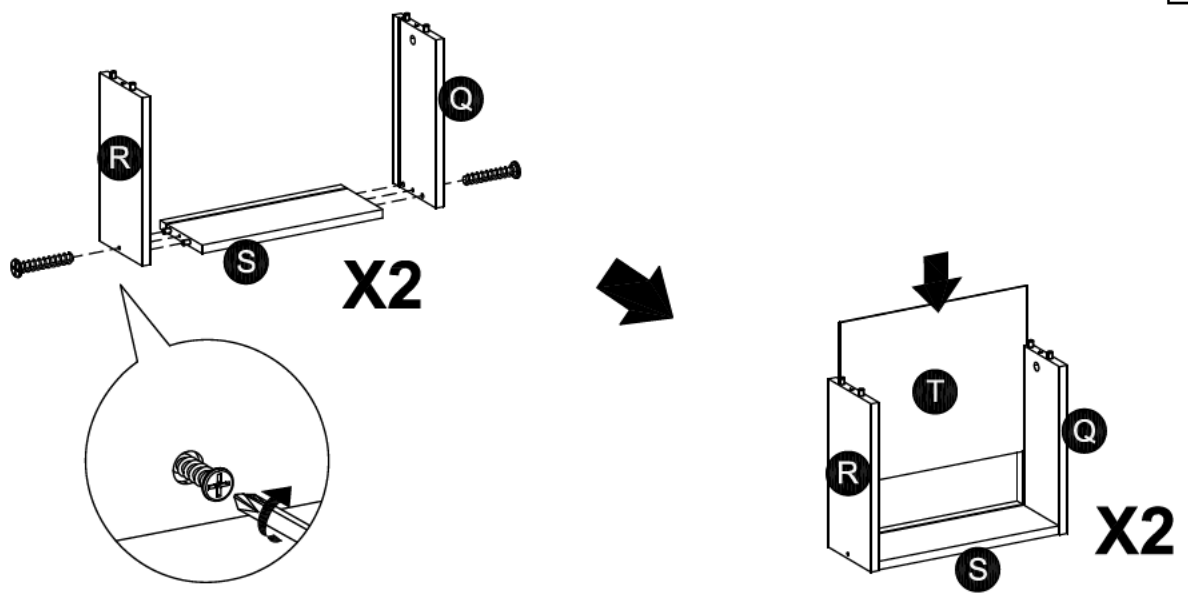
Step 14

			
B x 4	D x 32	I x 2	K x 2



Step 15


F x 4

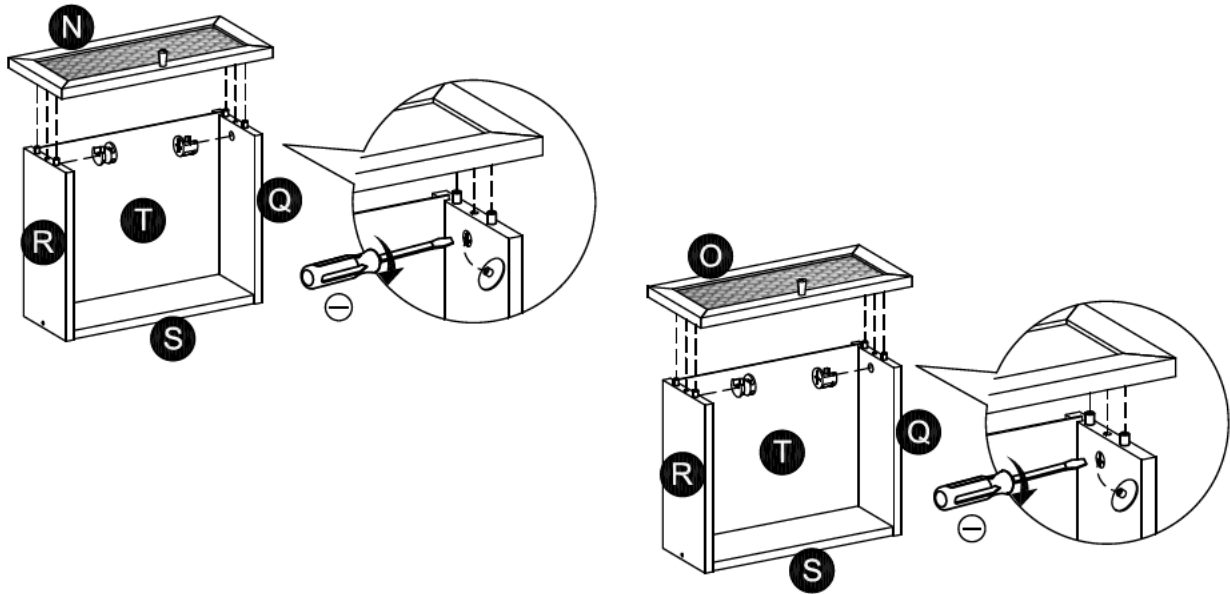


Step 16

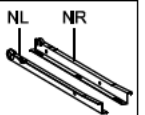


A x 4

C x 4

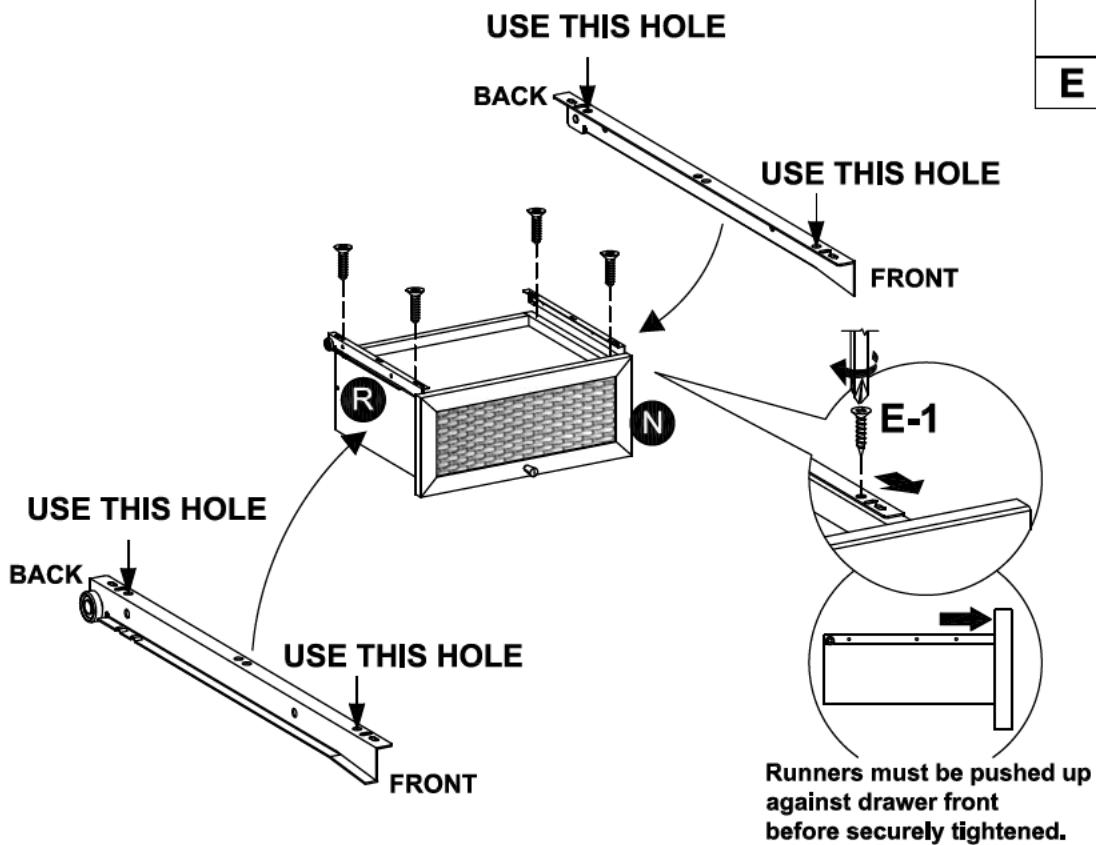


Step 17


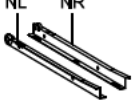


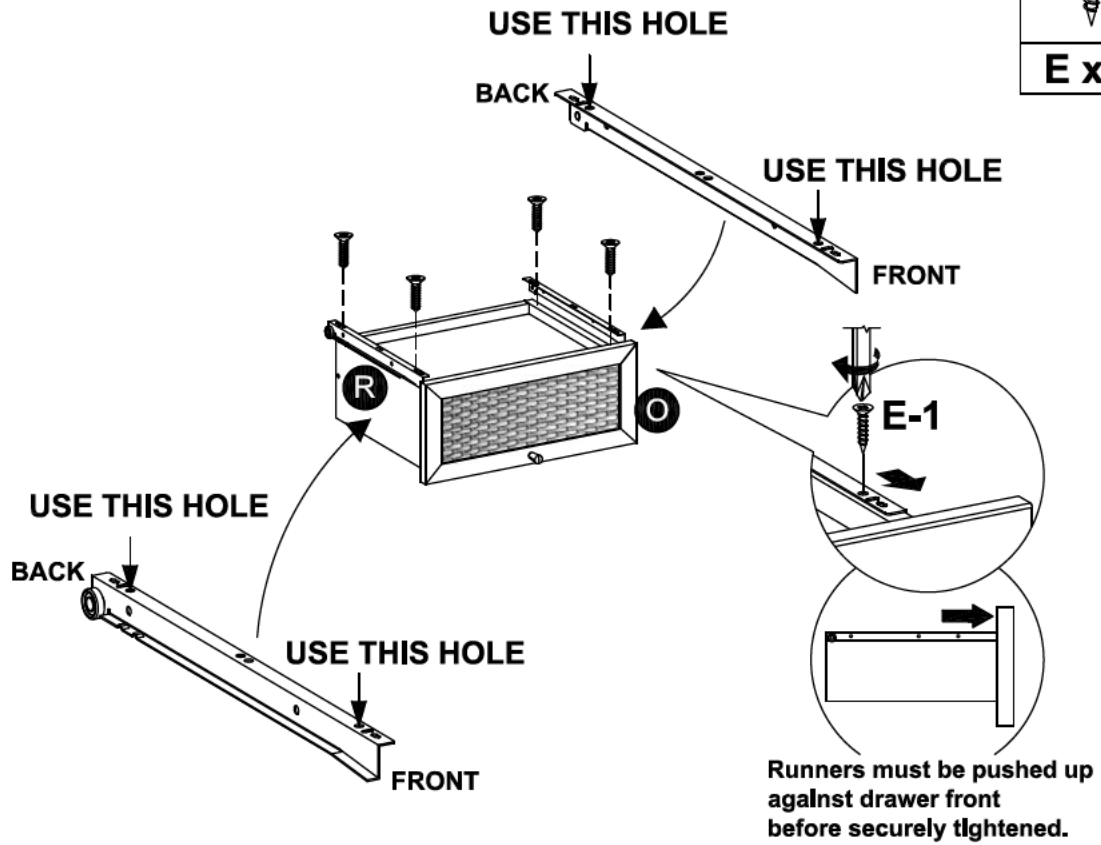
E x 4

NL
NR
N x 1

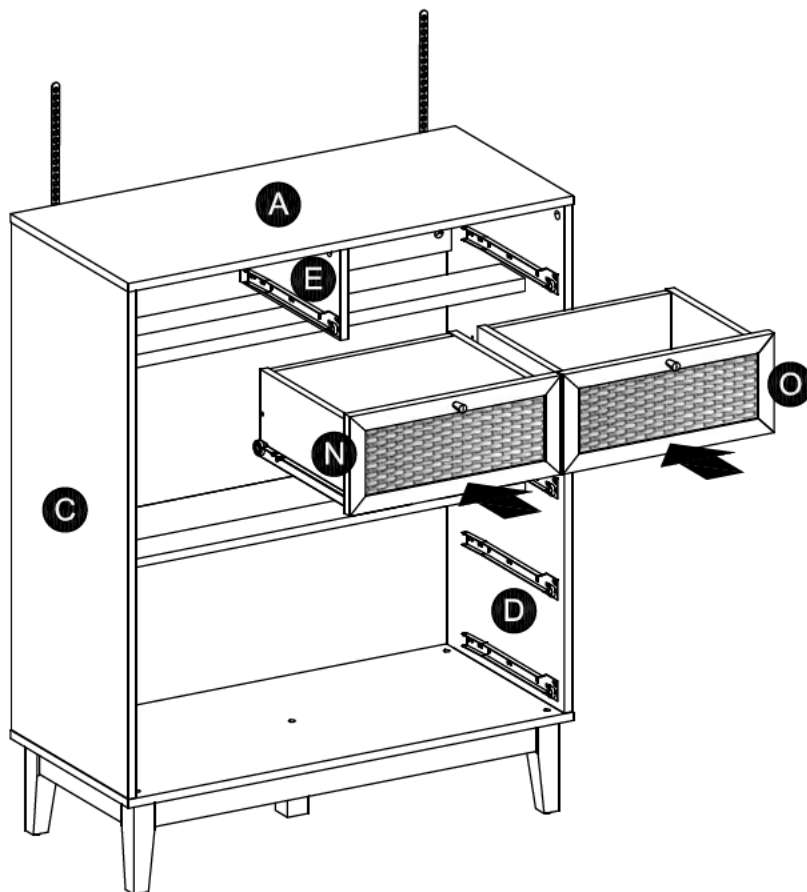


Step 18





	
E x 4	N x 1

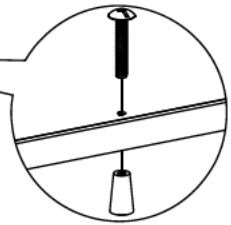
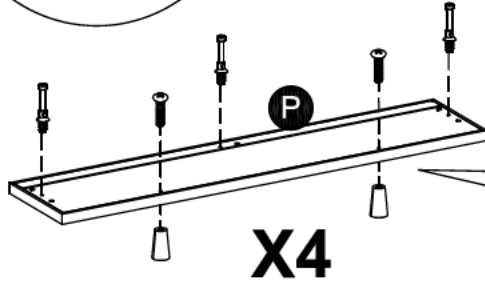
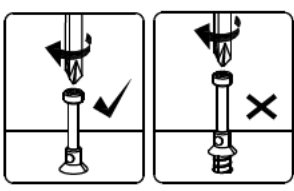
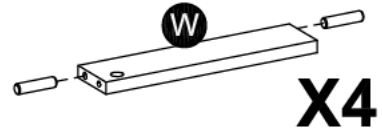
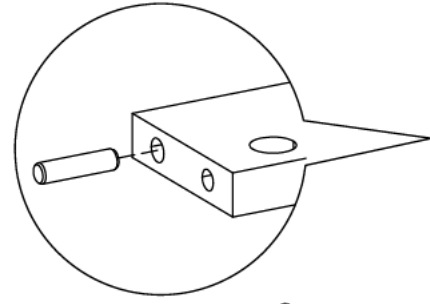
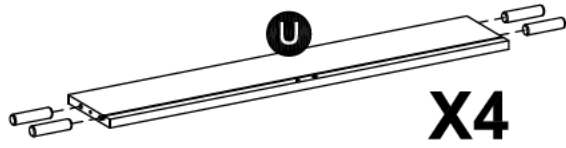


Step 19




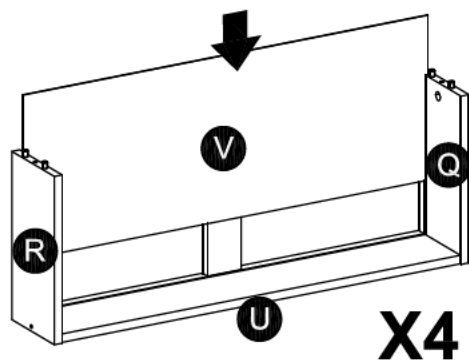
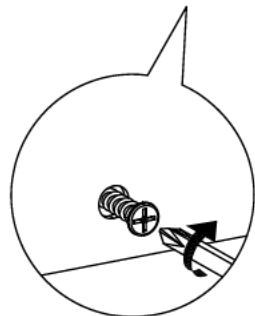
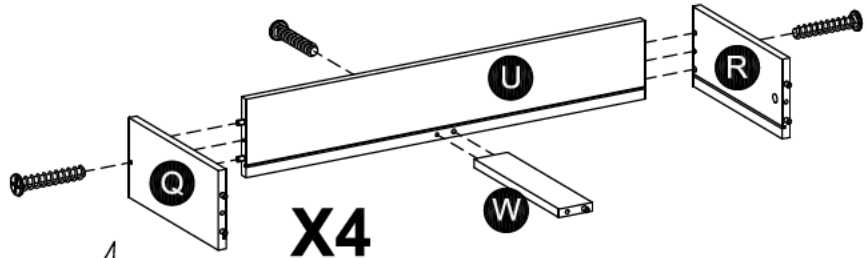
Step 20

			
B x 12	D x 24	I x 8	K x 8





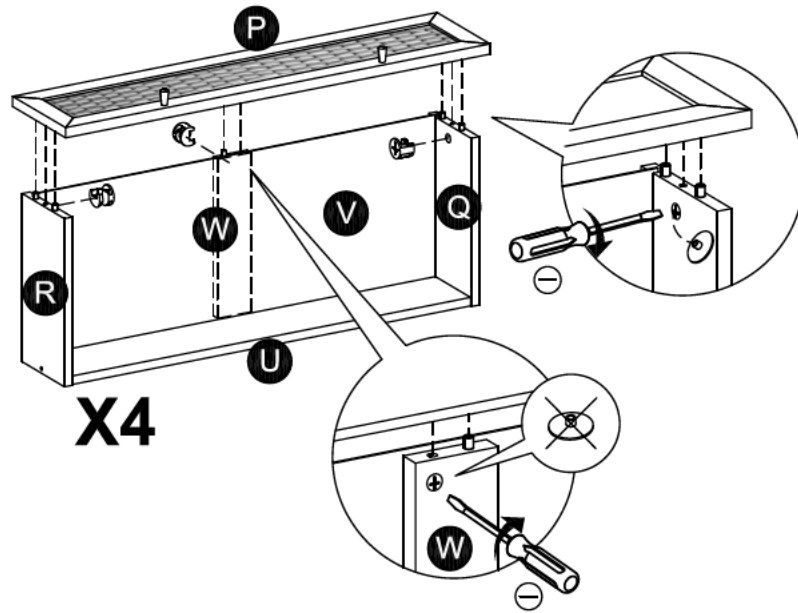
Step 21


F x 12


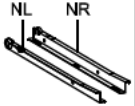


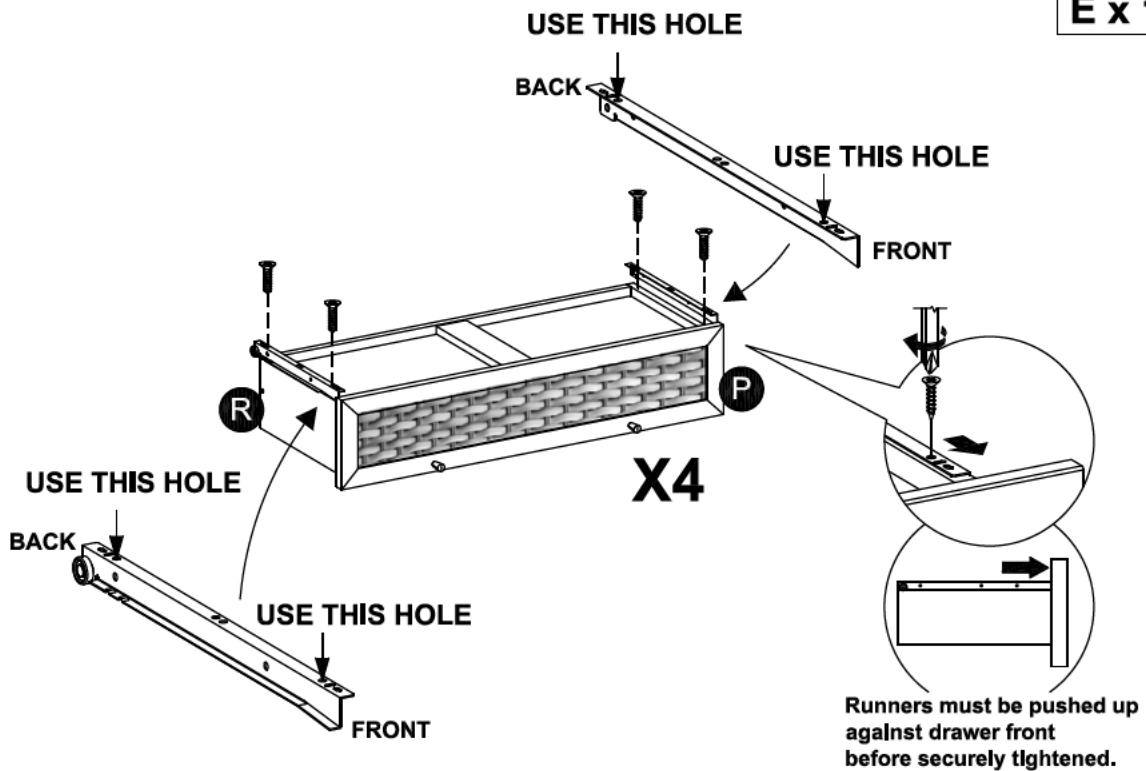
Step 22

	
A x 12	C x 8

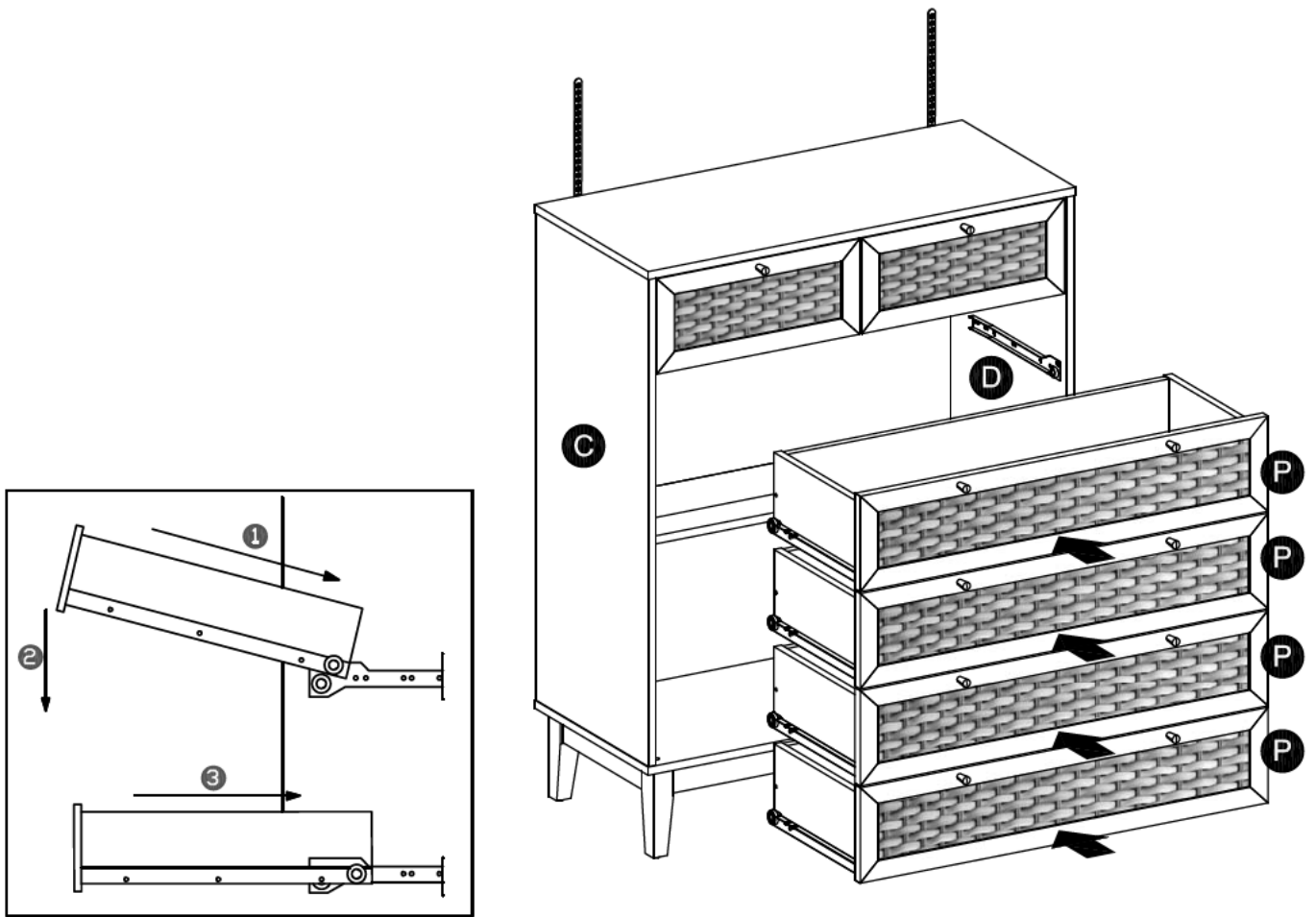


Step 23

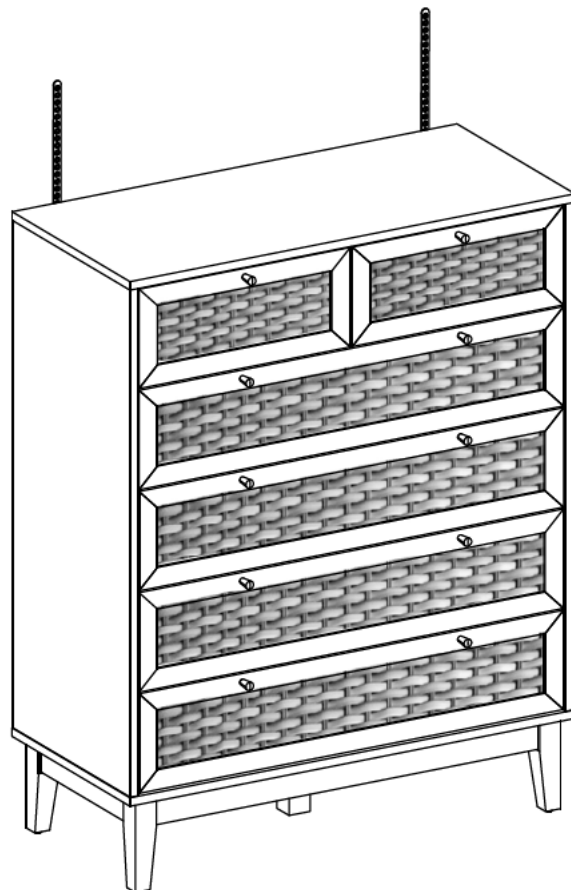
	
E x 16	N x 4



Step 24



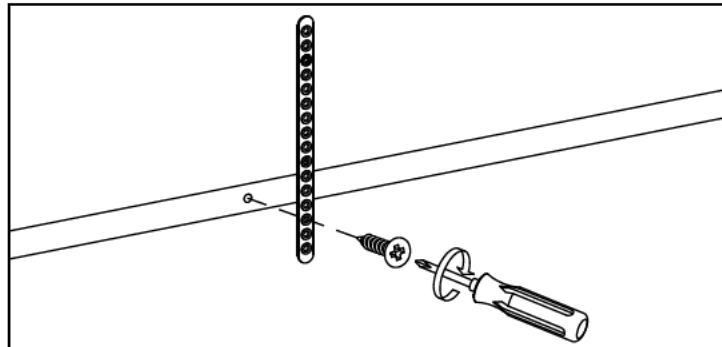
Step 25



FITTING OF ANTI-TIP BRACKET

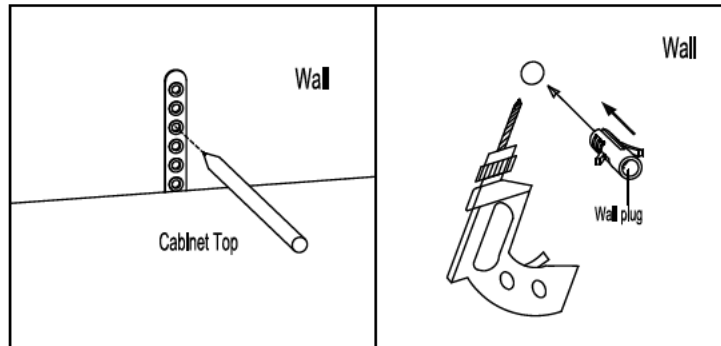
STEP 1:

Pull the screw in the top panel hole of your furniture



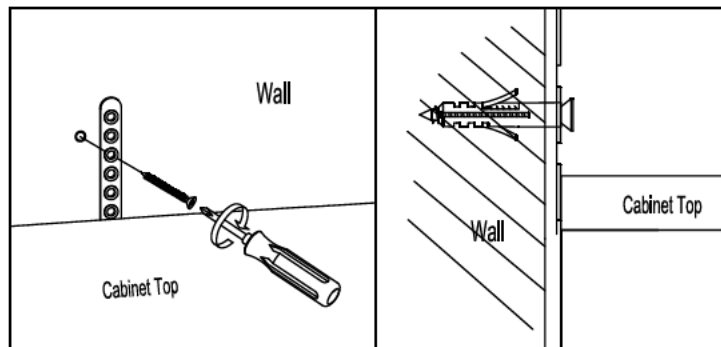
STEP 2:

Make a hole on the wall and pull the wall plug in



STEP 3:

Pull the screw in the wall plug hole



NOTE: Wall fixings are not supplied with this product as different wall materials require different types of fixing devices (such as Rawl plugs on brick work). You must use fixing devices suitable for the type of wall you intend to mount this product to. Please ensure that the head of any screw used has a diameter greater than the diameter of the mounting hole on the product and that the fixing is safe and secure before use.

The brackets and screws which to fix the bracket on to the furniture are provided only.

HARDWARE LIST



Anti-tip bracket = 2 Pcs



Screw 3 x 12 MM = 2 Pcs