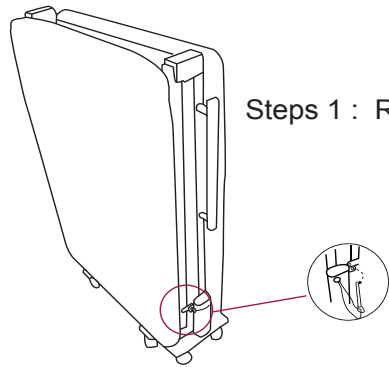
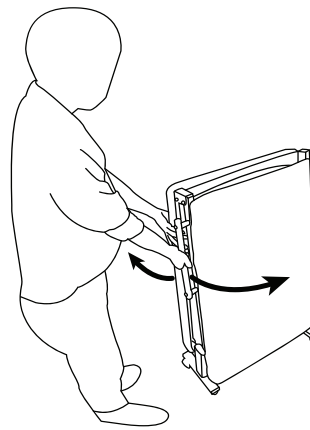


# Assembly Instructions

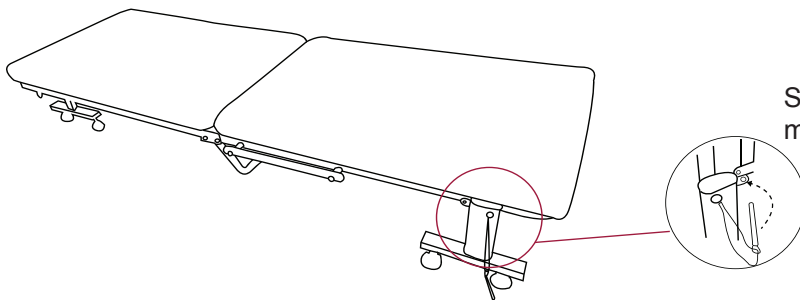
Thank you for purchasing this quality product. Be sure to check all the packing material carefully for small parts that may have come loose inside the carton during shipment.



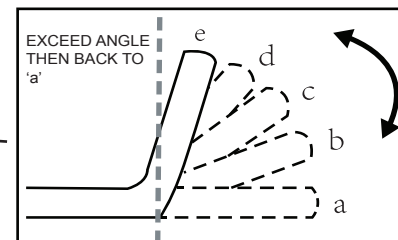
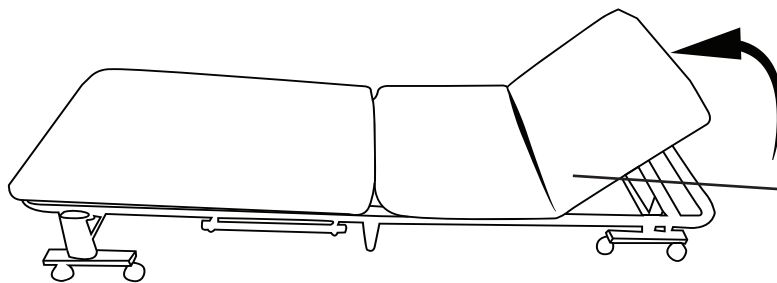
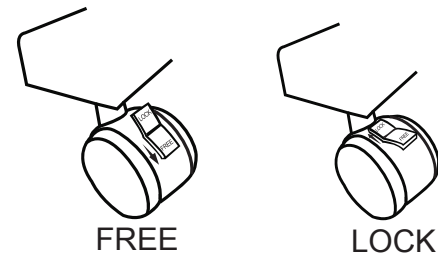
Steps 1 : Remove the bolt for both side.



Steps 2: Please hold the handrail, don't loosen it , open it slowly and watch your hands.



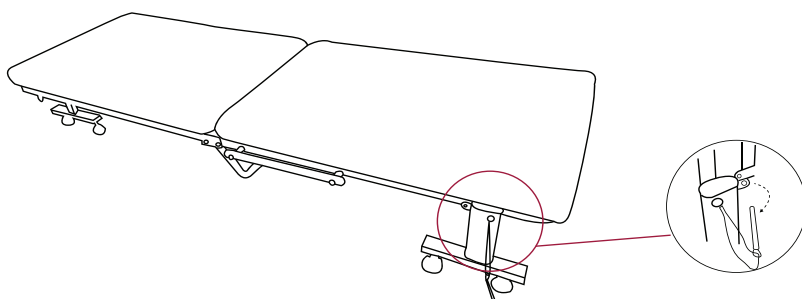
Steps 3: Plug in bolt for both side after opening the bed, and make sure the wheels are in LOCK condition.



EXCEED ANGLE THEN BACK TO 'a'

Steps 4: Adjust the angle from 'a' to 'e' to choose the most comfortable feeling that you like.

**ATTENTION:** When adjusting the angle from 'e' to 'a', you should make sure the angle has exceeded the angle 'e', then can back to angle 'a', the wrong operation will make the angle broken.



Steps 5: Remove the bolt again and make sure the wheels are in FREE condition when you want to put away the bed. Hold the handrail, close the bed, plug in bolt , then you can take it away easily.

