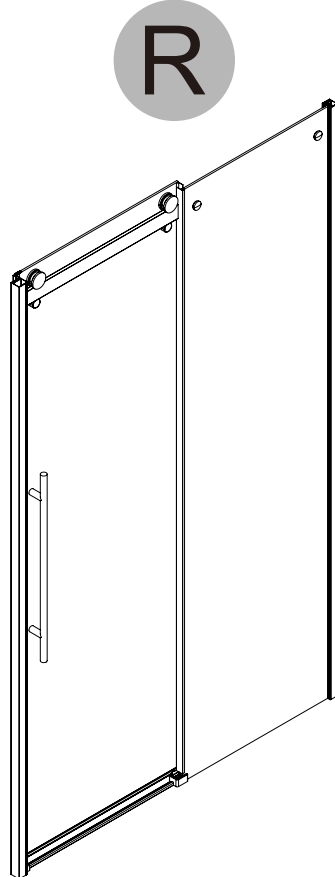
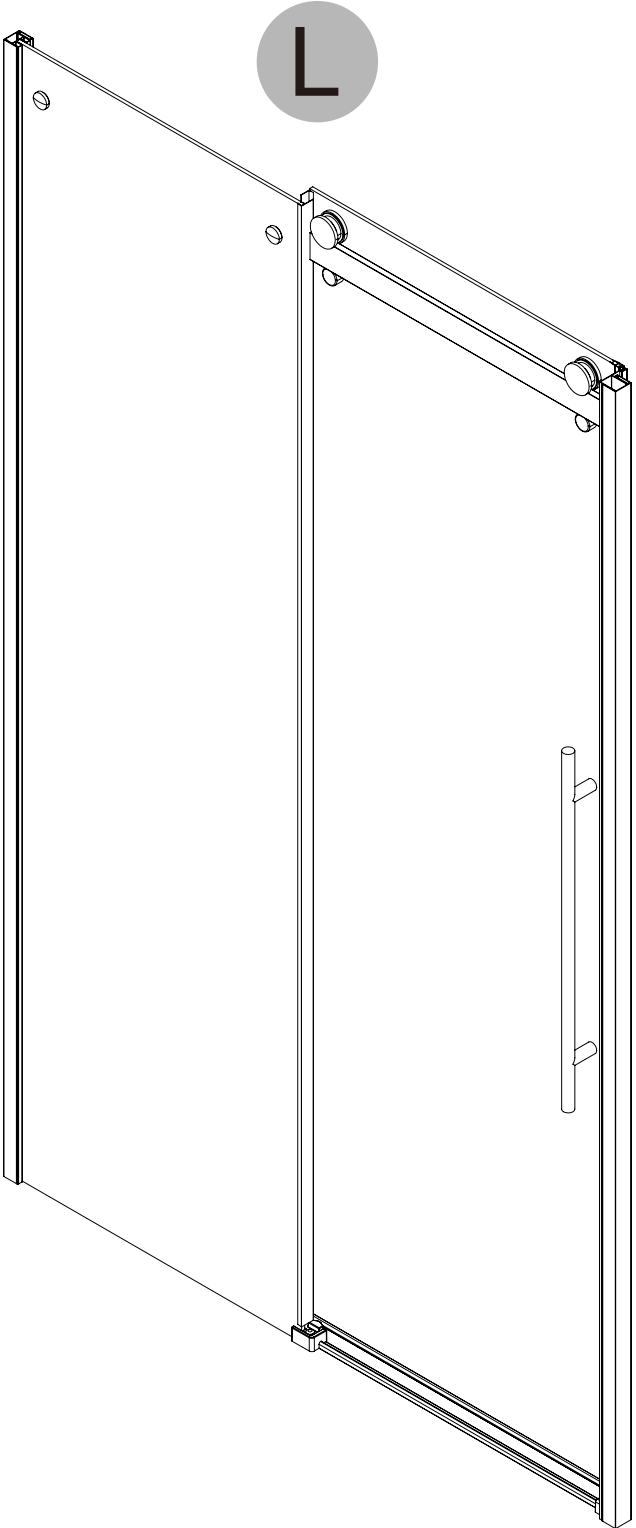
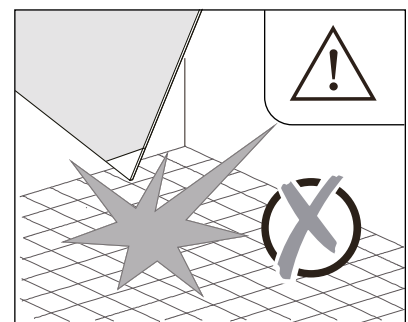
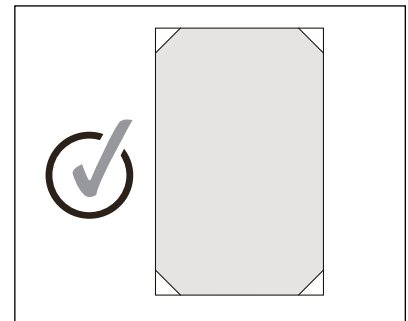
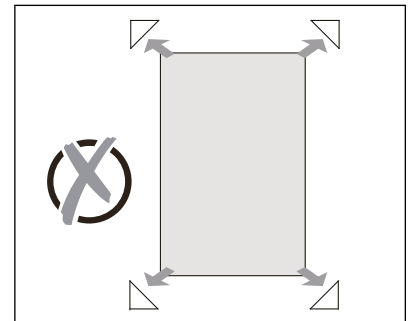
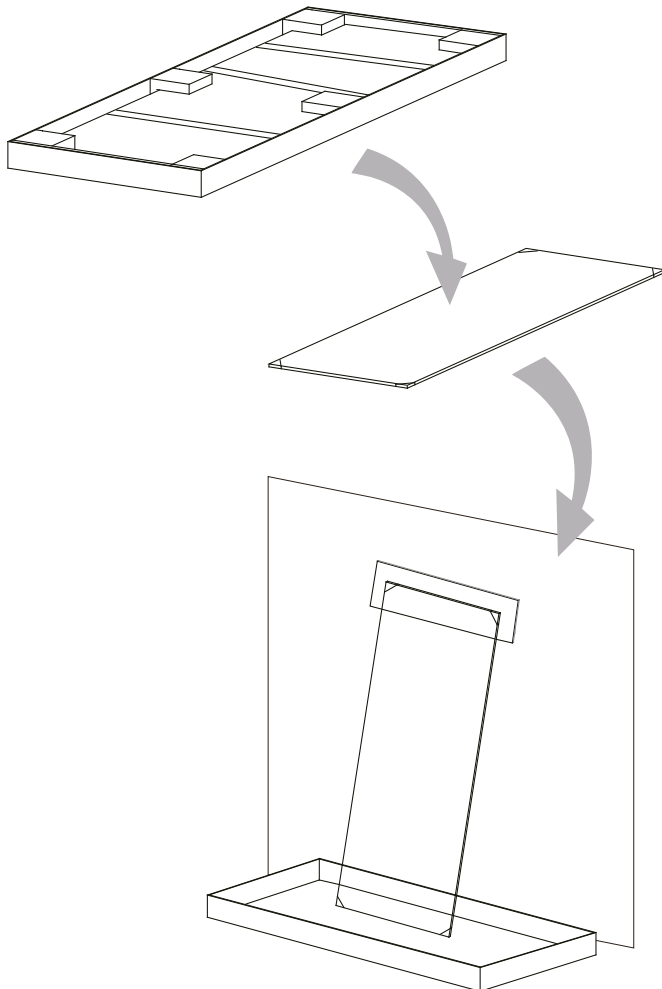
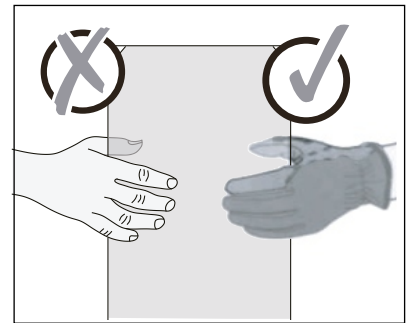
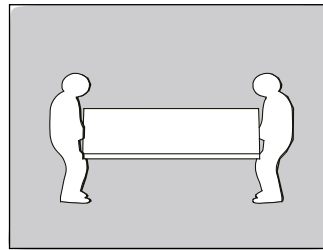
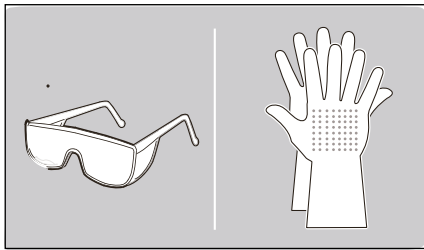
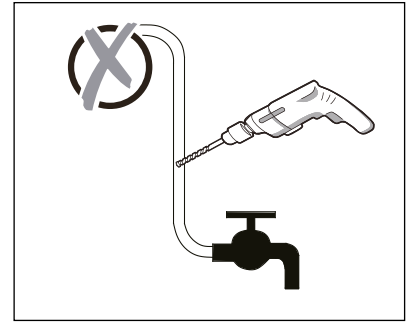
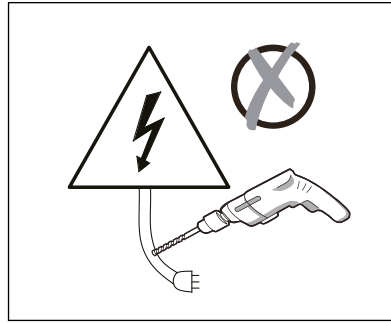
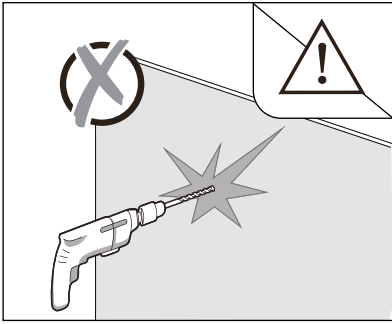
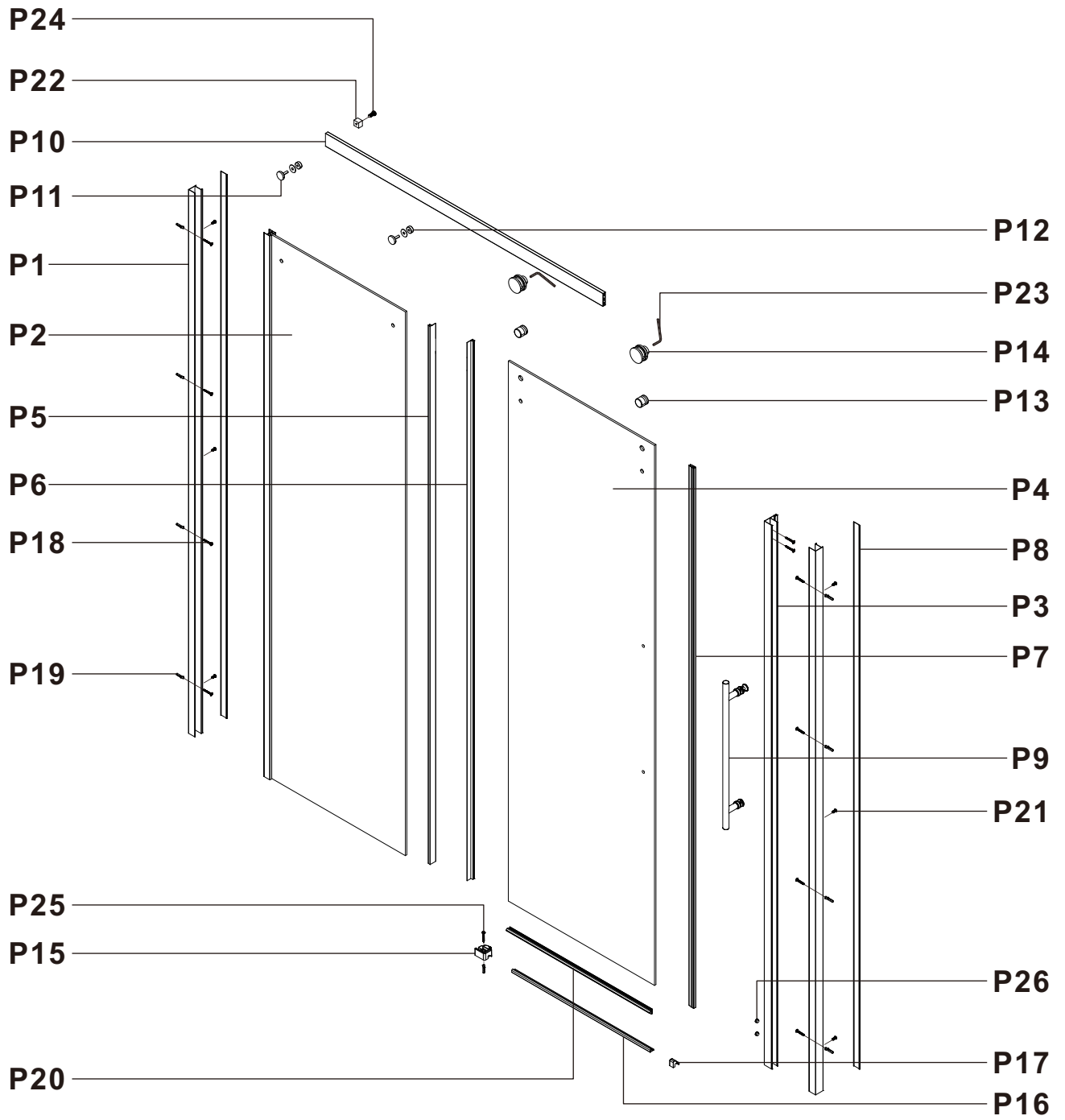
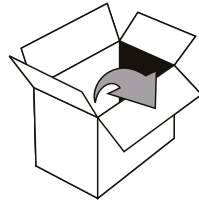


S733





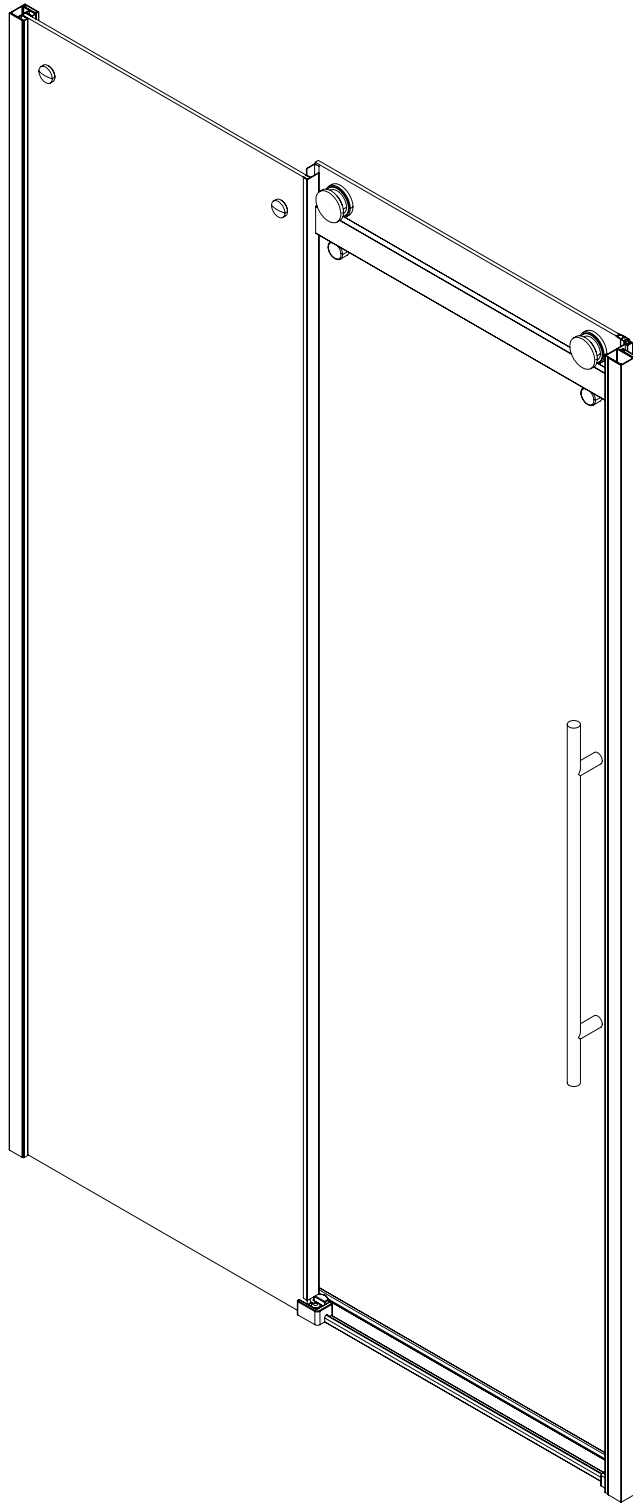


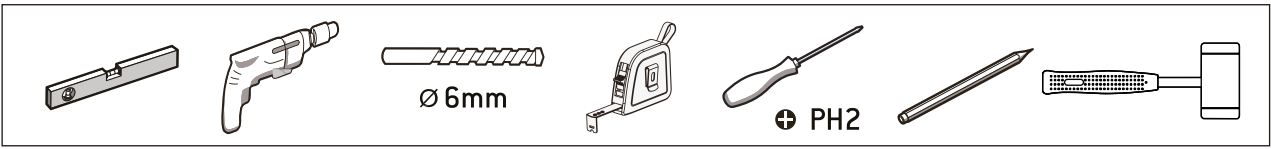


P1 X2	P2 X1	P3 X1	P4 X1
P5 X1	P6 X1	P7 X1	P8 X2
P9 X1	P10 X1	P11 X2	P12 X2
P13 X2	P14 X2	P15 L R X1	P16 X1
P17 X1	P18 ST4x30MM X10	P19 X9	P20 X1
P21 ST4x10MM X6	P22 X1	P23 X1	P24 ST4x16MM X1
P25 ST4x20MM X1	P26 X2		

 Ø6mm	
 Ø3mm	

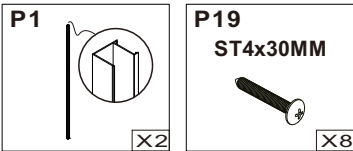
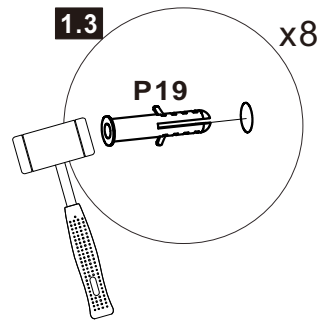
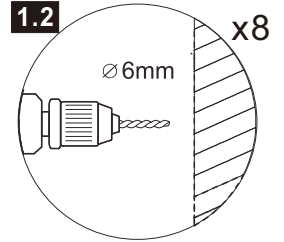
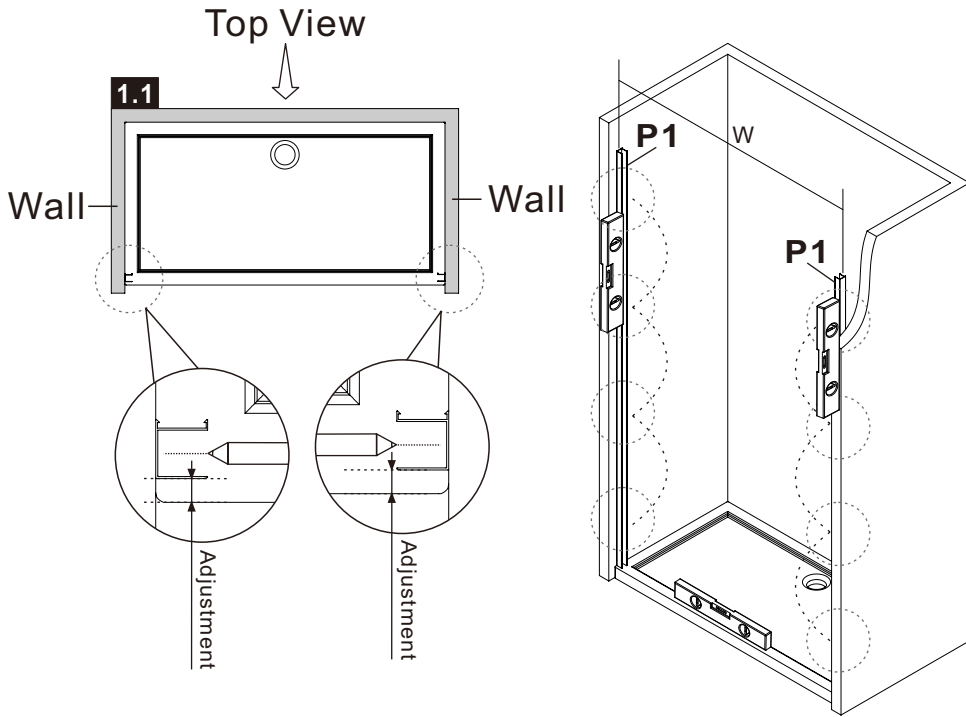
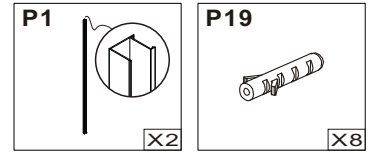
L



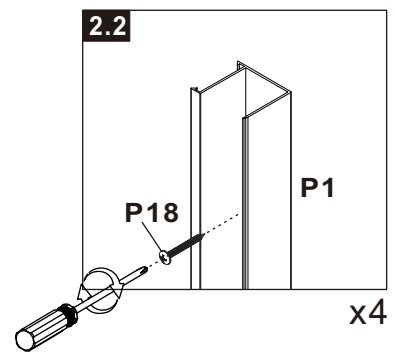
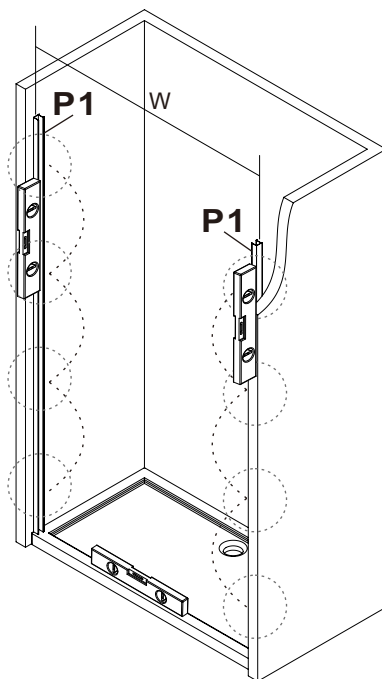
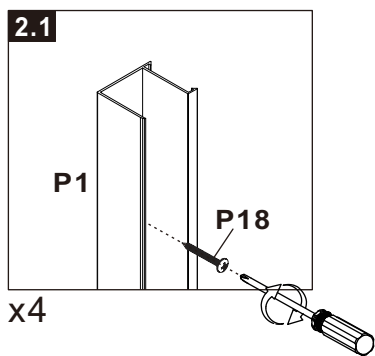


1

Mount P1 on the wall.



2

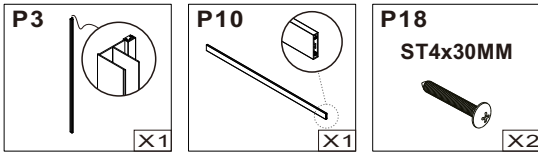
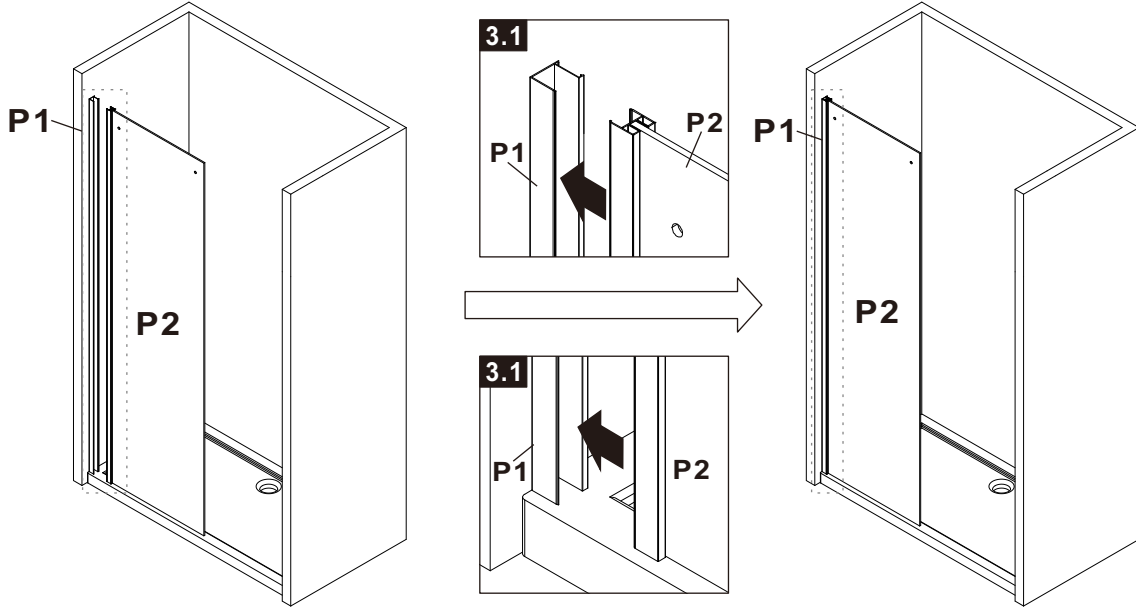
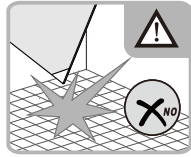
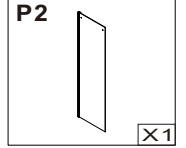


7



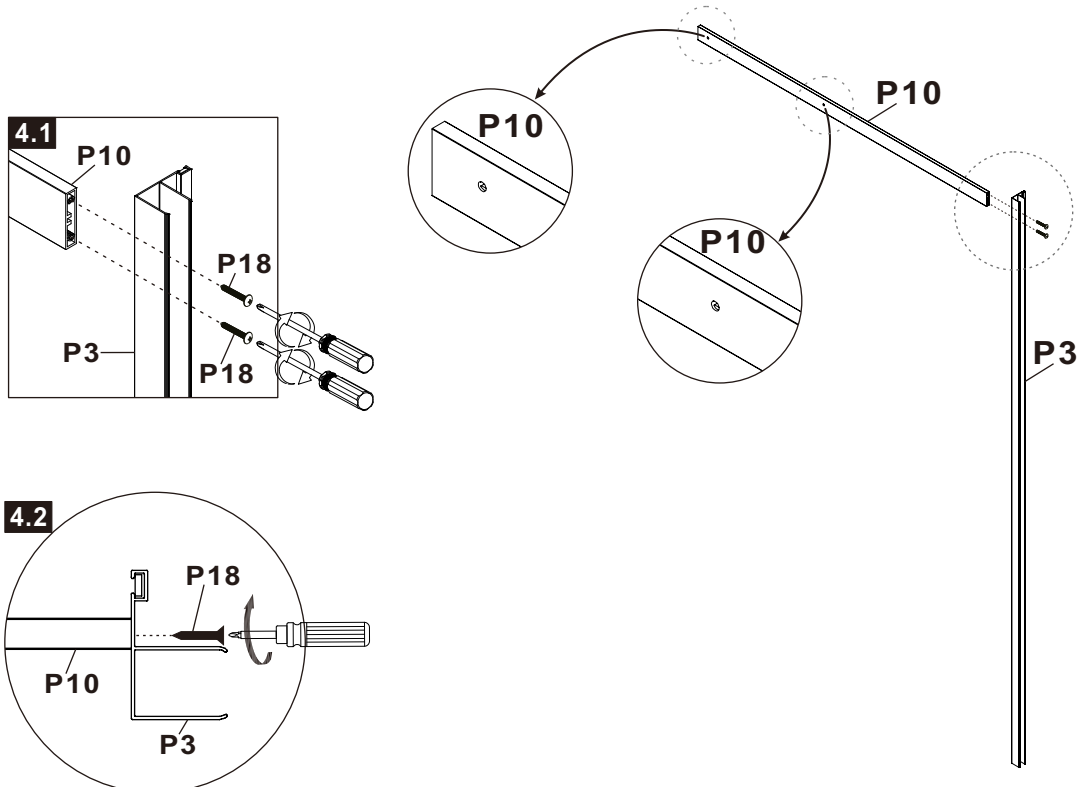
3

P2 glass inserts into P1



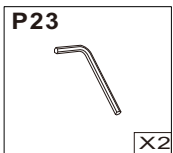
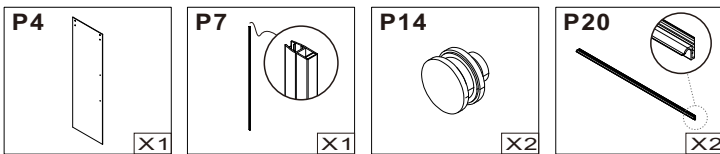
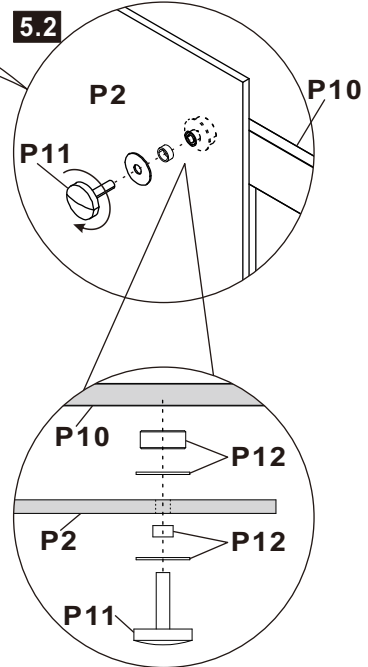
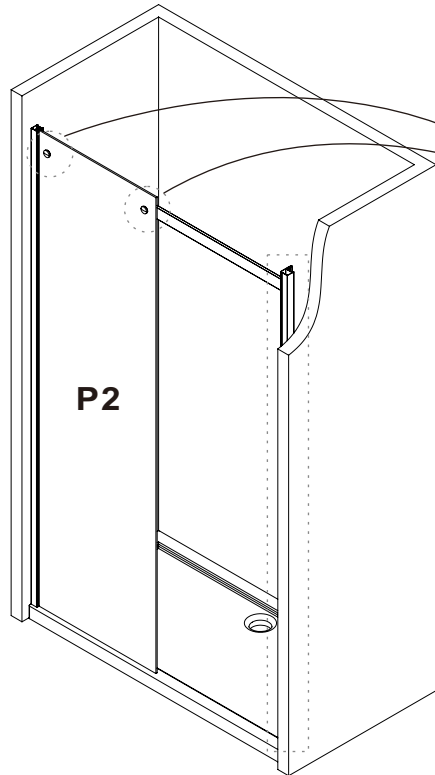
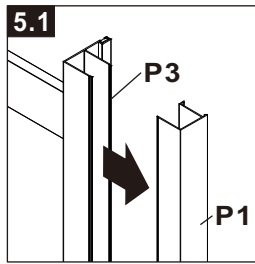
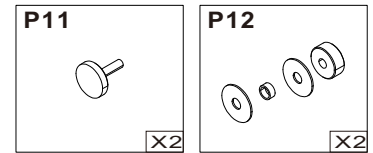
4

Connect P3 to P10 using P18. Note the orientation of the fixed glass hole on P10. Do not install it backwards.

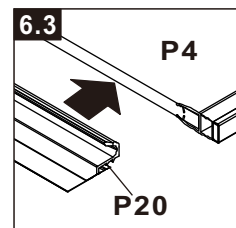
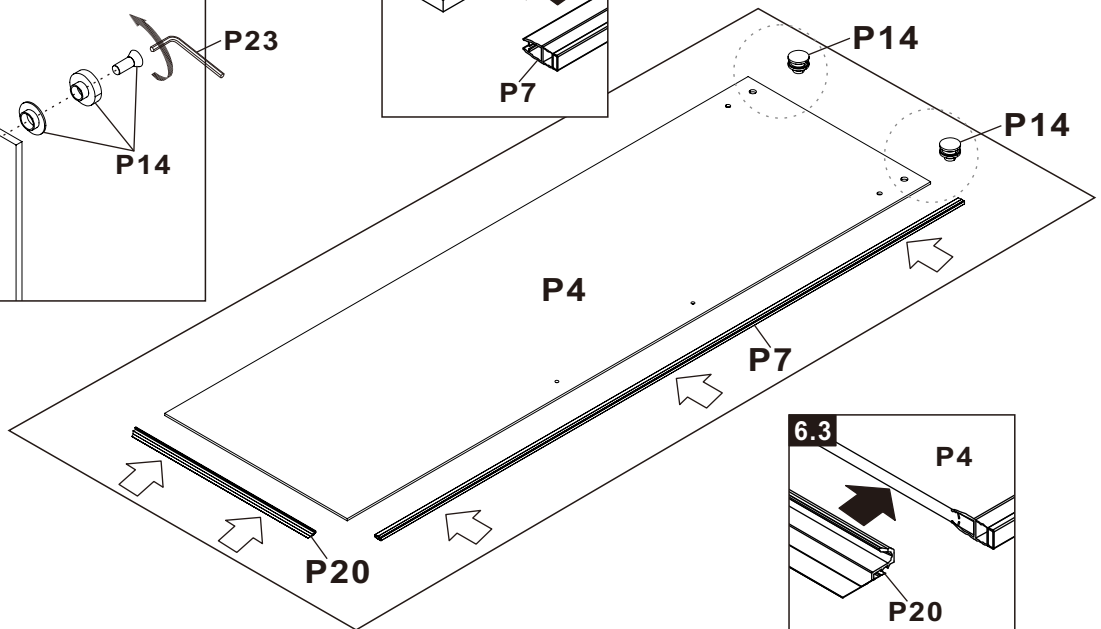
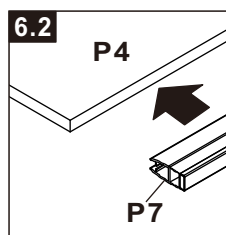
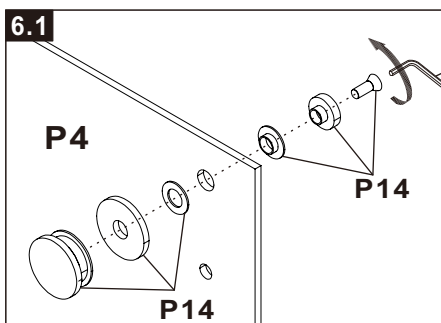
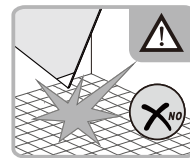


5

Insert P3 into P1, then mount the fixed glass onto the guide rail.



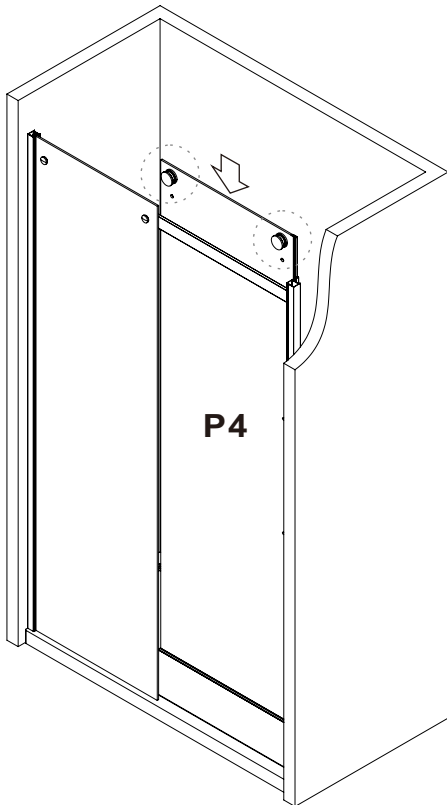
6



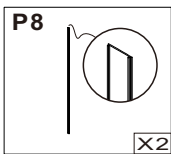
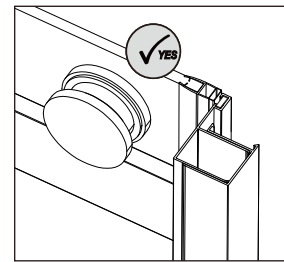
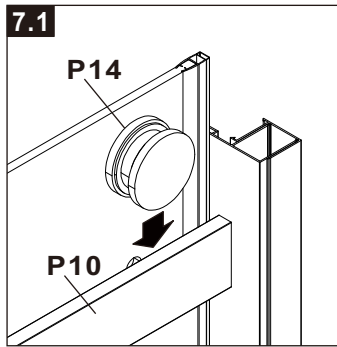
When installing the wheels and water stop for the sliding door, pay attention to the inner and outer sides of the wheels.



7

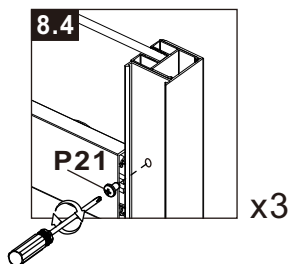
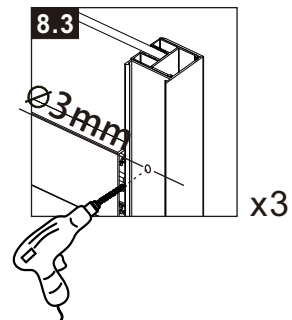
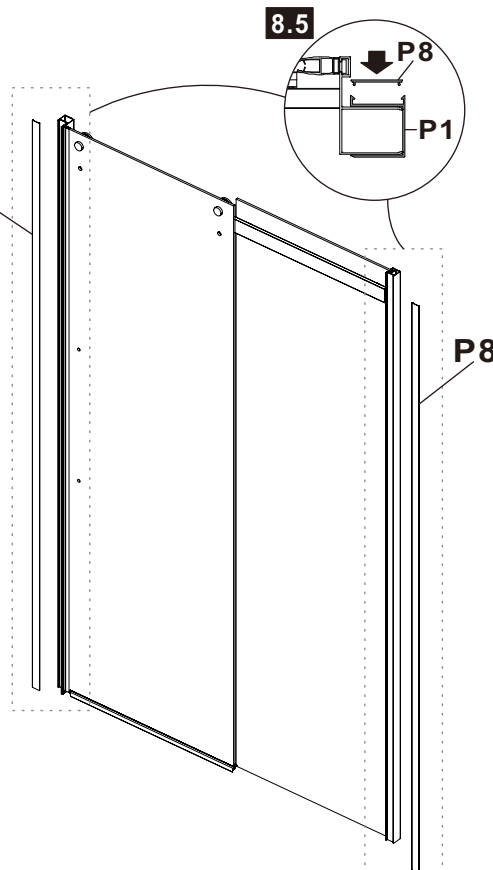
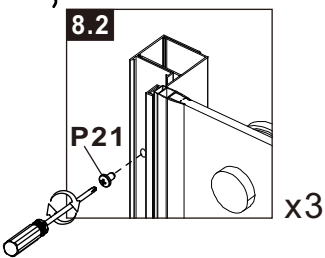
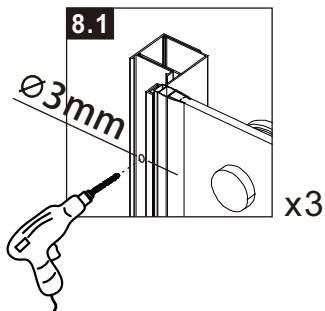


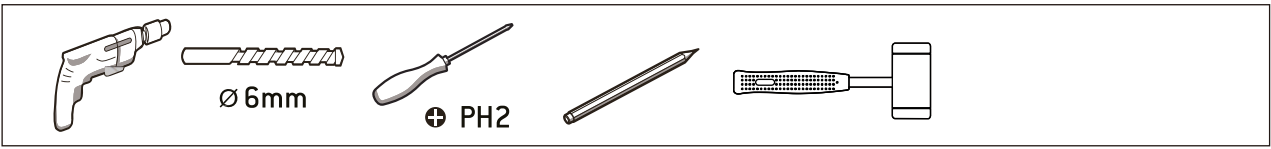
Hang the sliding door to ensure that the magnetic strips can be matched and closed accurately.



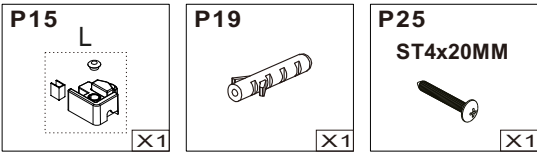
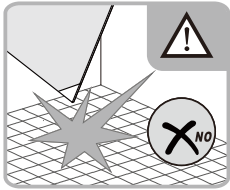
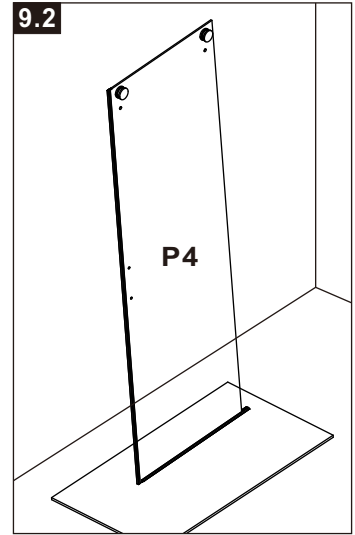
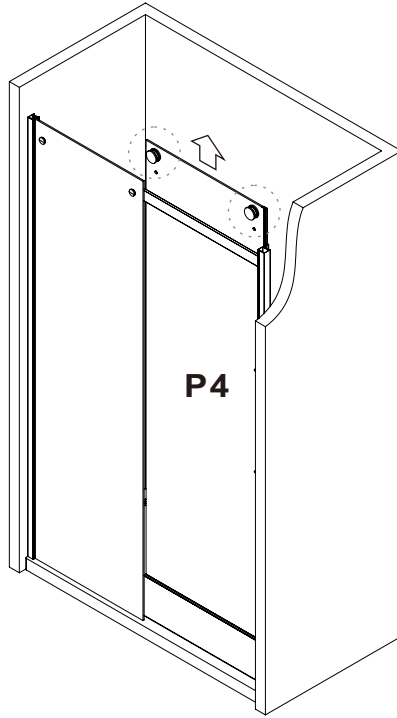
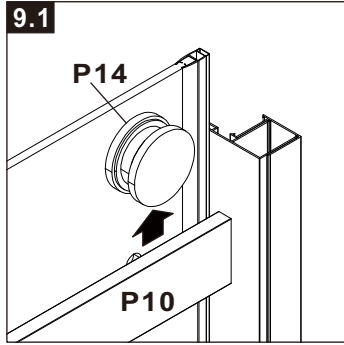
8

Secure the entire shower door with screws and install the P8 decorative cover.

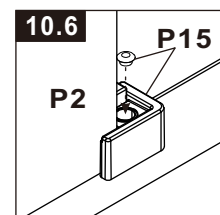
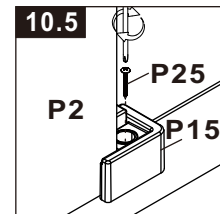
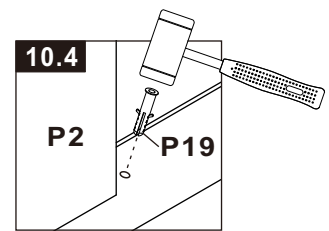
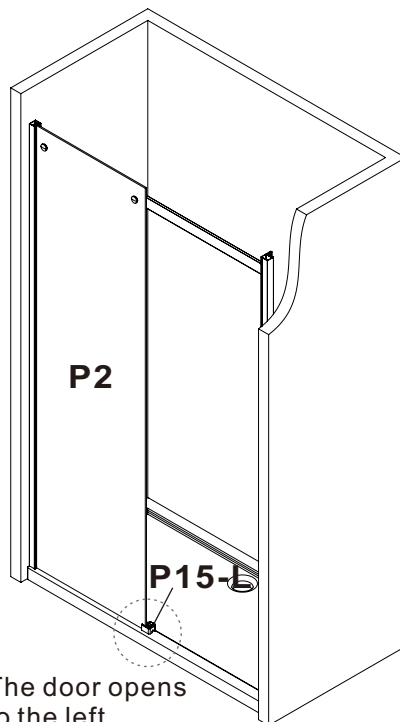
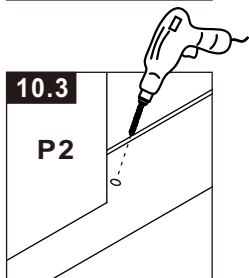
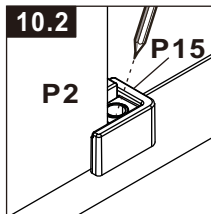
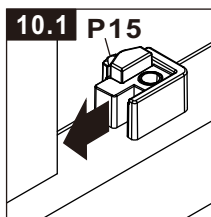




9

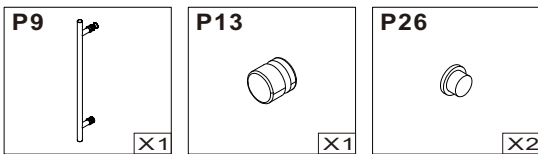
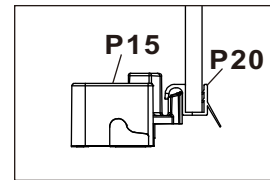
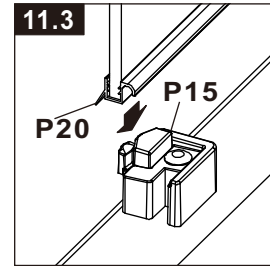
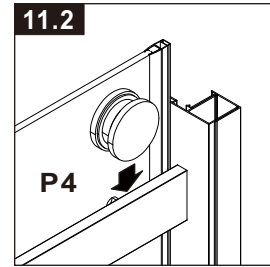
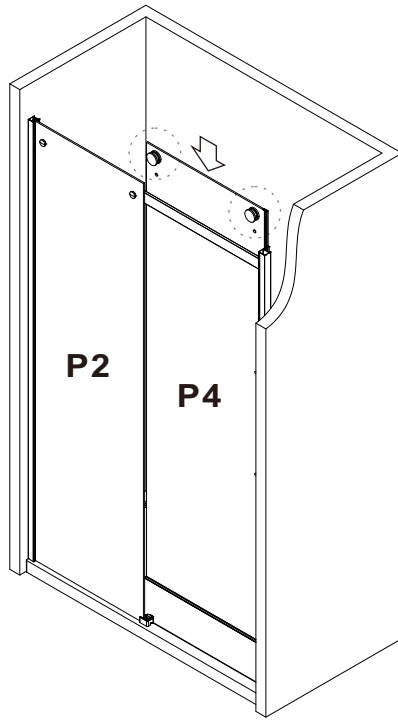
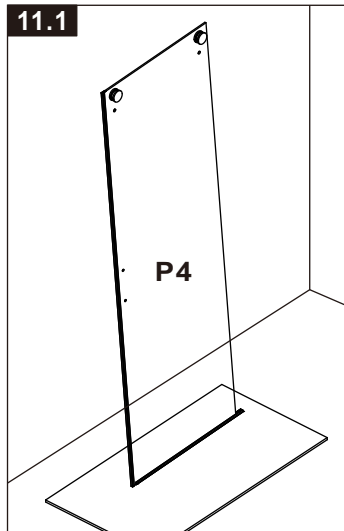
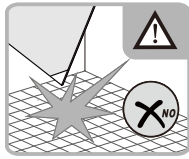


10



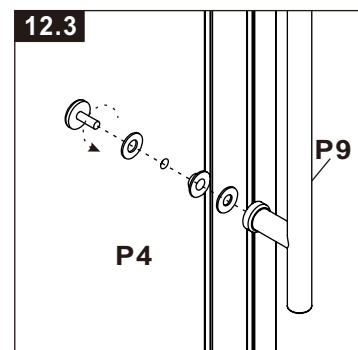
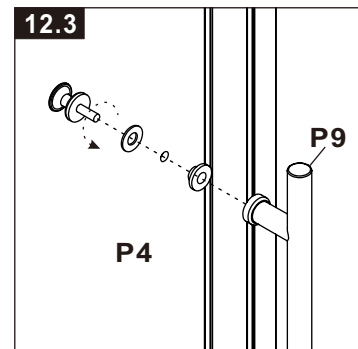
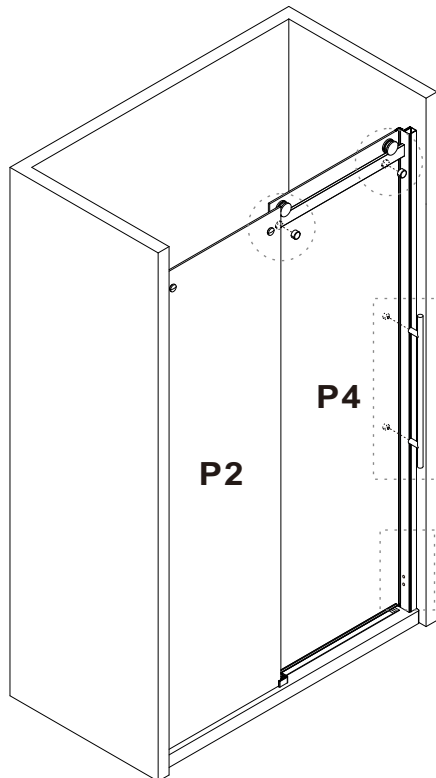
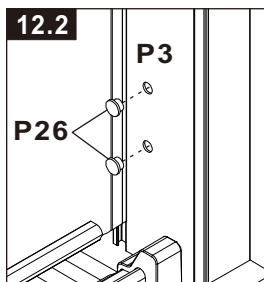
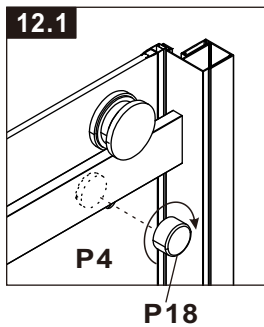


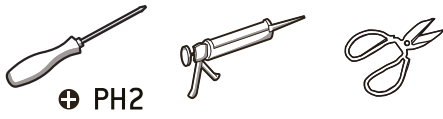
11 Install the wheels on P4, ensuring the bottom of P20 snaps into P15.



12

Install the wheel on the P18 mounting block and P26 decorative cover, then install the P9 door handle.



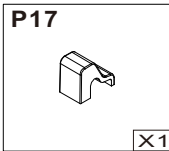
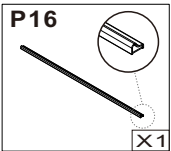
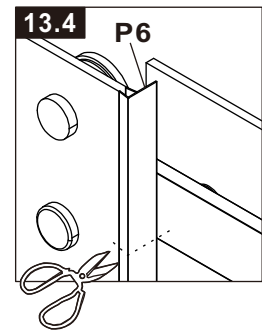
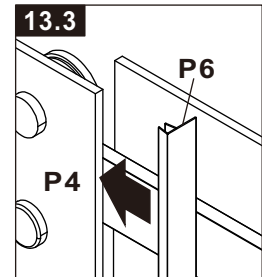
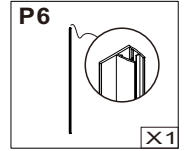
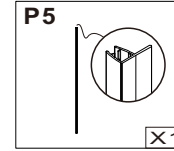
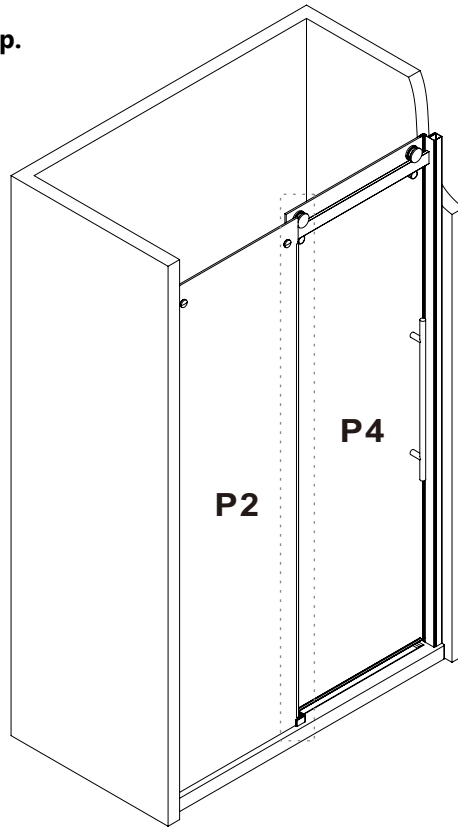
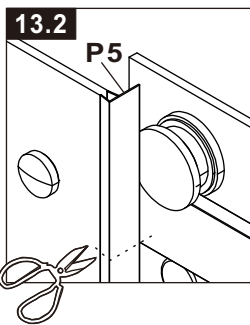
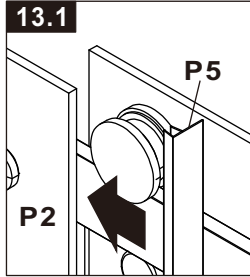


⊕ PH2

12

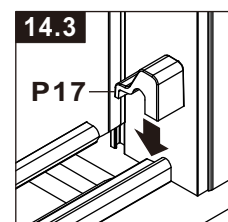
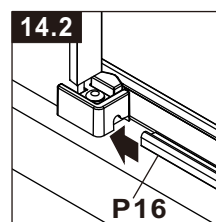
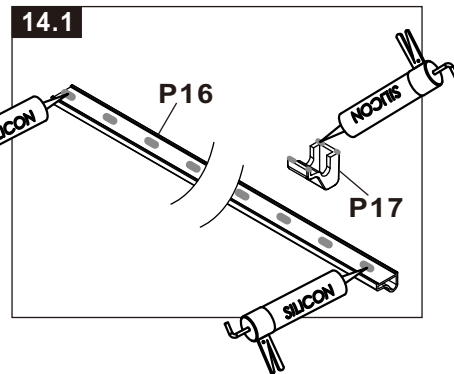
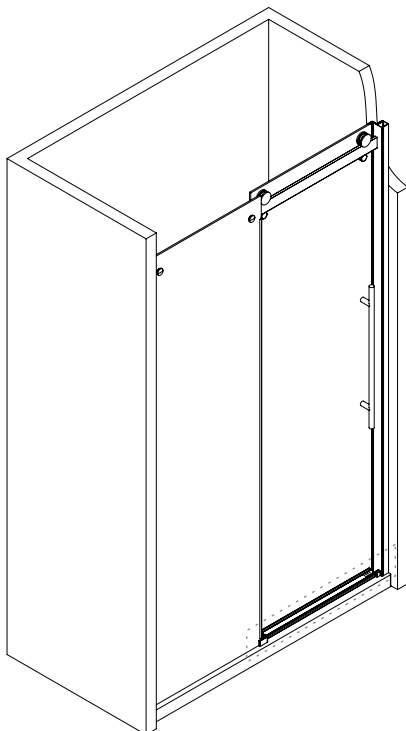
13

Install the water stop.

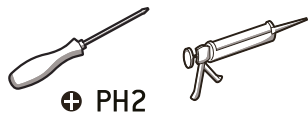


Install the water stop.

14



13



15

P22



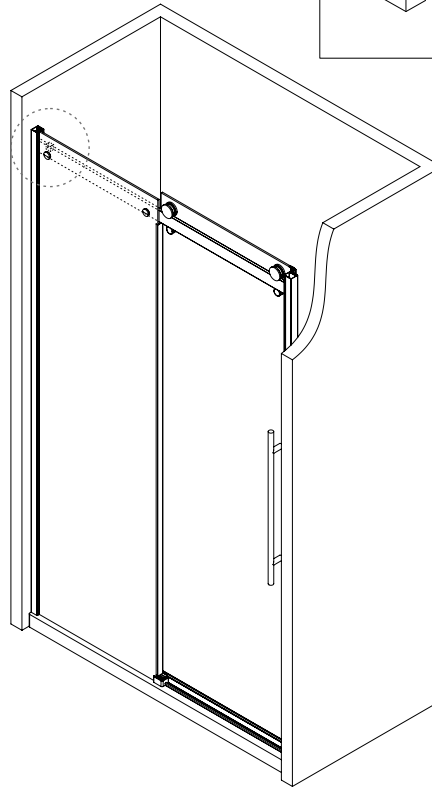
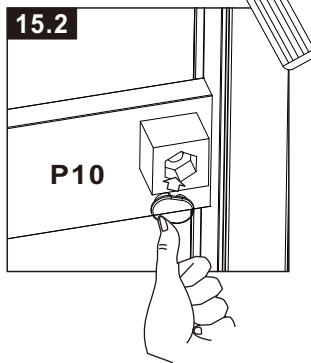
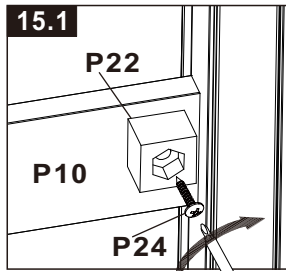
X1

P24

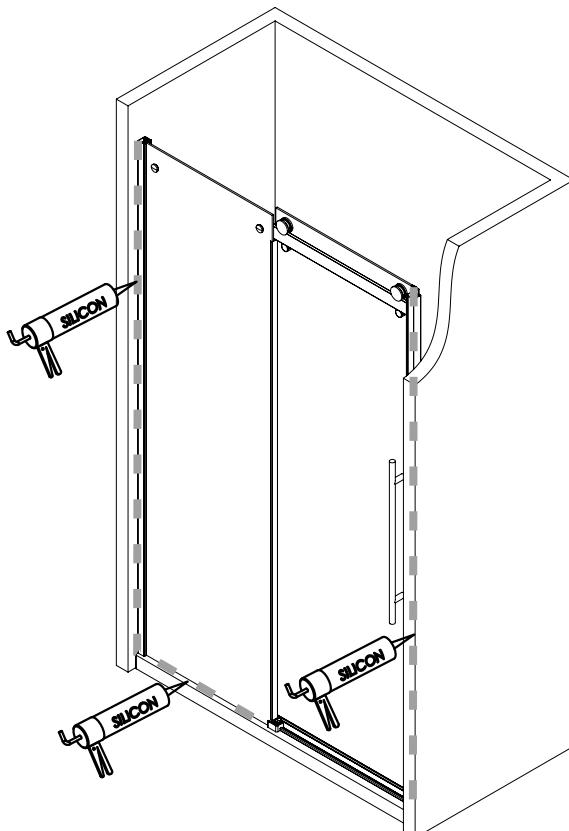
ST4x16MM



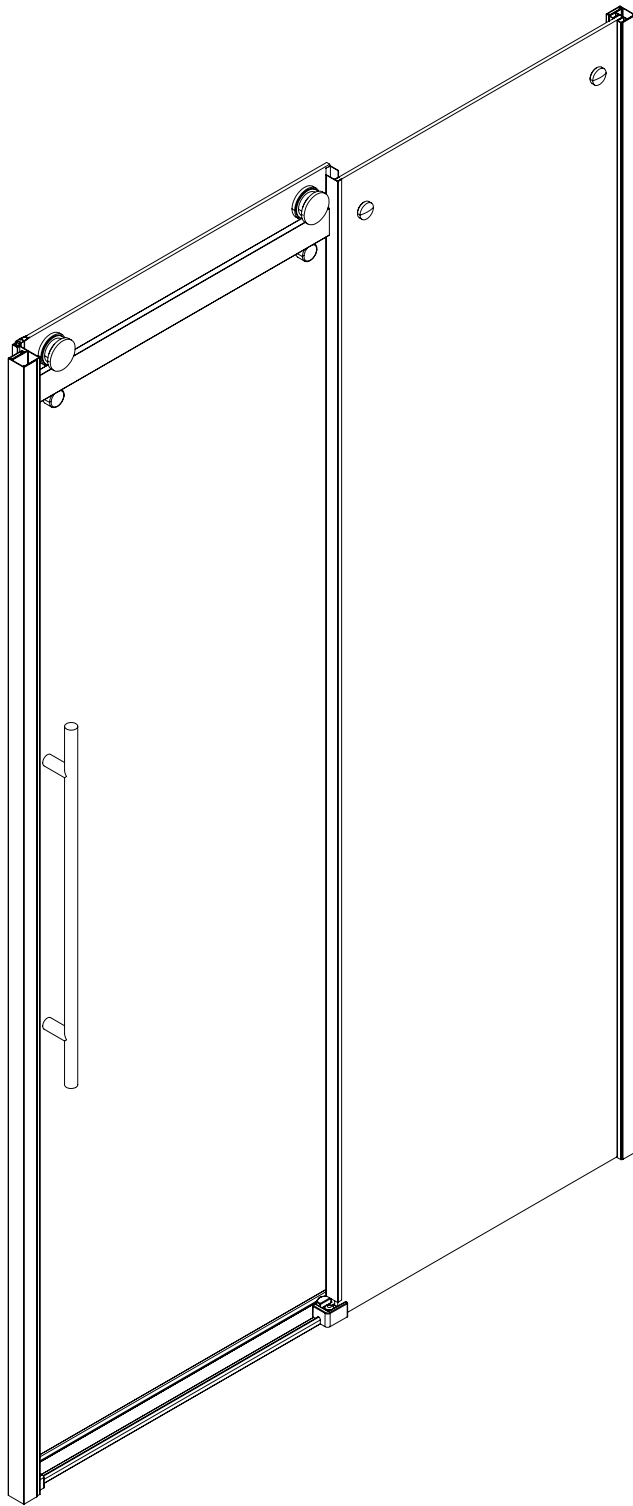
X1

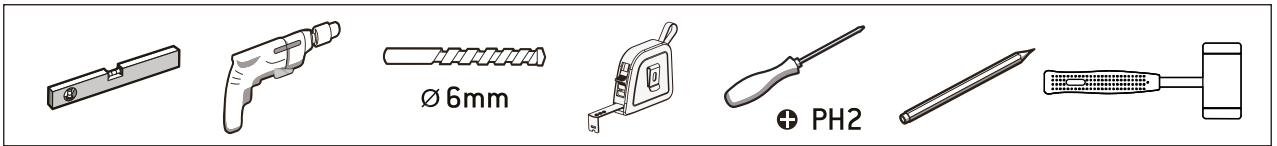


16

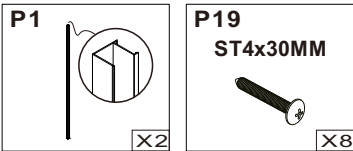
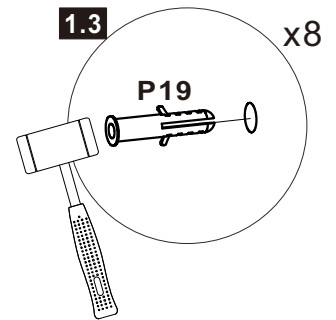
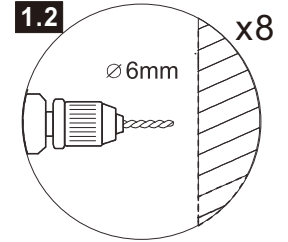
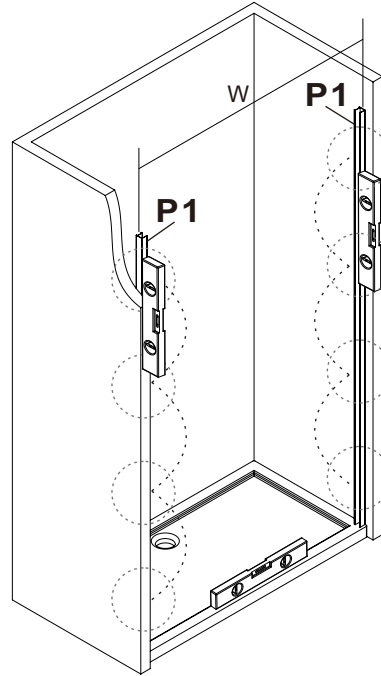
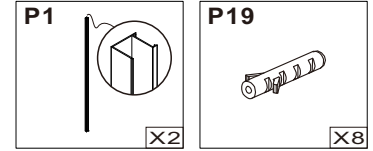
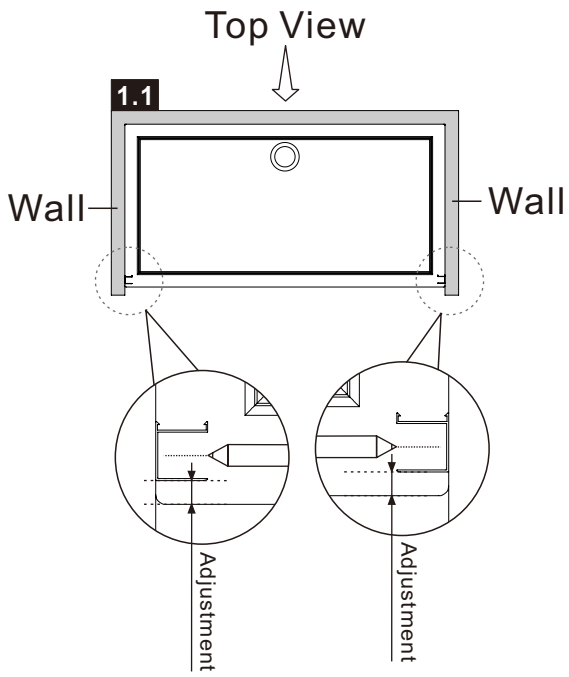


R



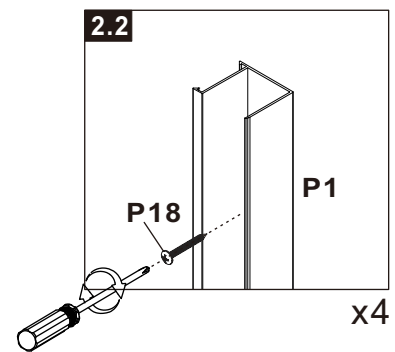
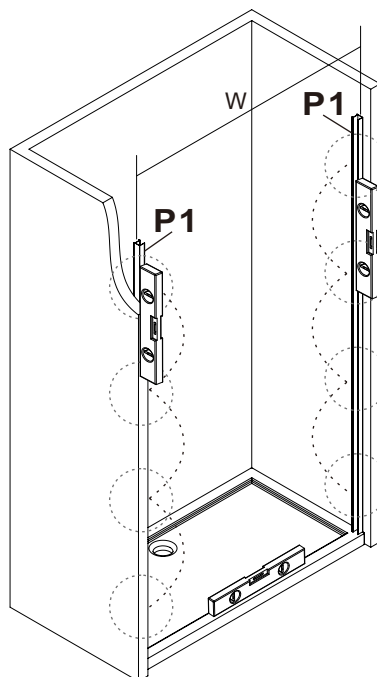
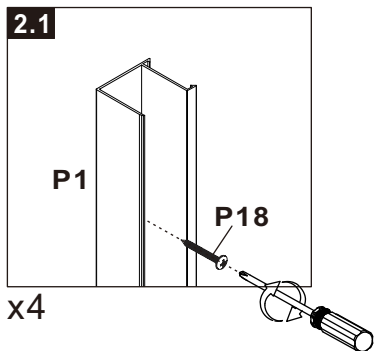


1



2

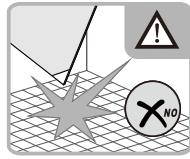
Mount P1 on the wall.



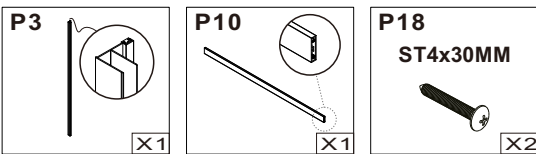
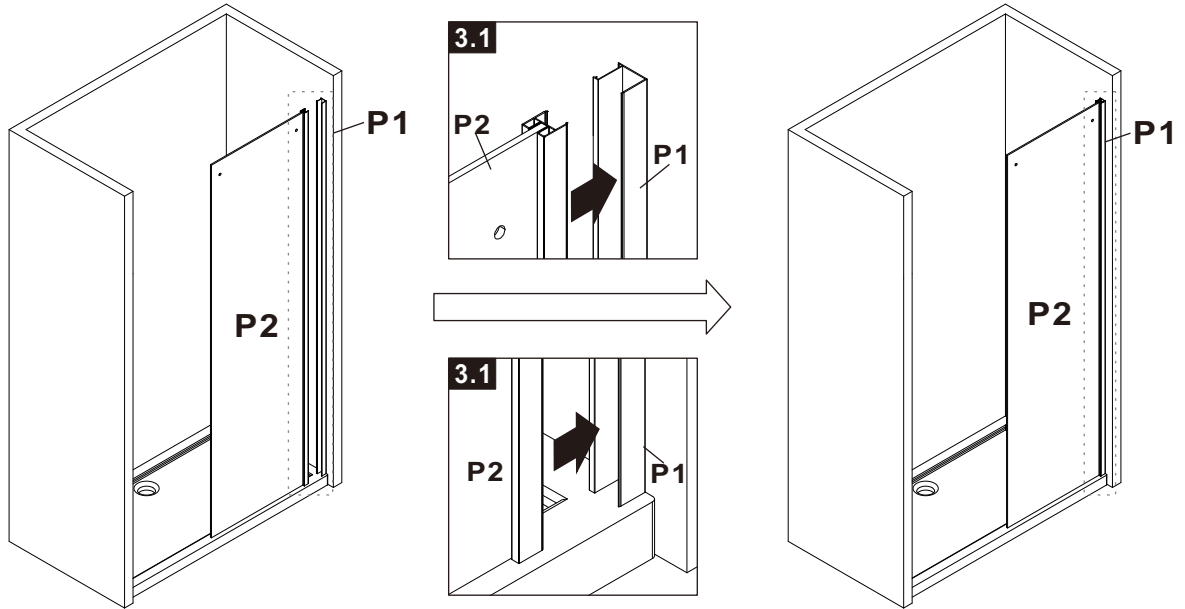
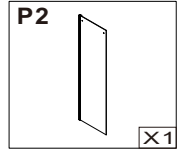


⊕ PH2

3

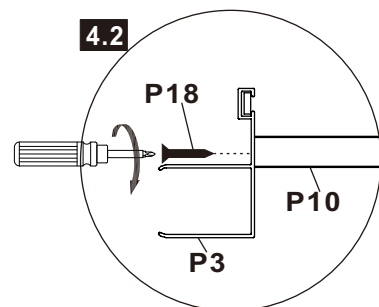
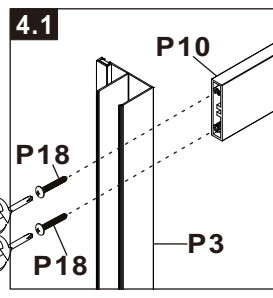
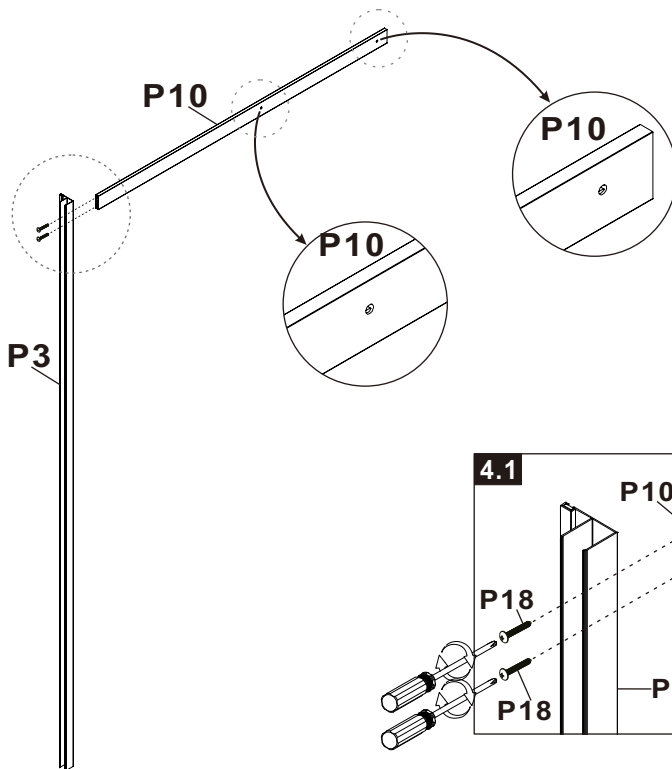


P2 glass inserts into P1



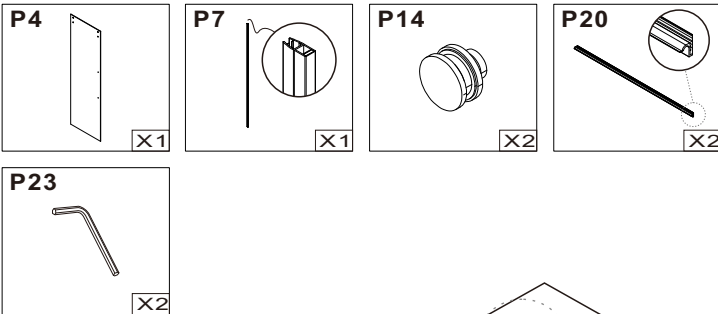
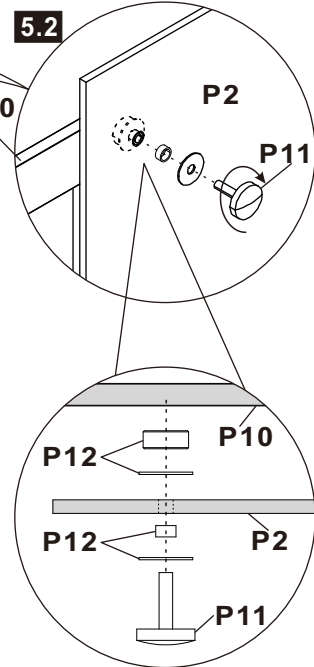
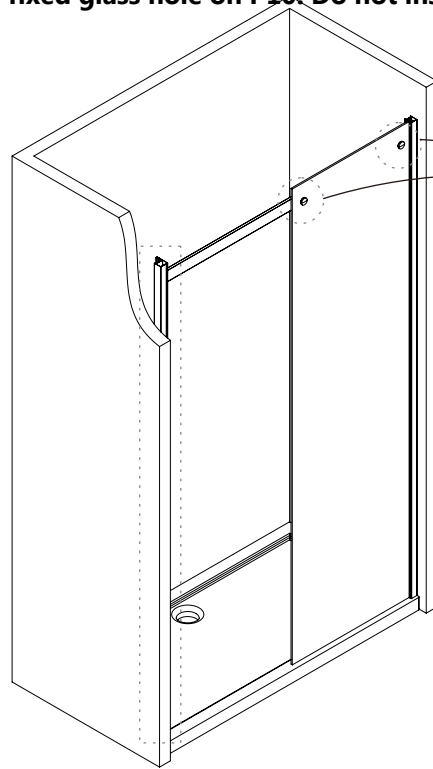
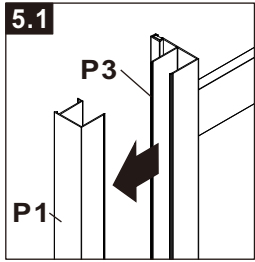
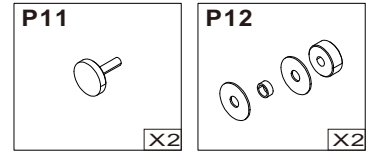
4

Connect P3 to P10 using P18. Note the orientation of the fixed glass hole on P10. Do not install it backwards.

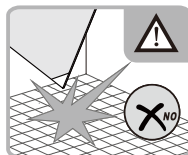
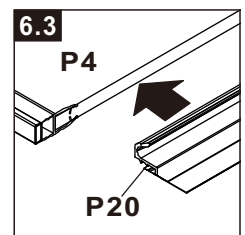
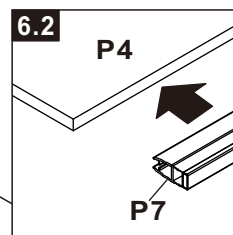
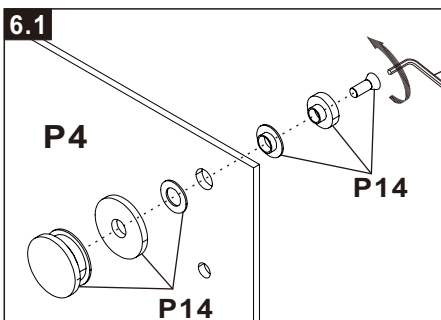
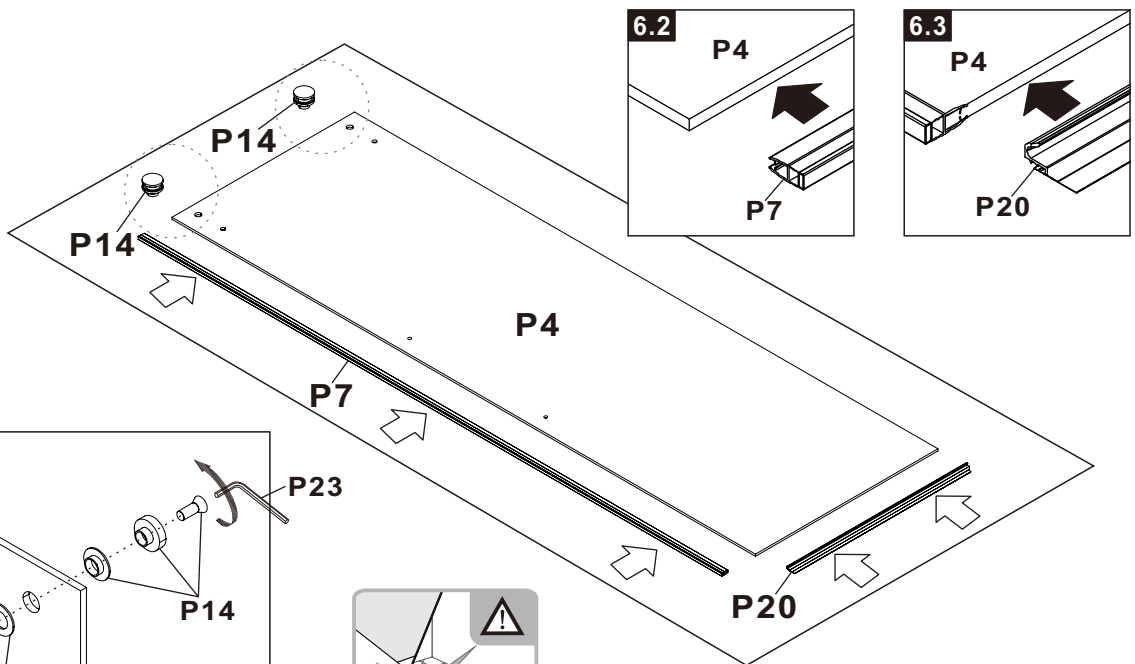


5

Note the orientation of the fixed glass hole on P10. Do not install it backwards.



6



When installing the wheels and water stop for the sliding door, pay attention to the inner and outer sides of the wheels.



Ø3mm

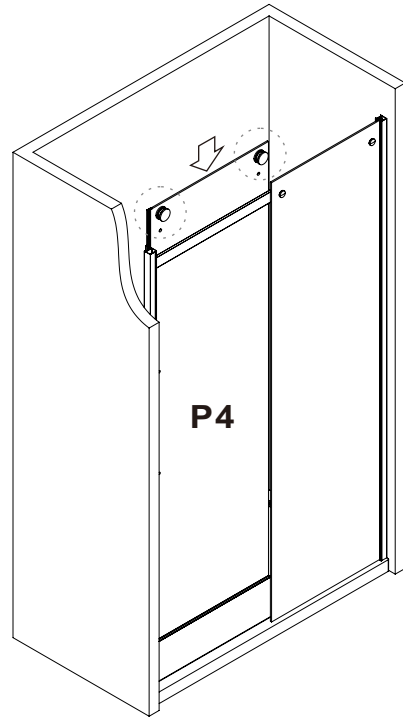


⊕ PH2

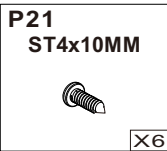
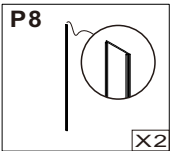
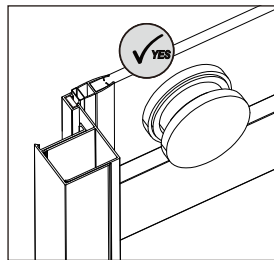
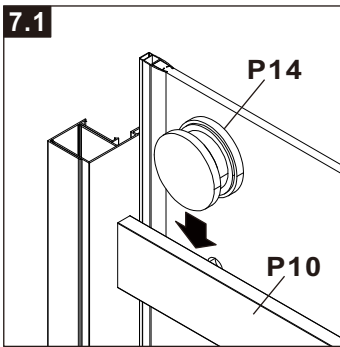
7



Hang the sliding door to ensure that the magnetic strips can be matched and closed accurately.

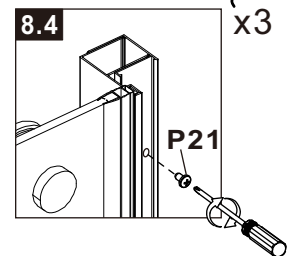
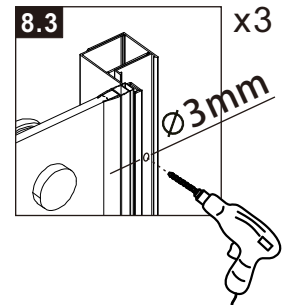
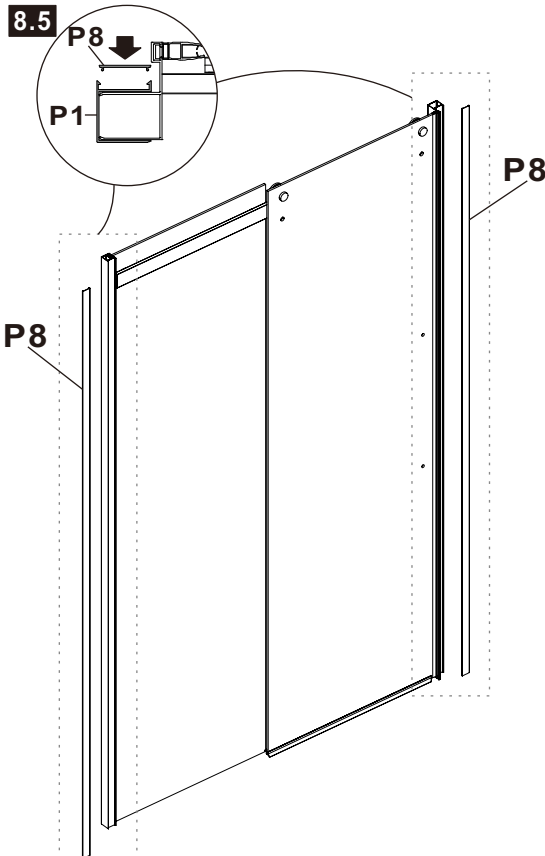
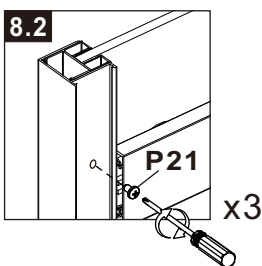
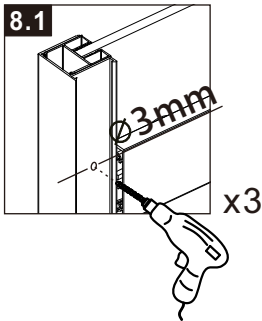


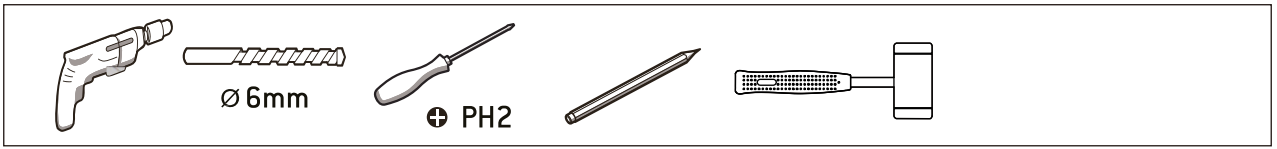
7.1



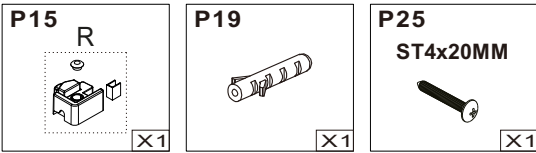
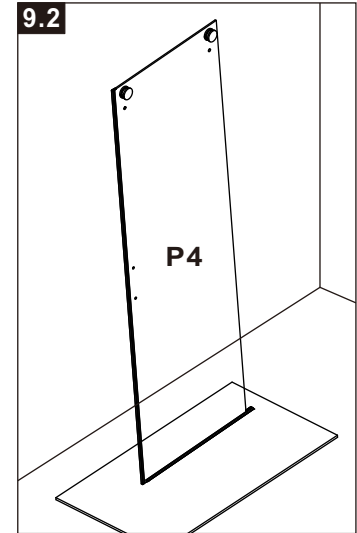
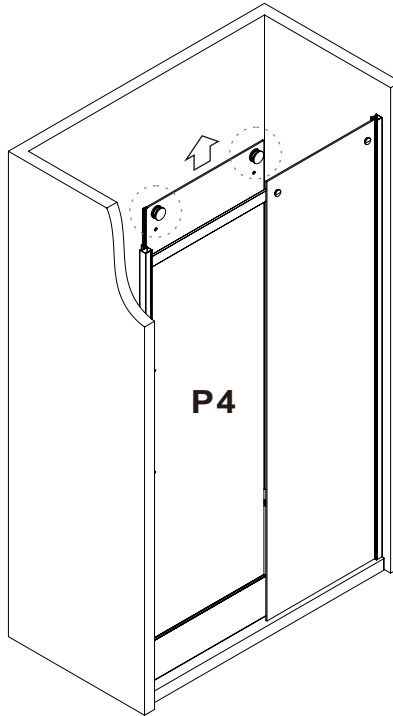
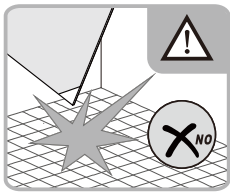
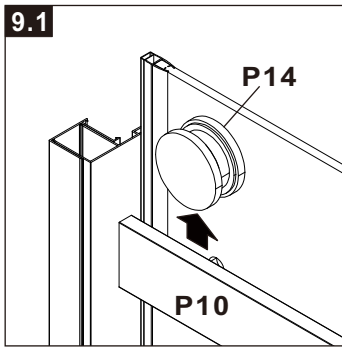
8

Secure the entire shower door with screws and install the P8 decorative cover.

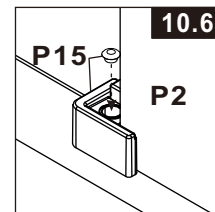
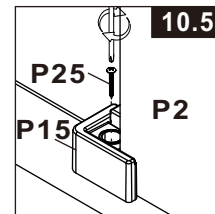
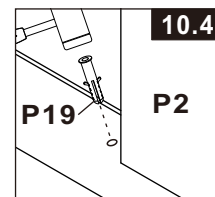
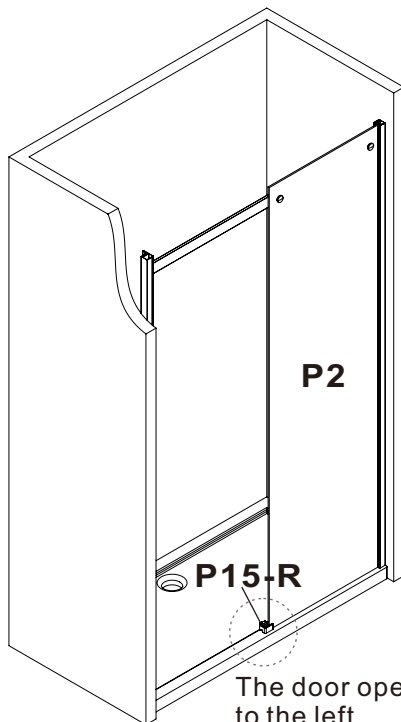
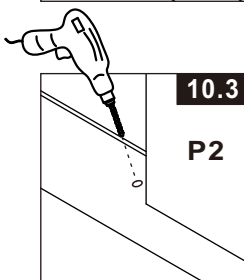
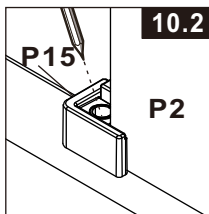
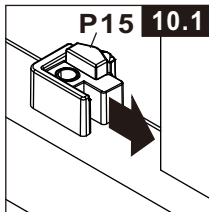




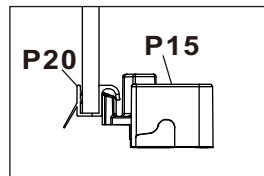
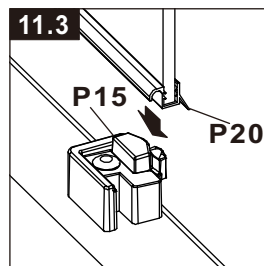
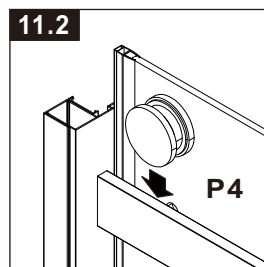
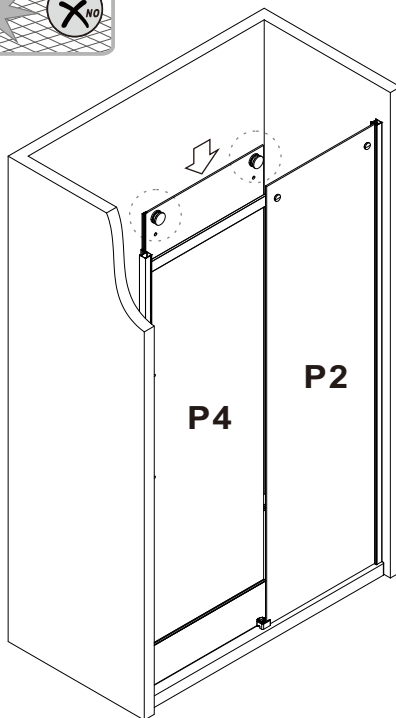
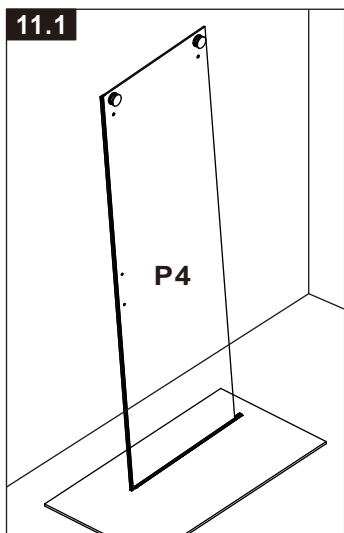
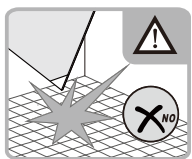
9



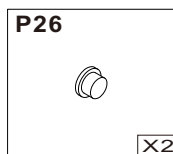
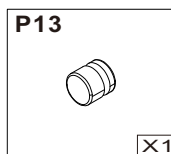
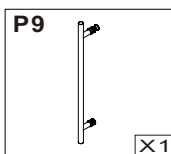
10



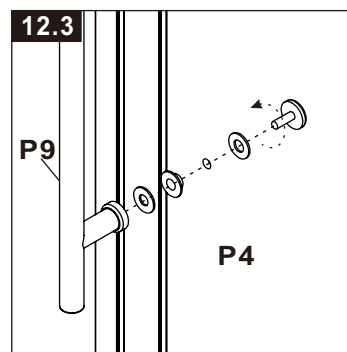
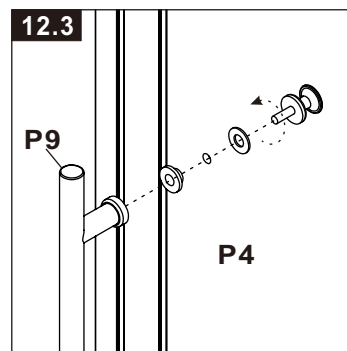
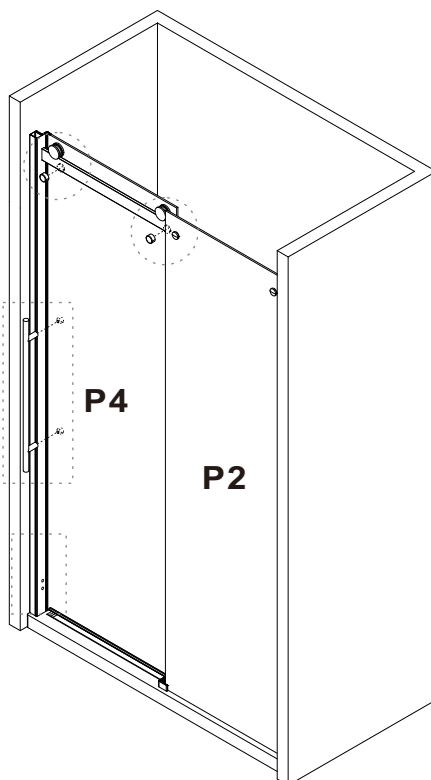
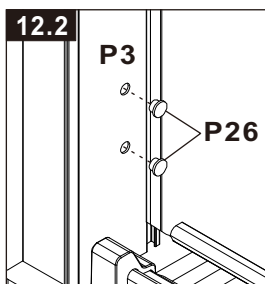
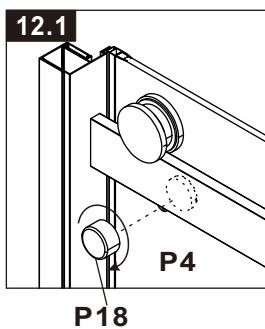
11



Install the wheels on P4, ensuring the bottom of P20 snaps into P15.



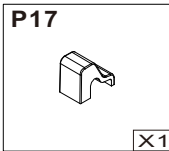
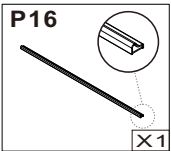
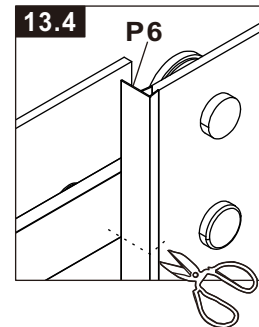
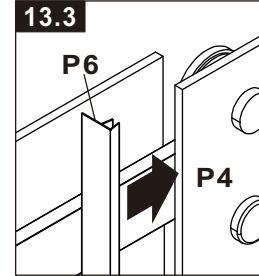
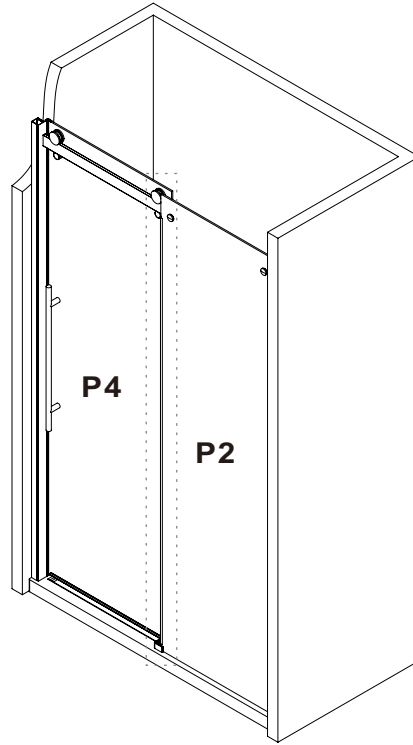
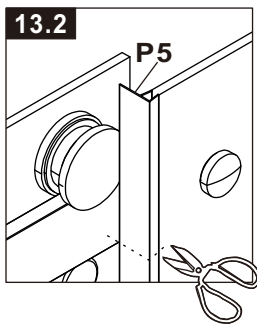
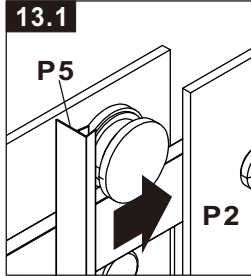
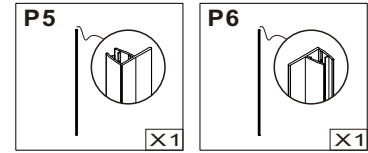
12





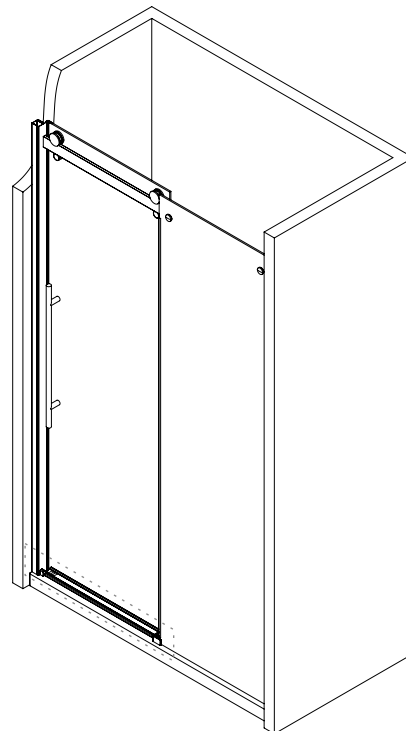
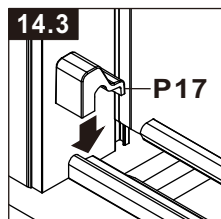
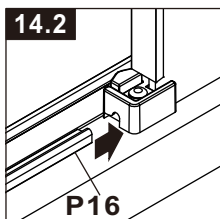
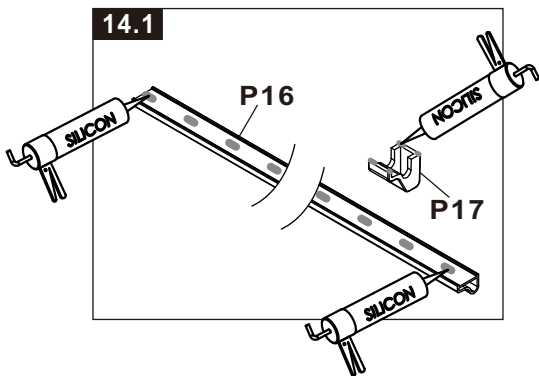
13

Install the water stop.



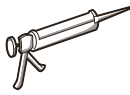
14

Install the water stop.





⊕ PH2



15

P22



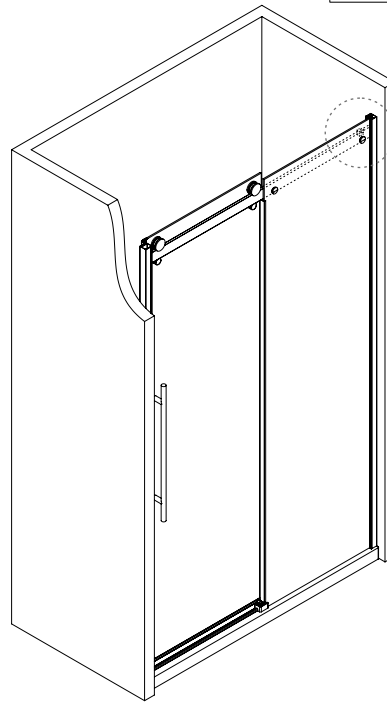
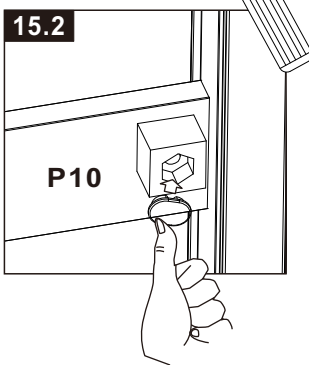
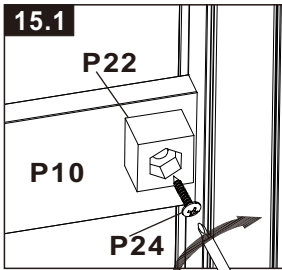
X1

P24

ST4x16MM



X1



16

