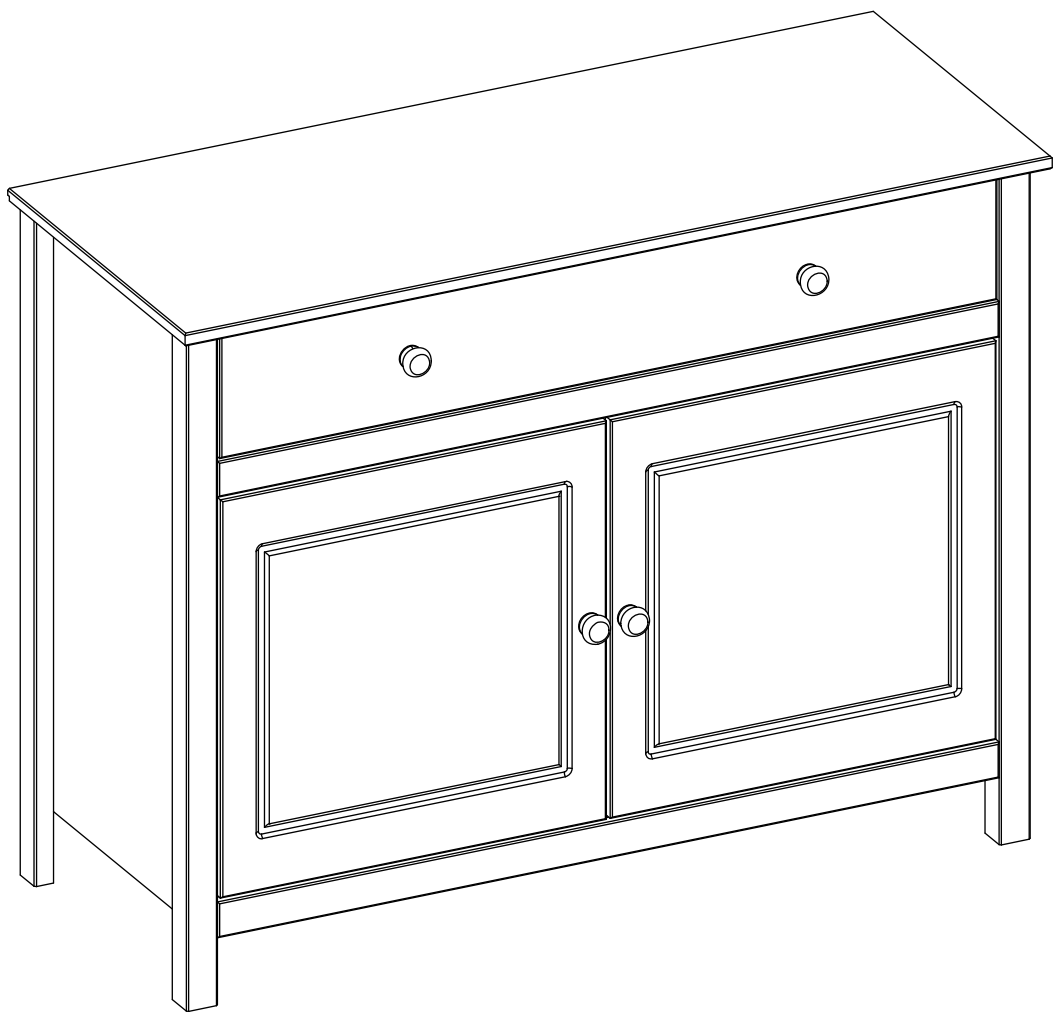
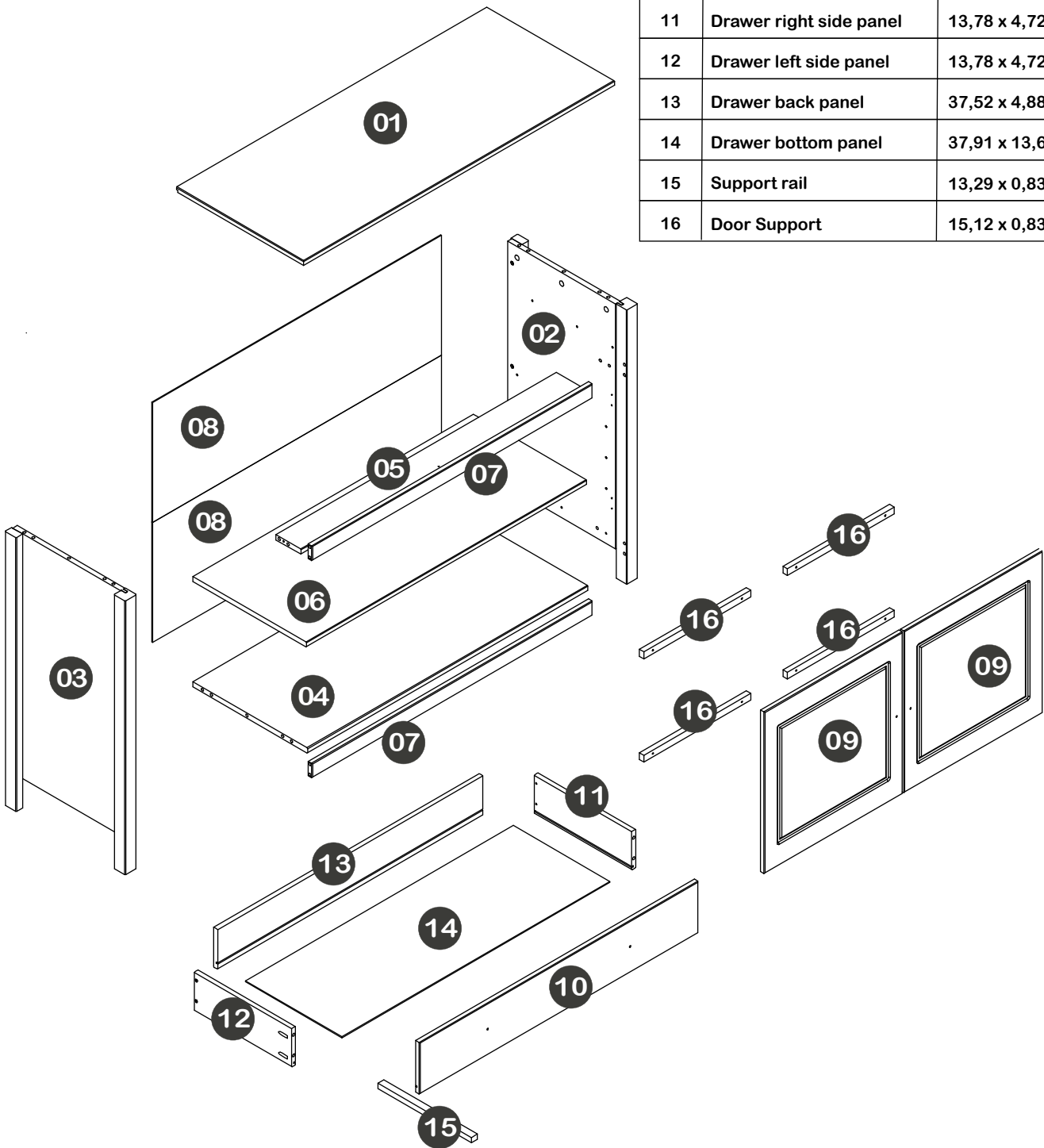
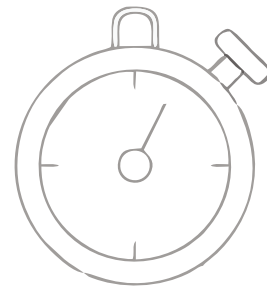
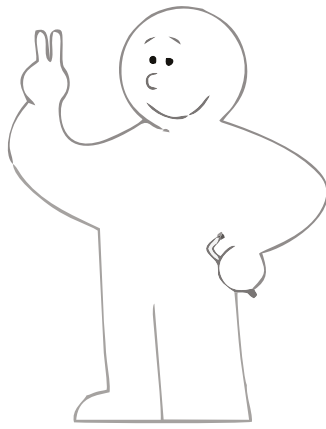
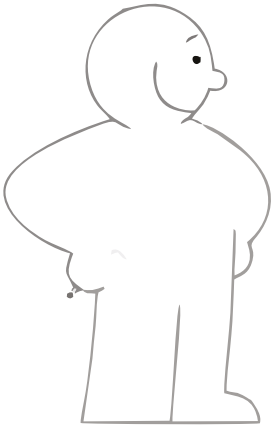


# 2 DOOR 1 DRAWER SIDEBOARD

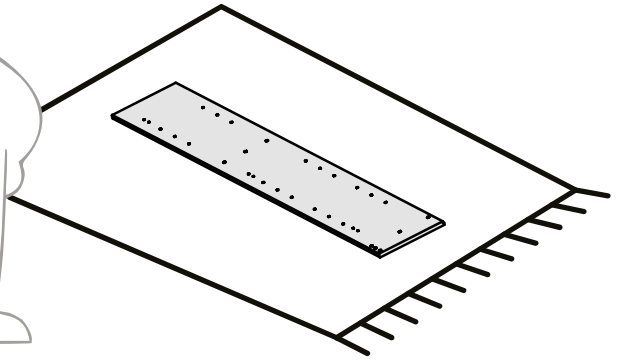
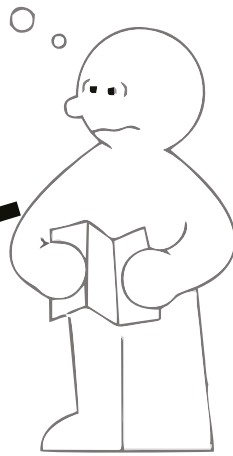
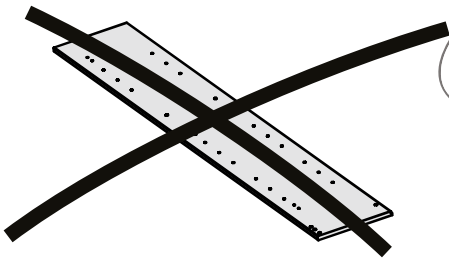


Part	Description	Dimensions (in)	Qty.
01	Top panel	43,97 x 17,99	01
02	Right side panel	33,42 x 17,01	01
03	Left side panel	33,42 x 17,01	01
04	Bottom panel	39,64 x 16,22	01
05	Large Rail	39,64 x 3,54	01
06	Shelf	39,61 x 16,06	01
07	Front Rail	39,64 x 1,77	02
08	Back Panel	40,83 x 14,64	02
09	Door	19,72 x 19,56	02
10	Drawer front panel	39,41 x 6,29	01
11	Drawer right side panel	13,78 x 4,72	01
12	Drawer left side panel	13,78 x 4,72	01
13	Drawer back panel	37,52 x 4,88	01
14	Drawer bottom panel	37,91 x 13,66	01
15	Support rail	13,29 x 0,83	01
16	Door Support	15,12 x 0,83	04

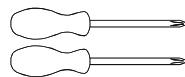
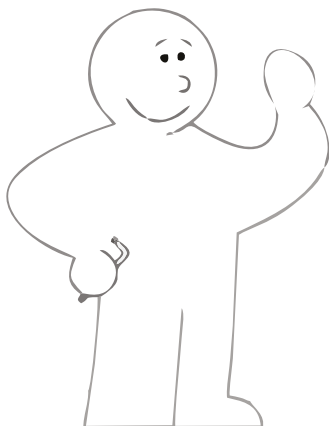




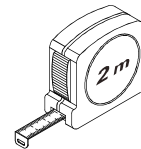
**40 Min**



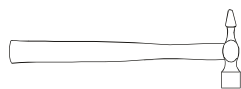
### Tools required



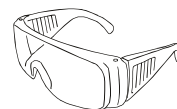
**Phillips screwdriver  
(medium & large)**



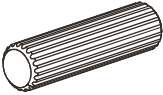
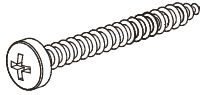
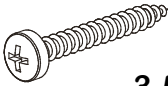


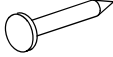
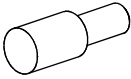
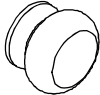
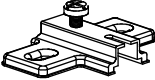

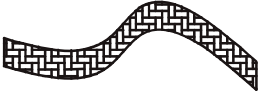

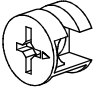
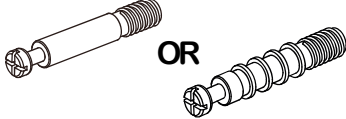


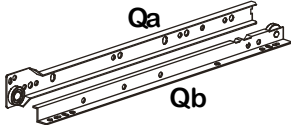
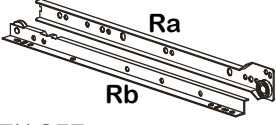

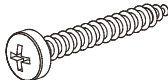
**Ruler/tape  
measure**



**Small  
hammer**



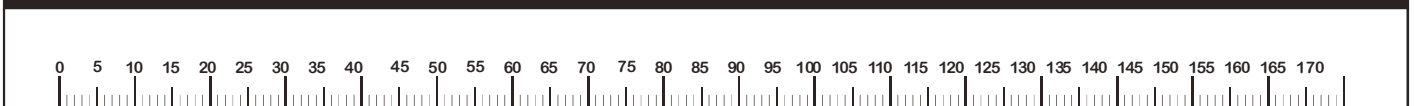
**Eye protection  
(when using a  
hammer or glue)**

<b>A</b>	 8x30mm	<b>24</b>	<b>B</b>	 4,0x40mm	<b>04</b>
<b>C</b>	 3,5x30mm	<b>13</b>	<b>D</b>	 12x16mm	<b>02</b>
<b>E</b>	 4,0x16mm	<b>16</b>	<b>F</b>		<b>32</b>
<b>G</b>		<b>04</b>	<b>H</b>		<b>04</b>
<b>I</b>		<b>04</b>	<b>J</b>		<b>04</b>
<b>K</b>		<b>01</b>	<b>L</b>		<b>02</b>
<b>M</b>		<b>12</b>	<b>N</b>	 OR	<b>12</b>
<b>O</b>	 6,0x10mm	<b>06</b>	<b>P</b>	 3,0x16mm	<b>11</b>
<b>Q</b>	 Qa Qb LEFT SET	<b>01</b>	<b>R</b>	 Ra Rb RIGHT SET	<b>01</b>
<b>S</b>		<b>02</b>	<b>T</b>	 4,0x25mm	<b>12</b>

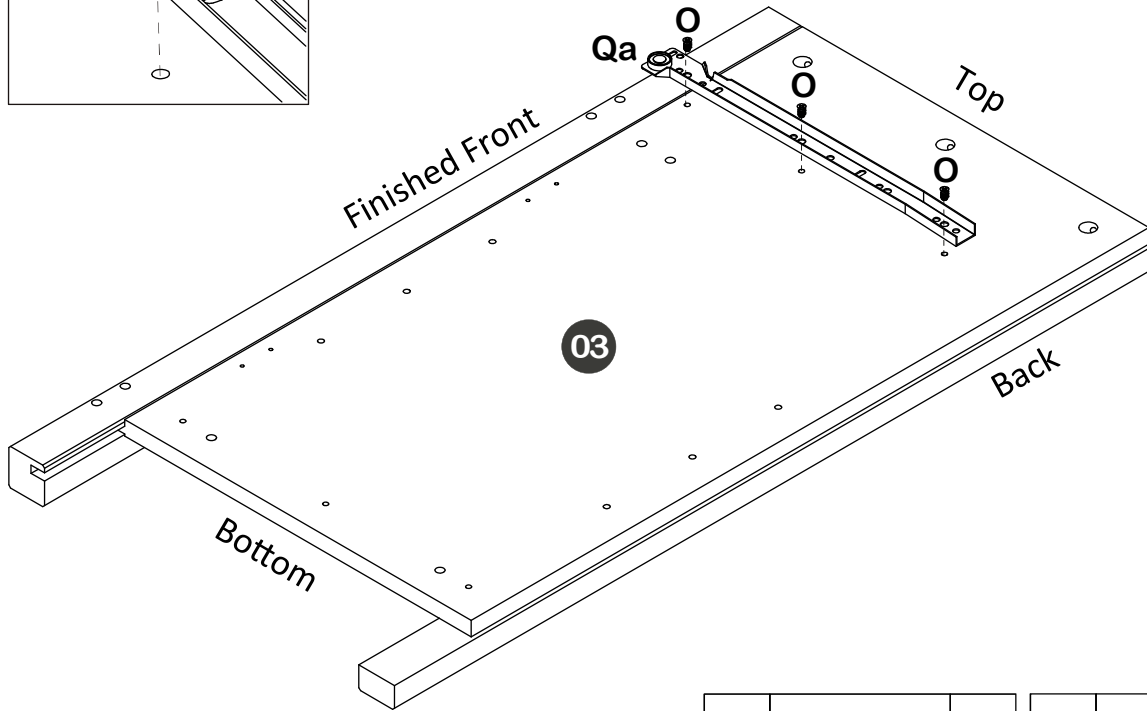
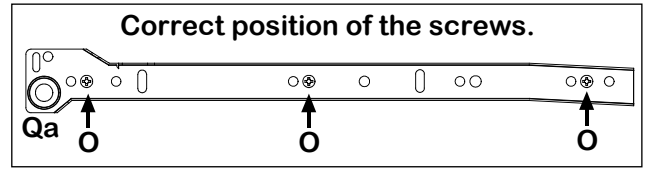
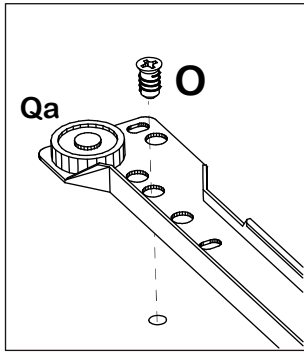



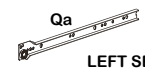
**HARDWARE IS LOCATED INSIDE A CARDBOARD BOX! CHECK FOR IT BEFORE DISPOSING PACKAGING**

**Ruler - Use this ruler to help correctly identify the screws**

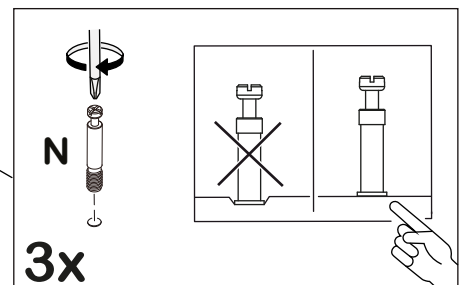
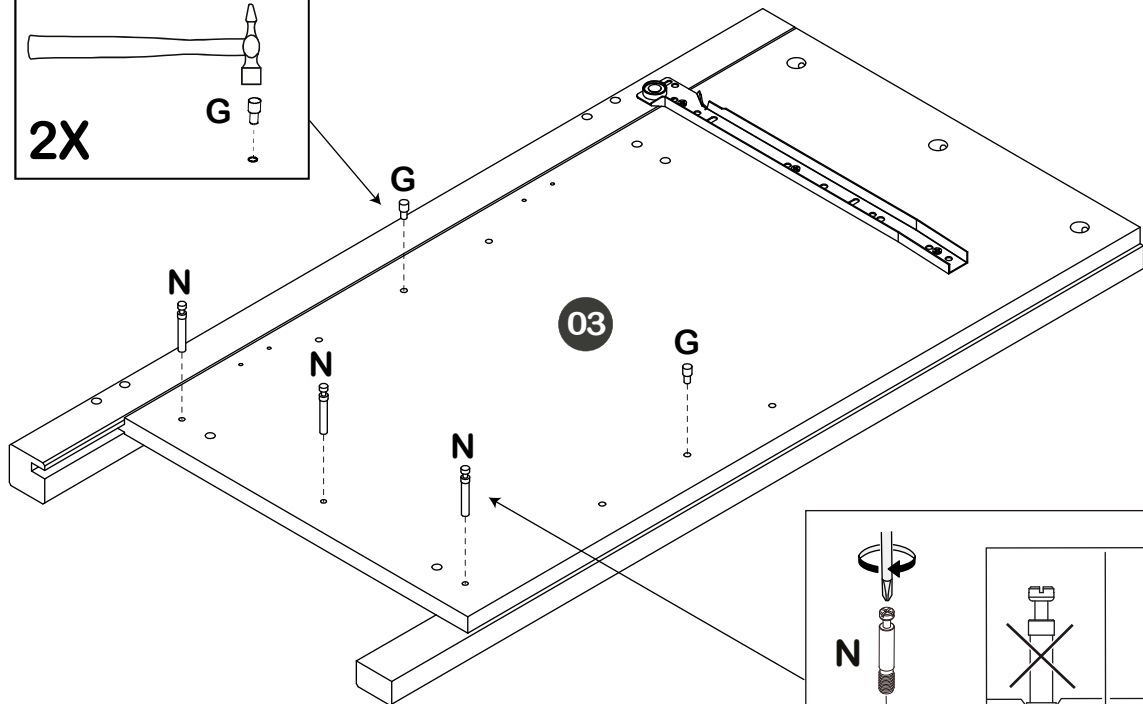
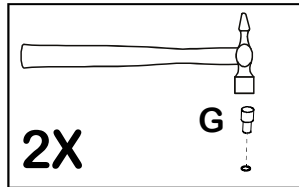


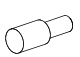
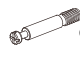

# 01



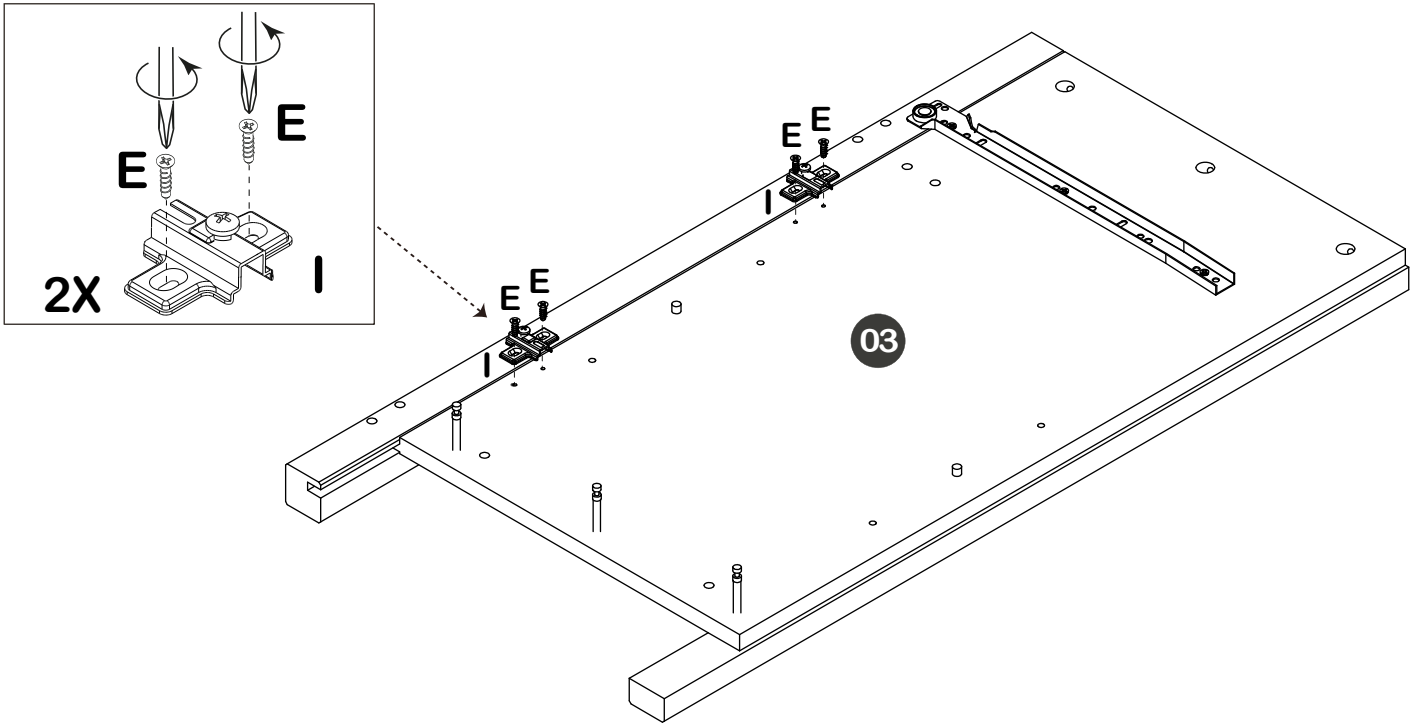
O	 6,0x10mm	03	Q	 Qa LEFT SET	01
---	---	----	---	--	----



# 02



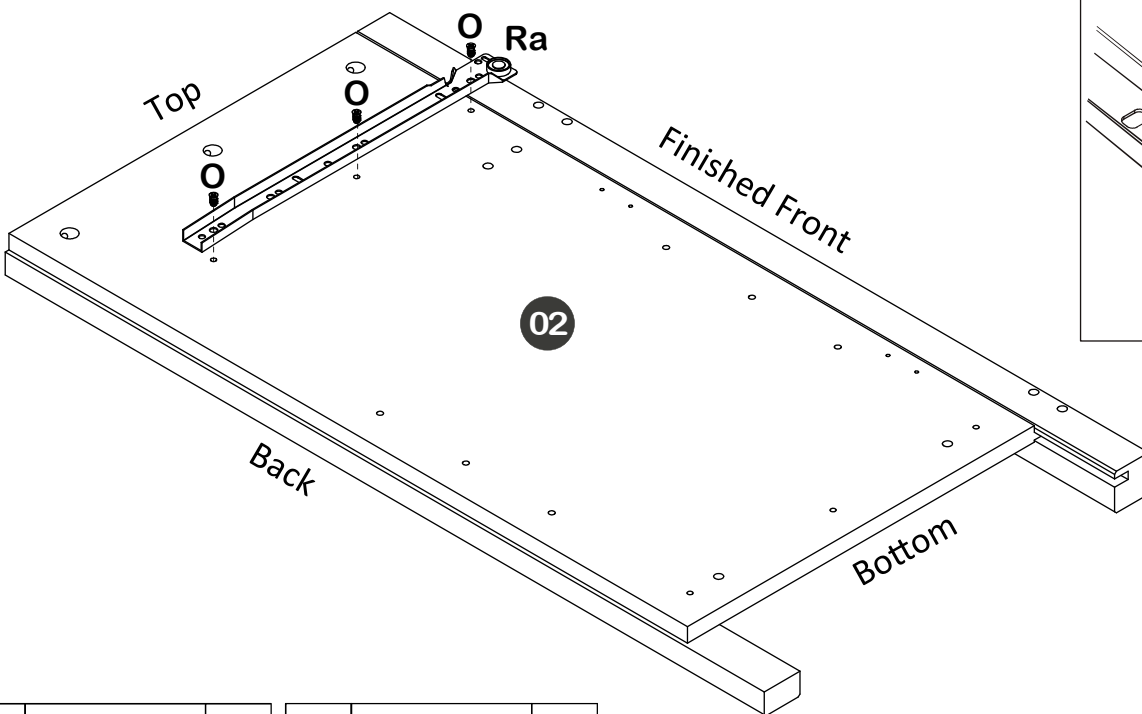
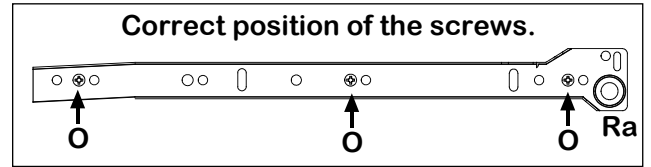
G		02
N	 OR 	03



# 03



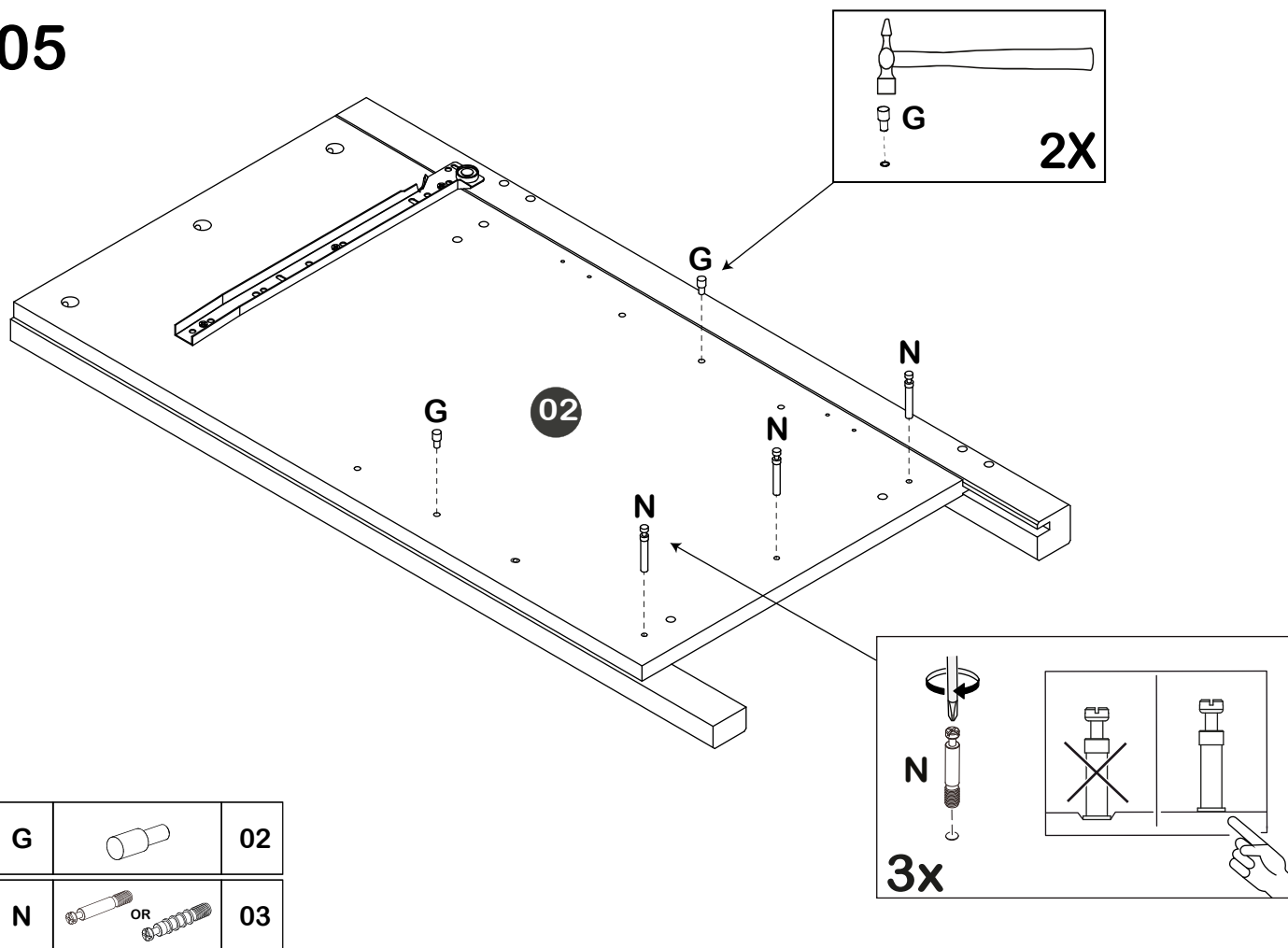
E	 4,0x16mm	04
I		02

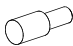
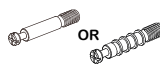
# 04



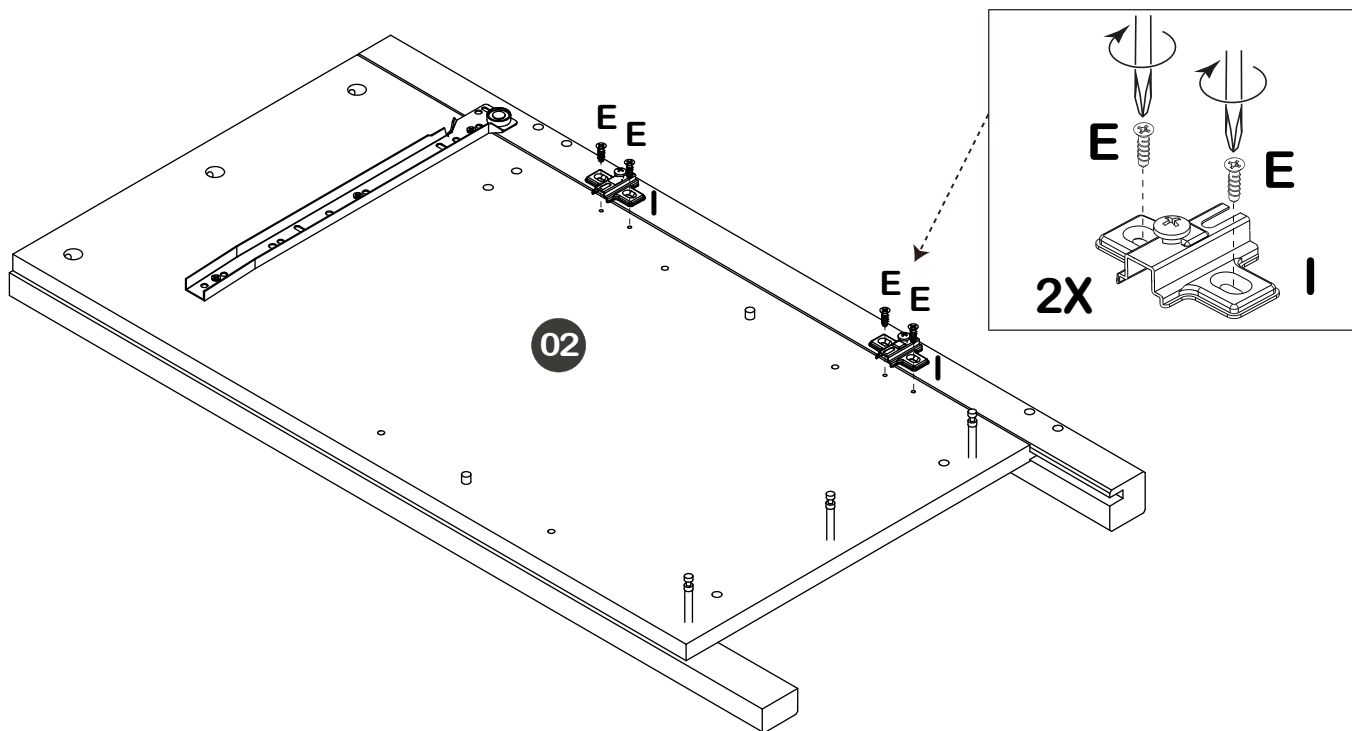
O	 6,0x10mm	03	R	 Ra RIGHT SET	01
---	---	----	---	--	----



# 05



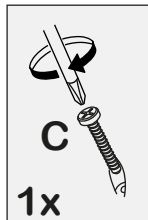
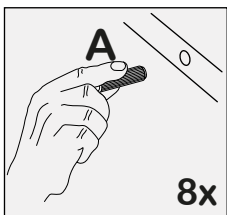
G		02
N		03

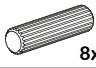
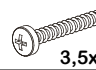

# 06

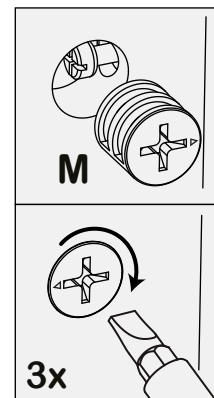
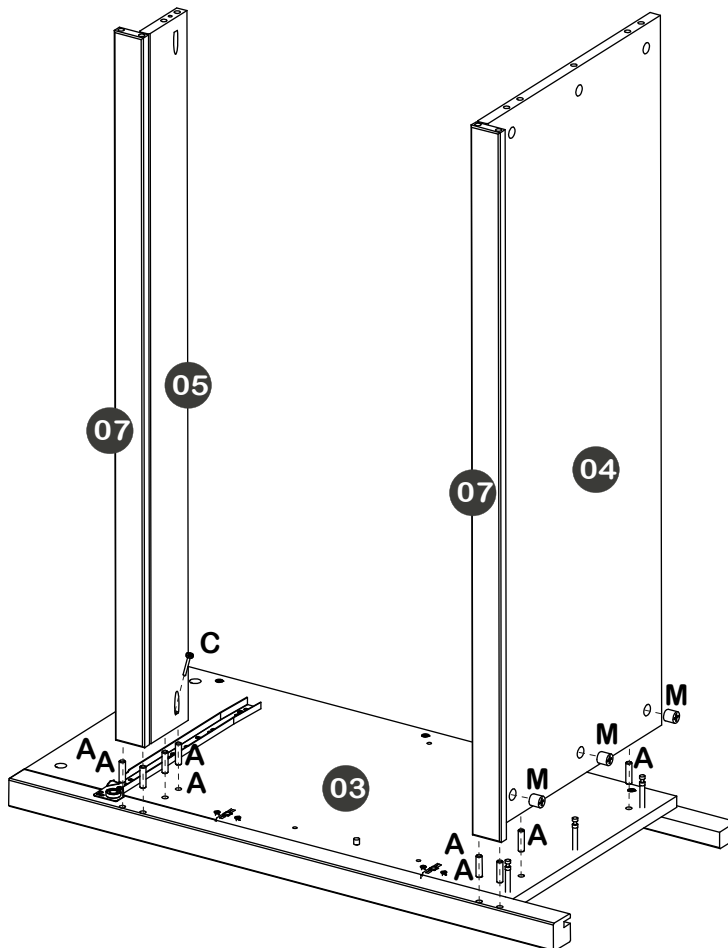


E	 4,0x16mm	04
I		02

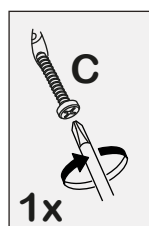
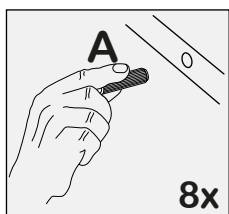
# 07

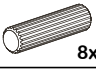
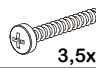



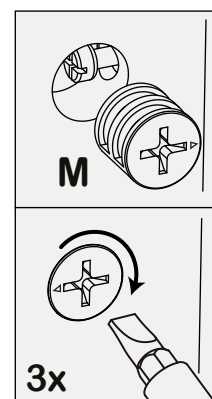
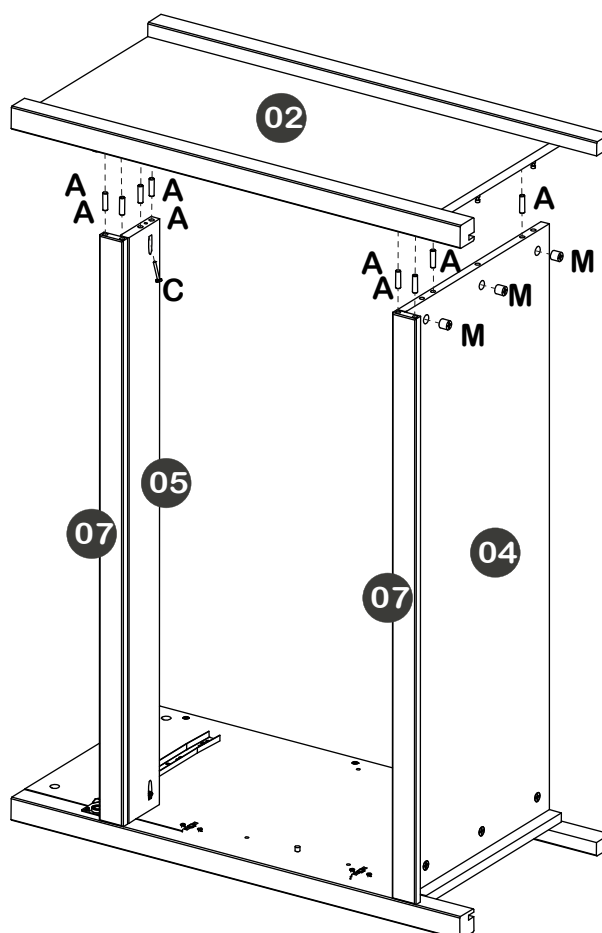
<b>A</b>	 8x30mm	<b>08</b>
<b>C</b>	 3,5x30mm	<b>01</b>
<b>M</b>		<b>03</b>



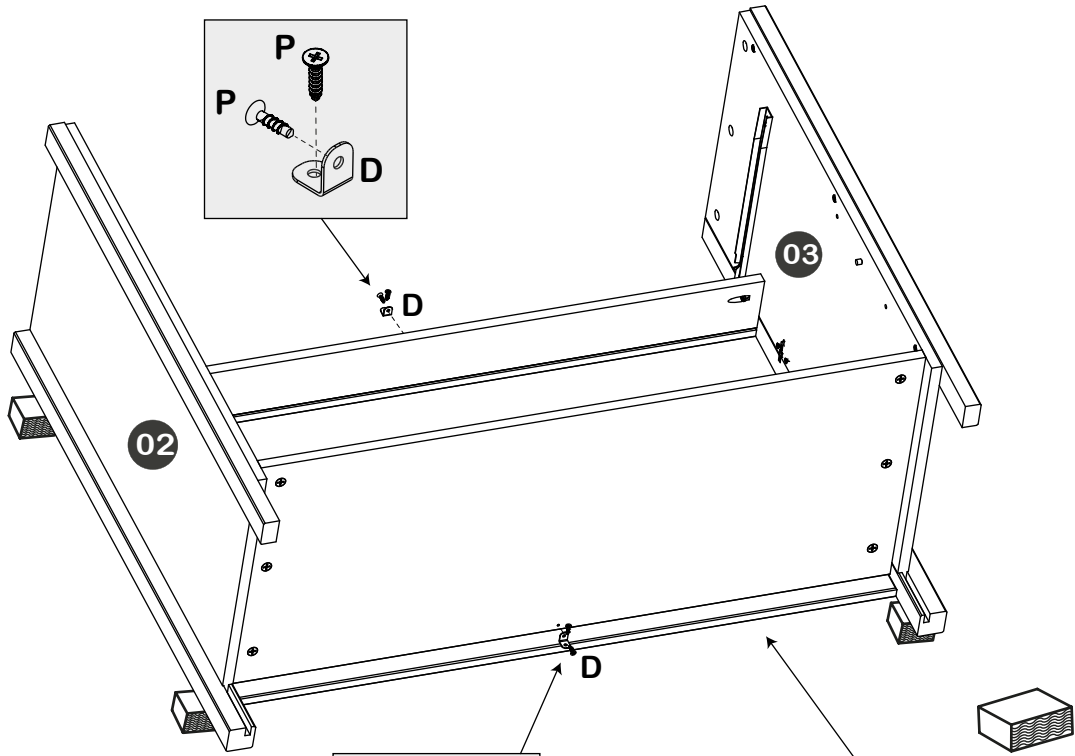
# 08


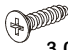


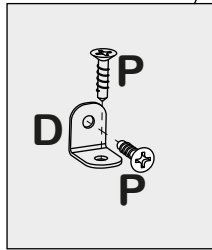
<b>A</b>	 8x30mm	<b>08</b>
<b>C</b>	 3,5x30mm	<b>01</b>
<b>M</b>		<b>03</b>



# 09

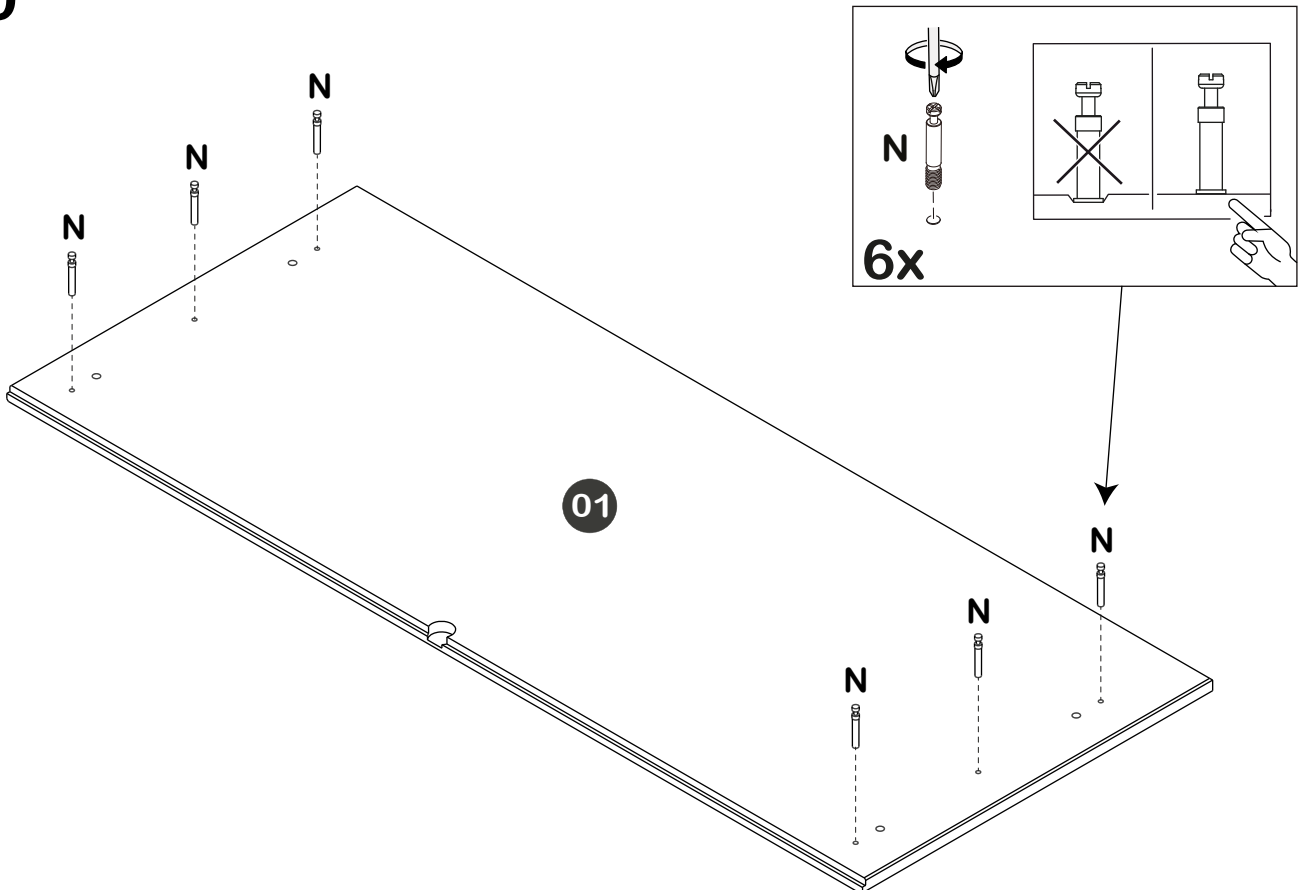


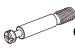

D	 12x16mm	02
P	 3,0x16mm	04



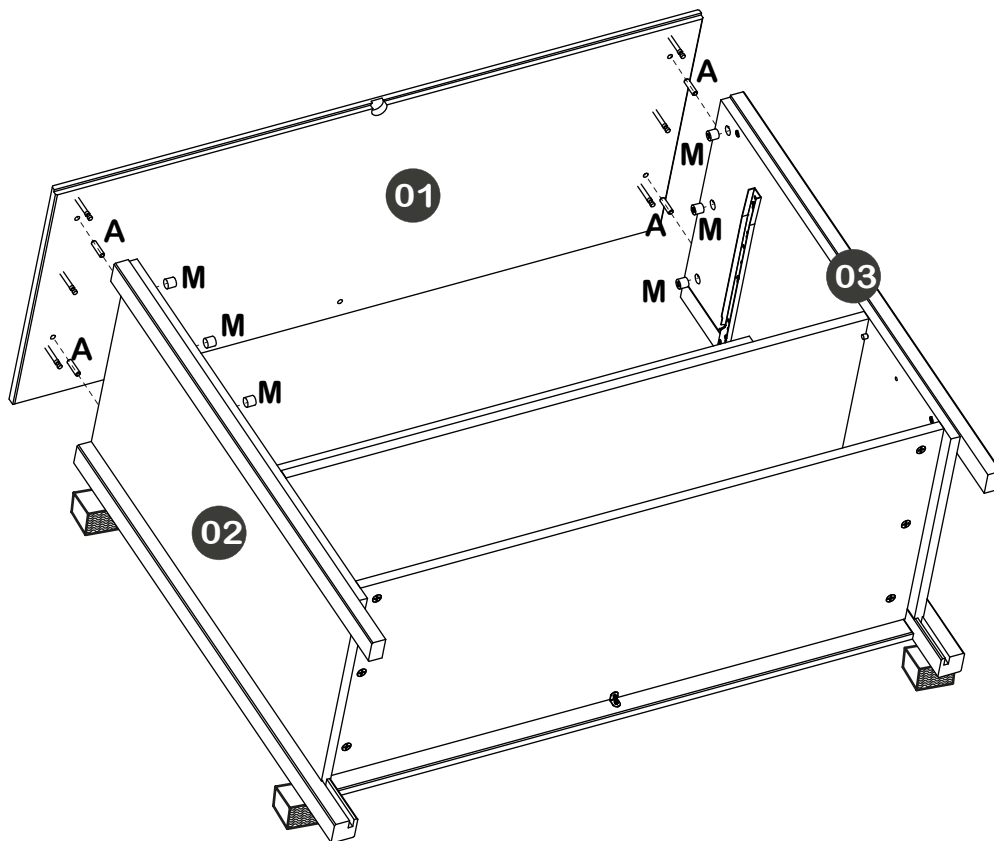
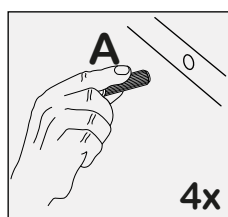
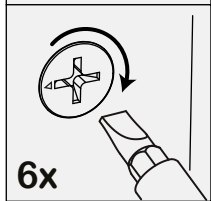
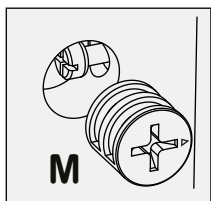
Tip: To not damage the top panel edge, place a piece of cardboard under the top panel, and in the gap under the side panel allowing a better control.

# 10



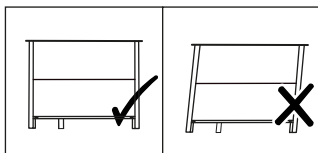
N	 OR 	06
---	--	----

# 11

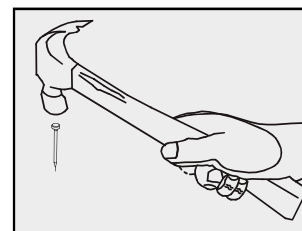


M		06	A		04
				8x30mm	

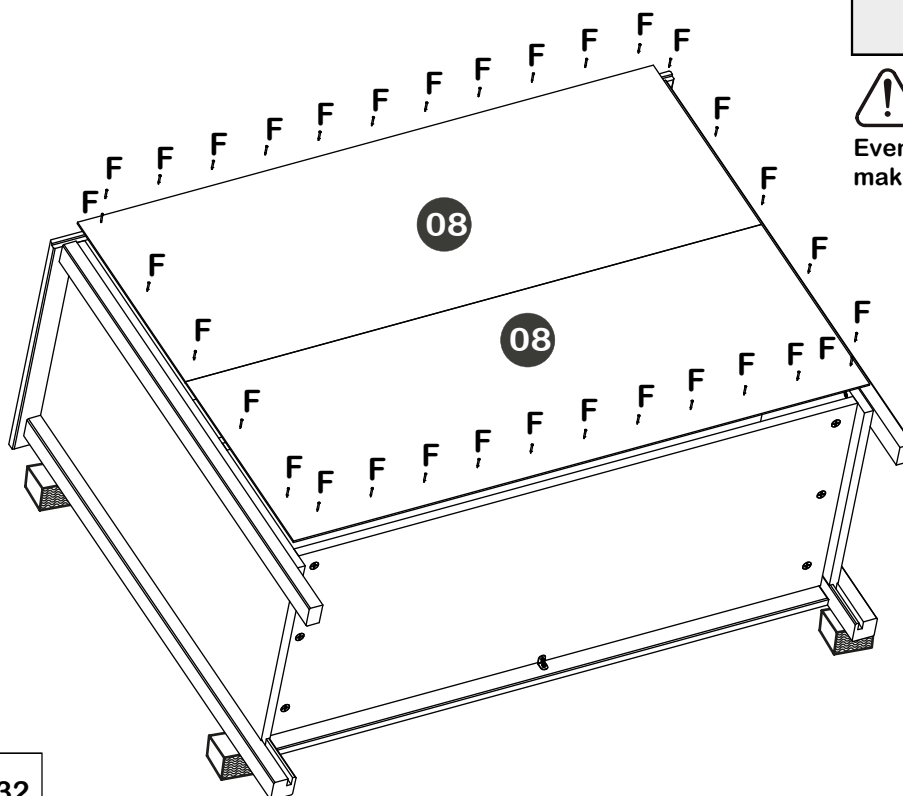
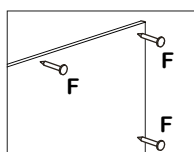
# 12



**Important:** Cabinet **MUST** be 'square' when back panel is attached.



**Use all back panels nails.** Evenly spaced, they help make the unit strong.

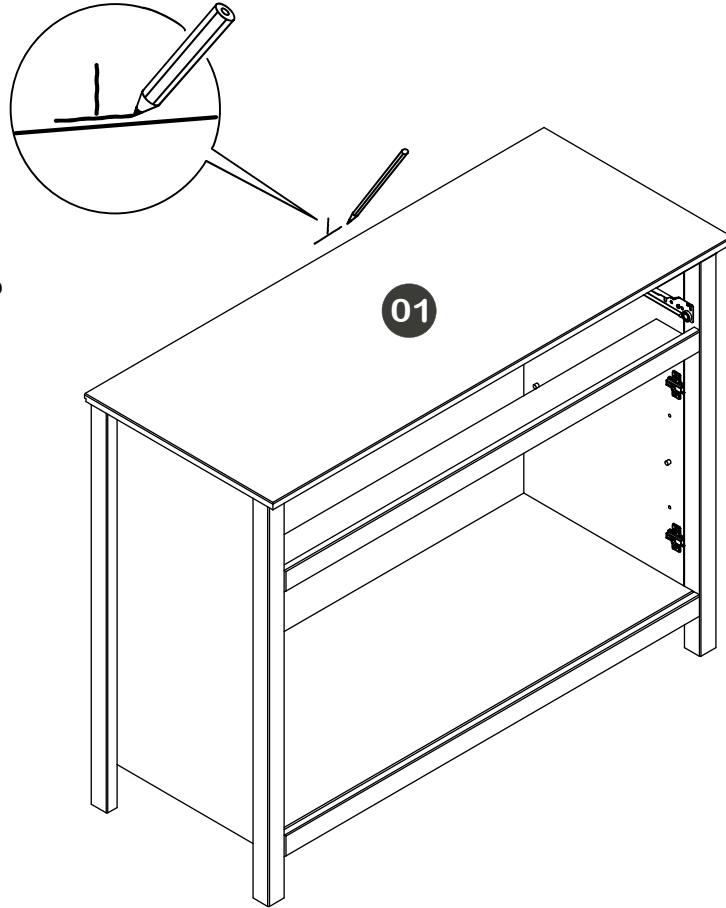


F		32
---	--	----

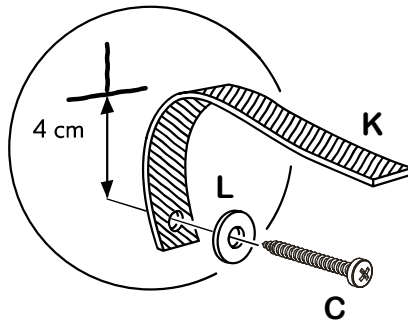
# 13



Position the furniture into place and make a mark to the wall, as shown.



# 14

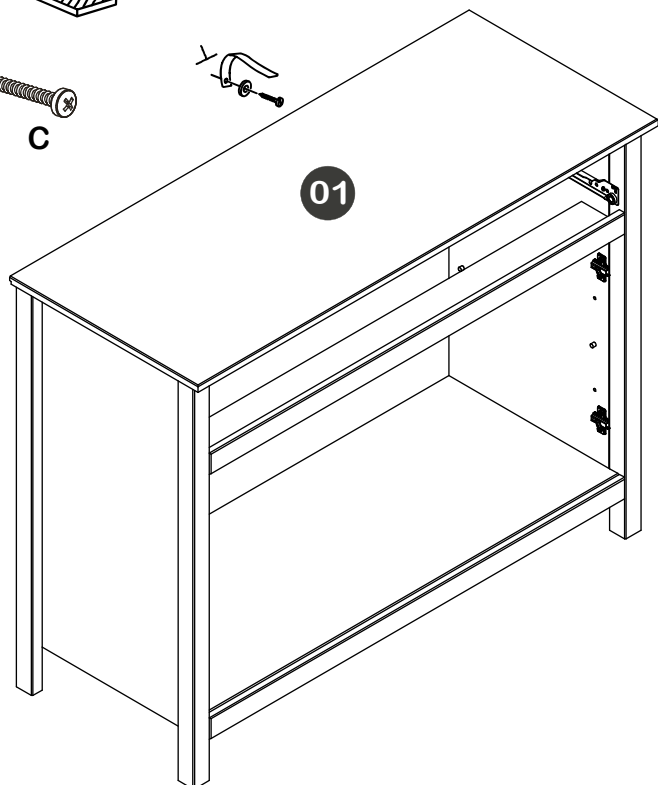





With help, carefully move the furniture away to access the mark in the wall.

Drill hole on wall 4 cm below the mark, as shown in the diagram.



Before drilling, check wall for hidden pipen and cables.

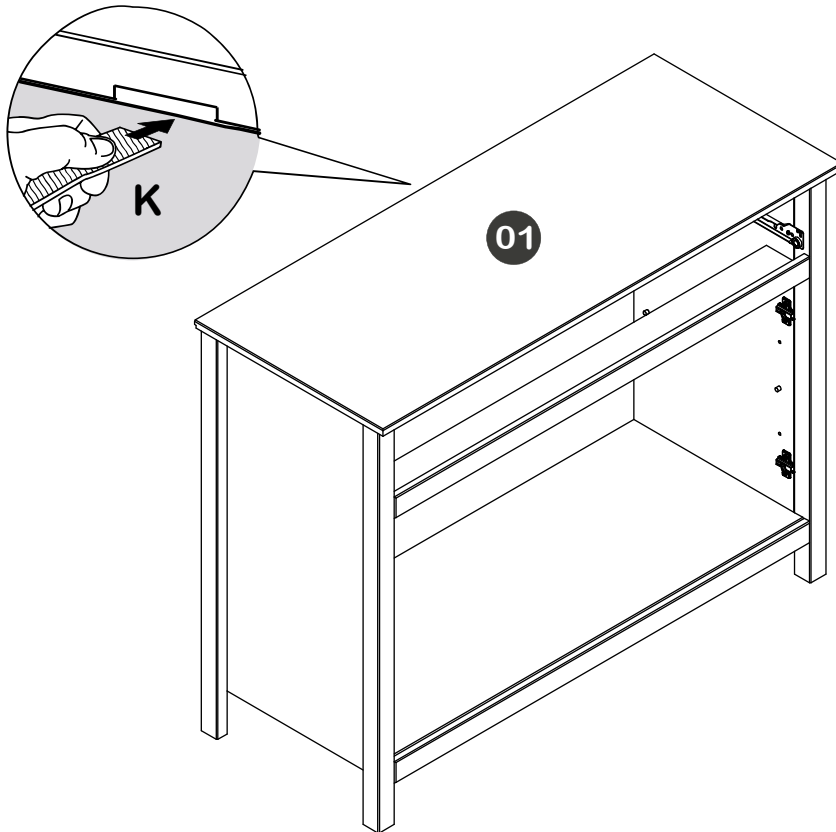


C	 3,5x30mm	01
K		01
L		01

# 15



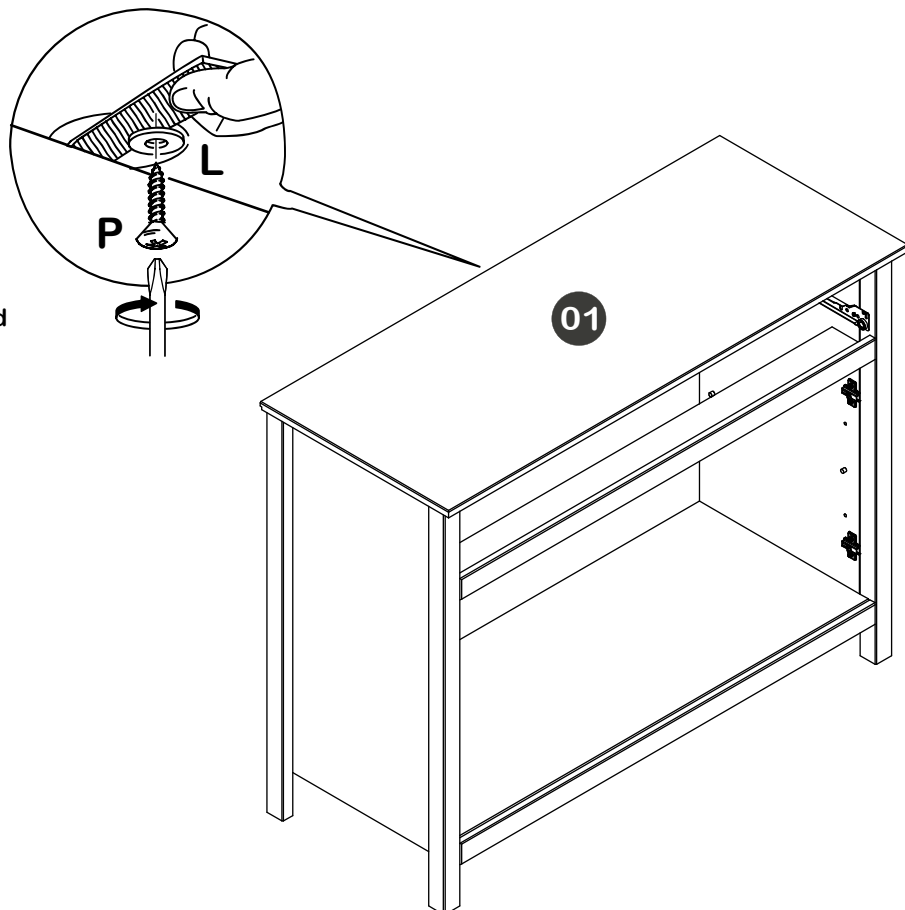
With help, carefully move the furniture back to position and insert wall strap into slot on top panel, as shown.





# 16



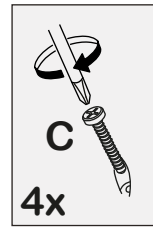
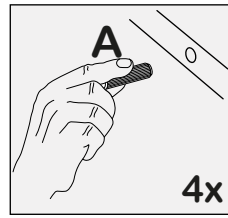
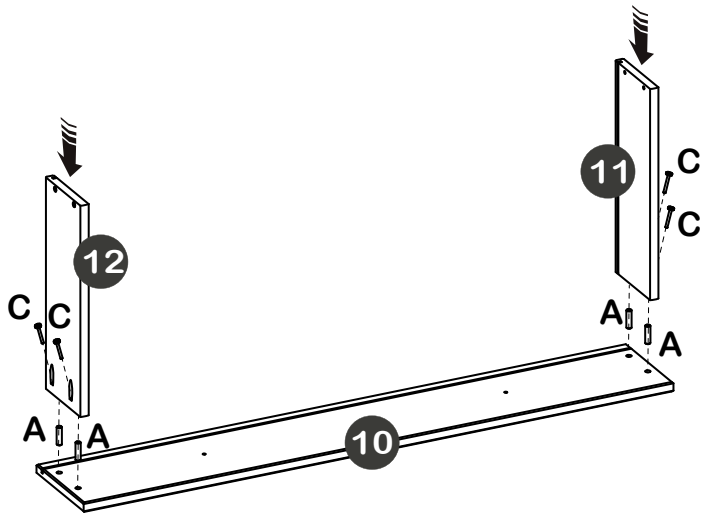
Inside the cabinet, hold wall strap in position and fix it using washer and screw, as shown.



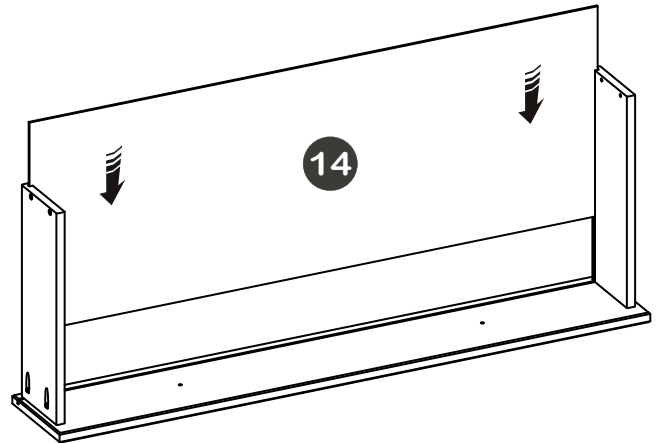
P	 3,0x16mm	01
L		01

# 17

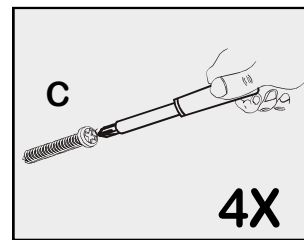
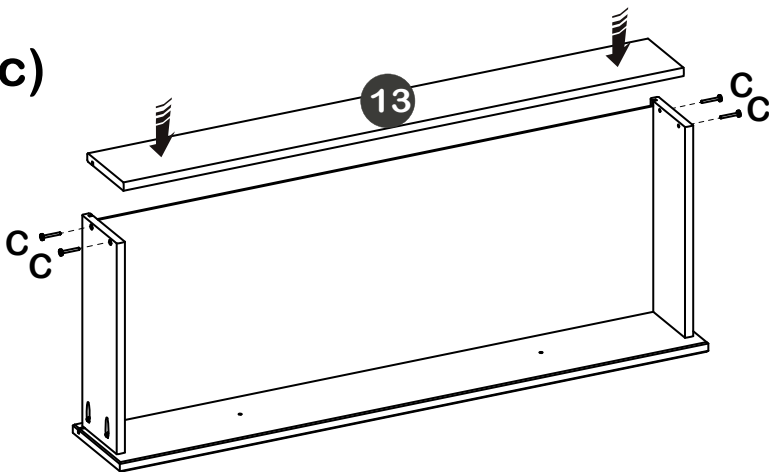
a)



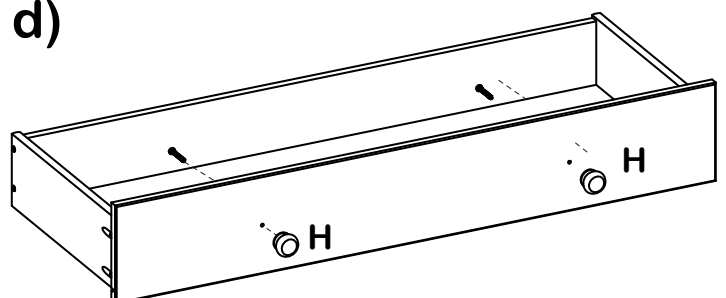
b)

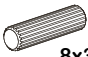





c)

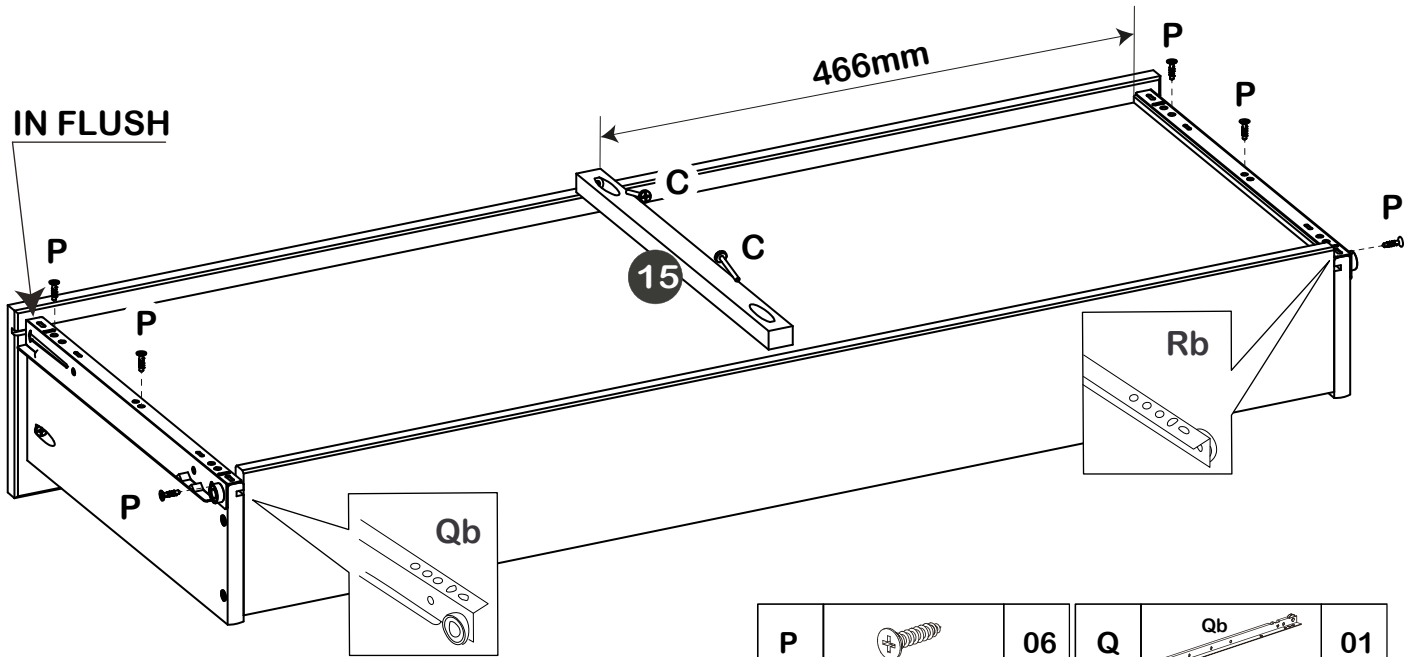
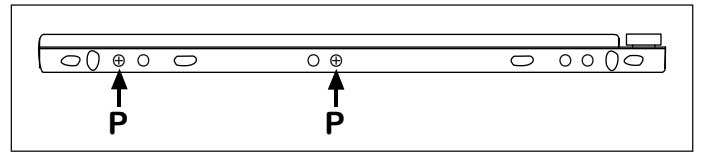
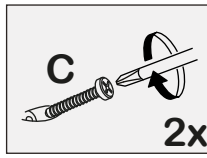


d)



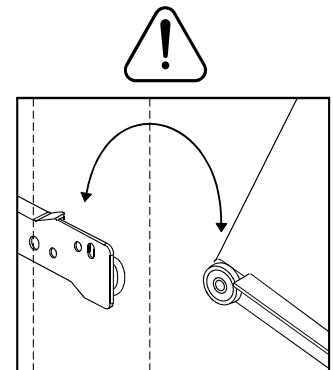
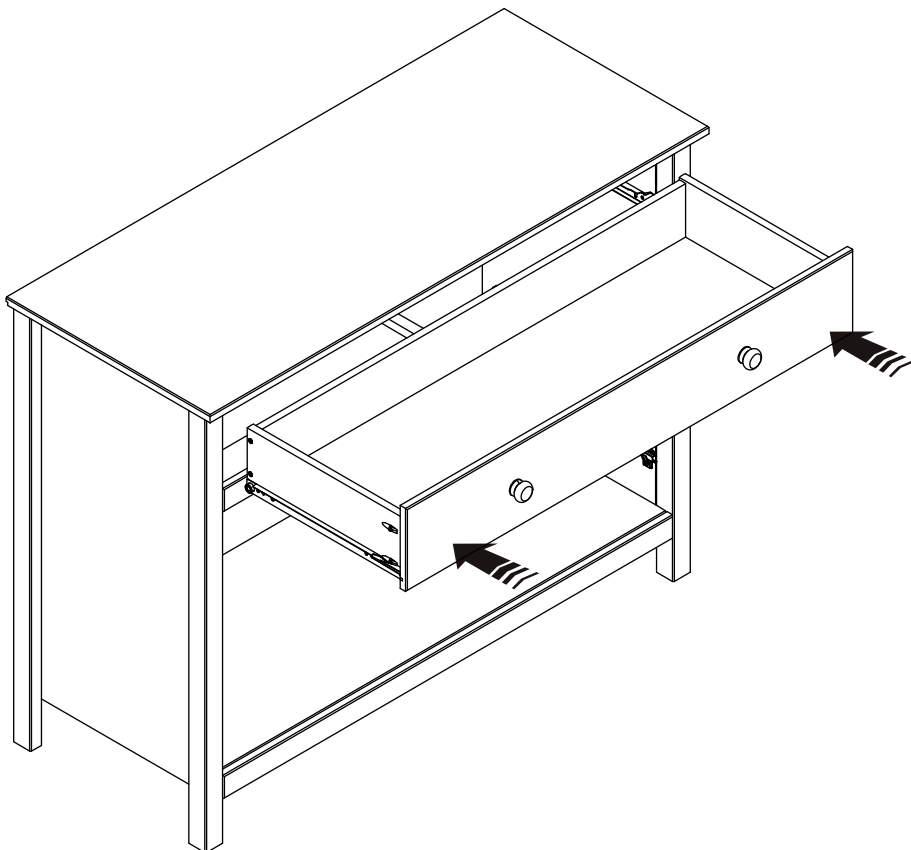
A	 8x30mm	04
B	 4x40mm	02
C	 3,5x30mm	08
H		02

# 18

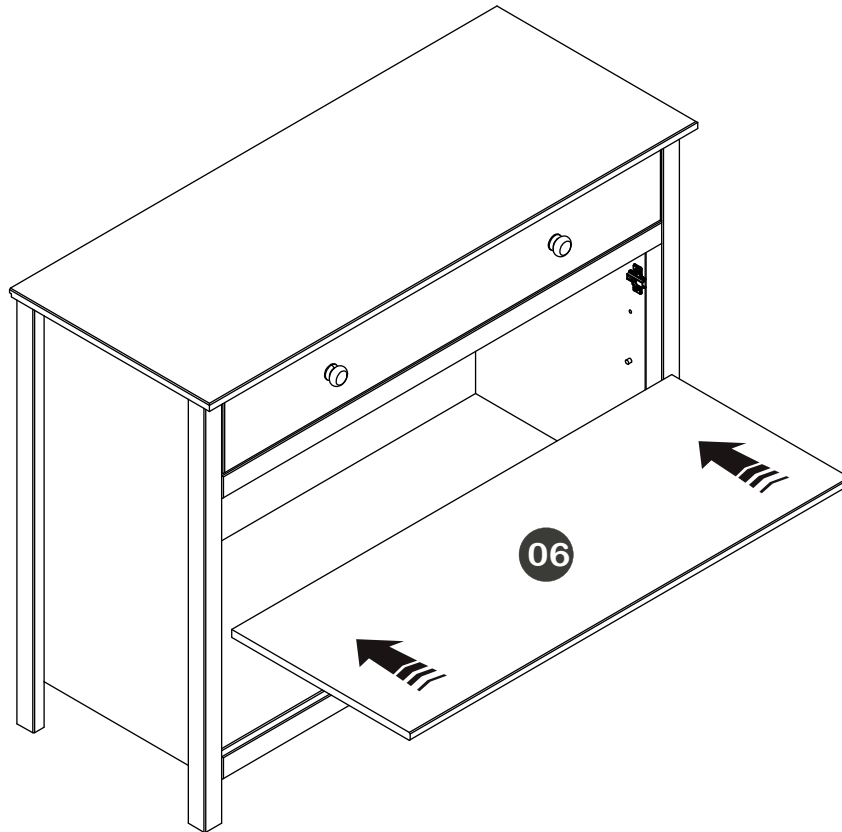


P		06	Q		01
C		02	R		01

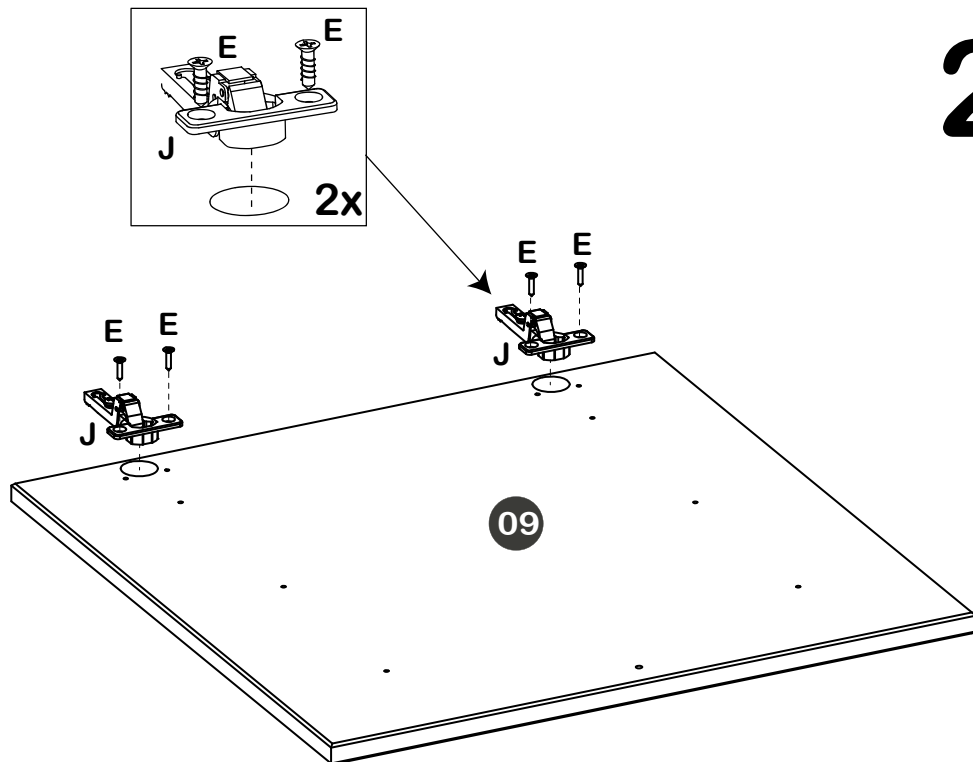
# 19





20



21

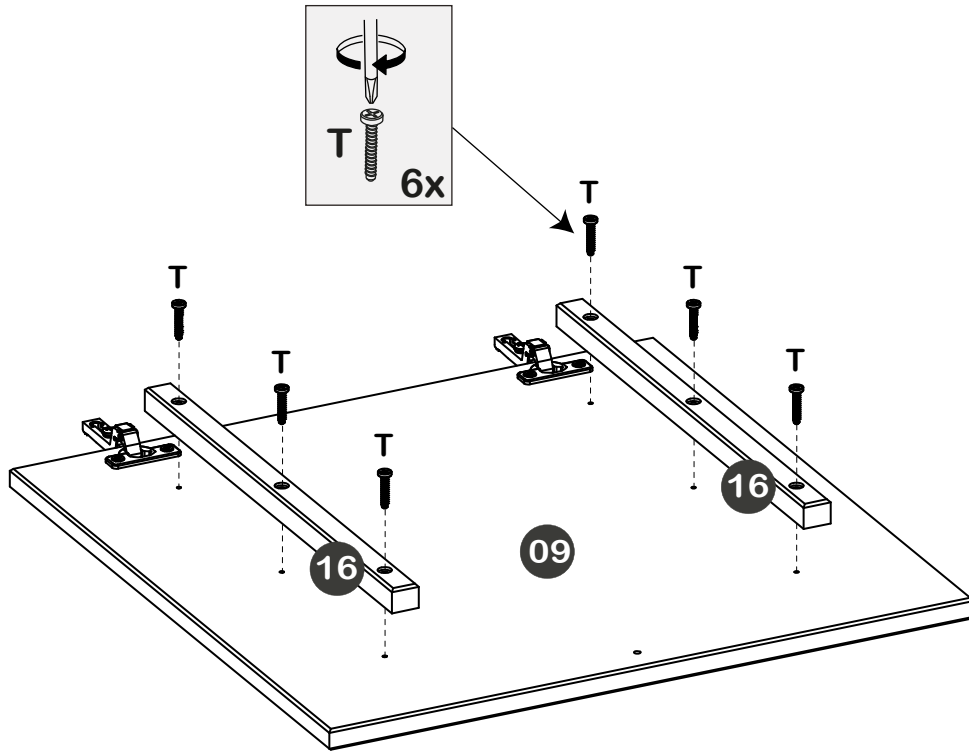



2x

E	 4x16mm	08	J		04
---	---	----	---	---	----

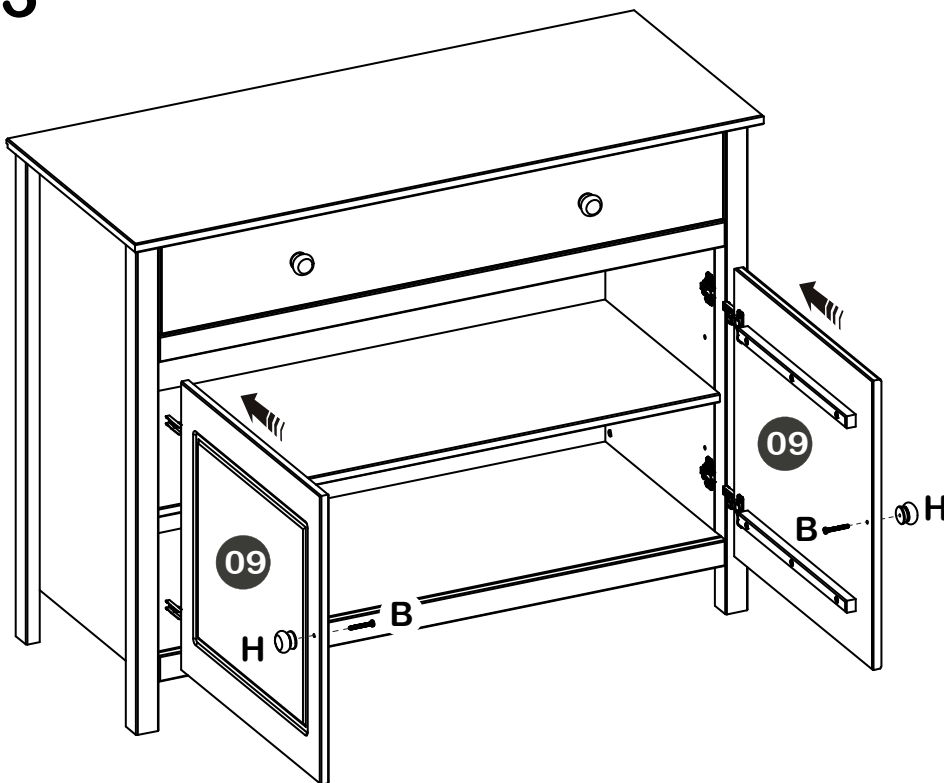
22

2x

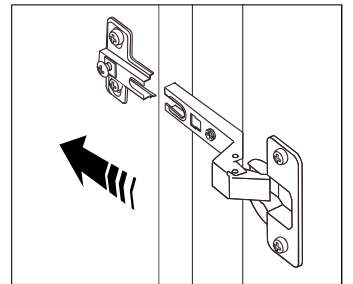


T		12
	4x25mm	

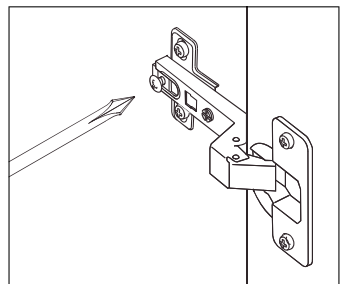
23





a:



b:



B		02	H		02
	4x40mm				

