


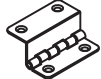




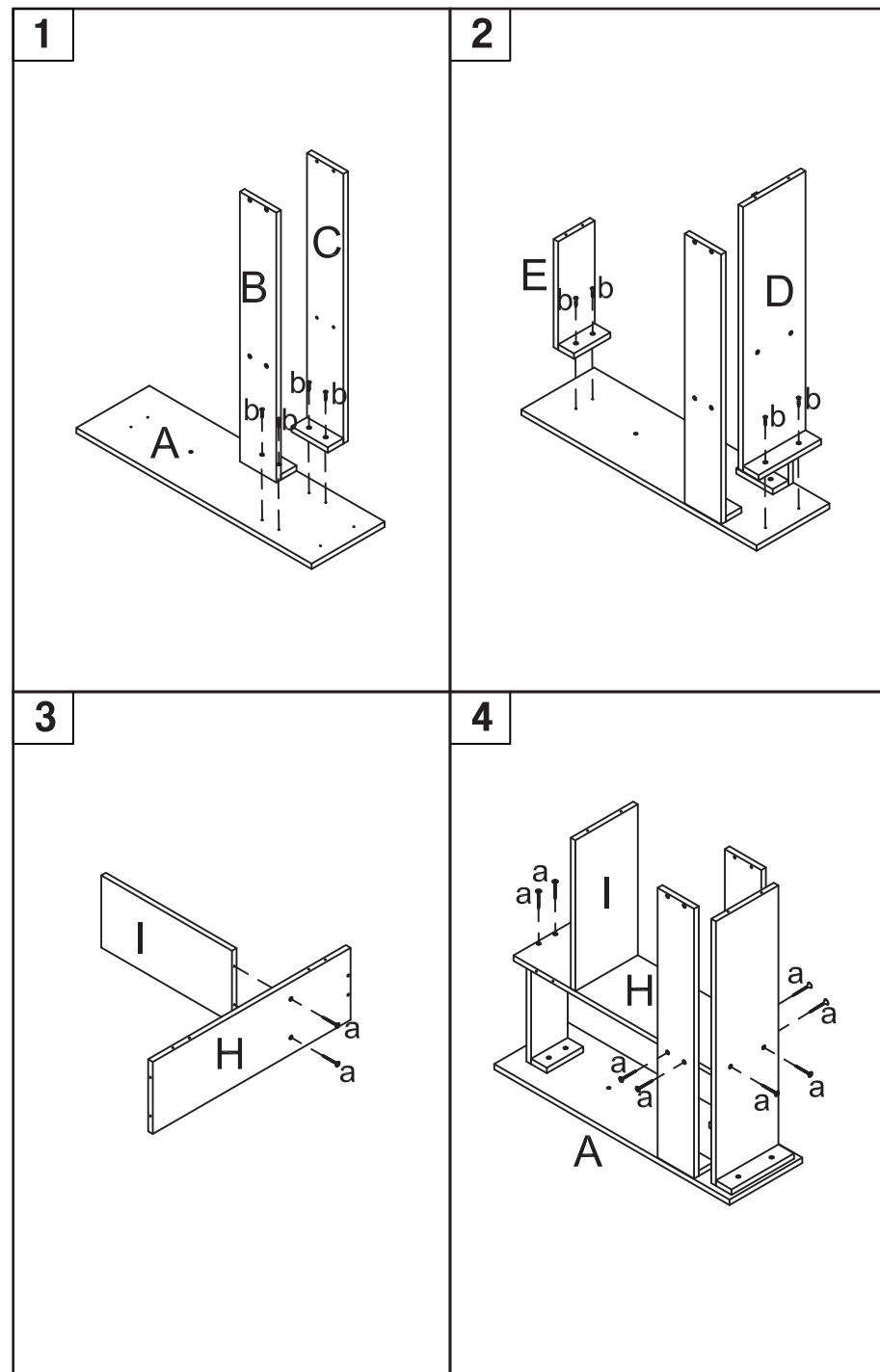
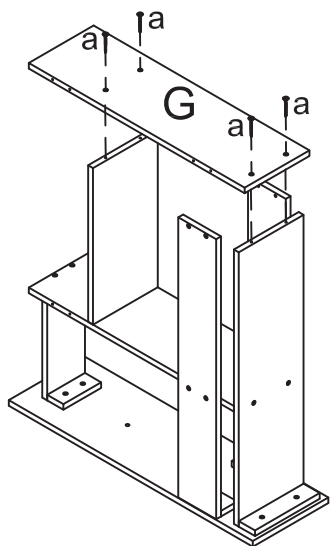
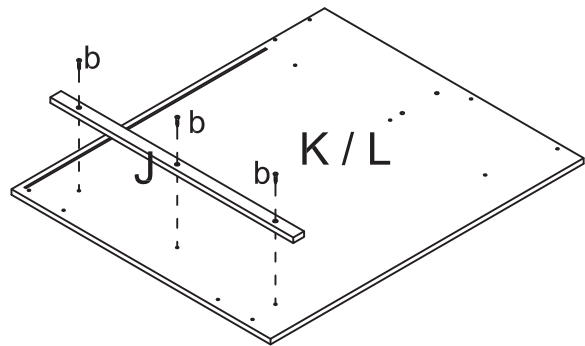
 a x 56 3 x 25mm	 b x 14 3 x 14mm	 c x 2 4 x 25mm
 d x 8 3 x 8mm	 e x 2	 f x 4 5 x 30mm
 g x 2	 h x 22 Ø 12mm	 i x 2 Ø 9mm



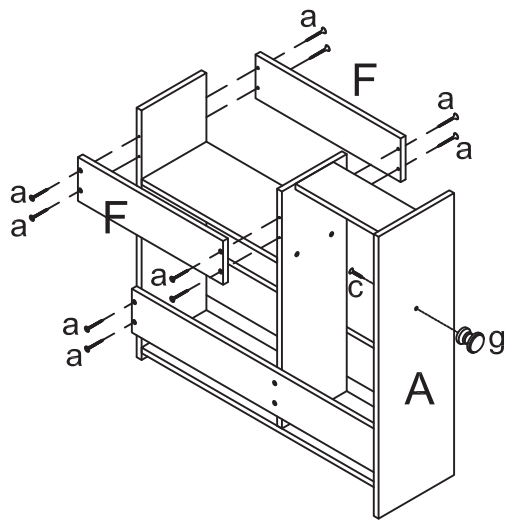
5



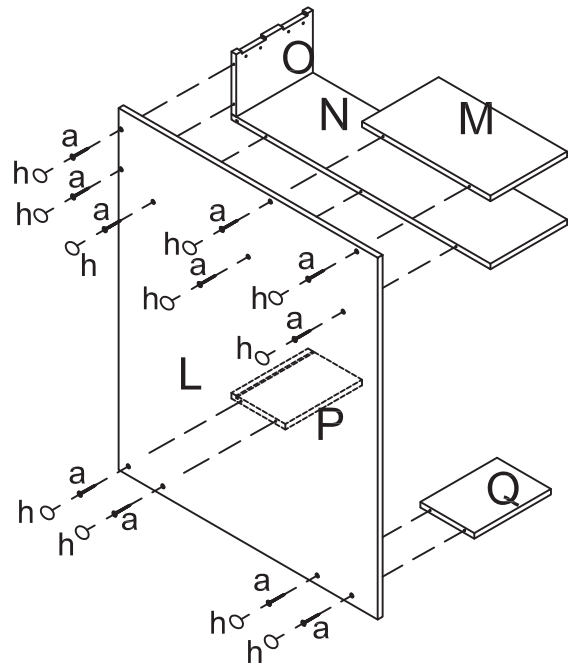
7



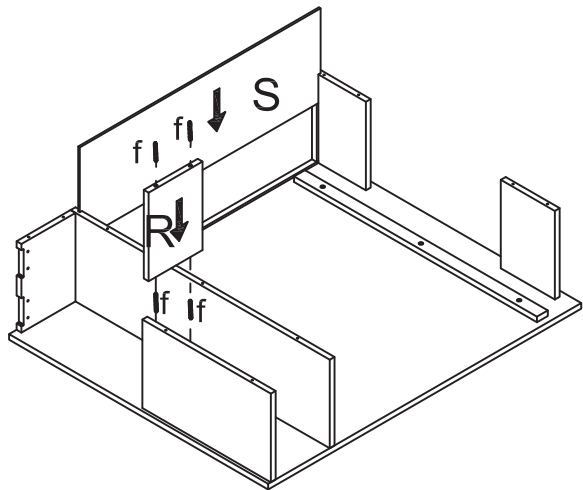
6



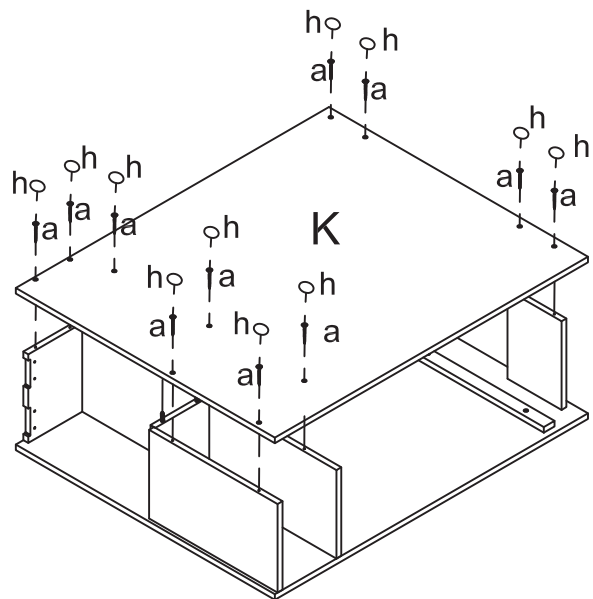
8



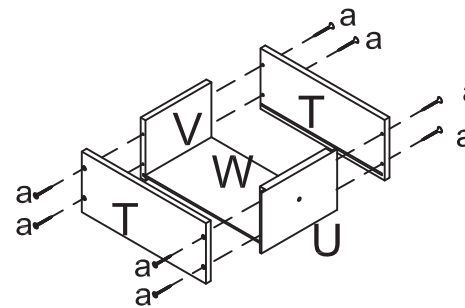
9



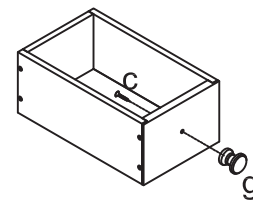
10



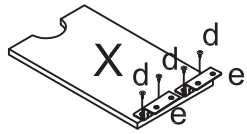
11



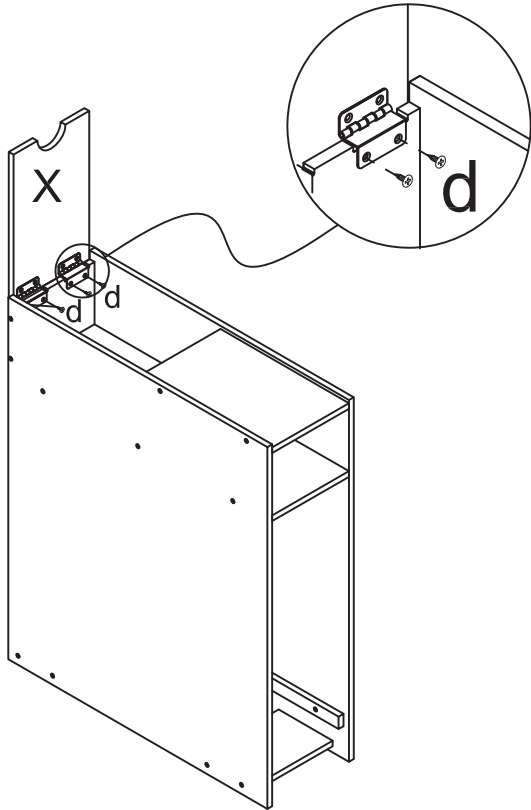
12



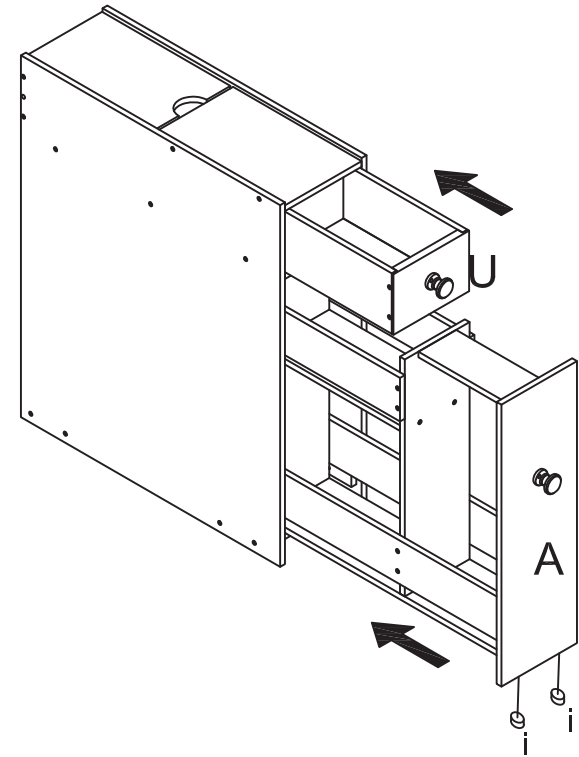
13



14



15



16

