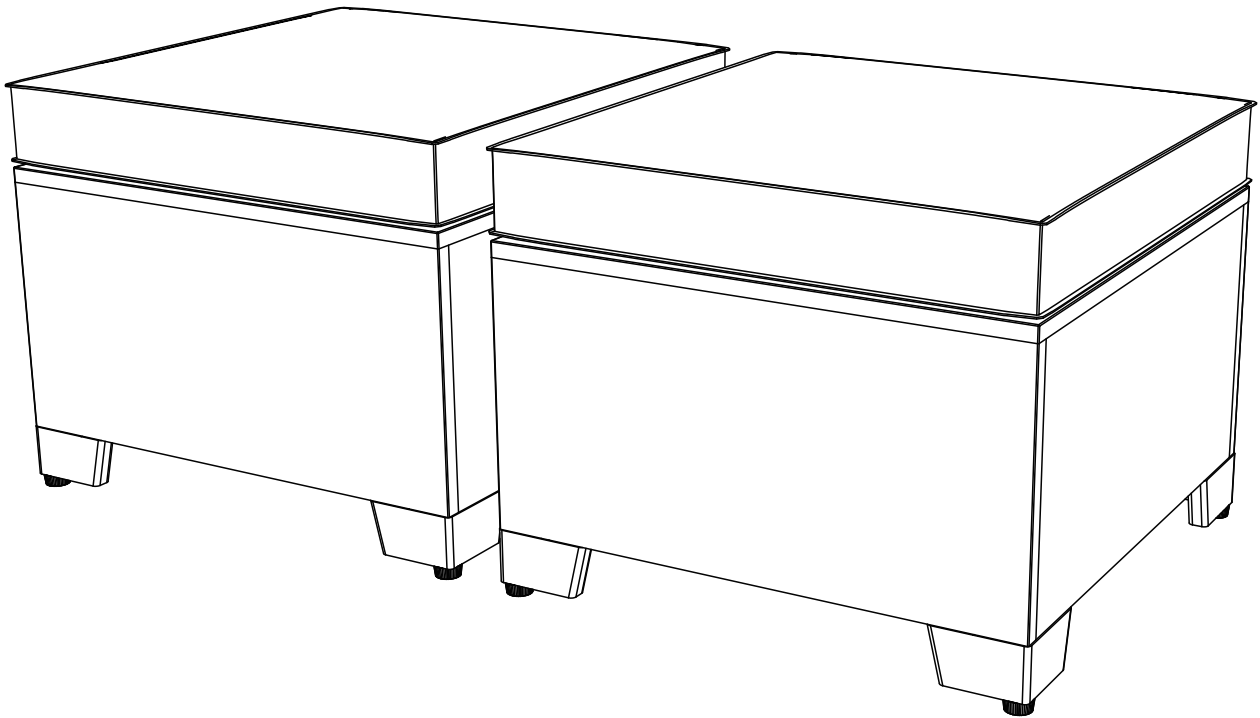


Wicker Footstool 2pcs

If you have any questions about the footstool , please feel free to contact us.



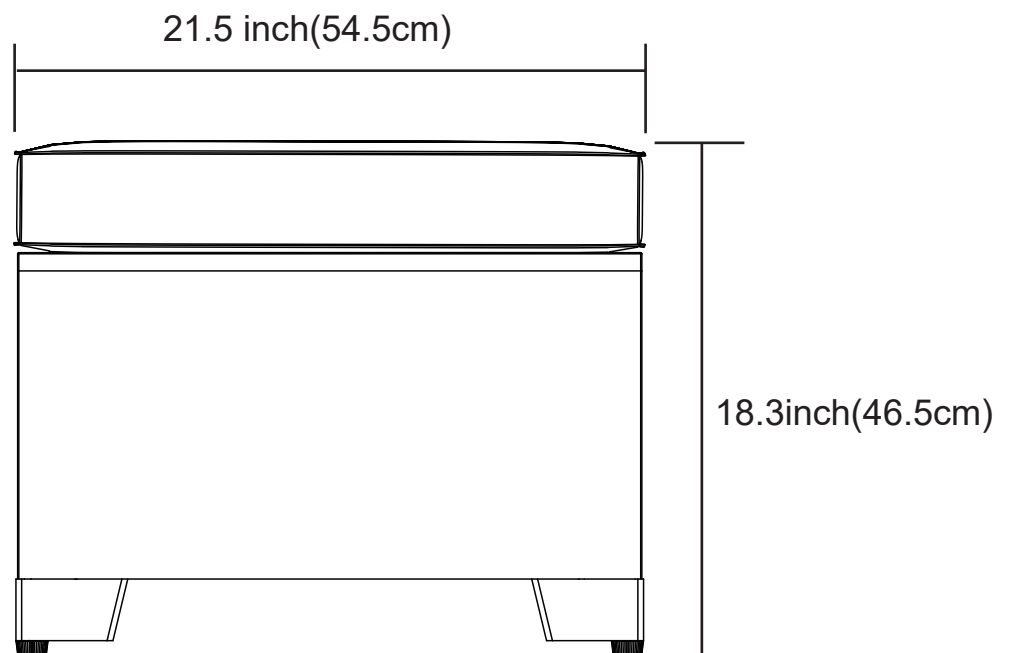
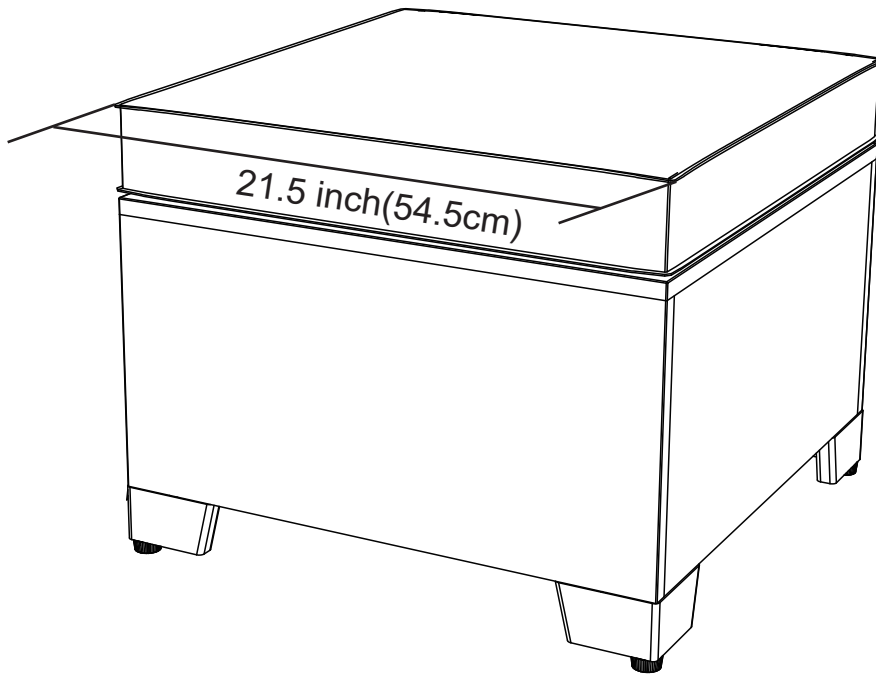
P25127-S1

IMPORTANT

PLEASE READ BEFORE YOU COMMENCE ASSEMBLY

Follow the guidelines in this user guide to ensure correct assembly and care for this product.

SPECIFICATIONS



Catalog

Specifications.....	01
Notice.....	03
Part List And Extra	04
How to Assemble The Footstool	05

Before You Begin

Assembly Instructions:

Instructions are supplied in this manual and contain all appropriate information for your building model.

Review all instructions before you begin and during assembly, follow the step sequence carefully for correct results.

Parts and Parts List:

Check to be sure that you have all the necessary parts for building.

Separate contents of the carton by the part number while reviewing parts list.

Familiarize yourself with the hardware and fasteners for easier use during construction.

The first few steps show how to join related parts which is to obtain larger sub-assemblies be used later.

All parts are packaged within the carton.

Note that extra fasteners have been supplied for your convenience.

In order to prolong the footstool's service life,we suggest that you put all the cushions indoor on a rainy day.

We hope you can enjoy our product,if you have any other problem,please feel free to contact us.

How to Cover Holes & Repair Broken Wicker



Step 1



Step 2



Step 3

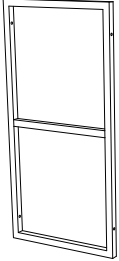
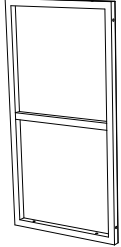
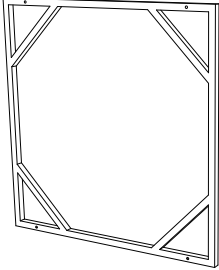
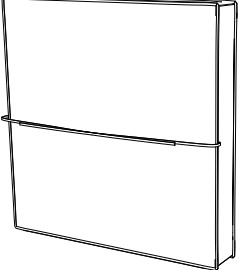
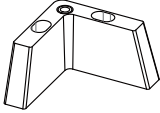


Step 4

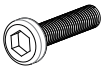
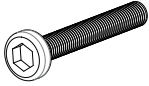

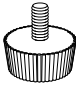

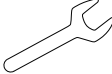
You can use two pieces PE wicker to cover the hole,and repeat the steps to cover all the holes. These PE wicker can also be used to repair the scratch or broken wicker.

PART LIST

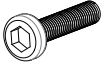
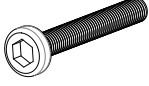

Parts List

<p>(L001)</p>  <p>Footstool Long side part</p>	<p>(L002)</p>  <p>Footstool Short side part</p>	<p>(L003)</p>  <p>Footstool Top part</p>	<p>(L004) (L005)</p>  <p>Footstool Cushion</p>	<p>(L006)</p>  <p>High L-Shaped Feet</p>
4 PCS	4 PCS	2 PCS	2 PCS	8 PCS

Screw Set

<p>(A)</p>  <p>M6x30</p>	<p>(B)</p>  <p>M6x60</p>	<p>(C)</p>  <p>Washer Nut</p>
24 PCS	16 PCS	16 PCS
<p>(D)</p>  <p>Adjustable Screws</p>	<p>(E)</p>  <p>Spanner</p>	<p>(F)</p>  <p>Wrench</p>
8 PCS	1 PC	1 PC

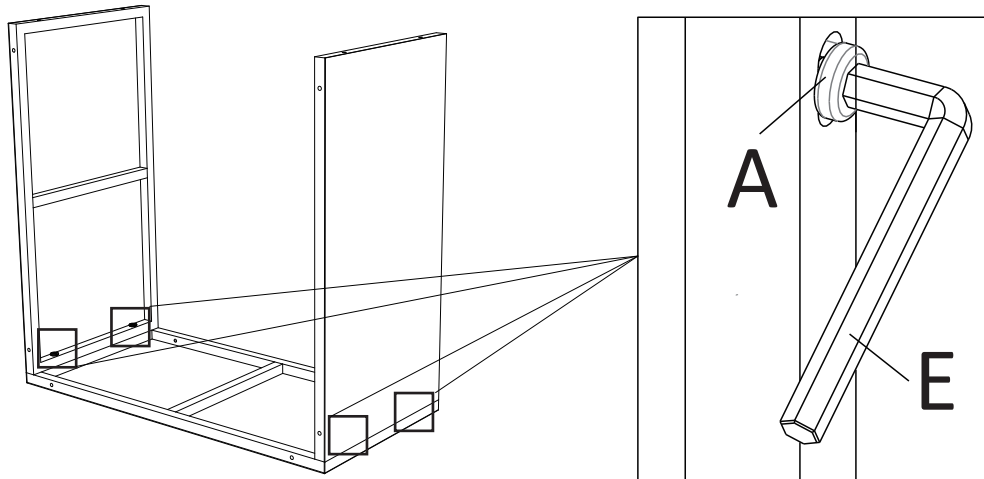
Extra(Screw Set)

<p>(A)</p>  <p>M6x30</p>	<p>(B)</p>  <p>M6x60</p>	<p>(C)</p>  <p>Washer Nut</p>
3 PCS	2 PCS	2 PCS

How to Assemble The Footstool

Step 1: Assemble Footstool Short Side Part(L002) and Footstool Long Side Part (L001).

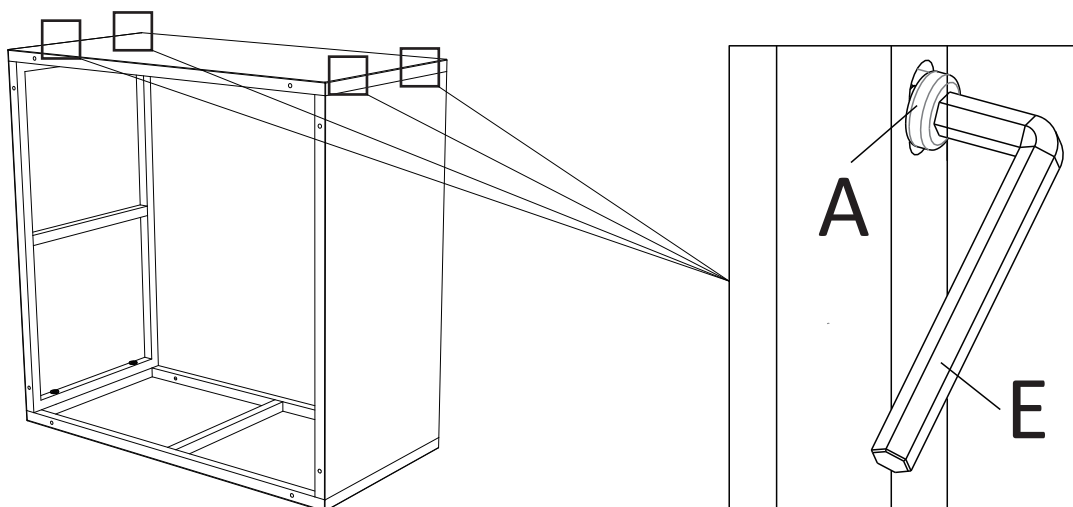
NOTE: Do not tighten the screws all the way.



L001		x2	L002		x4	A		M6*30	x8
						E			x1

Step 2: Secure another Footstool Long Side Part(L001) to the assembly fitted in the previous step.

NOTE: Do not tighten the screws all the way.

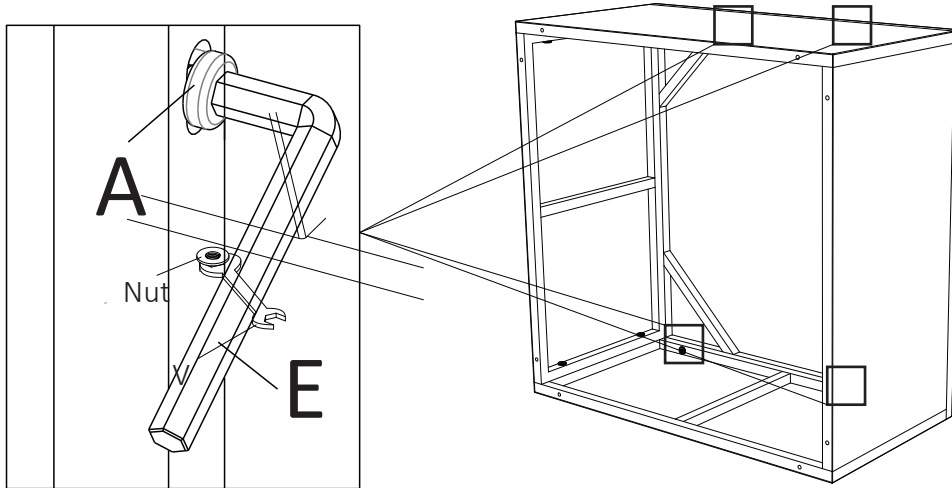


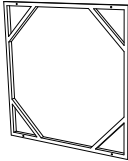


L001		x2	A		M6*30	x8
			E			x1

Installation steps

Step 3: Assemble Footstool Top part(L003).
NOTE: Do not tighten the screws all the way.

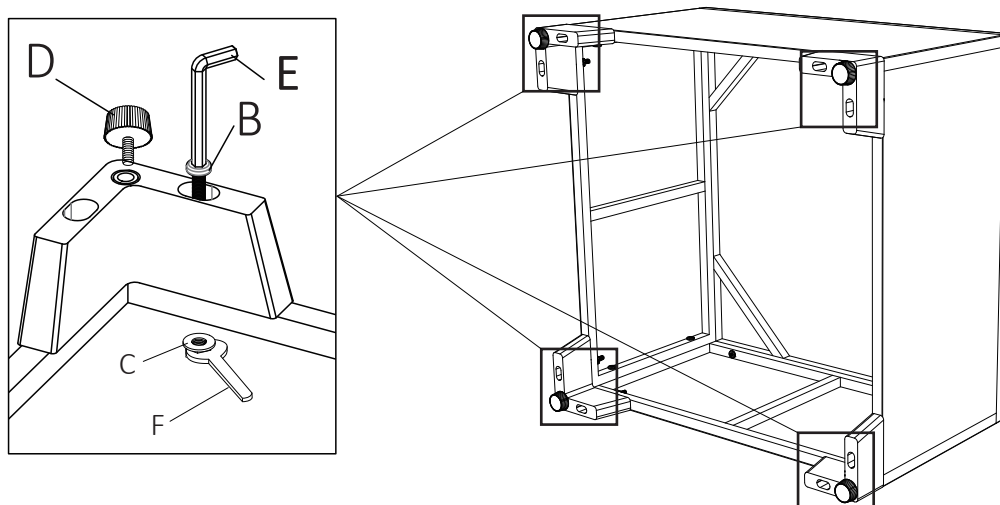
x2

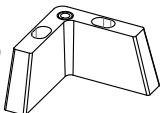
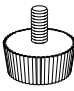

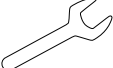




L003		x2	A	 M6*30	x8
			E		x1

Step 4: Assemble High L-Shaped Feet (L006) and the Adjustable Screws (D).
NOTE: Please tighten all screws.

x2

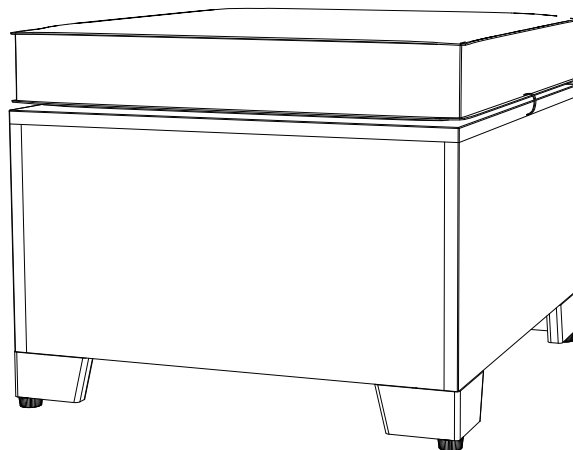
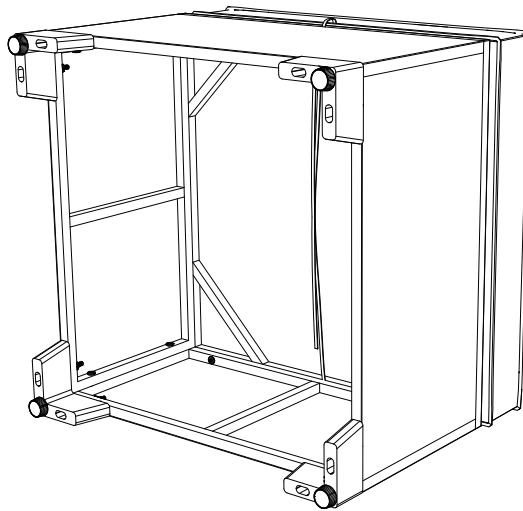
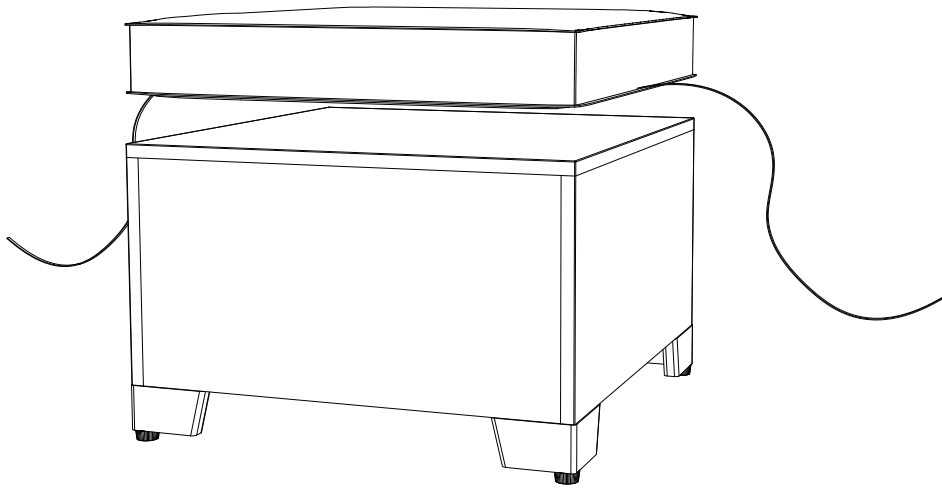


L006		x8	D		x8	B	 M6x60	x16	F		x1
			C		Washer Nut	x16	E		x1		

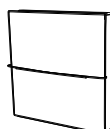
Installation steps

Step 5: Put the Footstool Cushions(L004) on the seat plate. Secure the cushion and footstool together beneath the cushion using string.

x2



L004+L005



x2