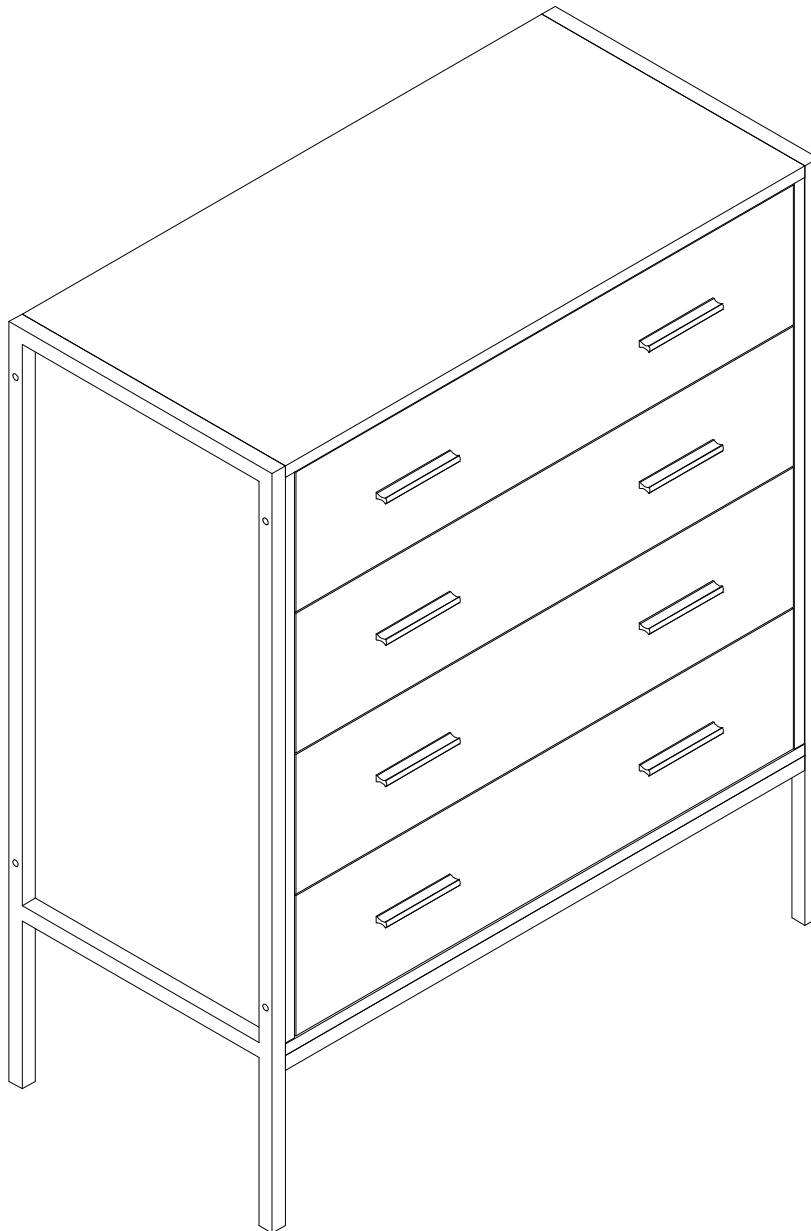


LOFT 4 DRAWER CHEST

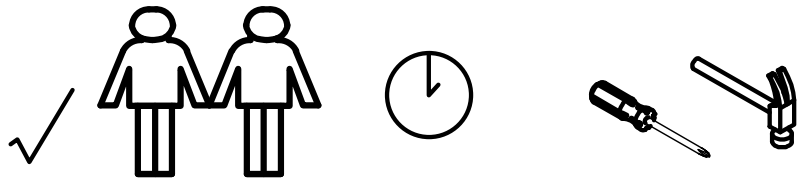
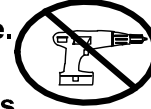
ASSEMBLY INSTRUCTION - Please Keep For Future Reference



Safety and Care Advice

IMPORTANT - Please Read This Instruction Carefully Before Assembly.

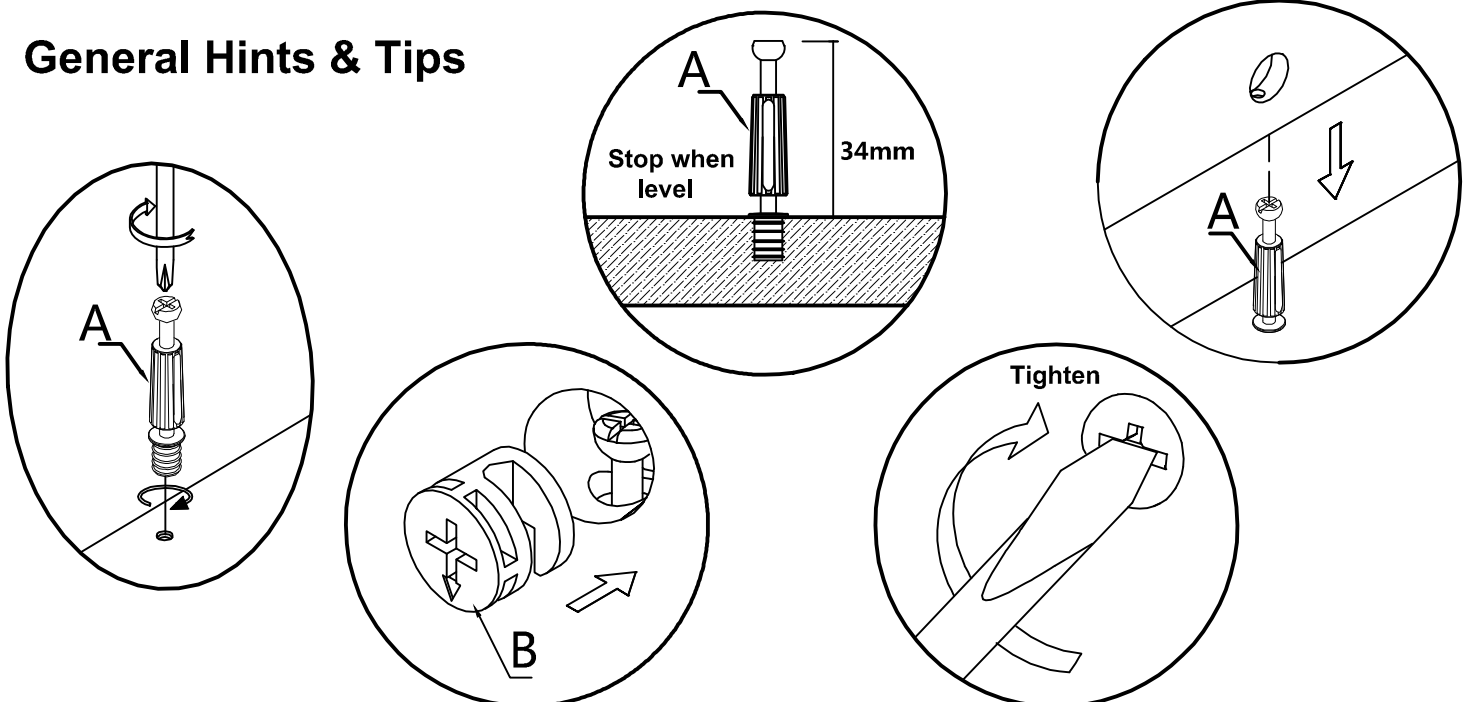
- Check you have all the components and tools listed on page 3.
- Remove all settings from the plastic bags and separate them into their groups.
- Keep children and animals away from the work area, small parts could choke if swallowed.
- Make sure you have enough space to layout the parts before assembly.
- Do not stand or put weight on the product, this could cause damage.
- Assemble the item as close to it's intended position (in the same room) as possible.
- Assemble on a soft level surface to avoid damaging the unit.
- Parts of the assembly will be easier with 2 people.
- Do not use power drill/drivers for assembly, or the unit may be damaged.
- Dispose of all packaging carefully and responsibly.



CARE and MAINTENANCE

- Only clean using a damp cloth and mild detergent, do not use bleach or abrasive cleaners.
- From time to time check that there are no loose screws on this unit.
- This product should not be discarded with household waste. Take to your local authority waste disposal center.

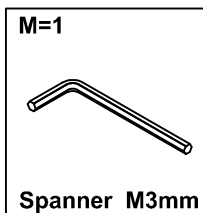
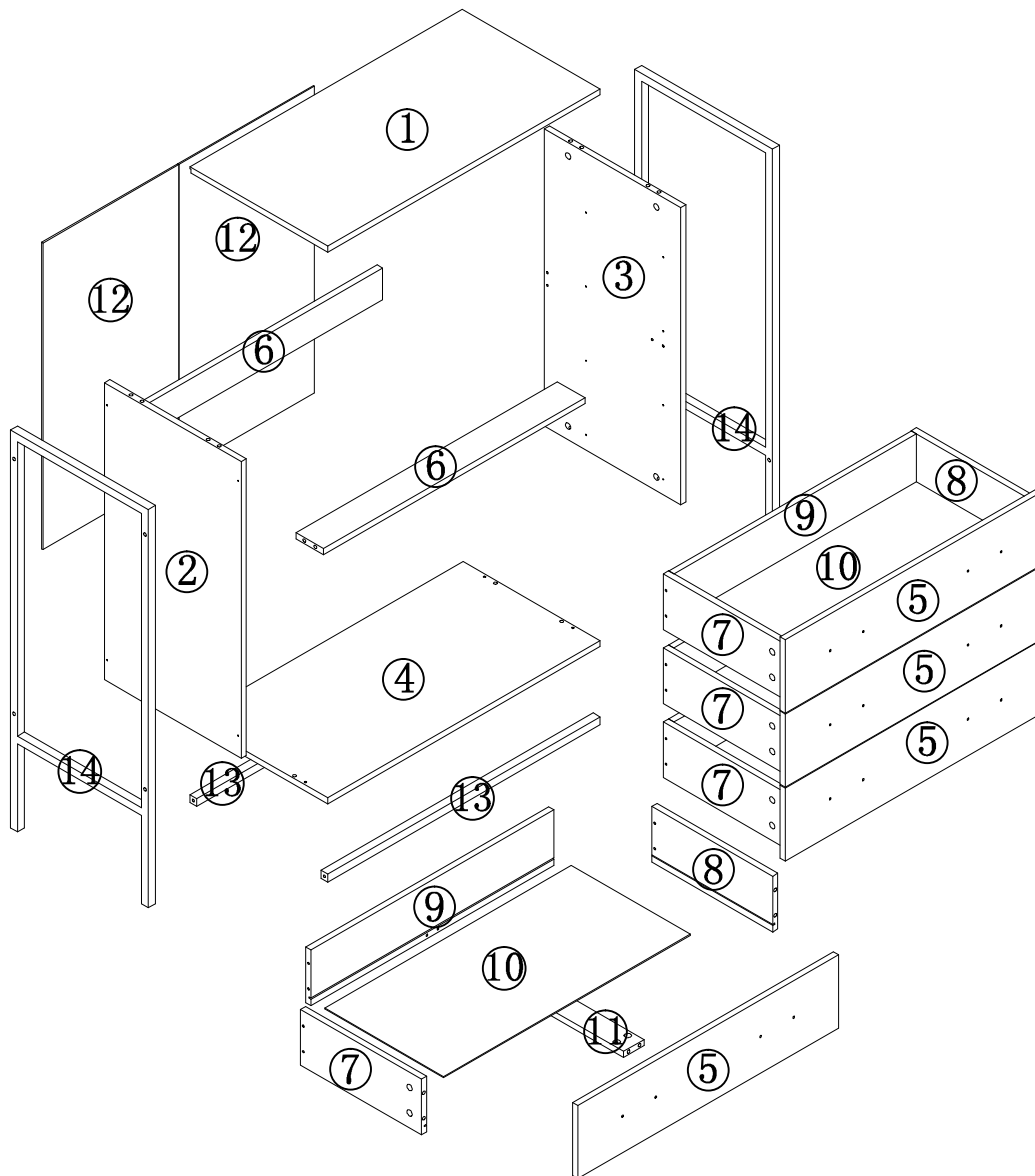
General Hints & Tips

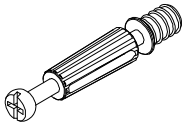
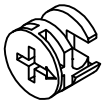
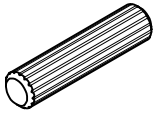





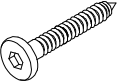
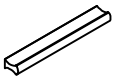


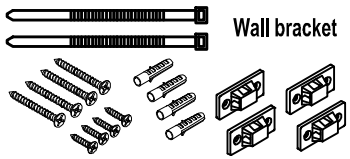


Components and Tools

IMPORTANT - Please Check If You Have All The Components and Tools.

Note: The quantities below are the correct amount to complete the assembly. In some cases more pieces may be supplied than are required.

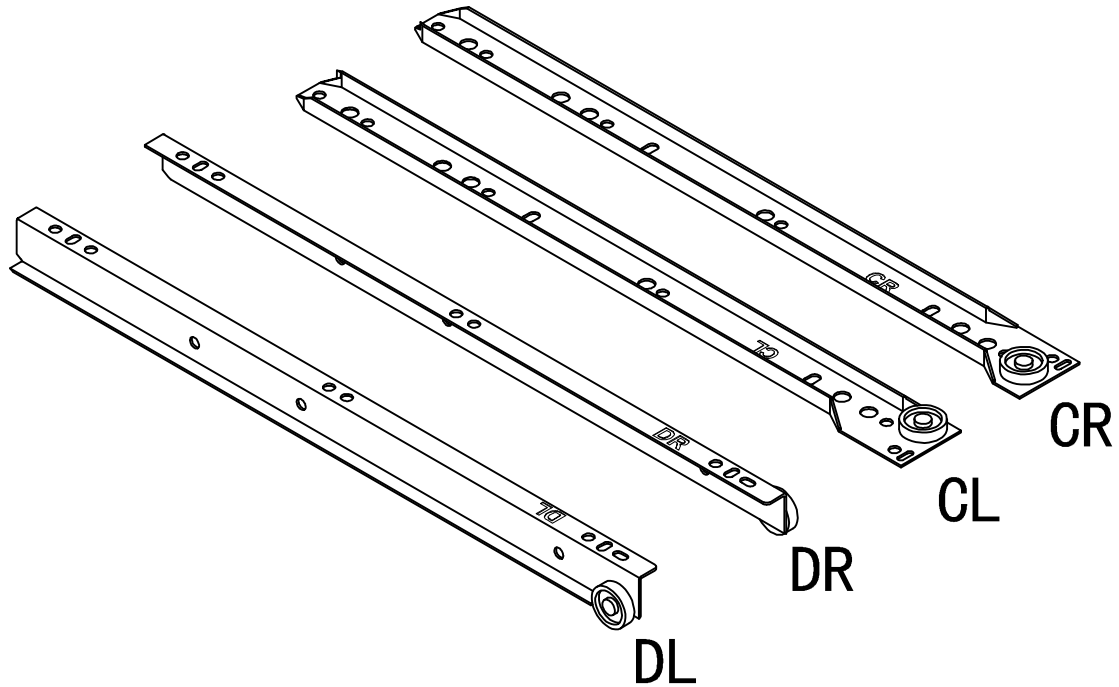


<p>A=28</p>  <p>Peg M6*34mm</p>	<p>B=28</p>  <p>Lock M15*12mm</p>	<p>C=28</p>  <p>Dowel M8*30mm</p>	<p>D=32</p>  <p>Screw M3.5*14mm</p>	<p>E=16</p>  <p>Screw M4*38</p>	<p>F=4</p>  <p>Screw M6*30</p>	<p>G=16</p>  <p>Pin</p>
<p>H=16</p>  <p>Screw M4*18</p>	<p>I=12</p>  <p>M4X30MM SCREW</p>	<p>J=8</p>  <p>Handle L96mm</p>	<p>K=1</p>  <p>Spanner M4mm</p>	<p>CR CL DR DL=4</p>  <p>Drawer Runner</p>	<p>P=1</p>  <p>Wall bracket</p>	

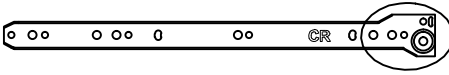
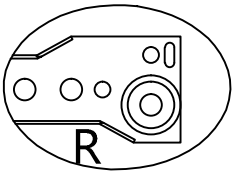
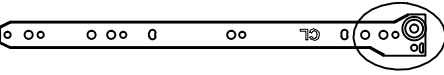
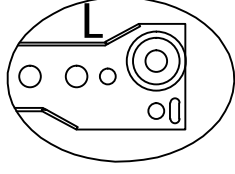

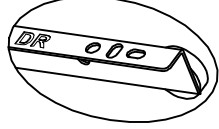
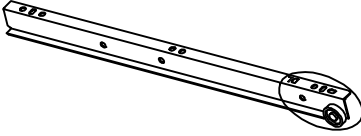
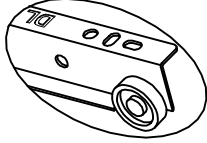
Drawer Runner Instruction

IMPORTANT - Please Read It Carefully.

NOTE: 1 PAIR DRAWER RUNNER INCLUDES 4 PIECES.



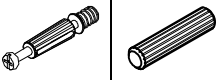
Fittings (not to scale)

NO.	DESCRIPTION	QTY		
CR	Outer Drawer Runner - Right	5PCS		
CL	Outer Drawer Runner - Left	5PCS		
DR	Inner Drawer Runner - Right	5PCS		
DL	Inner Drawer Runner - Left	5PCS		

Assembly Instruction

Step 1

A=4 C=8



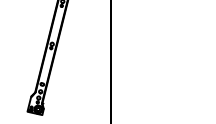
Peg Dowel

D=12 CR=3

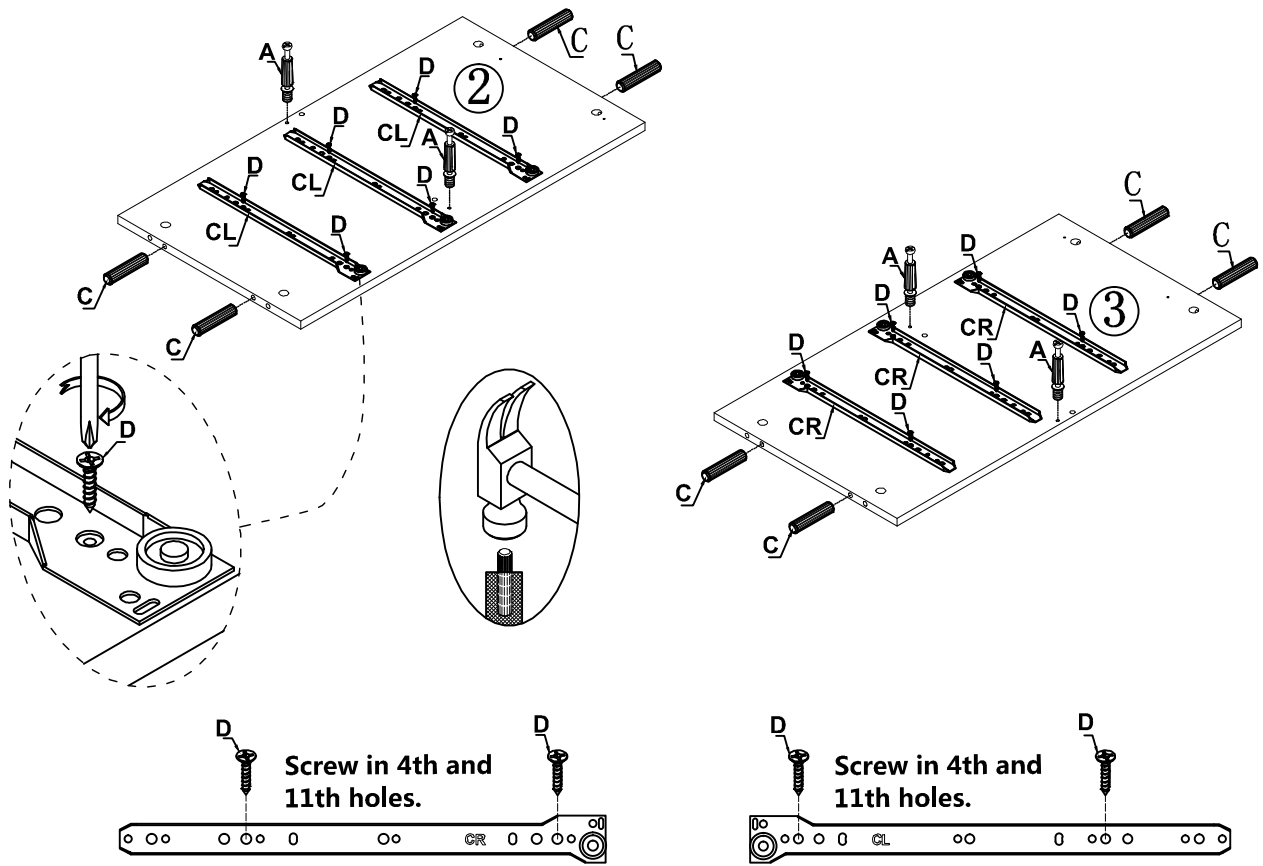


Screw Drawer Runner

CL=3

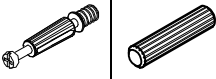


Drawer Runner

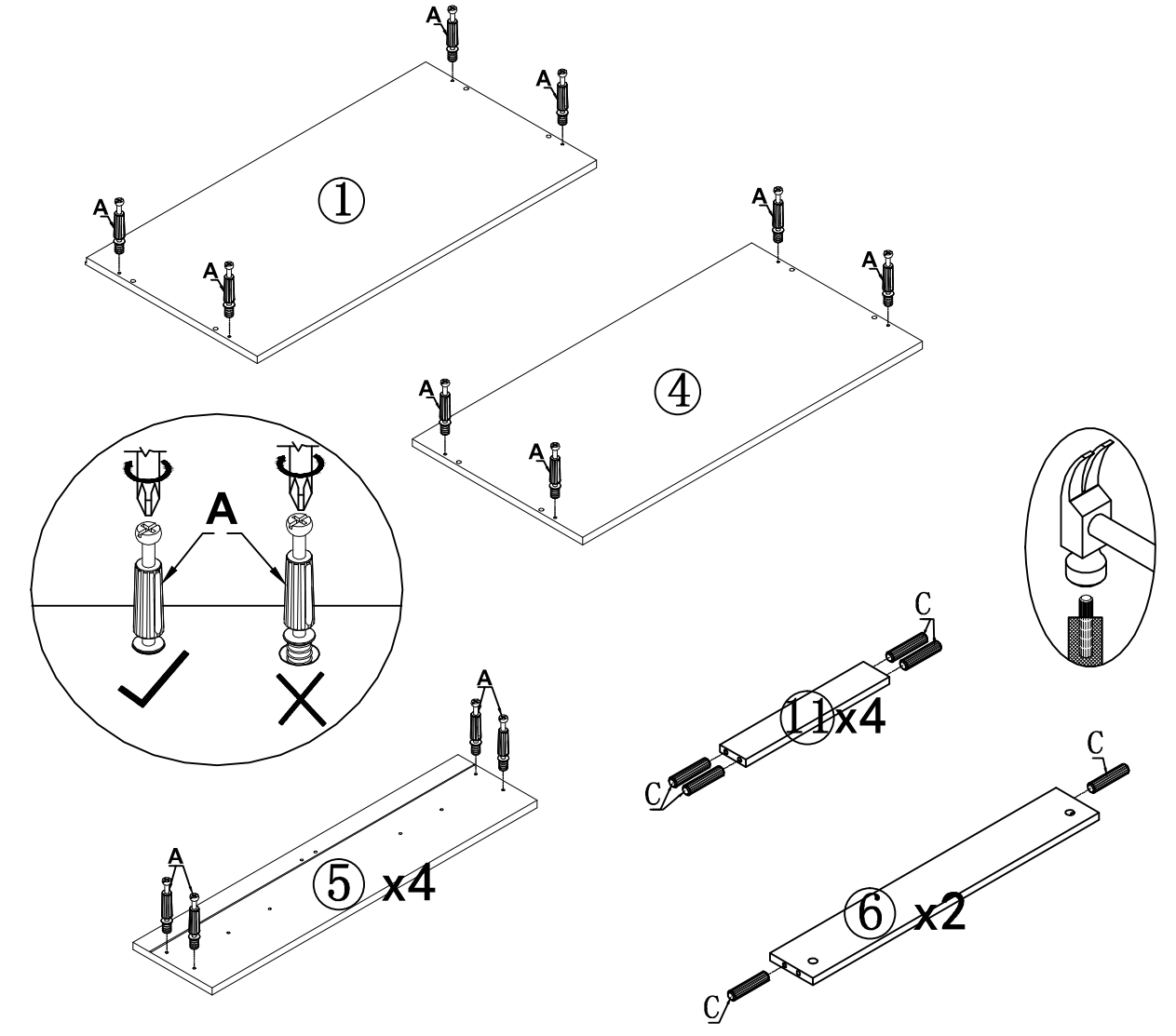


Step 2

A=24 C=20



Peg Dowel



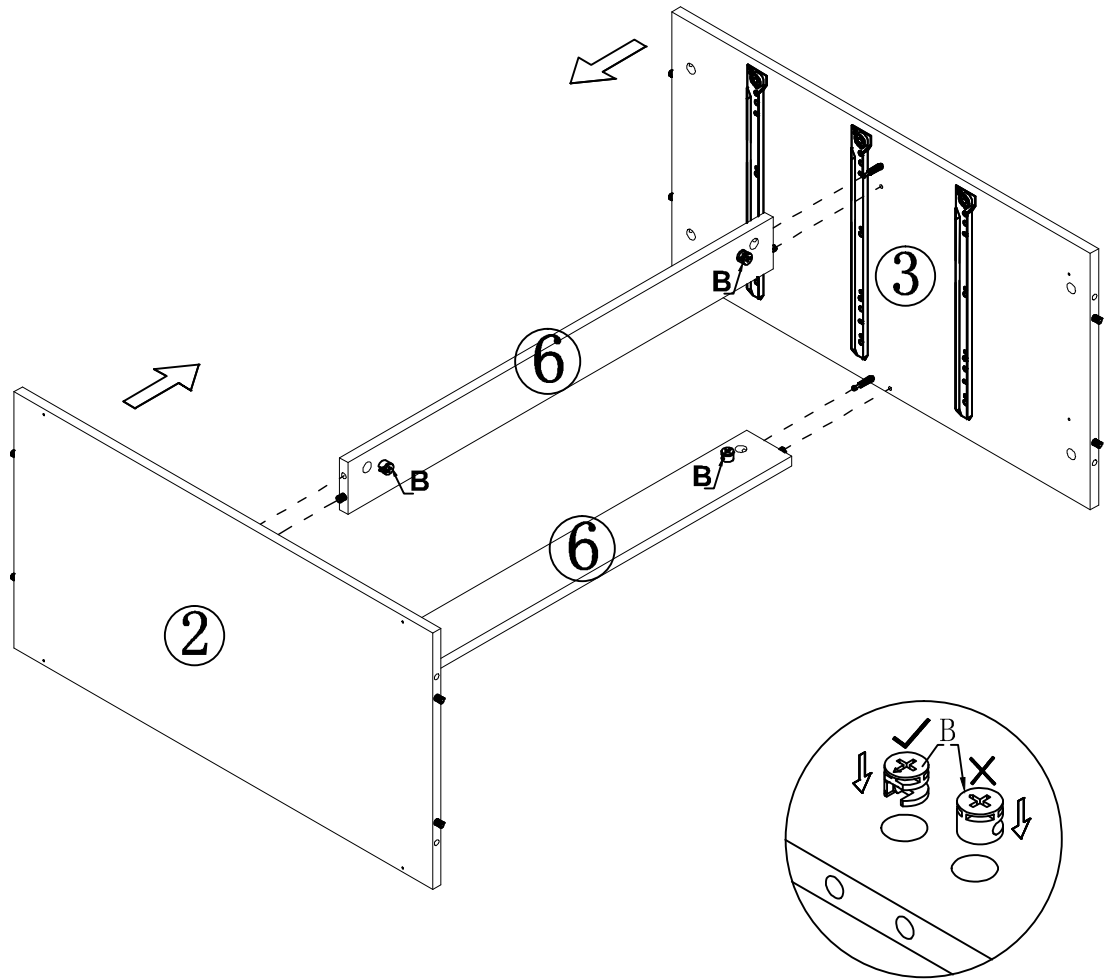
Assembly Instruction

Step 3

B=4



Lock

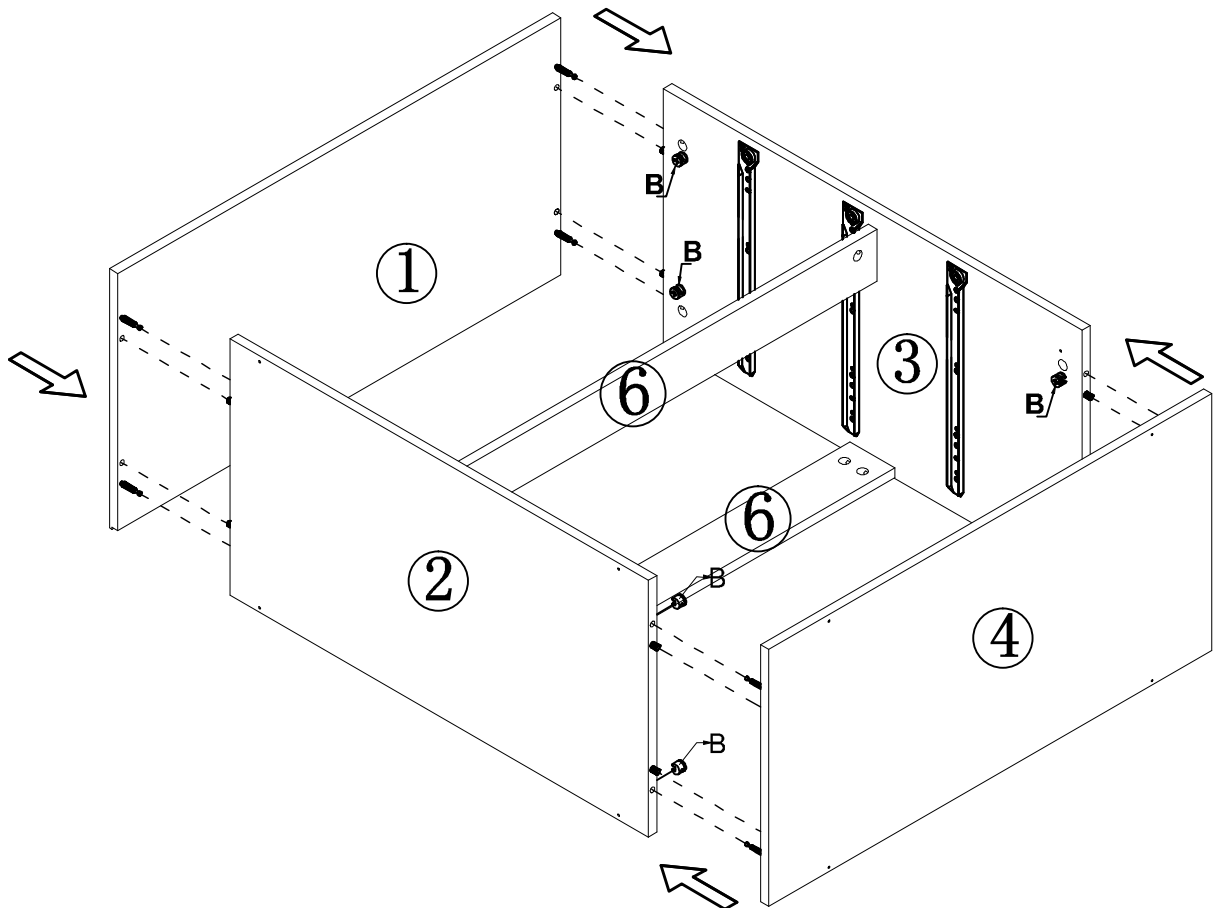


Step 4

B=8



Lock



Assembly Instruction

Step 5

CL=1

CR=1



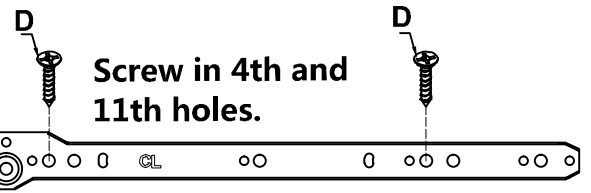
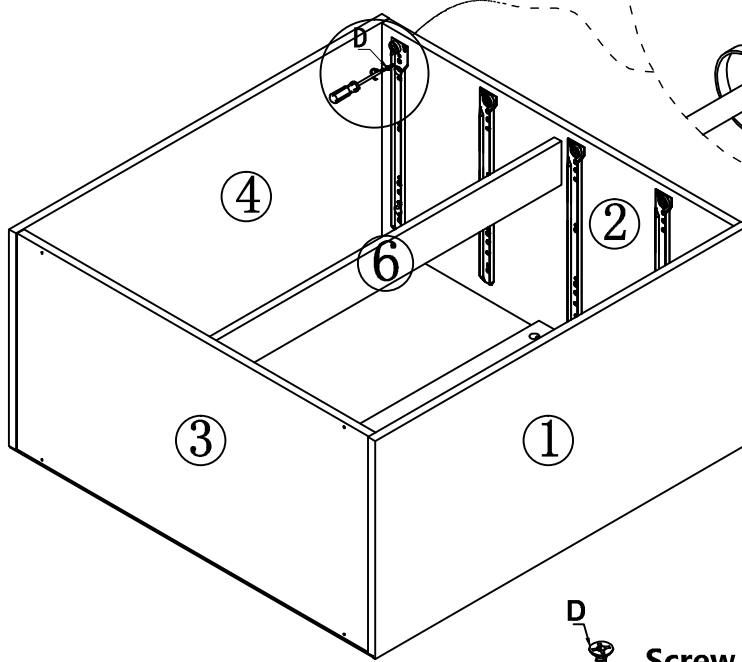
Runner

Runner

D=4



Screw



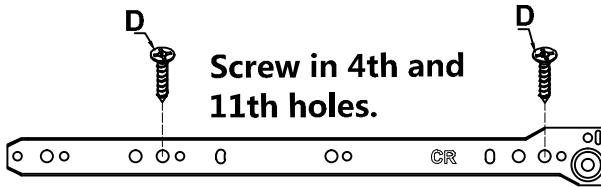
Screw in 4th and 11th holes.

Step 6

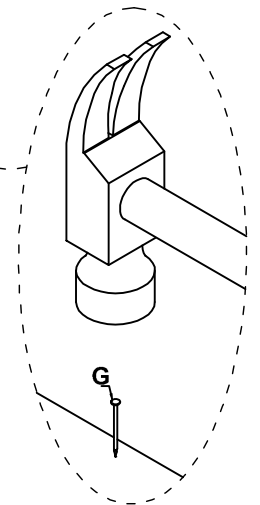
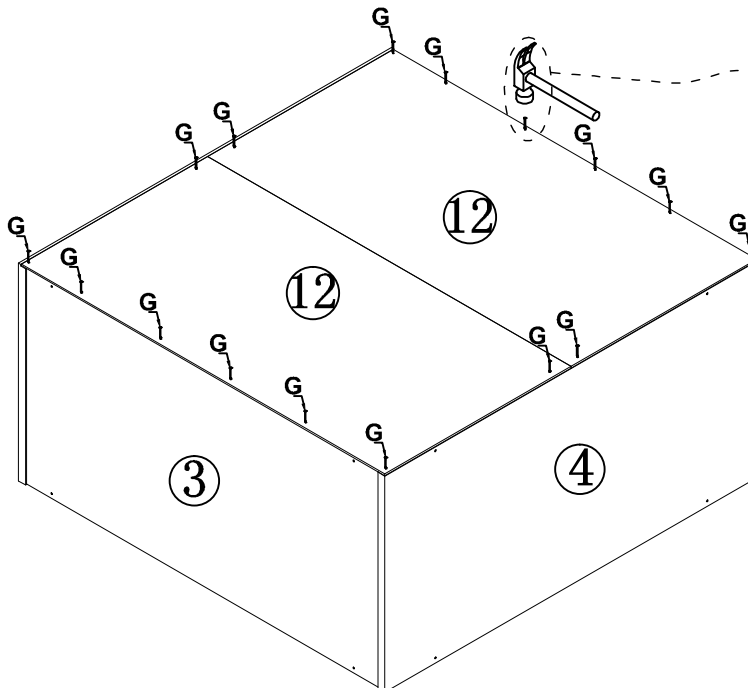
G=16



Pin



Screw in 4th and 11th holes.

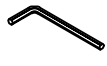


Assembly Instruction

Step 7

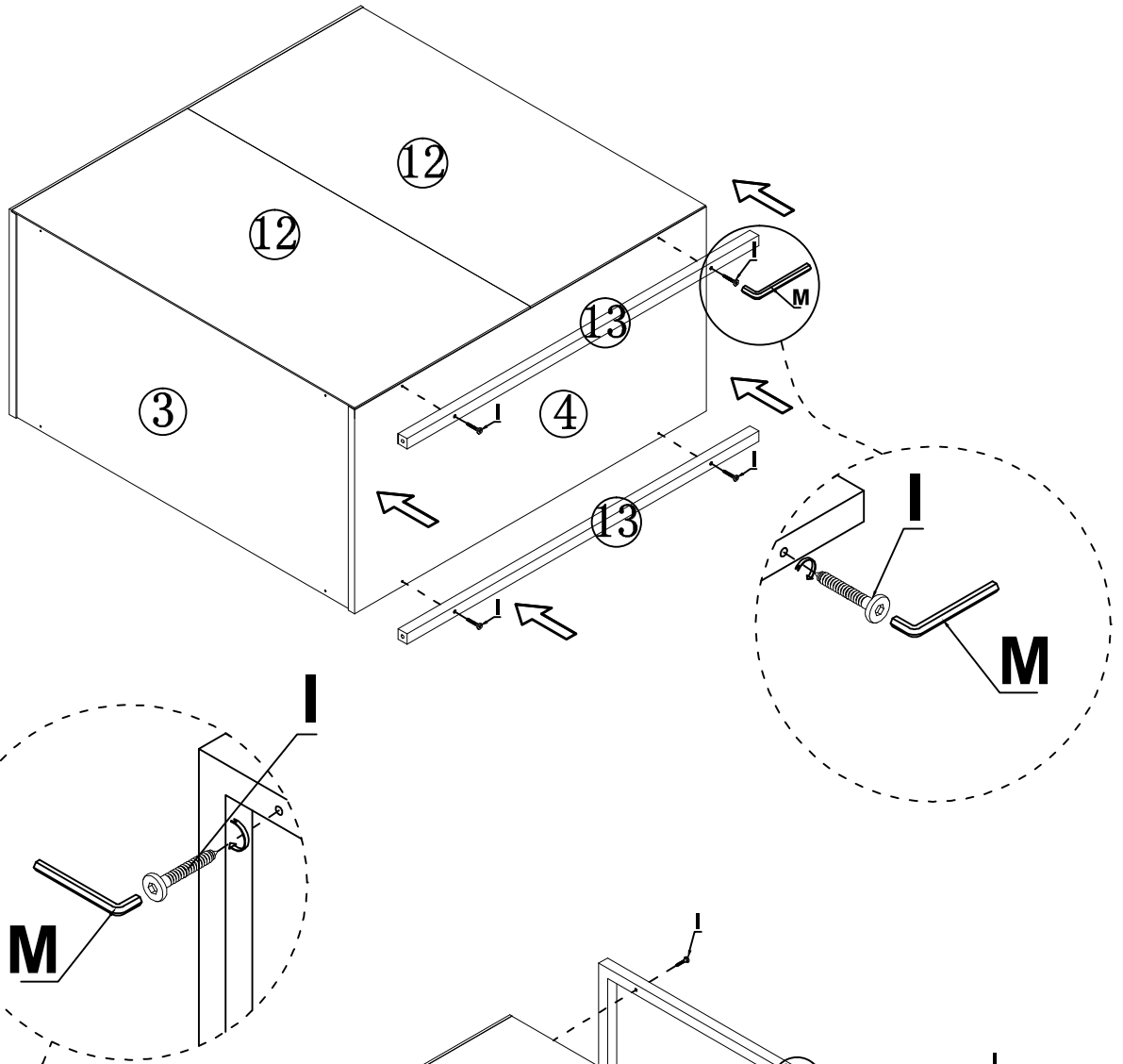
I=4

M=1



M4X30MM
SCREW

Spanner
M3mm



Step 8

I=8

F=4

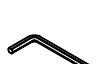
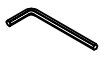


Screw M4*30

Screw M6*30

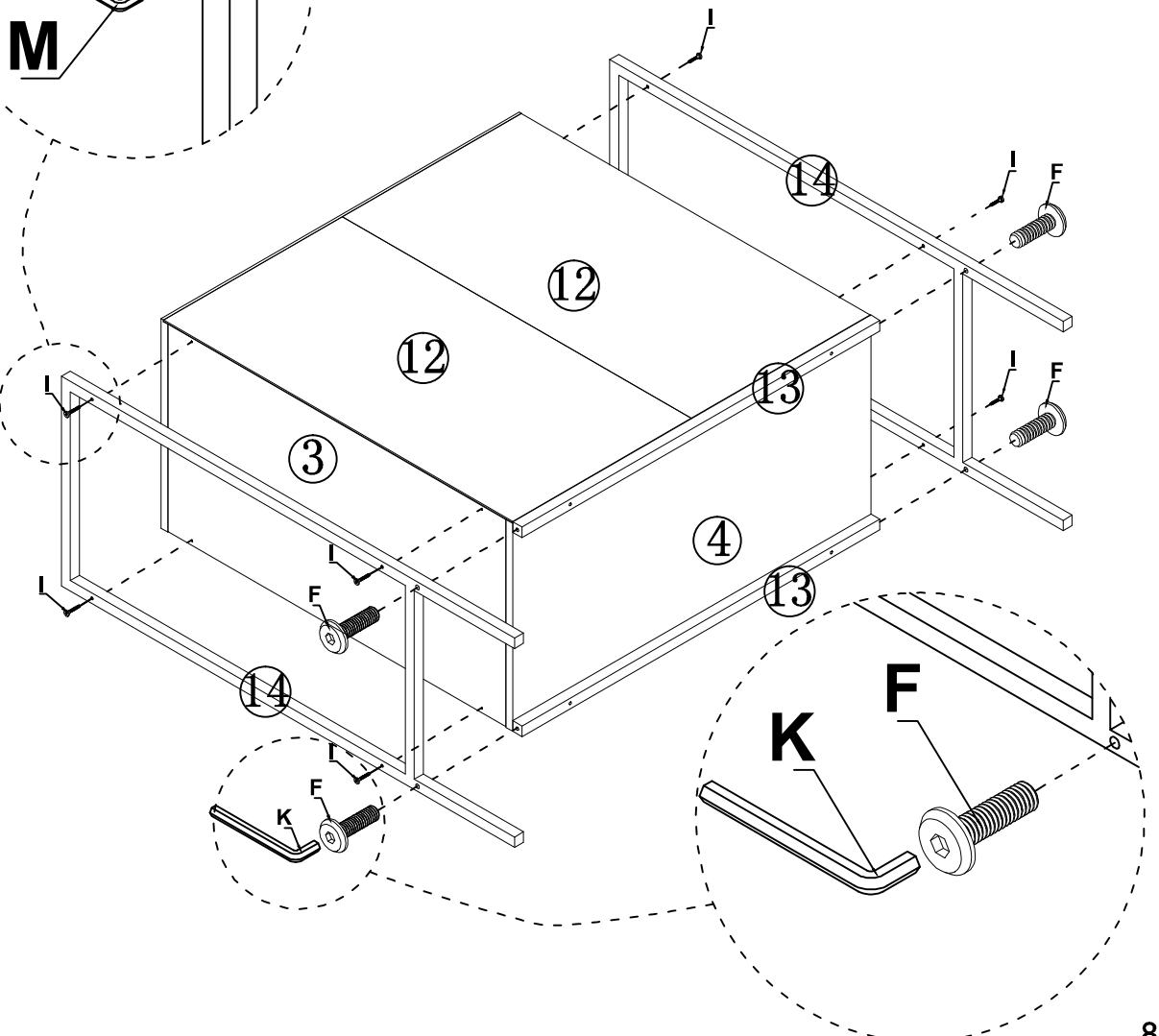
K=1

M=1



Spanner
M4mm

Spanner
M3mm



Assembly Instruction

Step 9

B=16 E=16



Lock Screw

J=4 D=16



Handle L96mm Screw

DR=4 DL=4

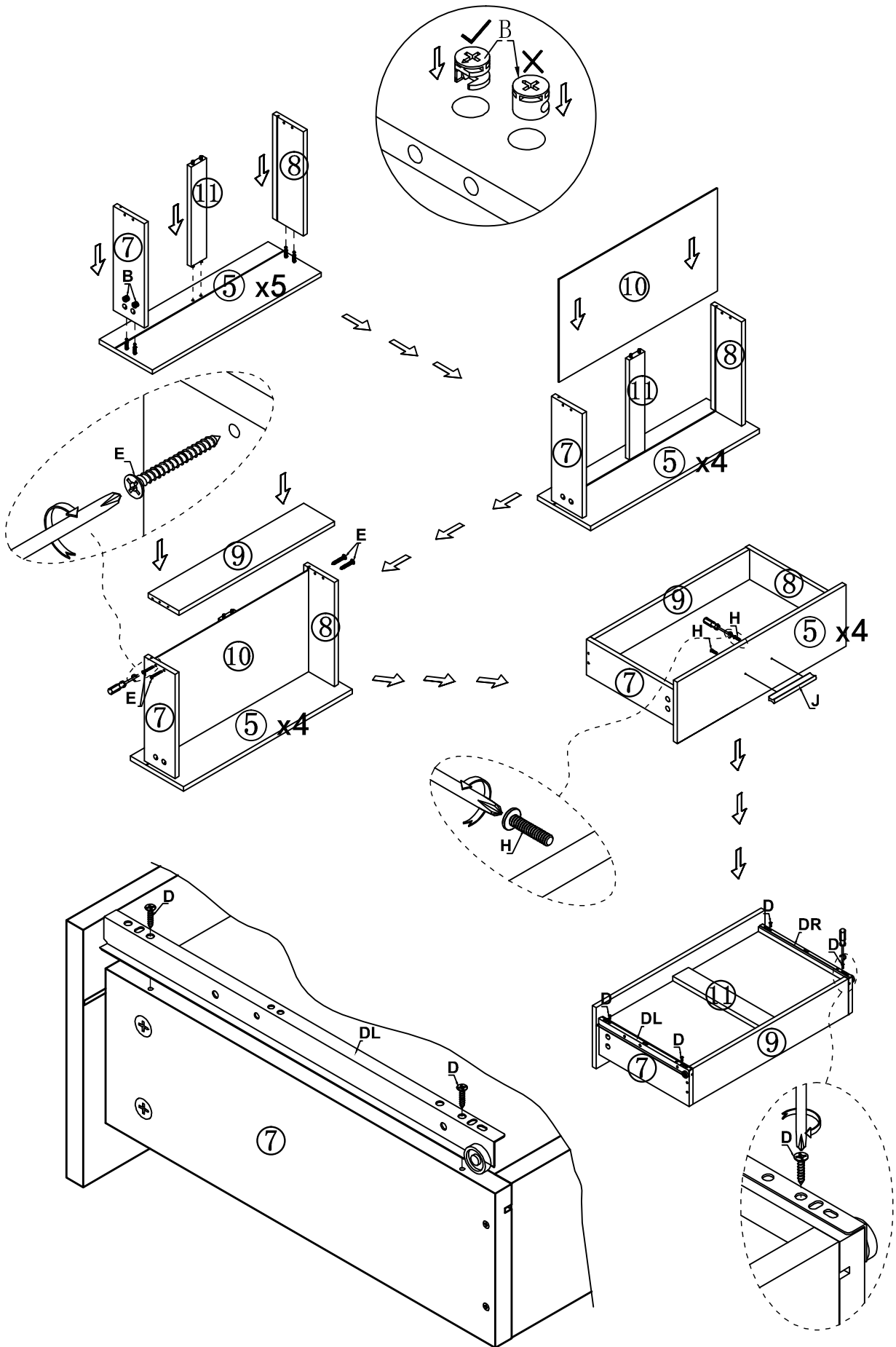


Drawer Runner Drawer Runner

H=8

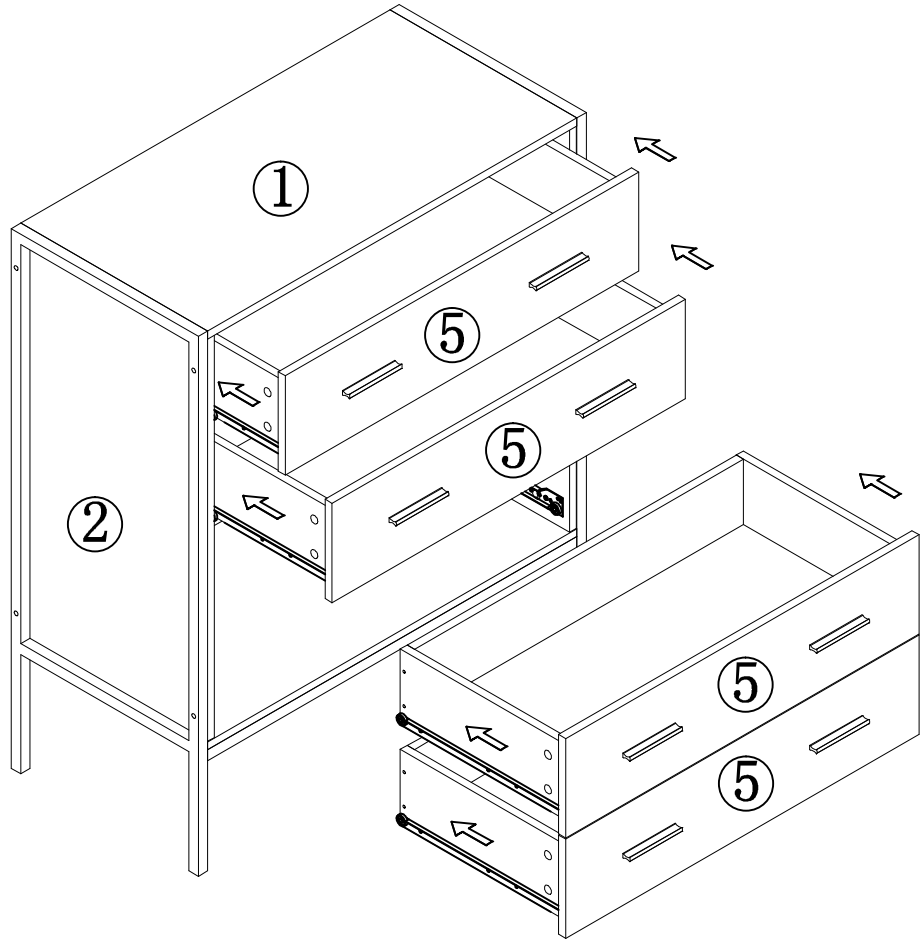


Screw

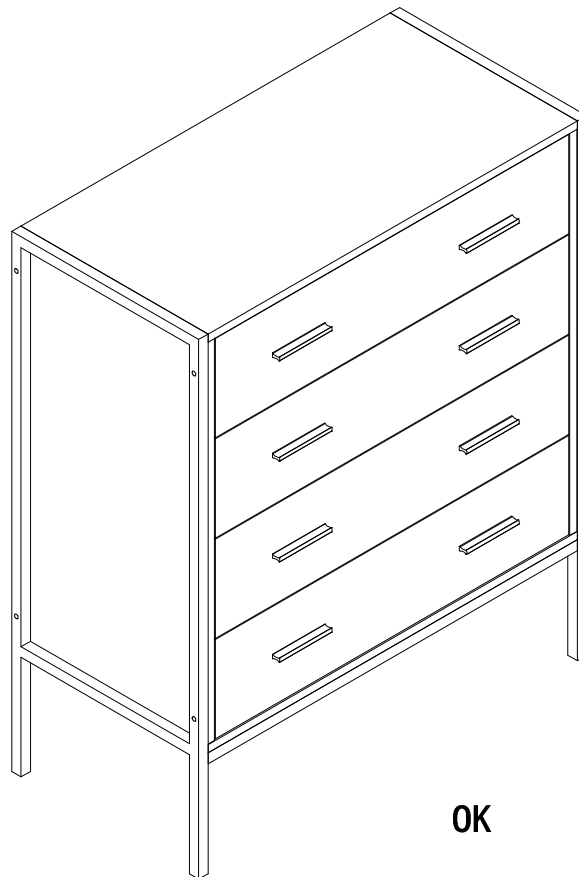


Assembly Instruction

Step 10



Step 11

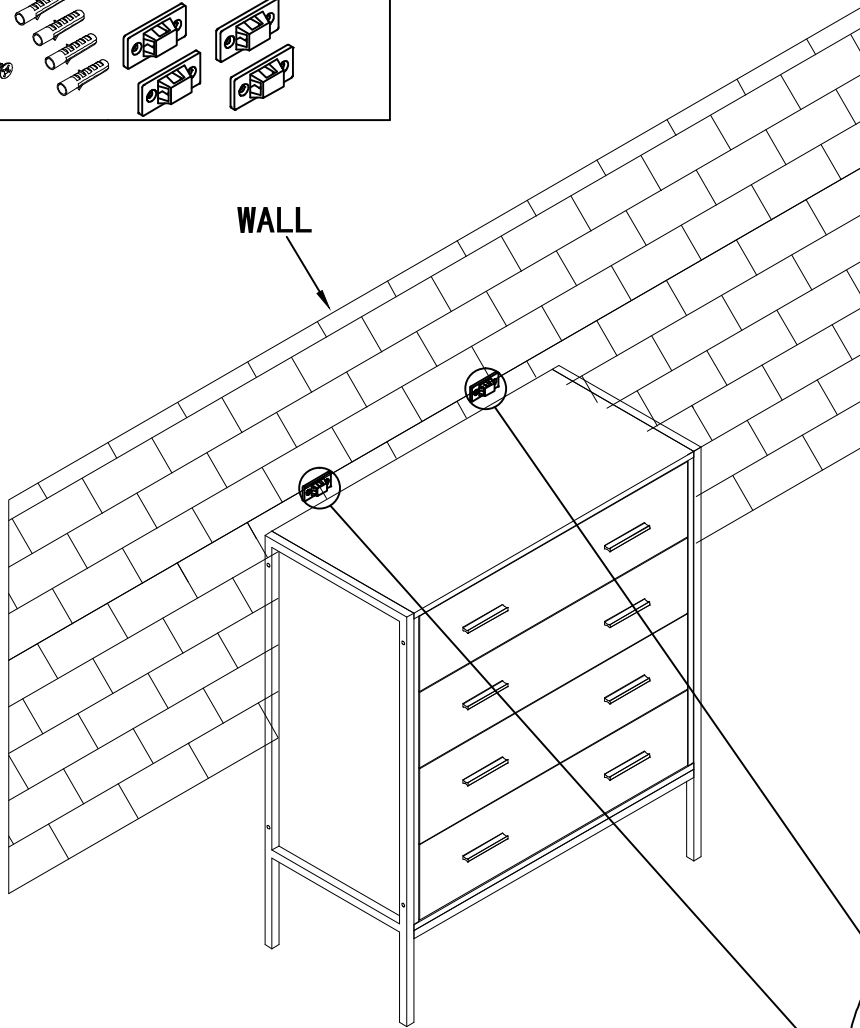
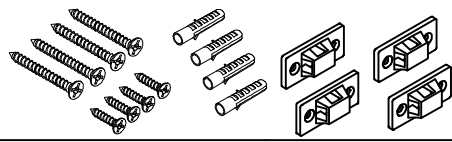


OK

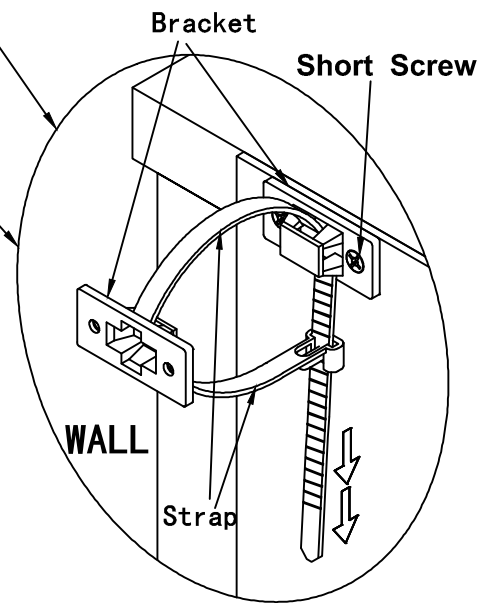
P=1



Wall bracket



WALL

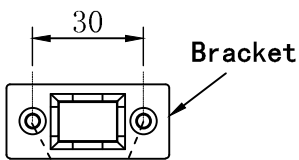


Bracket

Short Screw

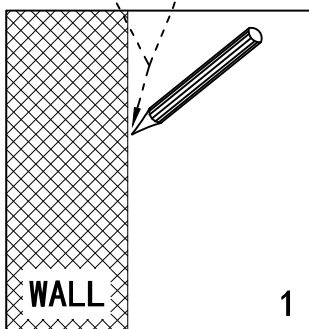
WALL

Strap



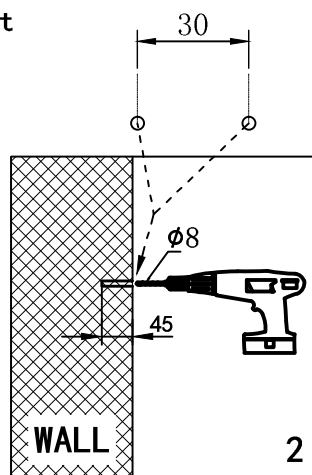
Bracket

30



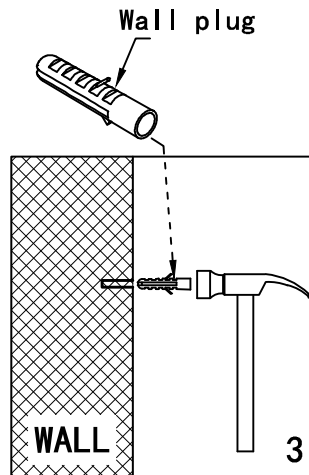
WALL

1



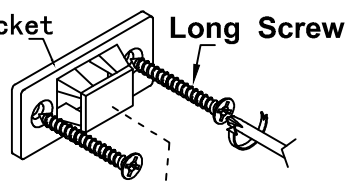
WALL

2



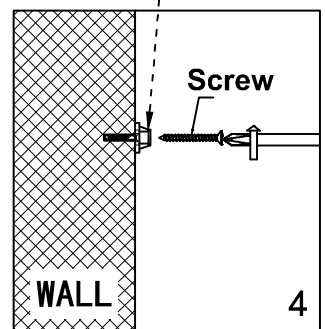
WALL

3



Bracket

Long Screw



WALL

4

Screw