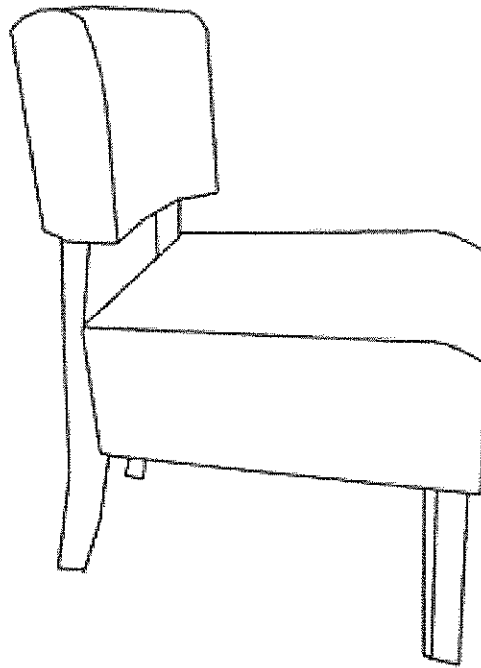


# ACCENT CHAIR

---

Model # \_\_\_\_\_  
Lot No: \_\_\_\_\_  
Date of Purchase \_\_\_\_\_



---

## ADULT ASSEMBLY REQUIRED

If you are missing any parts or have any questions regarding assembly, do not return this item to the retailers store. Please call our toll free customer service number and have this assembly manual open to the parts list ready to provide the model name, and part name or number.



## WARNING

This Product contains Small Components- Please ensure they are kept away from small children

Estimated Time of Assembly- 20 Minutes

Recommended # of People Needed For Assembly- 1

**THIS INSTRUCTION BOOKLET CONTAINS IMPORTANT SAFETY INFORMATION- PLEASE READ AND KEEP FOR FUTURE REFERENCE**

## Quality Guarantee/ Care Instructions

---

Model #

We thank you for the purchase of your new Accent Chair, we are confident you will be pleased with the quality and style of your new furniture.

Should this product be defective in materials or workmanship or fail under normal residential use, we will repair or replace it for up to one year from the date of purchase.

**MANUFACTURER-  
MODEL-  
DATE OF MANUFACTURE-  
MADE IN CHINA**

---

### Care Instructions

#### Upholstery

All Synthetic upholstery fibers especially micro fiber fabrics offer easy maintenance. Micro fiber is very popular because fabrics produced with this technology are soft, lightweight and easy to care for. Additionally these fibers leave no lint or dust, so they are recommended for allergy sufferers.

#### Surface Care

Keep Upholstery beautiful and dust free by vacuuming it weekly. That includes areas between and underneath all cushions.

#### Liquid Spills

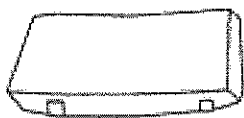
For General Micro fiber furniture cleaning, add a drop or two of mild detergent like dish soap or laundry detergent, combined with a bit of water, blot with a damp cloth, this should clean your accent chair in no time. Blotting the stain with white vinegar and distilled water, applying baking soda and then vacuuming can easily eliminate odors like urine.

#### Sunlight and Heat

Exposure to direct sunlight can harm and fade any upholstered surface over time. Keep upholstery out of contact with direct sunlight as it can bleach and weaken fabrics. Also allow a couple of feet between upholstery and any direct heat source such as a fireplace or wall heater.

# Parts List/ Assembly Instructions

Model #



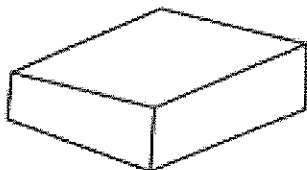
Back Cushion 1PC



Rear Leg 2PCS



Front Leg 2PCS



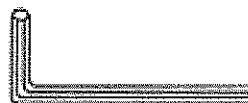
Seat Cushion 1PC



M8\*50MM-12PCS

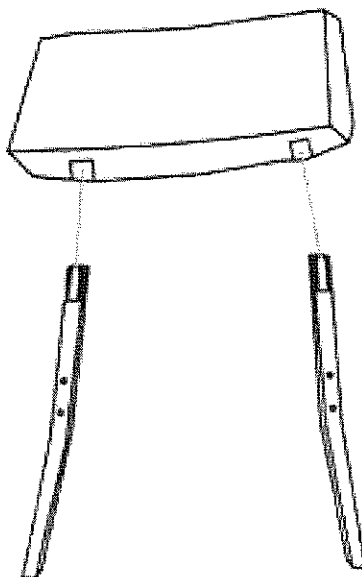


16MM\*2MM-12PCS



M8-Key-1PC

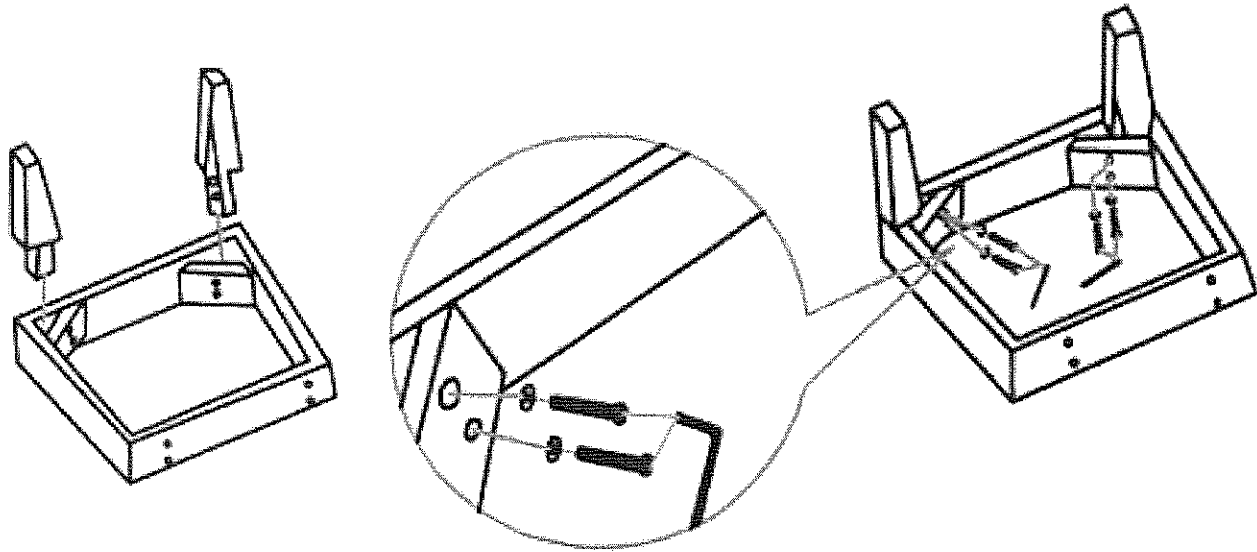
**Step 1** Insert the wooden back legs into the back rest. Press down firmly until the metal bracket engages and locks leg into place. Start with one side and then move to the other once complete.



## Assembly Instructions

---

**Step 2** Place the Chair Seat Frame Upside down. Insert the wood front legs into the cavity located in the front of the seat base frame. Insert the provided threaded bolts into the pre threaded nuts in each leg. Tighten using the allen key supplied



**Step 3** Attach Backrest Assembly from step 1 to seat frame using 4 of the supplied threaded bolts and washers. Tighten using the allen key supplied

