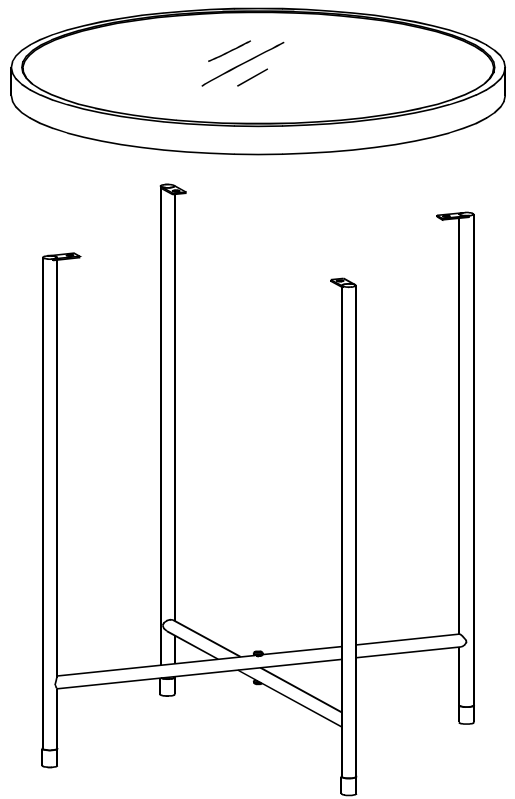
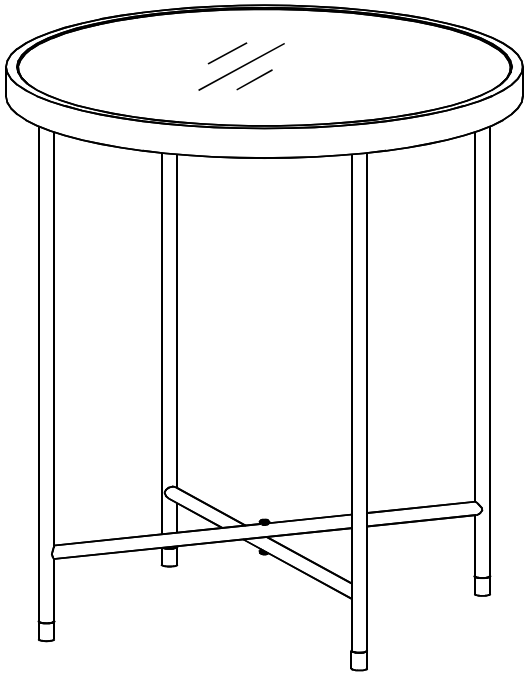


ASSEMBLY INSTRUCTIONS

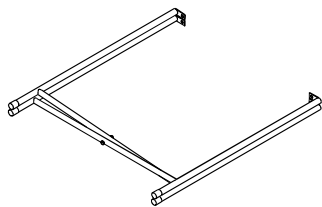


PARTS LIST

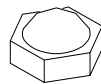
x1



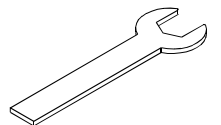
x1



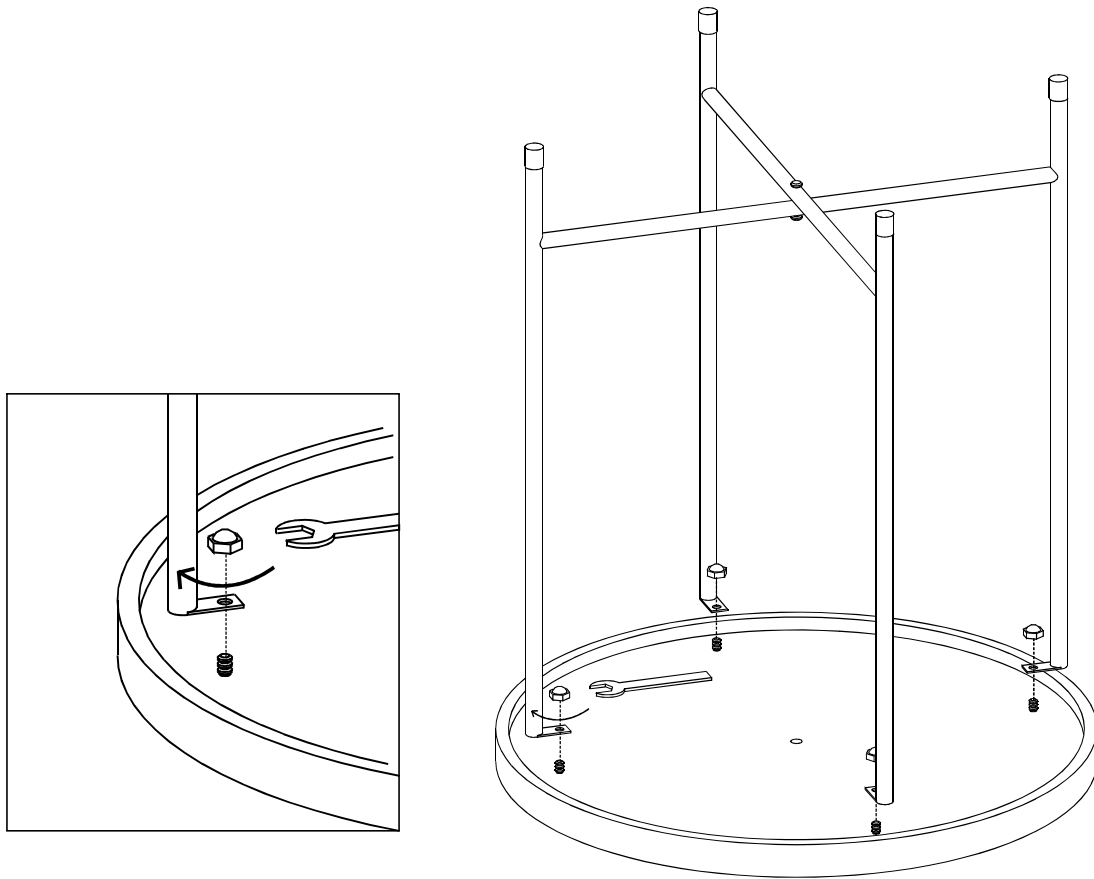
x4



x1



STEP1



STEP2

