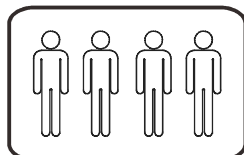
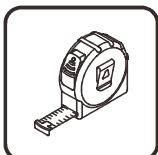
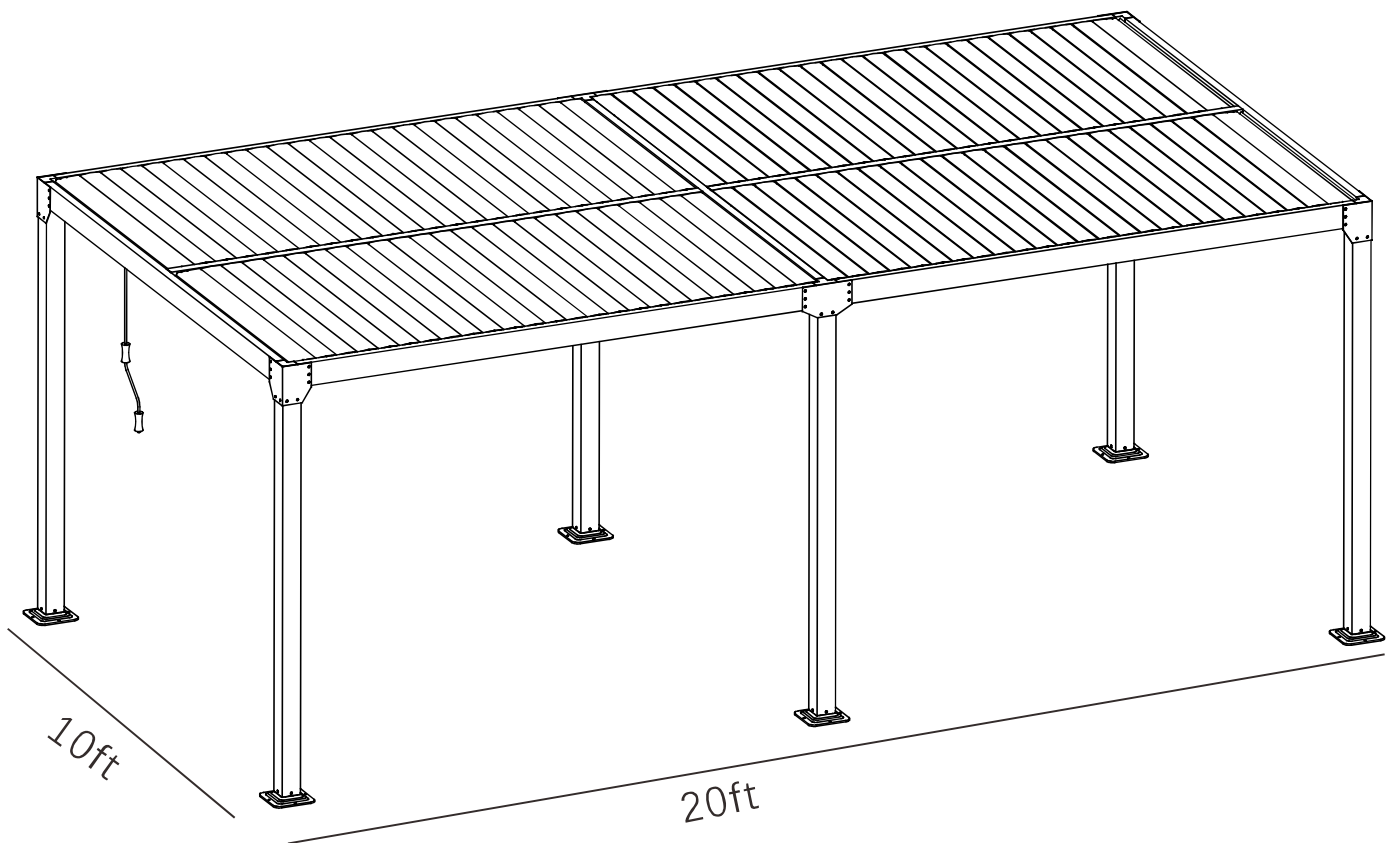


# Assembly & Instruction Manual

SKU:800-131 Louver Pergola 10x20ft

# Louver Pergola

## Installation Guide



Version:20220323

Save this manual for future reference

# INTRODUCTION

Thank you for purchasing Aoodor's Louvered Pergola! We hope you will find joy in our product for many years to come.

To ensure your personal safety during installation and to get the most out of your investment, please read this entire manual before beginning the installation process. If you feel that this process is too difficult to do on your own, we advise that you seek assistance from a local building or home improvement contractor.



**WARNING** Improper installation and operation of your gazebo can result in severe personal injury as well as product failure not covered by warranty. Please follow all instructions carefully or contact technical support for assistance.

We believe that installation can be a simple, streamlined process if you follow the instructions in this manual. Please contact our customer support line for help any step of the way. If you need assistance with assembly, have missing or defective parts, or any other issues, please email us at [customerservice@aoodor.com](mailto:customerservice@aoodor.com)

## SAFETY INFORMATION

Please read and understand this entire manual before attempting.

Four to five people are need for assembly.

Estimated assembly time:3-4hours.

## PREPARTION

Before beginning assembly of product, make sure all parts are present. Compare parts with package contents list and hardware contents list. If any part is missing or damaged, do not attempt to assemble the product.

# IMPORTANT SAFETY NOTICE!

**Product is NOT INTENDED for the following:**

- A safety barrier to prevent unsupervised access to pools, hot tubs, spas or ponds.
- As load bearing support for a building, structure, heavy objects or swings.
- Used in structures that trap wind, rain or snow that would create extra load on the product.

**Accumulated snow must be removed from roof.**

**DO NOT** climb or walk on roof for any reason.

**Permanent structures may require a building permit.** As the purchaser and or installer of this product you are advised to consult local planning, zoning and building inspection departments for guidance on applicable building codes and/or zoning requirements.

**Wood is NOT flame retardant and will burn.** Grills, fire pits and chimineas are a fire hazard if placed too close to structure. Consult user's manual of the grill, fire pit or chimnea for safe distances from combustible materials.

**Wear gloves to avoid injury** from possible sharp edges of individual elements before assembly.

**During installation, follow all safety warnings provided with your tools and use Safety glasses.** Some structures may require two or more people to install safely.

**Check for underground utilities before digging or driving stakes into the ground!**

**It is important during assembly to closely follow the instructions**, complete the assembly on a solid level surface and that you follow the instruction to square up, level and anchor the structure, this will reduce the gap at wood connections during assembly.

---

## Assembly Guides

<b>Tools Required:</b>	
<ul style="list-style-type: none"><li>• Tape Measure</li><li>• Carpenters Level</li><li>• Standard or Cordless Drill</li></ul>	<ul style="list-style-type: none"><li>• 6' Step Ladder</li><li>• 8' Step Ladder</li><li>• Safety Glasses</li><li>• Adult Helper</li><li>• Safety Gloves</li><li>• Hard Hat</li></ul>

**Symbols:**

Throughout these instructions symbols are provided in the top, right-hand corner of the page.



- Use Help, where this is shown, 4 or 5 peoples are required to safely complete this step. To avoid injury or damage to the assembly make sure to get some help.



- Use a measuring tape to assure proper location

**If you dispose of Aoodor structure:** Please disassemble and dispose of your unit so that it does not create any unreasonable hazards at the time it is discarded. Be sure to follow your local waste ordinances.

## Assembly Tips

Following are some helpful tips to make the assembly process smooth and efficient.

### PRE-ASSEMBLIES:

(i.e. Post and Beam Assemblies, Roof Rafter Assembly, etc)

- Work on a raised, solid and flat surface such as, a table or saw horse.
- Keep all connections flush where shown in the instructions.
- When assembling the beams keep parts flat, straight and snug when connecting.

### METAL PARTS:

- Roofing material may have sharp edges, wear safety gloves.
- Remove all plastic covering, on both sides of the metal panels, directly before installing each piece.
- Place roofing material on a non-abrasive surface before and after assembly as it can bend, dent and scratch easily.
- The roofing screws can easily crush the roof panels and roof edges when using a power drill. We recommend hand tightening the roofing screws so they sit snug and tight to the roofing material.

---

## Permanent Installation Examples

**Note: It is critically important you start with square, solid and level footings, concrete pad or deck to attach your Pergola Room.**

We supply Post Mounts with this structure which gives you the flexibility to permanently install your structure to a pre-existing or new wood or concrete surface.

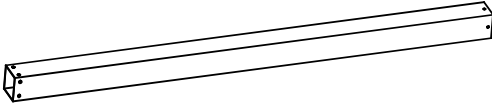
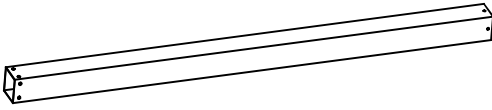
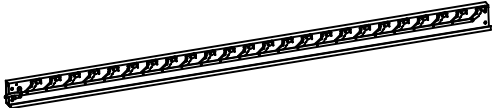
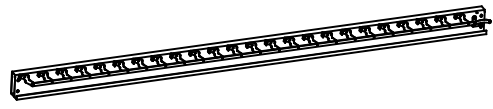
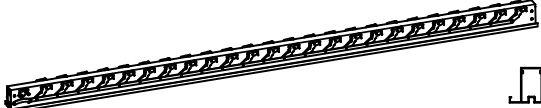
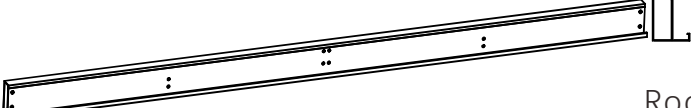
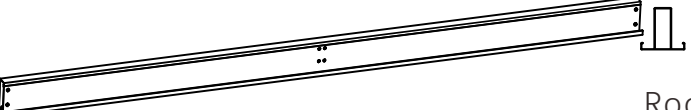



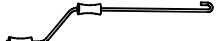
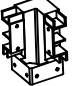
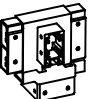
- The hardware to attach the Post Mount to the structure is included.
- The hardware to mount the structure permanently will need to be purchased separately at your local hardware store.

If you are mounting to concrete footers see below for the correct locations and placement. Please double check for possibility of any underground utilities such as gas, telephone, cable or sprinkler lines.




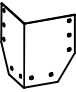
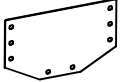

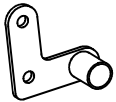
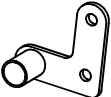

Following are some examples of how to mount the structure to wood or concrete surfaces.

Refer to your local building and city codes, ordinances, neighbourhood covenants, or height restrictions regarding this type of structure for guidance on acceptable installation requirements.



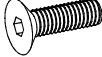
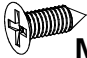


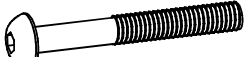
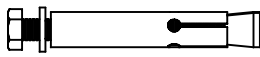
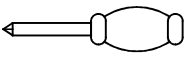
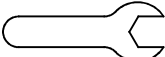


# Parts Identification (Metal Parts)

Parts	Desc	Qty	Ref No
A	 Post	4	800-131-001
A1	 Post	2	800-131-002
B	 Louver mount	2	800-131-003
C	 Louver mount	2	800-131-004
D	 Louver mount	2	800-131-005
E	 Roof profile	2	800-131-006
F	 Roof profile	1	800-131-007
G	 Louvers	4	800-131-008
H	 Louvers	96	800-131-009
I	 Controller tube	8	800-131-010
J	 Rocker	1	800-131-011
K	 Roof profile connector	4	800-131-012
K1	 Roof profile connector	2	800-131-013

## Parts Identification (Metal Parts)

Parts	Desc	Qty	Ref No
L	 Roof profile bracket	4	800-131-014
M	 Controller	4	800-131-015
N	 Controller bracket	4	800-131-016
O	 Roof profile cover	4	800-131-017
O1	 Roof profile cover	2	800-131-018
P	 Plate	6	800-131-019
Q	 Controller tube bracket	4	800-131-020
R	 Controller tube bracket	4	800-131-021
S	 Louver bracket	4	800-131-022

## Parts Identification (Metal Parts)

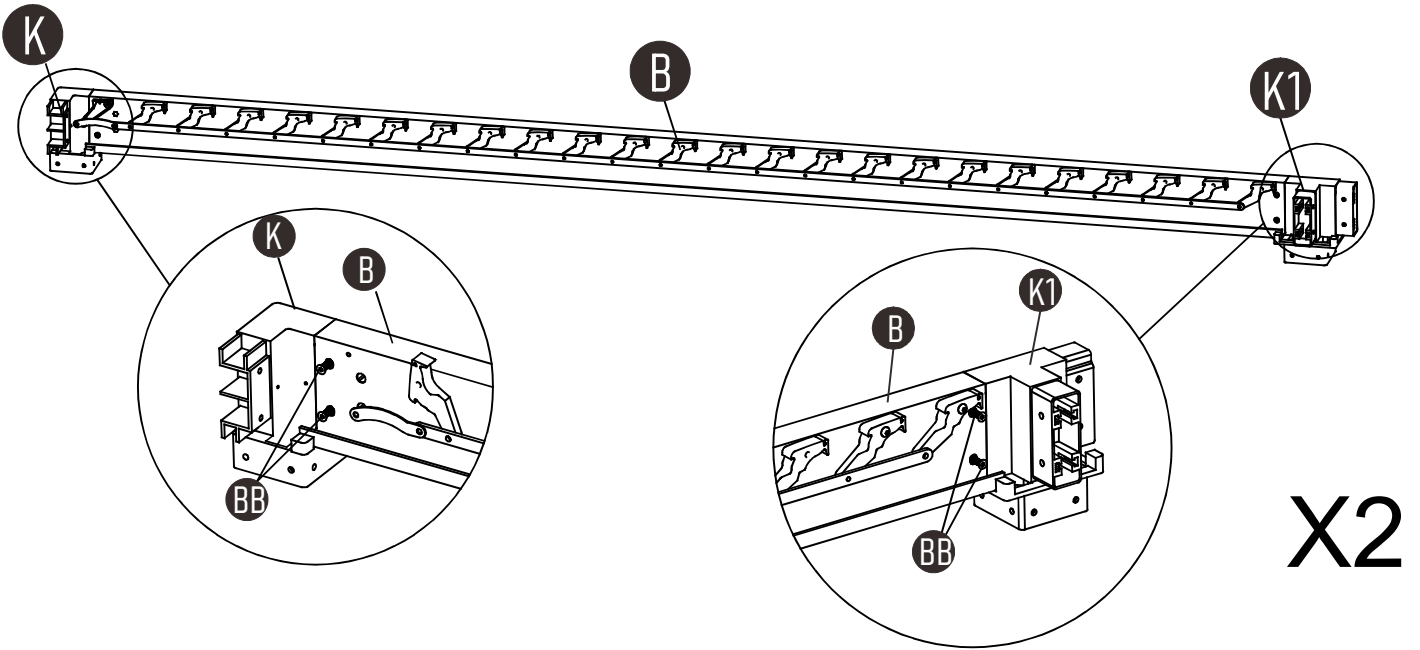
Parts	Desc	Qty	Ref No
AA	 M6*20	84	800-131-023
BB	 M6*15	116	800-131-024
CC	 M6*13	8	800-131-025
DD	 M4*12	8	800-131-026
EE	 M4*20	4	800-131-027
FF	 M6	16	800-131-028
GG	 M6*40	8	800-131-029
HH	 M6*60	12	800-131-030
II		1	
JJ	 10mm	1	
	 4mm  4mm		



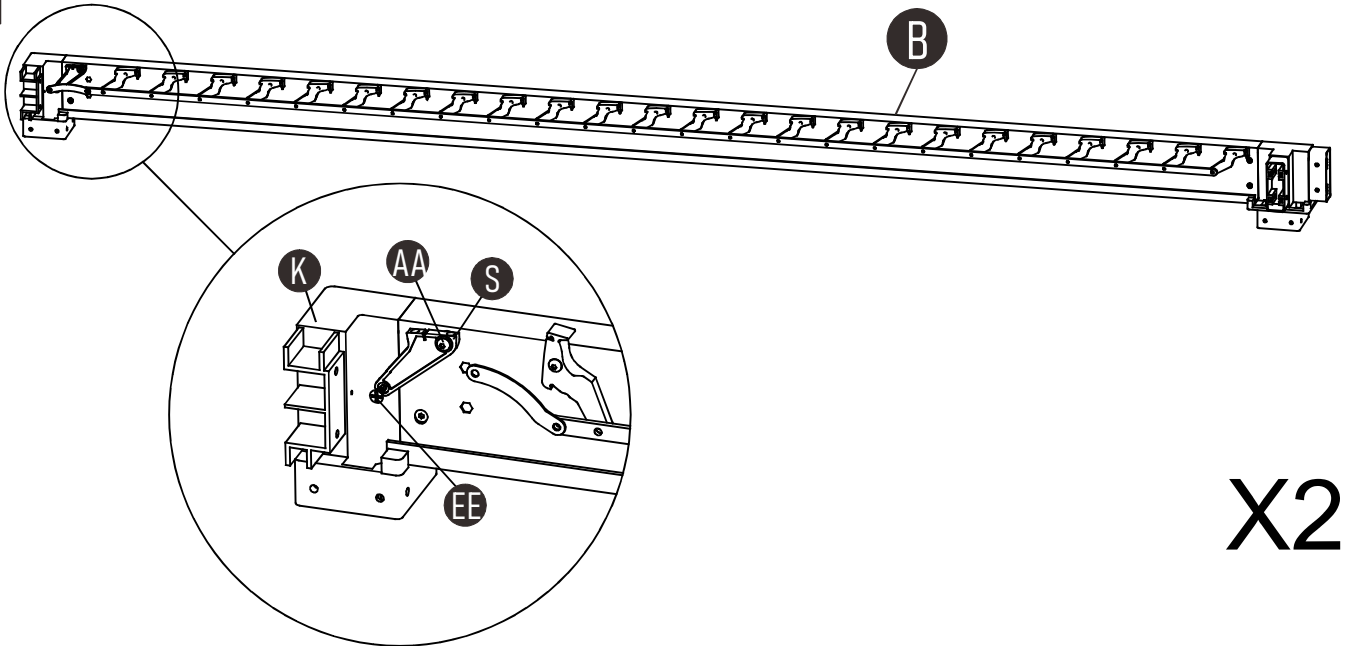
Place all the parts on a level surface.  
 Make sure the pieces are in the correct positions before assembling.  
 Carefully follow the order of assembly to ensure an easy installation.  
 Wear proper safety gear including work shoes, gloves and goggles.


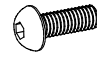
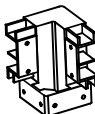
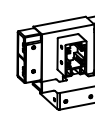
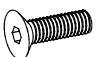


# Assembly

- 1** Insert roof profile connector(K) and (K1) into louver mount(B), fasten with screws(BB) each as shown.



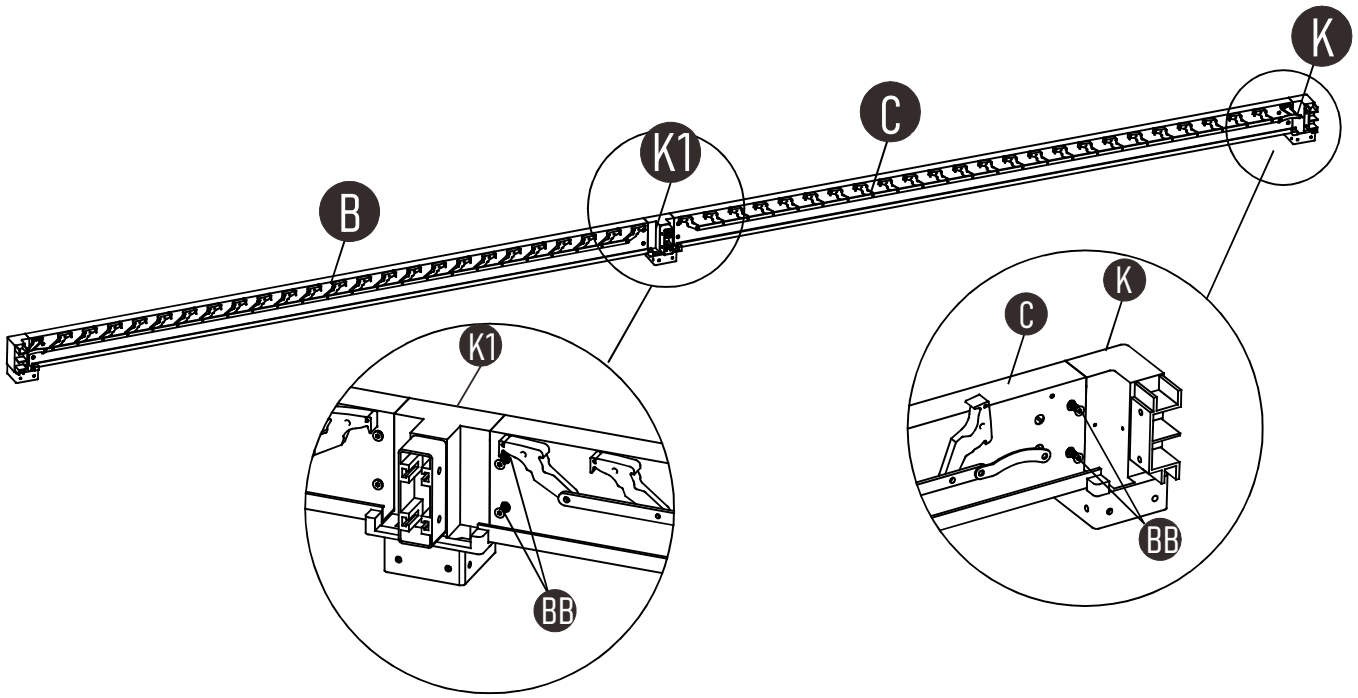
- 2** Attach louver bracket (S) on the roof profiles (B) by screws (EE) and (AA) for each.



B	2					AA	2	 M6*20
K	2		K1	2		BB	8	 M6*15
S	2					EE	2	 M4*20

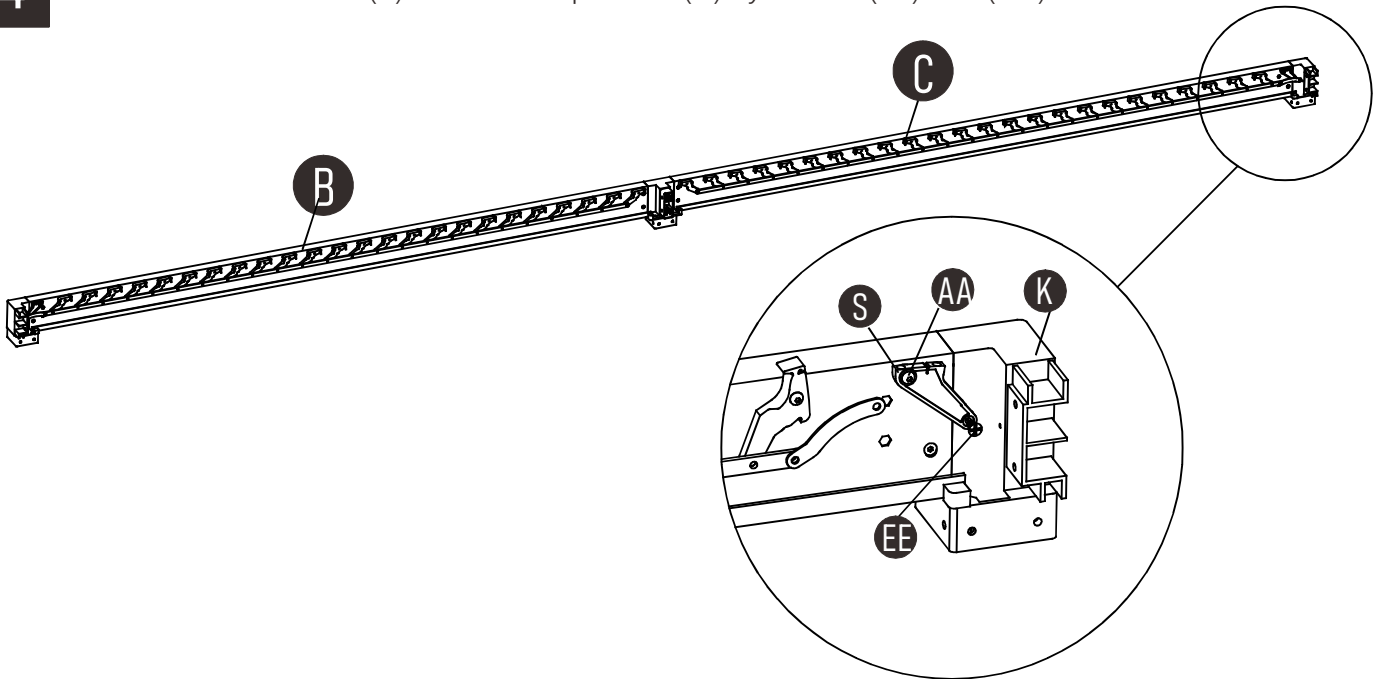
## 3

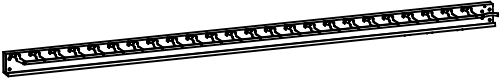

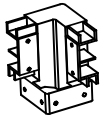
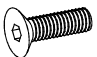


Insert roof profile (C) into roof profile connector (K1), (K) and fasten with two screws (BB).



## 4

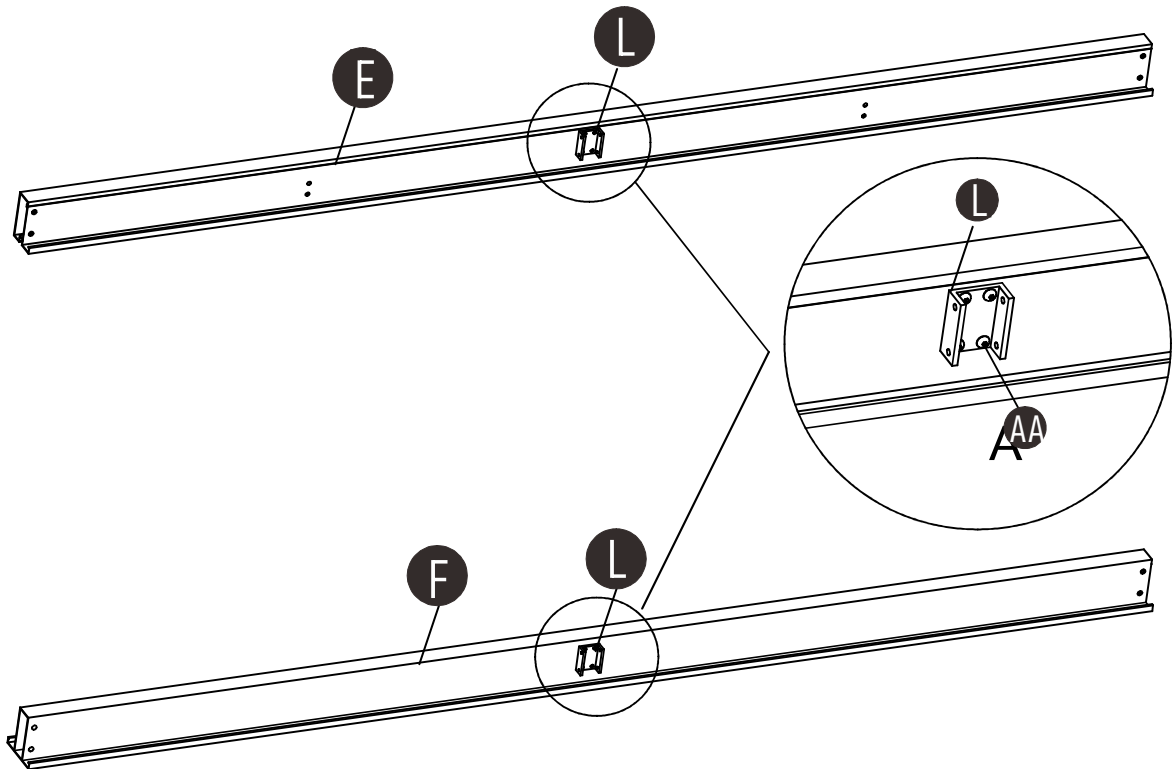
Attach louver bracket (S) on the roof profiles (C) by screws (EE) and (AA) for each.



C	2		AA	2	 M6*20
K	2		BB	8	 M6*15
S	2		EE	2	 M4*20

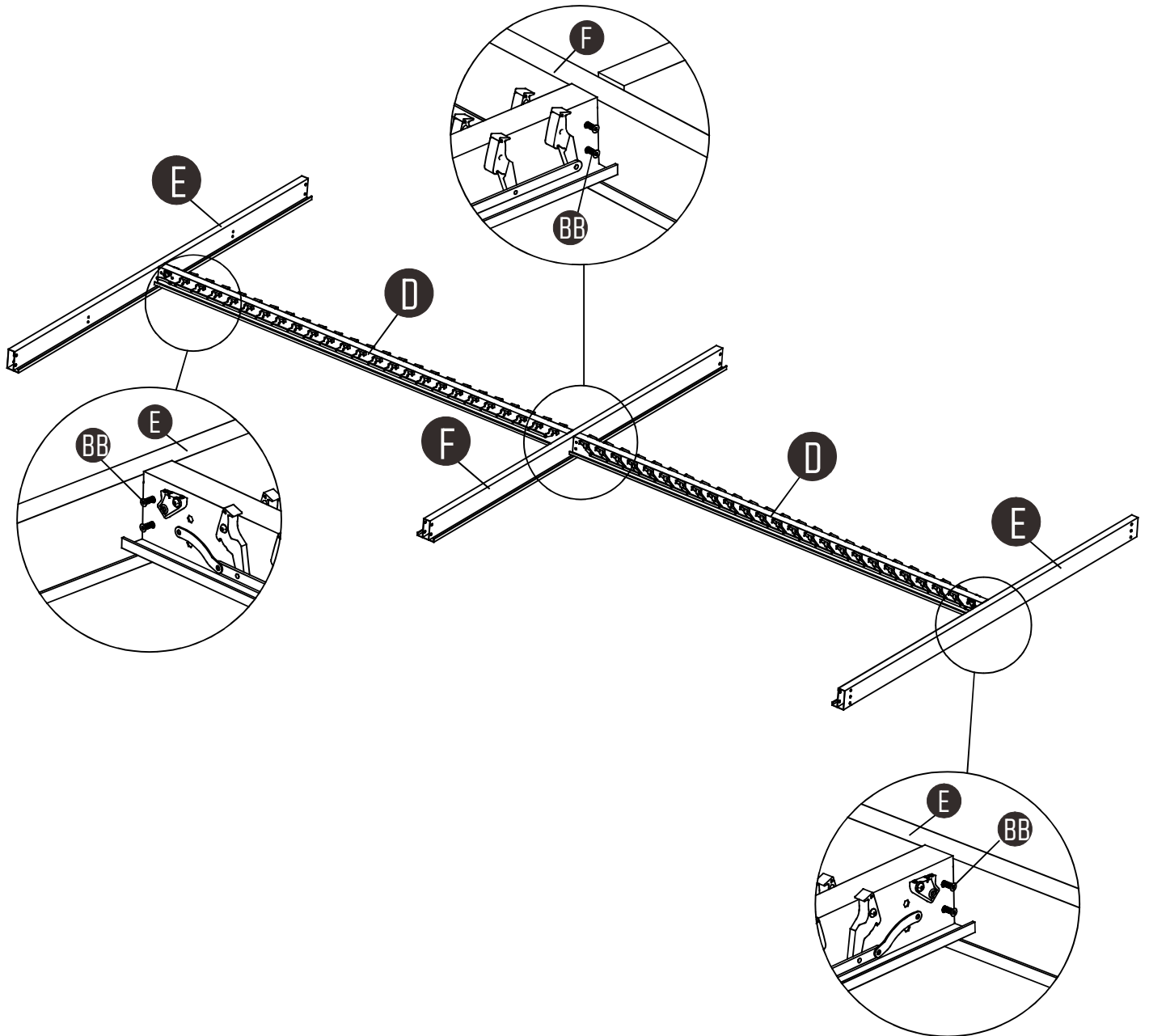
## 5

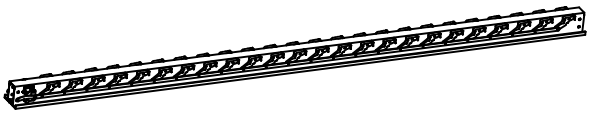
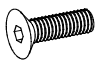
Attach roof profile bracket(L) on the roof profile (E) and (F) each, fasten with screw(AA).



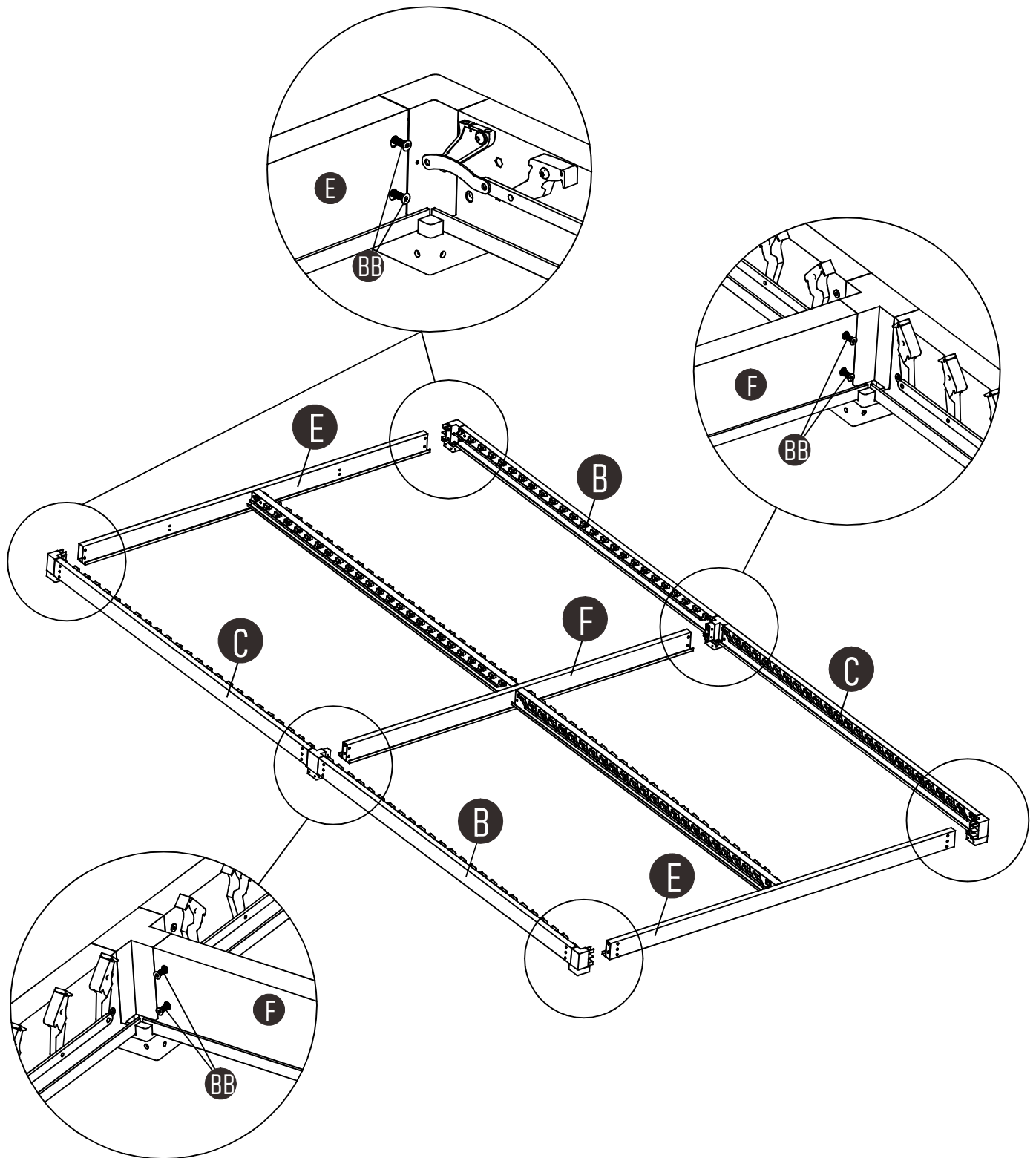
E	2		L	4	
F	1		AA	16	M6*20

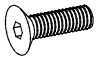
**6** Connect roof profile(E), (F) and louver mount(D) together by roof profile connector(L) with screw(BB) as shown.



D	2		BB	16	 M6*15
---	---	---	----	----	---

## 7 Connect all roof profiles together with screws (BB) as shown and fasten them.



BB	16	 M6*15	
----	----	---	--

# Assembly

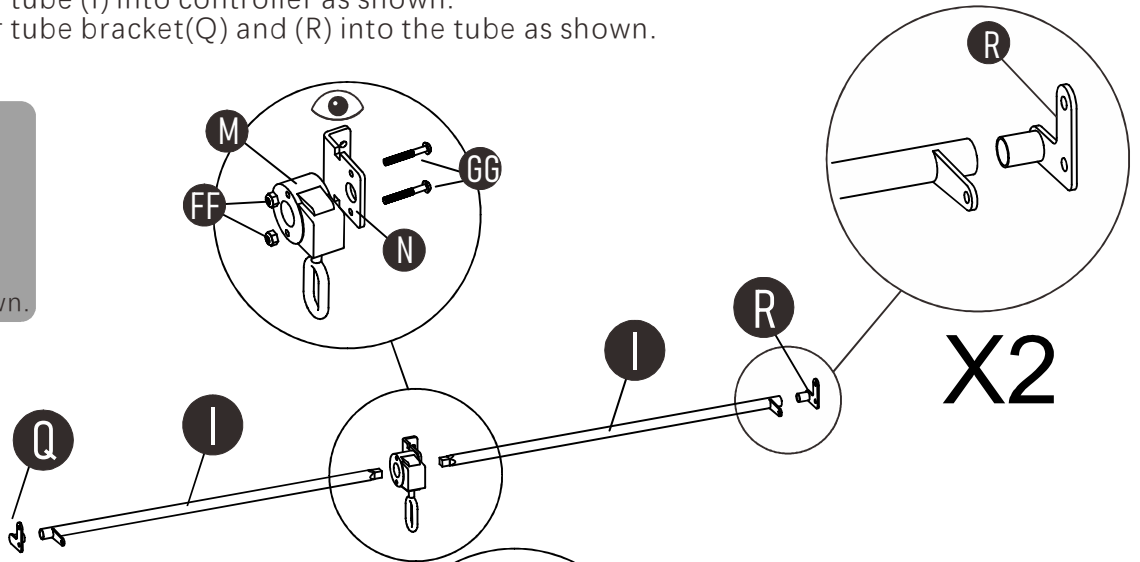
## 8

Attach the controller(M) with controller bracket(N),fasten with screws(GG) and nuts(FF).  
 Insert controller tube (I) into controller as shown.  
 Insert controller tube bracket(Q) and (R) into the tube as shown.



### IMPORTANT:

Make sure the controller bracket(N) installed in correct direction as shown.

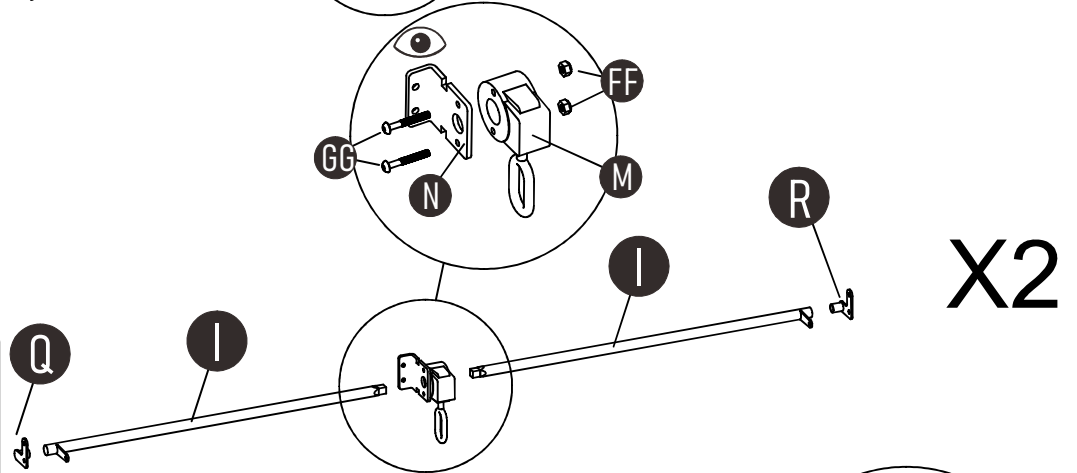


X2

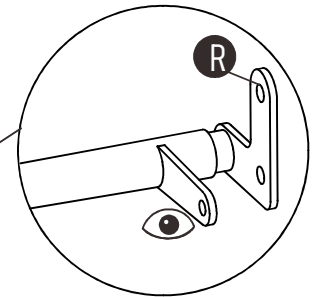
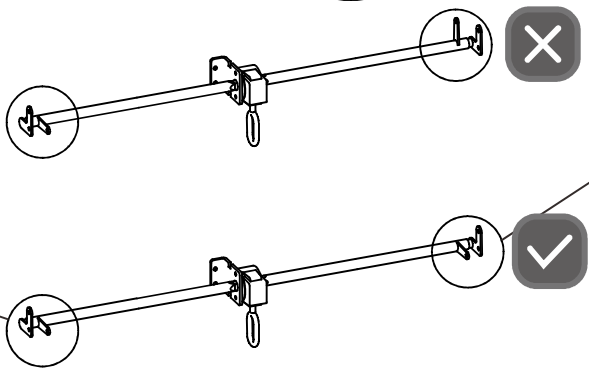
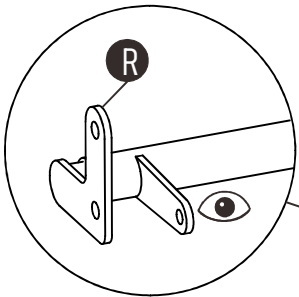


### ATTENTION:

The lower connectors (Q) and (R) installed in correct direction as shown.



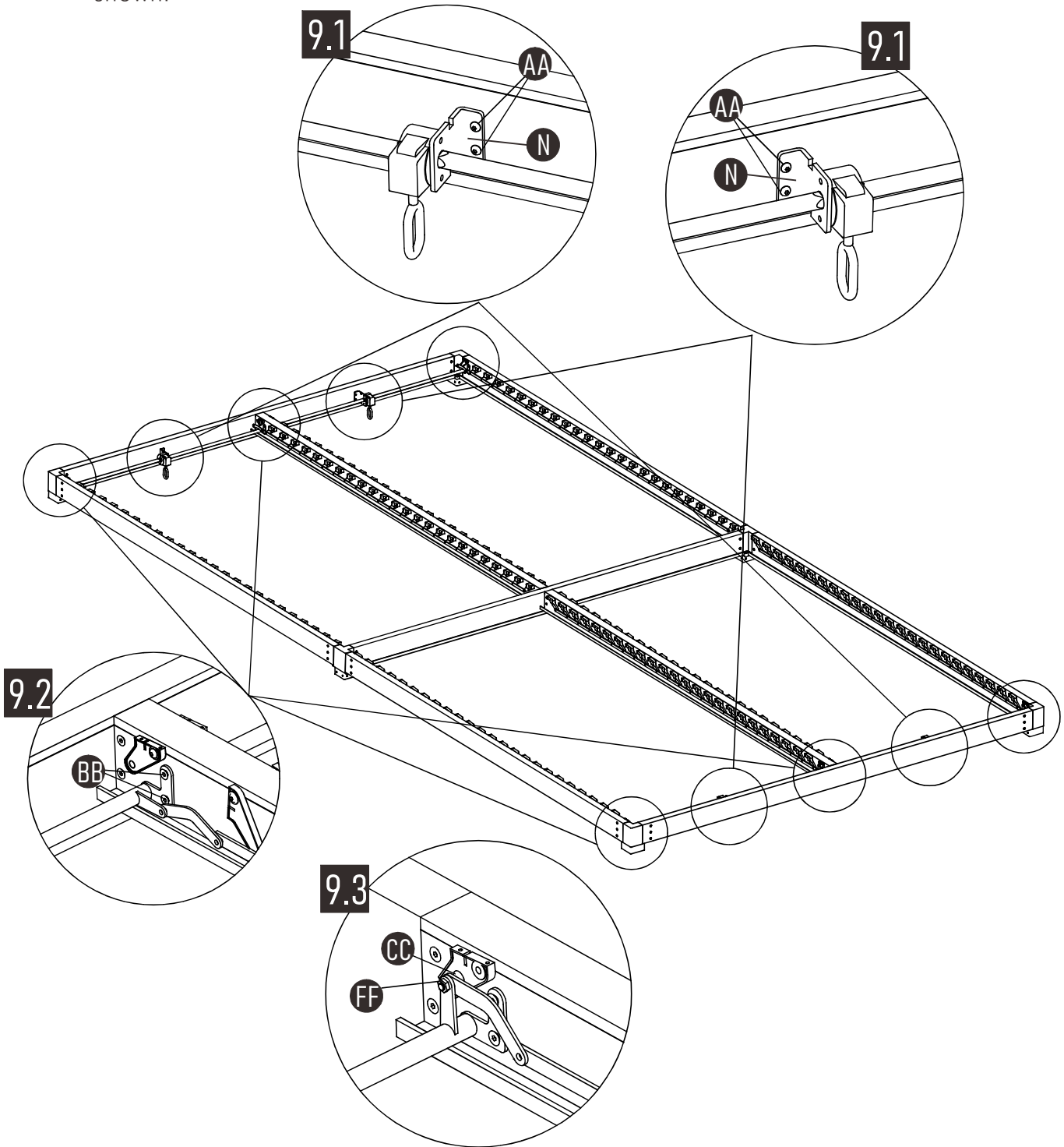
X2




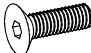


I	8		M	4	
Q	4		N	4	
R	4		GG	8	
FF	8				

## 9

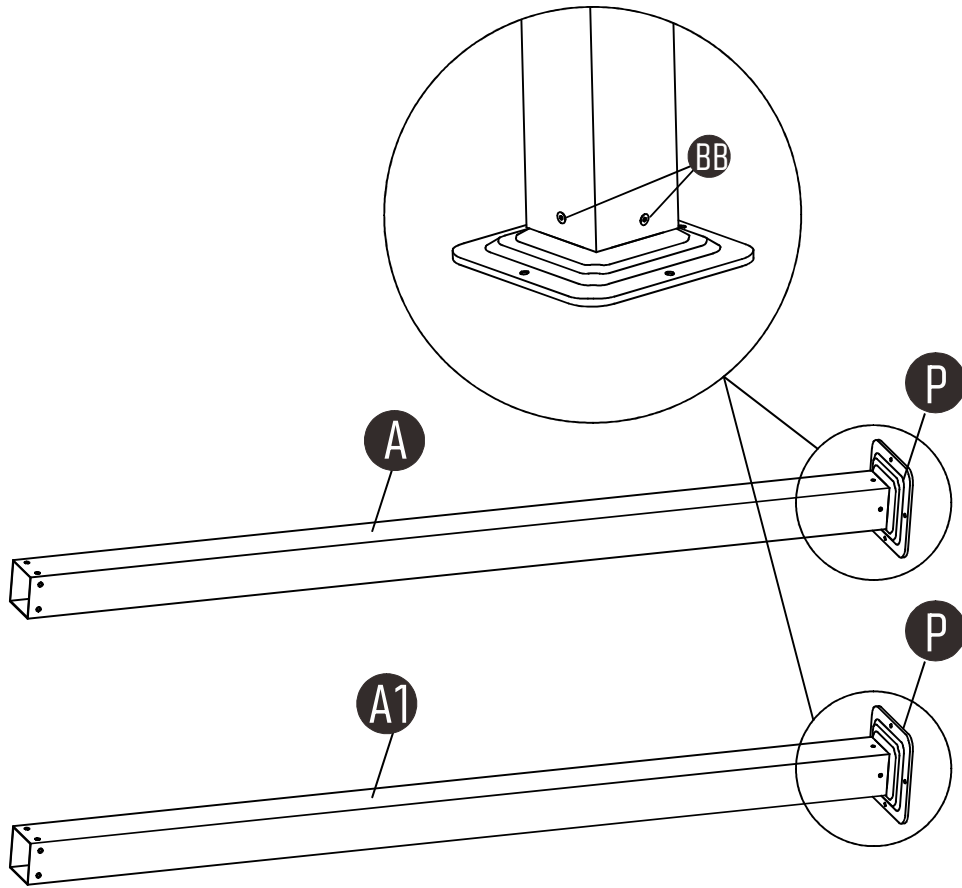
- 9.1 Attach the controller bracket (N) on the roof profiles as shown with screws(AA) and fasten them.
- 9.2 Attach the controller tube bracket (R) and (Q) to the roof profiles with screws (BB) as shown and fasten them.
- 9.3 Connect the controller tube to the louver puller together with screws (CC) and nuts (BB) as shown.

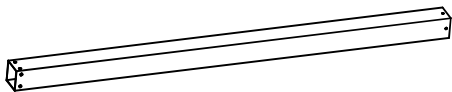
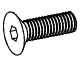
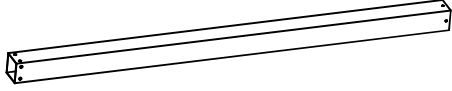



AA	8	 M6*20	BB	16	 M6*15
FF	8		CC	8	 M6*13

## 10

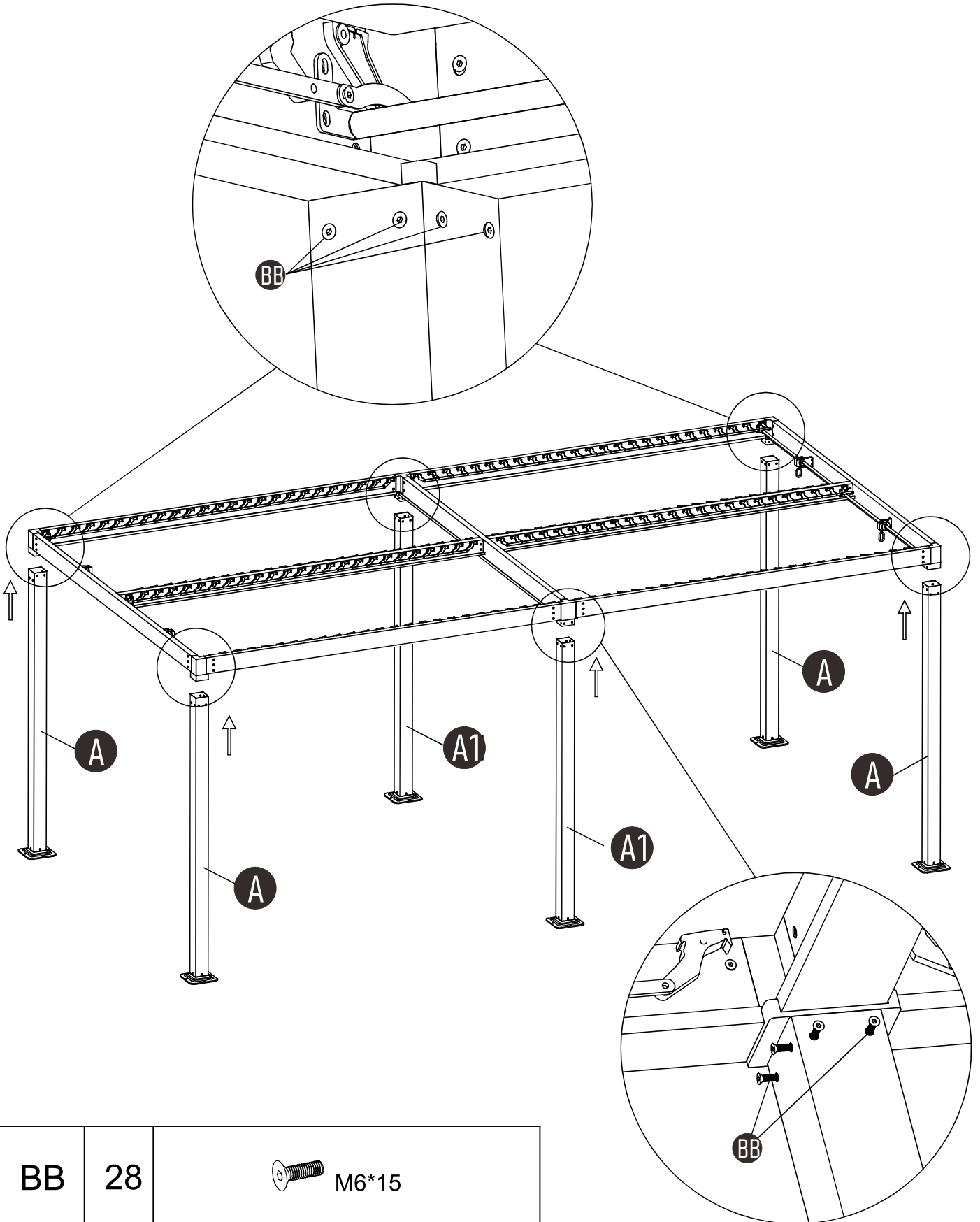
Attach the post (A) and (A1) to support plates(P) as shown, using screws (BB) for each plate.




A	4		BB	24	 M6*15
A1	2				
P	6				

## 11

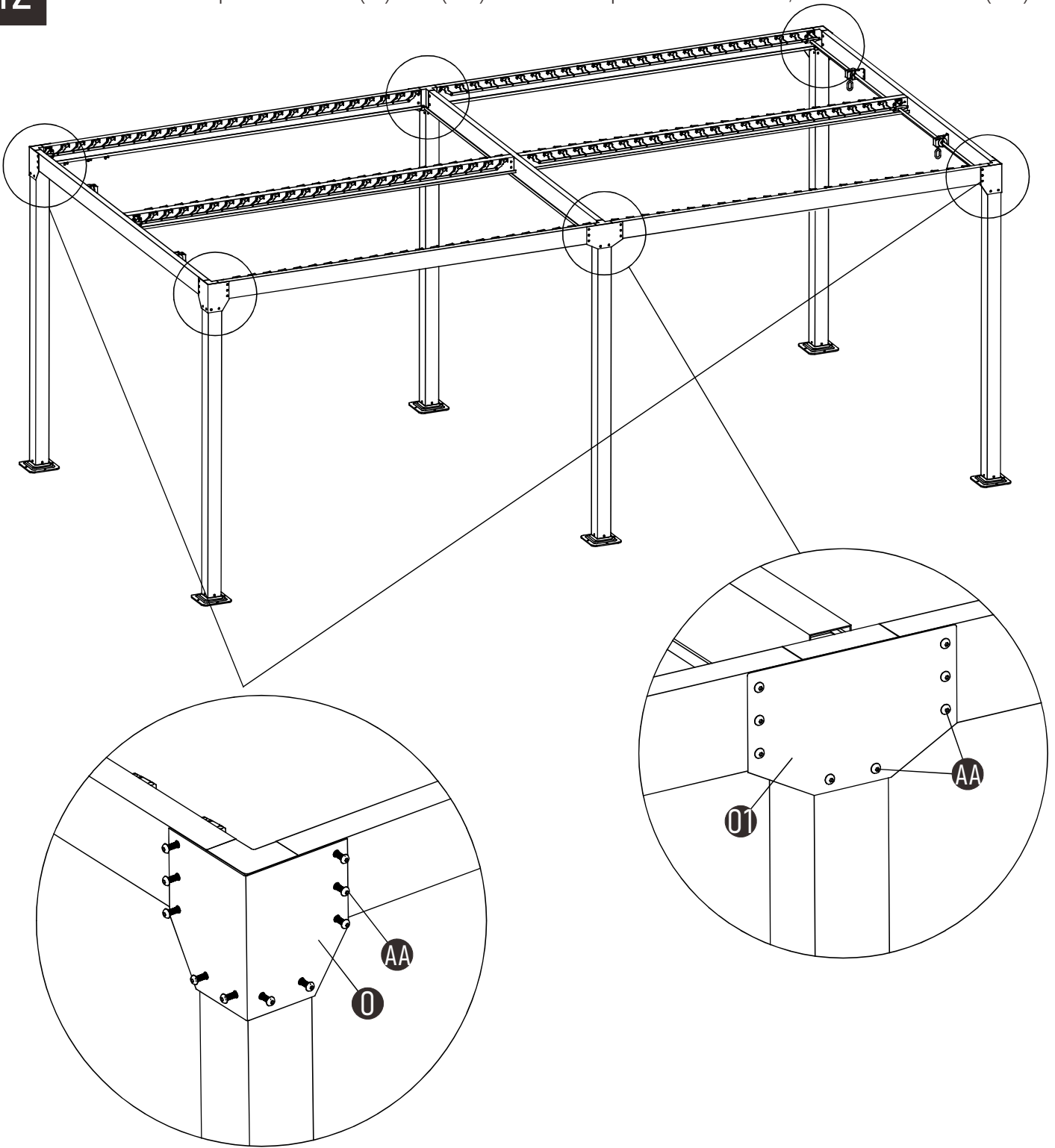
Insert the post (A) and(A1) to the roof corner profiles as shown and fasten them with screws (BB).

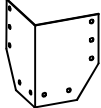
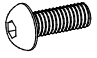
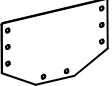


BB	28	 M6*15
----	----	---

## 12

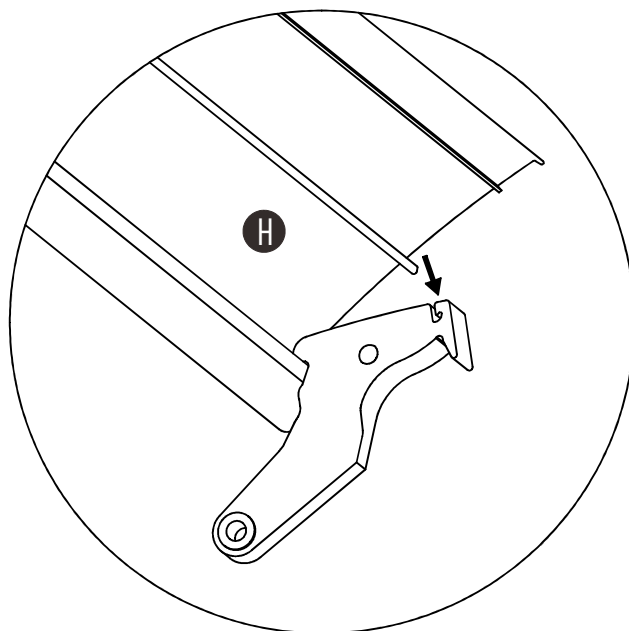
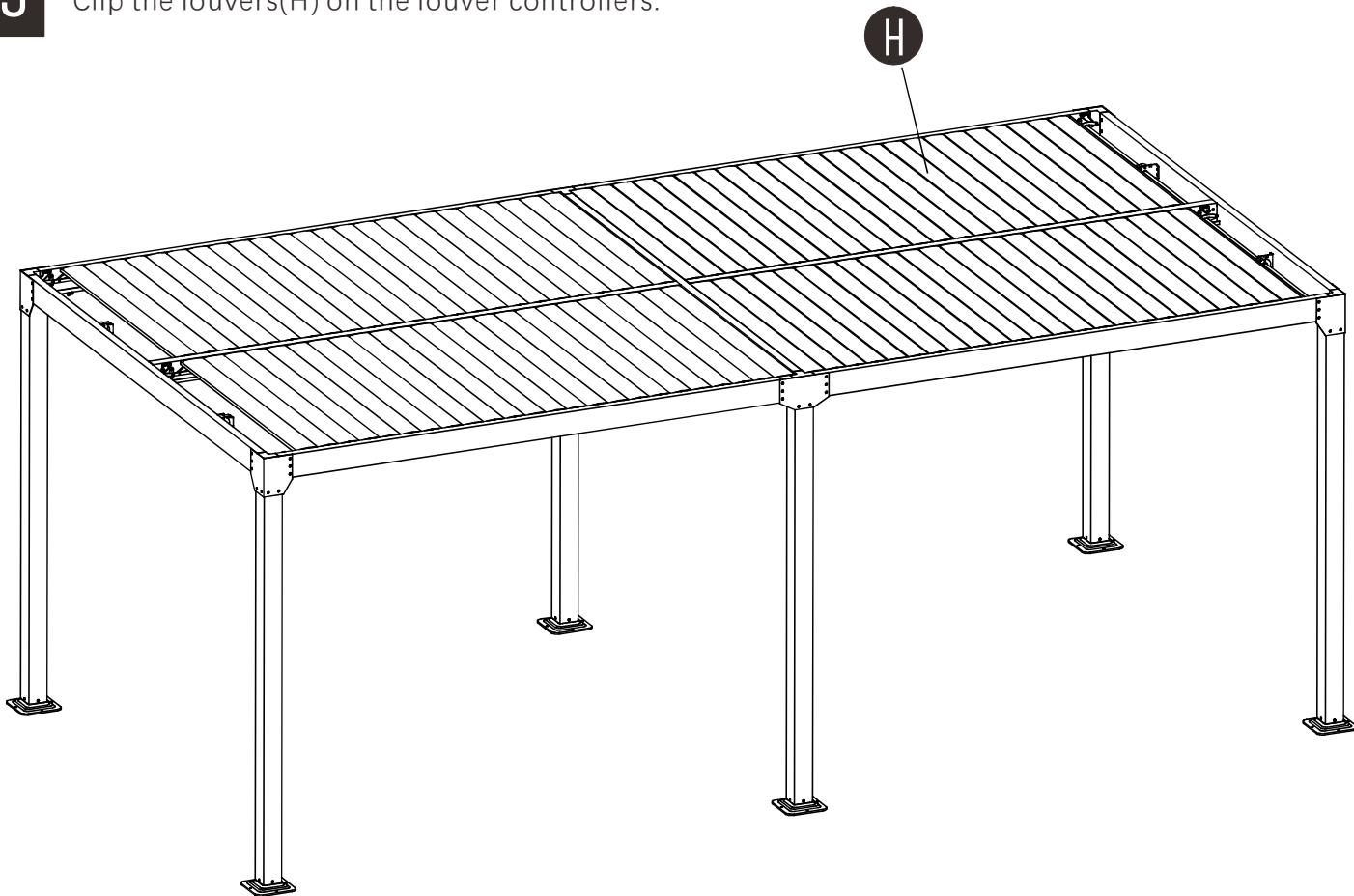
Attach the roof profile covers(O) and (O1) on the roof profiles as shown, fasten with screws(AA).

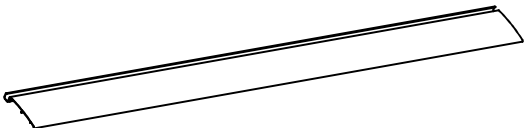


O	4		AA	56	 M6*20
O1	2				

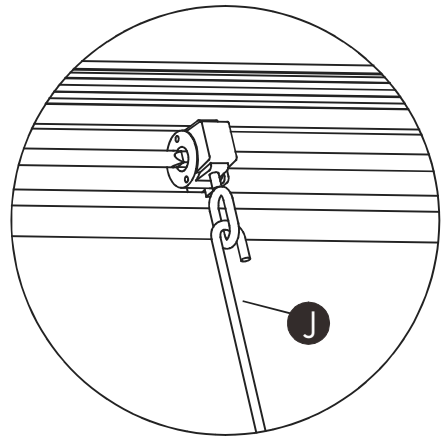
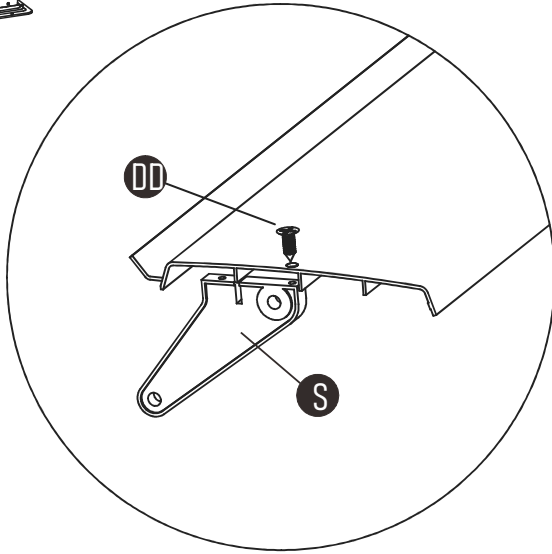
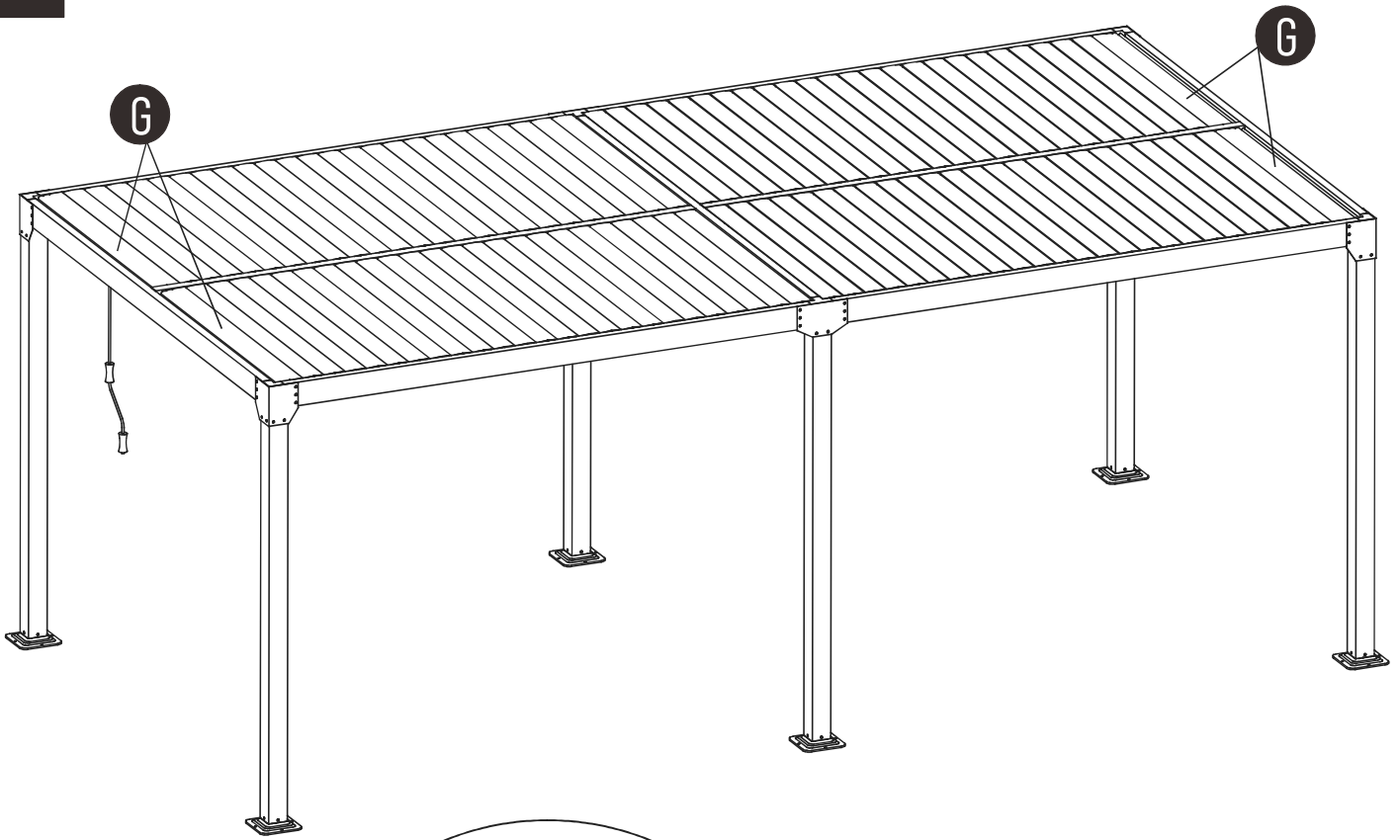
## 13



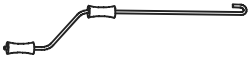
Clip the louvers(H) on the louver controllers.



H	96	
---	----	---

**14** Fasten the louvers on the louver controllers(S) with screw(DD) for each side as shown.

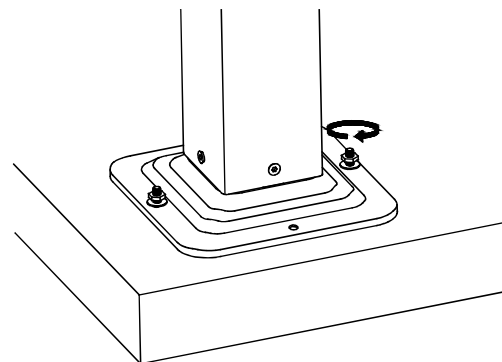
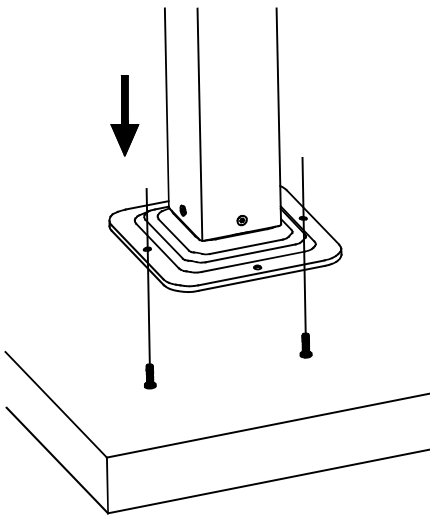
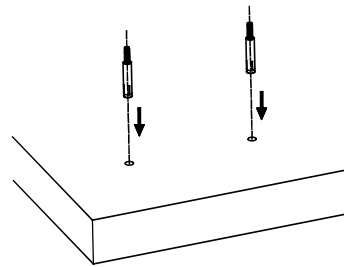
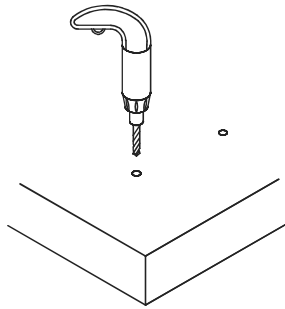
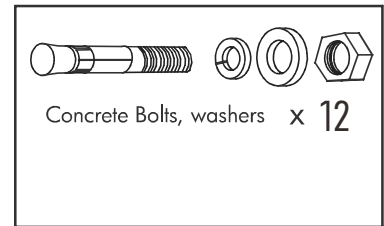


G	4		DD	8	 M4*12
J	1				

## Securing the Gazebo to a Concrete Floor or Wood Deck

### Concrete Floor:

1. Using a concrete drill, drill holes into the concrete floor, corresponding to the holes in support plates
2. Insert concrete bolts into the holes and hammer into place, using a mallet.
3. Fasten concrete bolts with washers and nuts.



### Wood Deck:

1. Using an electric wood drill, drill holes into the wood floor, corresponding to the holes in support plates
2. Insert wood screws with washers (not supplied) into the holes and fasten, using an electric screw driver.



Please don't hesitate to contact us for any further questions,  
your satisfaction is guaranteed.

[customerservice@aoodor.com](mailto:customerservice@aoodor.com)

<https://www.aoodor.com/>