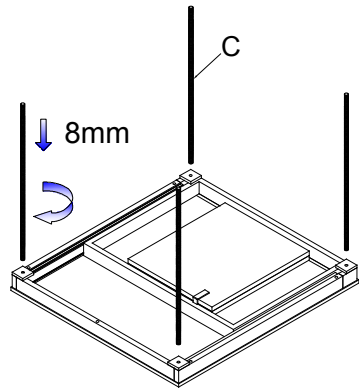
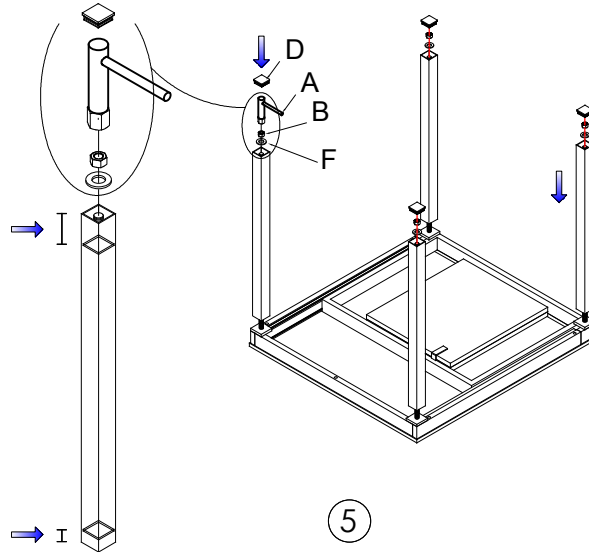


GLASS TOP / TOP IN VETRO

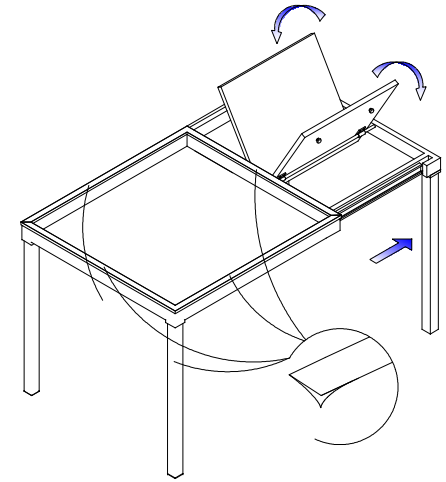
1



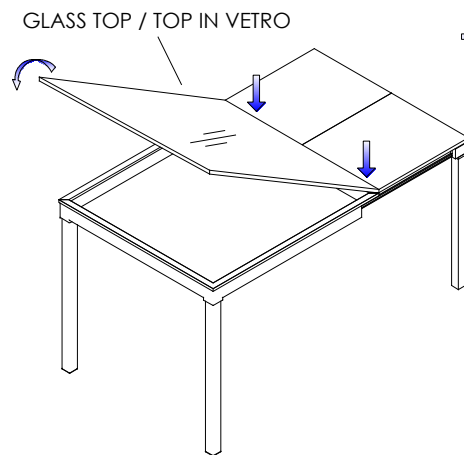
2



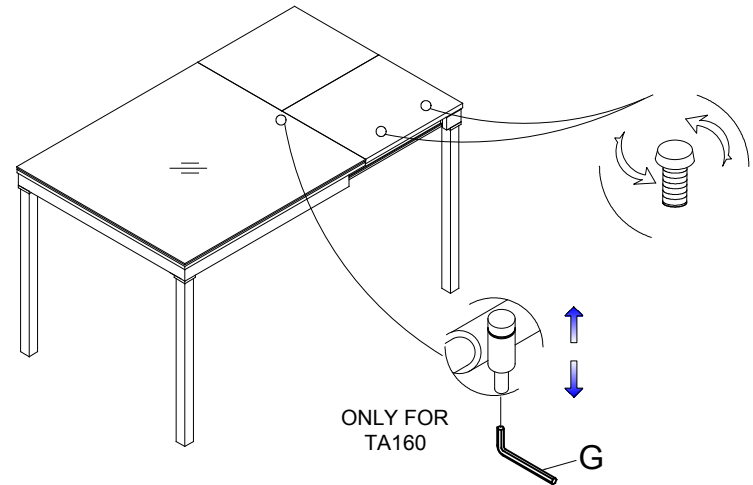
3



4



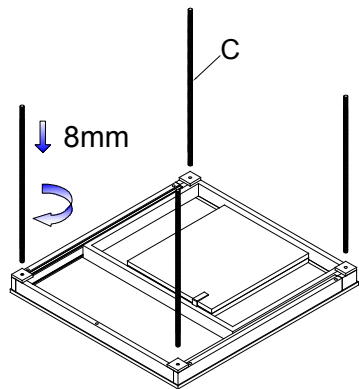
5



		A	B	C	D	E	F	G	H	I	J	K
			 M8	 M8x660mm		 5x70mm		 ONLY FOR TA160 3mm	 4mm		 3mm	 1mm
X2	X2	X1	X4	X4	X4	X5	X4	X1	X1	X1	X5	X5

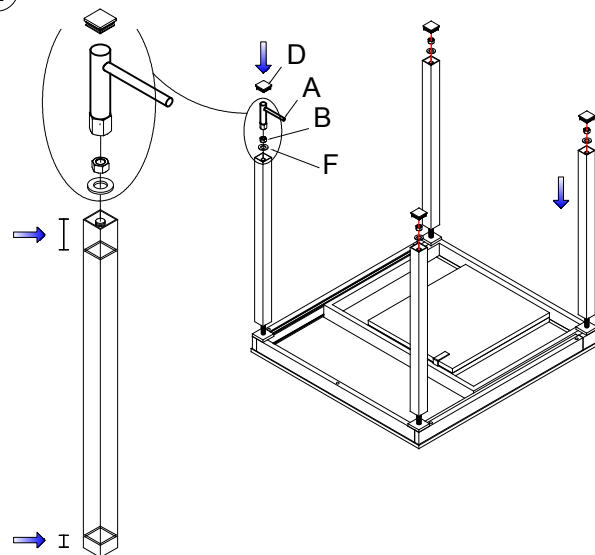
LAMINATE TOP / TOP IN LAMINATO

1



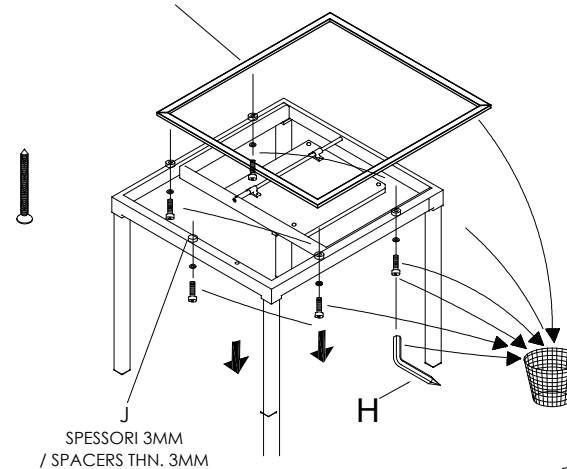
LAMINATE TOP / TOP LAMINATO

2



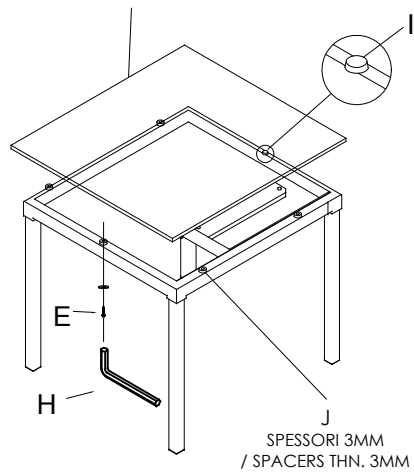
3

TAKE OFF THIS FRAME /
TOGLIERE LA CORNICE



SPESSORI 3MM
/ SPACERS THN. 3MM

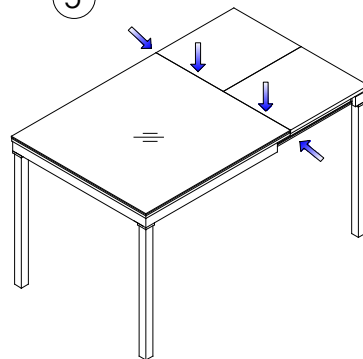
4



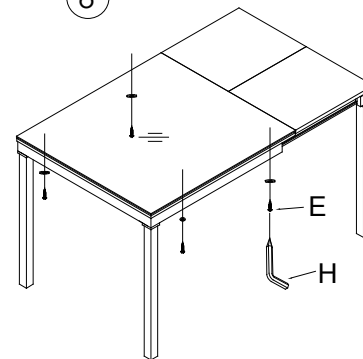
SPESSORI 3MM
/ SPACERS THN. 3MM

Ripartire il piano in parti uguali sulla struttura chiusa.
Fissare solo una vite.
Position the top ensuring that, all around, the same
distance is kept from the frame. Fix just one screw.

5

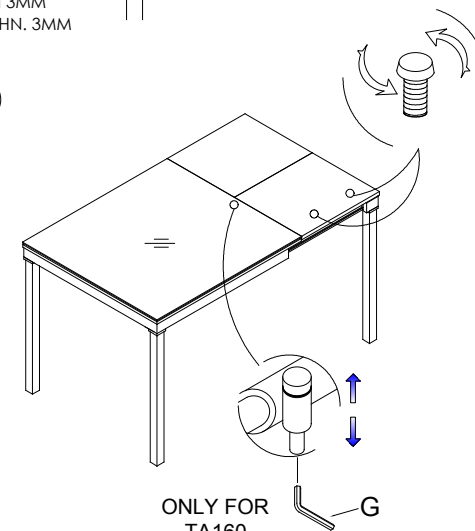


6



Fissare il resto delle viti.
Fix the rest of the screws.

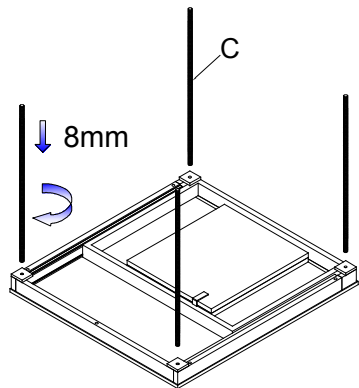
7



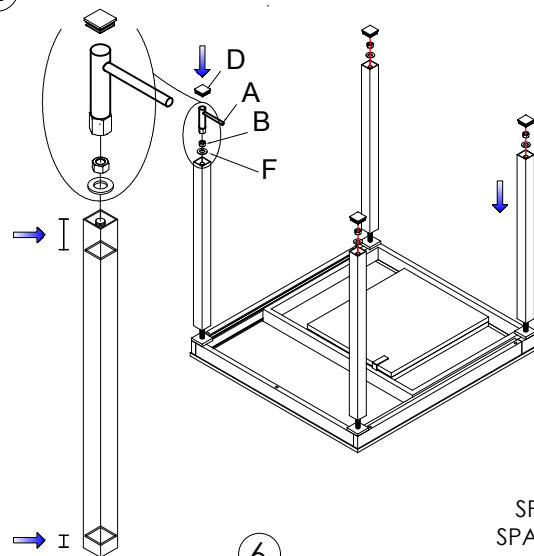
ONLY FOR
TA160

GRES TOP / TOP IN GRES

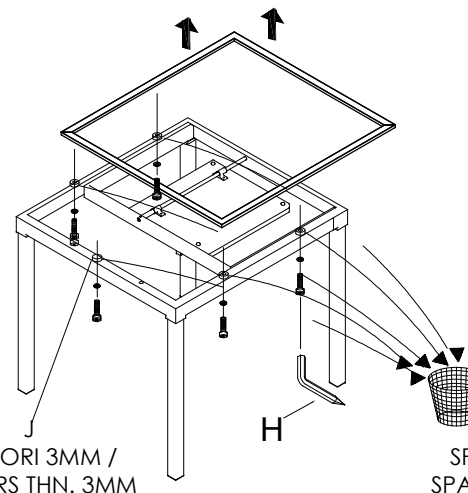
1



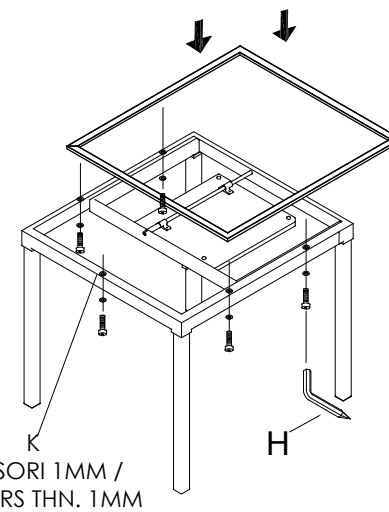
2



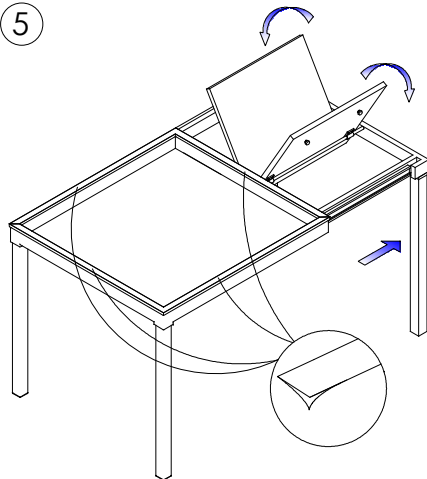
3



4

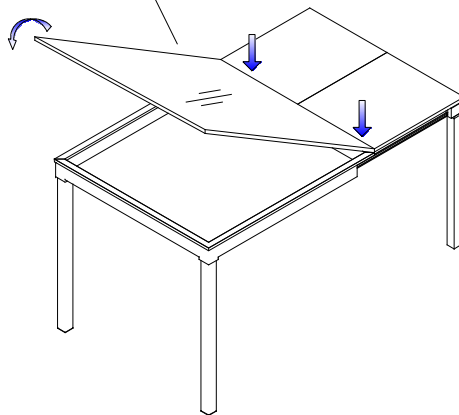


5



6

GRES TOP / TOP IN GRES



7

